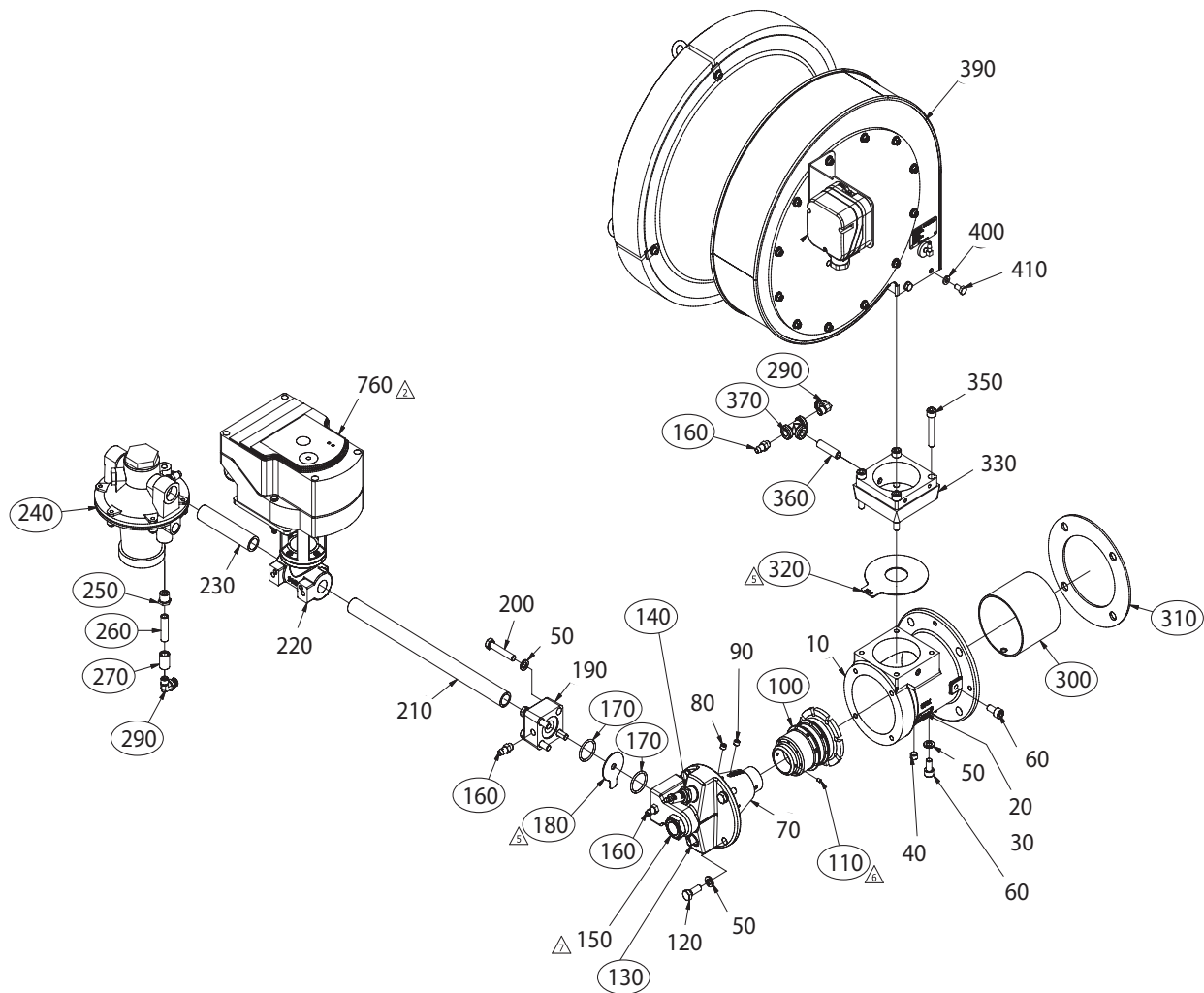


Eclipse ImmersoPak Burners

Spare Parts List 360-1
8/29/2016

Model IP004
Version 4



Ref	Part Number	Description
100	7033-2	Nozzle (Cast Iron)
110	19969	Set Screw for Nozzle
130	10002242-1	Flamerod
140	23045	Igniter
160	13445	Pressure Tap
170	14777	O-Ring for Gas Block (26.6mm Diameter)
180	14191-17	Butane Orifice Plate for Modulating Air (8.4mm)
180	14191-17	Natural Gas Orifice Plate for Fixed Air (8.4mm)

Ref	Part Number	Description
180	14191-19	Butane Orifice Plate for Fixed Air (5.8mm)
180	14191-35	Natural Gas Orifice Plate for Modulating Air (11.0mm)
180	14191-39	Propane Orifice Plate for Modulating Air (8.7mm)
180	14191-5	Propane Orifice Plate for Fixed Air (8.7mm)
240	KS03155170	Ratio Regulator (Rp 0.5)
240	KS03155176	Ratio Regulator (1/2" NPT)
250	18501	Bushing for Ratio Regulator Impulse Line

Ref	Part Number	Description
260	18112N	Pipe Nipple for Ratio Regulator Impulse Line
270	18552	Coupling for Ratio Regulator Impulse Line
290	1494	Elbow Fitting for Braided Stainless Steel
300	14887-13	Alloy Combustor
310	17054	Burner Body to Wall Mounting Gasket
320	101029867	Air Orifice Plate for Modulating Air (35.0mm)
320	14188-24	Air Orifice Plate for Fixed Air (32.0mm)
360	18684	Pipe Nipple for Ratio Regulator Impulse Line
370	19160	Threaded Tee for Impulse Line
N/S	14689	Elbow Fitting for Plastic Impulse Line
N/S	20606	Grommet for Air Pressure Tap
N/S	20658	Fitting for Air Pressure Tap
N/S	21197	Elbow Fitting for Plastic Air Switch Line
N/S	14685	Fitting for Plastic Air Switch Line
N/S	24844	Fitting for Braided Air Switch Line
N/S	015991-02	Braided Stainless Steel Air Switch Line (600mm)
N/S	34505	Plastic Air Pressure Switch Line (600mm)
N/S	015991-03	Braided Stainless Steel Impulse Line (900mm)
N/S	34505	Plastic Impulse Line (900mm)