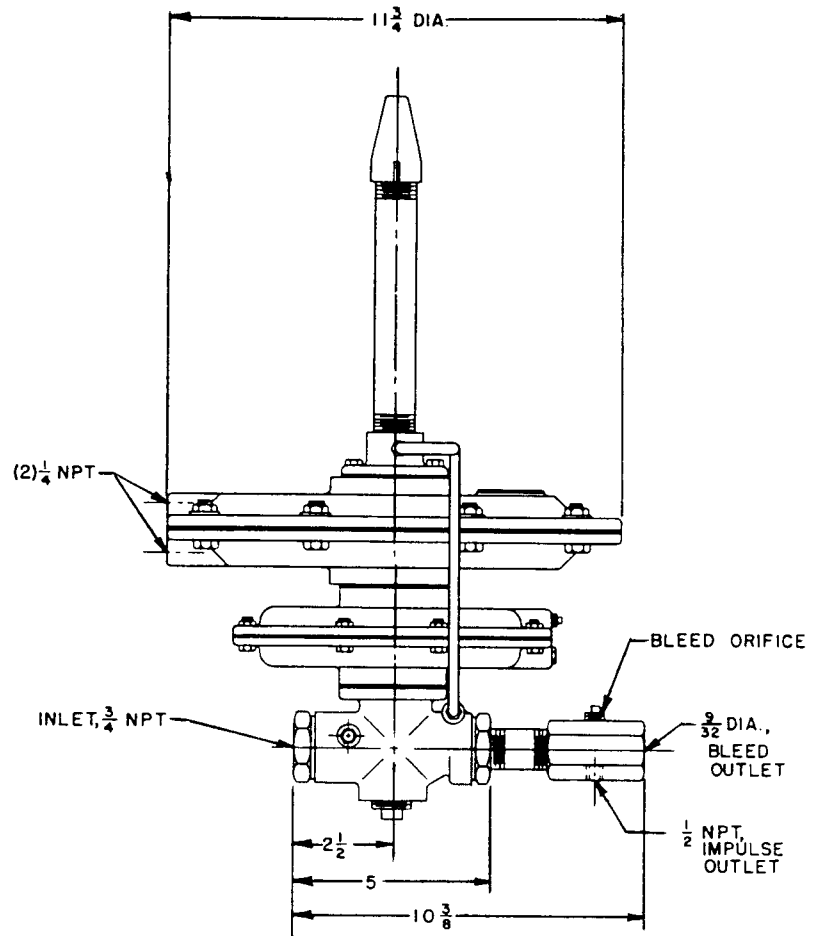
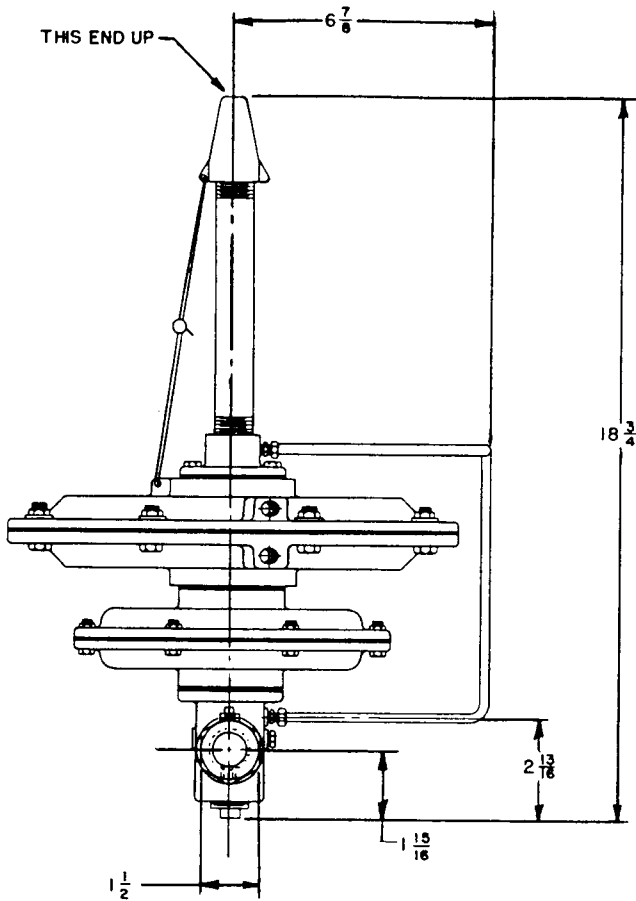




DIMENSIONS

PCR PILOT CONTROL REGULATOR



NOTE:

SPRING HOUSING MUST BE PERPENDICULAR TO PIPE RUN IN AN UPRIGHT POSITION.
PIPE RUN MUST BE LEVEL.

GX3303