

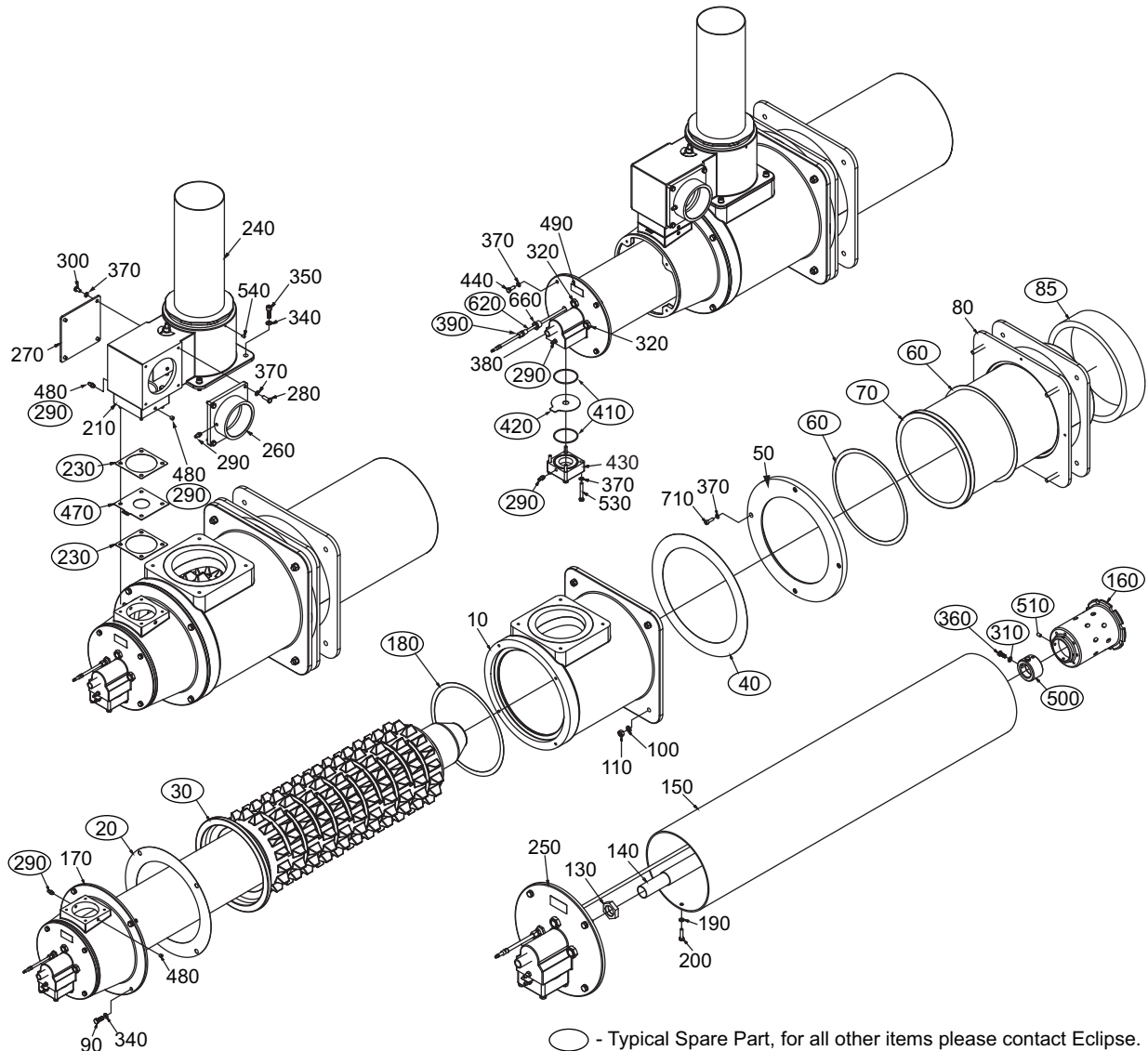
Eclipse ThermJet Self-Recuperative Burner

Spare Parts List 208-4

2/4/2013

Model TJSR0100

Version 5.6



Ref	Part Number	Description
20	10052344	Air Inlet Housing to Exhaust Housing Gasket
30	10050775	Combustor
40	10052347	Exhaust Housing to Adapter Plate Gasket
60	10052346	Recuperation Tube Gasket
70	10052348	Recuperation Tube
85	10052387	Mounting Extension Insulation (50mm)
85	10052388	Mounting Extension Insulation (75mm)
85	10052389	Mounting Extension Insulation (100mm)
85	10052390	Mounting Extension Insulation (125mm)
85	10052391	Mounting Extension Insulation (150mm)
85	10052392	Mounting Extension Insulation (175mm)

Ref	Part Number	Description
85	10052393	Mounting Extension Insulation (200mm)
85	10052394	Mounting Extension Insulation (225mm)
85	10052395	Mounting Extension Insulation (250mm)
160	10052513	Nozzle
160	101016053	Cooling Nozzle
180	10052345	Combustor to Exhaust Housing Gasket
230	10060716	Eductor Gasket
290	13445	Pressure Tap

(Continued on next page)

TJSR0100 Spare Parts List (*continued*)

Ref	Part Number	Description
310	10024357	Lock Washer (M6) for Nozzle
360	10052722	Bolt (M6 x 16)
390	150000-37	Igniter
410	14778	O-Ring for Fuel Orifice Plate (52.1mm)
420	14188-36	Orifice Plate for Natural Gas (18.5mm)
470	10052336	Orifice Plate for Eductor (49mm)
500	10052520	Nozzle Adapter
510	10024356	Set Screw (M6 x 10) for Nozzle
620	101016009	Spark Rod Cooling Tube
N/A	10056000	Spark Rod Cooling Hose