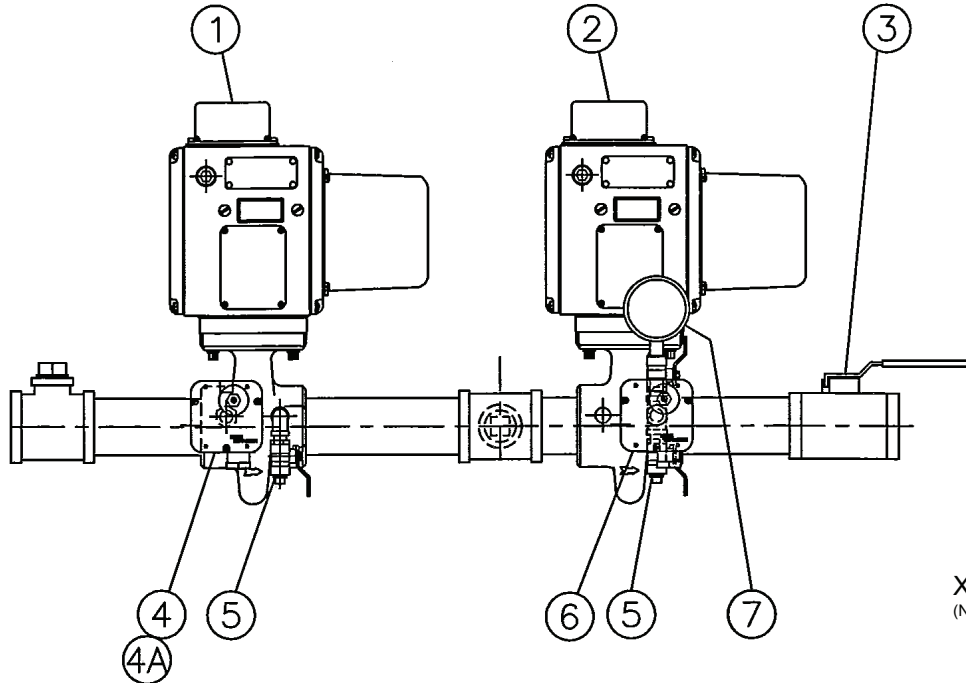




PARTS LIST

PGM PREPIPED GAS MANIFOLD INDUSTRIAL – MAXON PGM2107B – PGM2160B



X6987
(NOT TO SCALE)

| Key No. | Description | PGM2107B | PGM2110B | PGM2112B | PGM2115B | PGM2120B |
|---------|--------------------------------|----------|----------|----------|----------|----------|
| 1 | Valve, Main Safety Shutoff | 62913 | 62914 | 62955 | 20618 | 20619 |
| 2 | Valve, Blocking Safety Shutoff | 62913 | 62914 | 62955 | 20618 | 20619 |
| 3 | Valve, Leak Test Shutoff | 41607 | 41608 | 41609 | 41610 | 41611 |
| 4 | Switch, Low Gas Pressure | 84447832 | 84447832 | 84447832 | 84447832 | 84447832 |
| 4A | Snubber | 37354 | 37354 | 37354 | 37354 | 37354 |
| 5 | Cock, Leak Test | 15796 | 15796 | 15796 | 15796 | 15796 |
| 6 | Switch, High Gas Pressure | 84447842 | 84447842 | 84447842 | 84447842 | 84447842 |
| 7 | Gauge, Pressure 0-5 psig | 61254 | 61254 | 61254 | 61254 | 61254 |

| Key No. | Description | PGM2125B | PGM2130B | PGM2140B | PGM2160B |
|---------|--------------------------------|----------|----------|----------|----------|
| 1 | Valve, Main Safety Shutoff | 20620 | 20621 | 60689 | 60689 |
| 2 | Valve, Blocking Safety Shutoff | 20620 | 20621 | 60689 | 60689 |
| 3 | Valve, Leak Test Shutoff | 63160 | 63161 | 63162 | 63163 |
| 4 | Switch, Low Gas Pressure | 84447832 | 84447832 | 84447832 | 84447832 |
| 4A | Snubber | 37354 | 37354 | 37354 | 37354 |
| 5 | Cock, Leak Test | 15796 | 15796 | 15796 | 15796 |
| 6 | Switch, High Gas Pressure | 84447842 | 84447842 | 84447842 | 84447842 |
| 7 | Gauge, Pressure 0-5 psig | 61254 | 61254 | 61254 | 61254 |

NOTES:

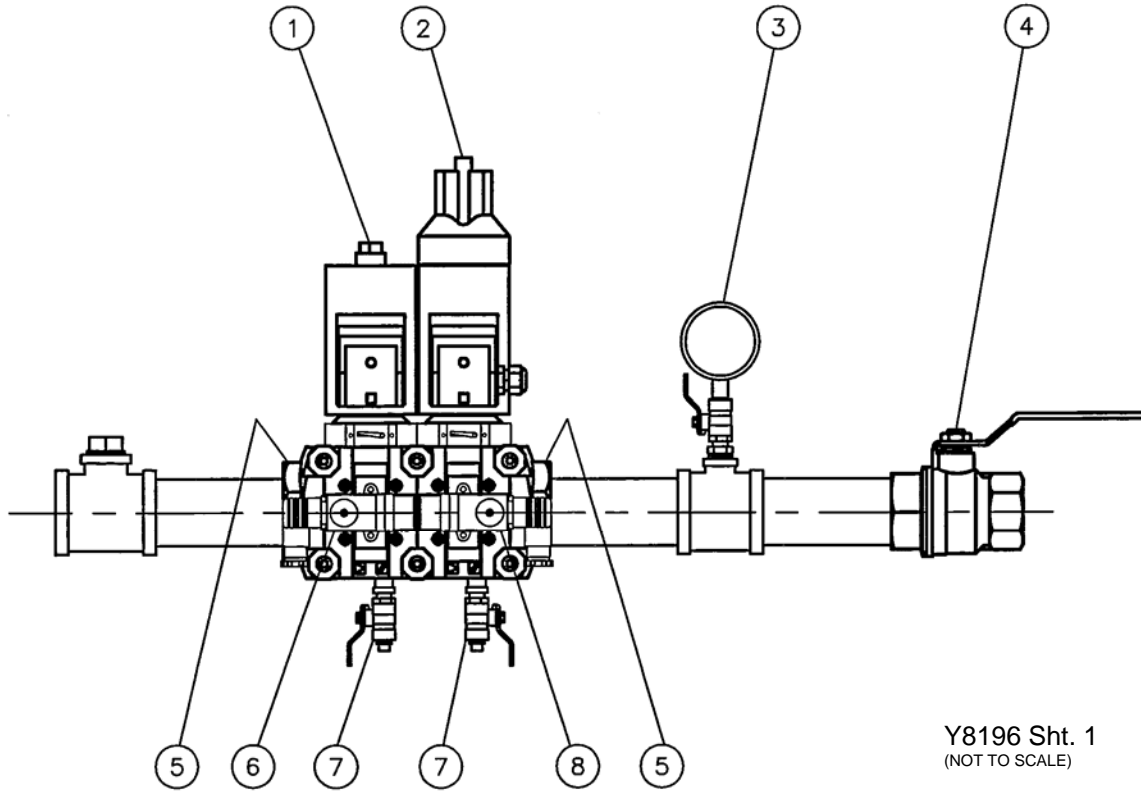
1. TO ENSURE COMPLIANCE TO NFPA 86 REQUIREMENTS, ADDITIONAL ITEMS SHALL BE INSTALLED UPSTREAM OF ALL PGMS – SEE REGULATOR GAS MANIFOLDS (RGMS).

This page left intentionally blank.



PARTS LIST

PGM PREPIPED GAS MANIFOLD INDUSTRIAL – KROMSCHRODER PGM2407 – PGM2460



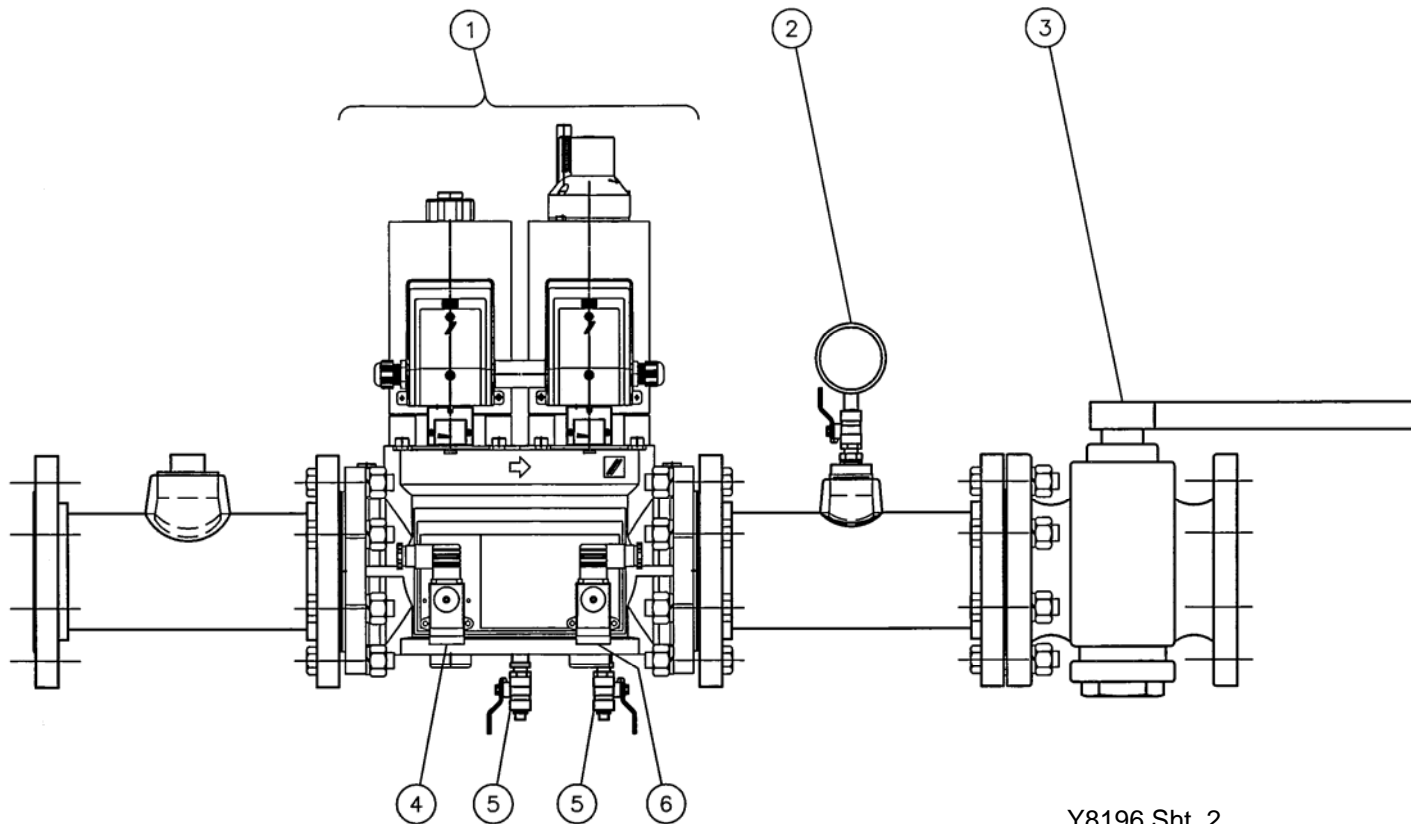
Y8196 Sht. 1
(NOT TO SCALE)

| Key No. | Description | PGM2407 | PGM2410 | PGM2412 | PGM2415 | PGM2420 |
|---------|-------------------------------------|----------|----------|----------|----------|----------|
| 1 | Valve Body, Main Safety Shutoff | 88003766 | 88003768 | 88003768 | 88003765 | 88003765 |
| 2 | Valve Body, Blocking Safety Shutoff | 88003767 | 88003769 | 88003769 | 88003764 | 88003764 |
| 3 | Gauge, Pressure | 61254 | 61254 | 61254 | 61254 | 61254 |
| 4 | Valve, Leak Test Shutoff | 41607 | 41608 | 41609 | 41610 | 41611 |
| 5 | Flange, Valve Body | 74922646 | 74922648 | 74922649 | 74922652 | 74922653 |
| 6 | Switch, Low Gas Pressure | 75454585 | 75454585 | 75454585 | 75454585 | 75454585 |
| 7 | Cock, Leak Test | 15796 | 15796 | 15796 | 15796 | 15796 |
| 8 | Switch, High Gas Pressure | 75454586 | 75454586 | 75454586 | 75454586 | 75454586 |

NOTES:

1. TO ENSURE COMPLIANCE TO NFPA 86 REQUIREMENTS, ADDITIONAL ITEMS SHALL BE INSTALLED UPSTREAM OF ALL PGMS – SEE REGULATOR GAS MANIFOLDS (RGMS).

(OVER)



Y8196 Sht. 2
(NOT TO SCALE)

Key

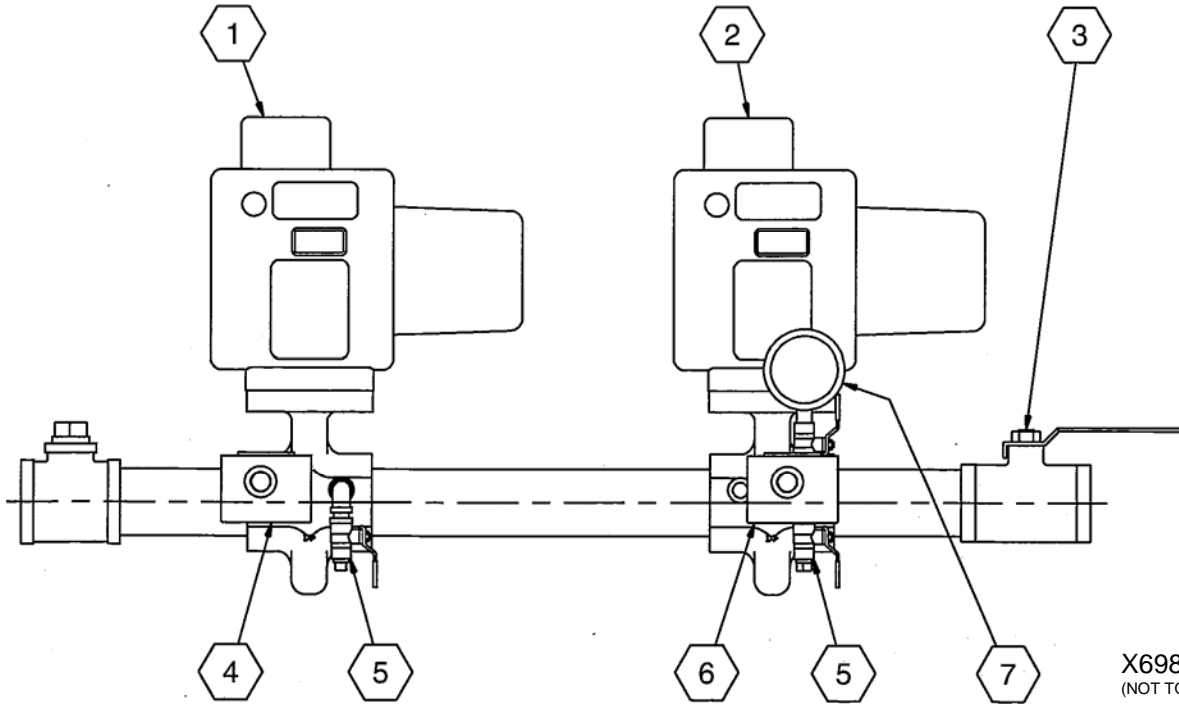
| Key No. | Description | PGM2425 | PGM2430 | PGM2440 | PGM2460 |
|---------|--|----------|----------|----------|----------|
| 1 | Valve Assembly, Main & Blocking Safety Shutoff | 88203577 | 88203569 | 88203578 | 88203579 |
| 2 | Gauge, Pressure | 61254 | 61254 | 61254 | 61254 |
| 3 | Valve, Leak Test Shutoff | 63160 | 63161 | 63162 | 63163 |
| 4 | Switch, Low Gas Pressure | 75454585 | 75454585 | 75454585 | 75454585 |
| 5 | Cock, Leak Test | 15796 | 15796 | 15796 | 15796 |
| 6 | Switch, High Gas Pressure | 75454586 | 75454586 | 75454586 | 75454586 |

NOTES:

1. TO ENSURE COMPLIANCE TO NFPA 86 REQUIREMENTS, ADDITIONAL ITEMS SHALL BE INSTALLED UPSTREAM OF ALL PGMs - SEE REGULATOR GAS MANIFOLDS (RGMS).



**PGM PREPIPED GAS MANIFOLD
ASPHALT - MAXON
PGM3120B - PGM3160XB**



X6989
(NOT TO SCALE)

| Key No. | Description | PGM3120B | PGM3125B | PGM3130B |
|---------|--------------------------------|----------|----------|----------|
| 1 | Valve, Main Safety Shutoff | 20619 | 20620 | 20621 |
| 2 | Valve, Blocking Safety Shutoff | 20619 | 20620 | 20621 |
| 3 | Valve, Leak Test Shutoff | 41611 | 63160 | 63161 |
| 4 | Switch, Low Gas Pressure | 302981 | 302981 | 302981 |
| 5 | Cock, Leak Test | 15796 | 15796 | 15796 |
| 6 | Switch, High Gas Pressure | 302981 | 302981 | 302981 |
| 7 | Gauge, Pressure 0-15 psig | 12528 | 12528 | 12528 |

| Key No. | Description | PGM3140B | PGM3160B | PGM3160XB |
|---------|--------------------------------|----------|----------|-----------|
| 1 | Valve, Main Safety Shutoff | 60689 | 60689 | 54802 |
| 2 | Valve, Blocking Safety Shutoff | 60689 | 60689 | 54802 |
| 3 | Valve, Leak Test Shutoff | 63162 | 63163 | 63163 |
| 4 | Switch, Low Gas Pressure | 302981 | 302981 | 302981 |
| 5 | Cock, Leak Test | 15796 | 15796 | 15796 |
| 6 | Switch, High Gas Pressure | 302981 | 302981 | 302981 |
| 7 | Gauge, Pressure 0-15 psig | 12528 | 12528 | 12528 |

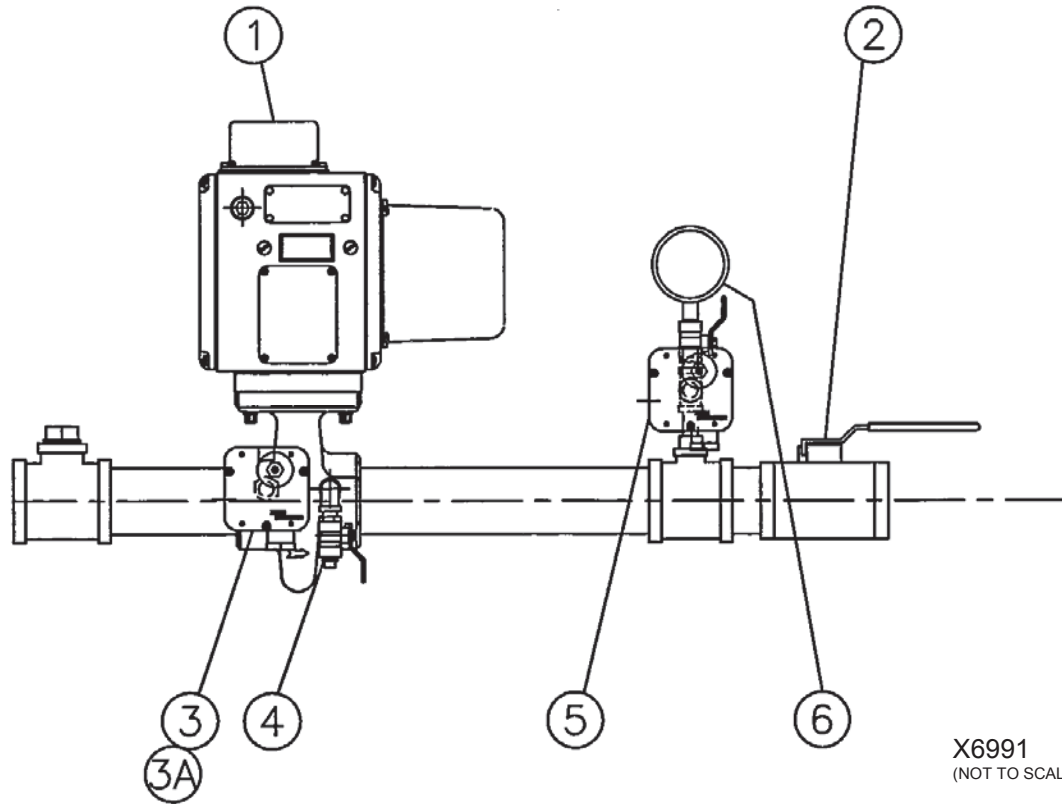
NOTE: 1. TO ENSURE COMPLIANCE TO NFPA 86 REQUIRMENTS, ADDITIONAL ITEMS SHALL BE INSTALLED UPSTREAM OF ALL PGMs - SEE REGULATOR GAS MANIFOLDS (RGM'S).

This page left intentionally blank.



PARTS LIST

PGM PREPIPED GAS MANIFOLD INDUSTRIAL – MAXON PGM6107 – PGM6160



X6991
(NOT TO SCALE)

Key

| No. | Description | PGM6107 | PGM6110 | PGM6112 | PGM6115 | PGM6120 |
|-----|----------------------------|----------|----------|----------|----------|----------|
| 1 | Valve, Main Safety Shutoff | 62913 | 62914 | 62955 | 20618 | 20619 |
| 2 | Valve, Leak Test Shutoff | 41607 | 41608 | 41609 | 41610 | 41611 |
| 3 | Switch, Low Gas Pressure | 84447832 | 84447832 | 84447832 | 84447832 | 84447832 |
| 3A | Snubber | 37354 | 37354 | 37354 | 37354 | 37354 |
| 4 | Cock, Leak Test | 15796 | 15796 | 15796 | 15796 | 15796 |
| 5 | Switch, High Gas Pressure | 84447842 | 84447842 | 84447842 | 84447842 | 84447842 |
| 6 | Gauge, Pressure 0-5 psig | 61254 | 61254 | 61254 | 61254 | 61254 |

Key

| No. | Description | PGM6125 | PGM6130 | PGM6140 | PGM6160 |
|-----|----------------------------|----------|----------|----------|----------|
| 1 | Valve, Main Safety Shutoff | 20620 | 20621 | 60689 | 60689 |
| 2 | Valve, Leak Test Shutoff | 63160 | 63161 | 63162 | 63163 |
| 3 | Switch, Low Gas Pressure | 84447832 | 84447832 | 84447832 | 84447832 |
| 3A | Snubber | 37354 | 37354 | 37354 | 37354 |
| 4 | Cock, Leak Test | 15796 | 15796 | 15796 | 15796 |
| 5 | Switch, High Gas Pressure | 84447842 | 84447842 | 84447842 | 84447842 |
| 6 | Gauge, Pressure 0-5 psig | 61254 | 61254 | 61254 | 61254 |

NOTES:

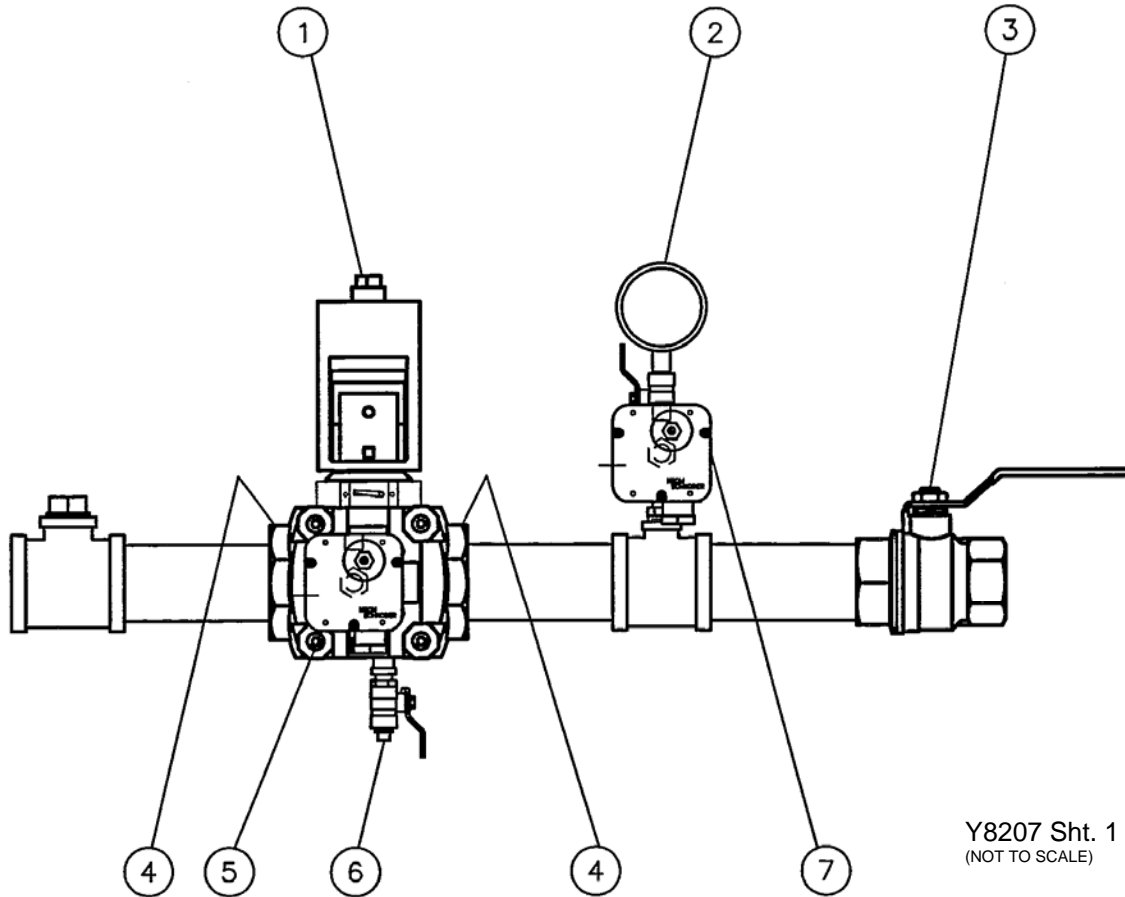
1. TO ENSURE COMPLIANCE TO NFPA 86 REQUIREMENTS, ADDITIONAL ITEMS SHALL BE INSTALLED UPSTREAM OF ALL PGMS – SEE REGULATOR GAS MANIFOLDS (RGMS).

This page left intentionally blank.



PARTS LIST

PGM PREPIPED GAS MANIFOLD INDUSTRIAL – KROMSCHRODER PGM6407 – PGM6460



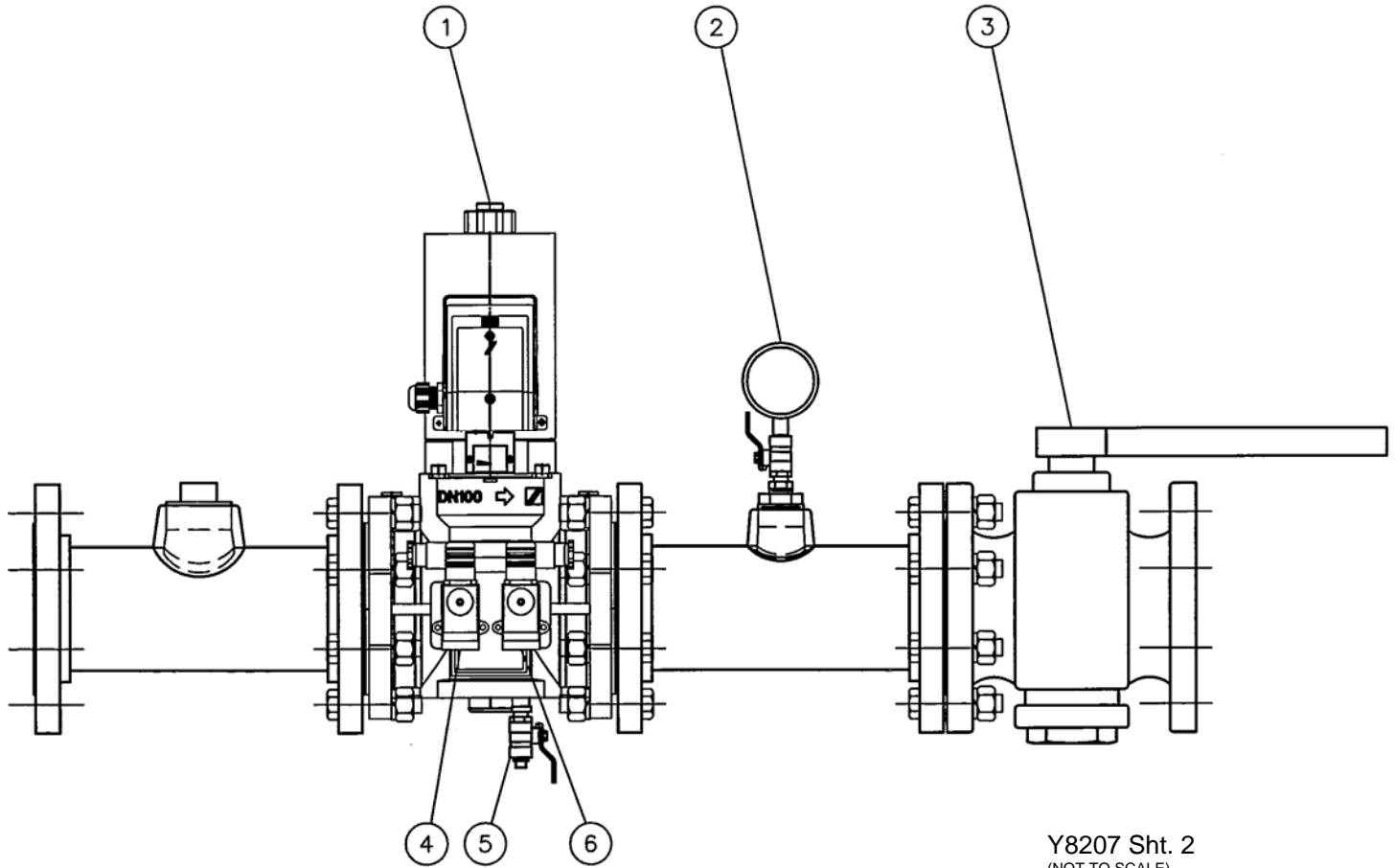
Y8207 Sht. 1
(NOT TO SCALE)

| Key No. | Description | PGM6407 | PGM6410 | PGM6412 | PGM6415 | PGM6420 |
|---------|----------------------------|----------|----------|----------|----------|----------|
| 1 | Valve Body, Safety Shutoff | 88003766 | 88003768 | 88003768 | 88003765 | 88003765 |
| 2 | Gauge, Pressure | 61254 | 61254 | 61254 | 61254 | 61254 |
| 3 | Valve, Leak Test Shutoff | 41607 | 41608 | 41609 | 41610 | 41611 |
| 4 | Flange, Valve Body | 74922646 | 74922648 | 74922649 | 74922652 | 74922653 |
| 5 | Switch, Low Gas Pressure | 84447832 | 84447832 | 84447832 | 84447832 | 84447832 |
| 6 | Cock, Leak Test | 15796 | 15796 | 15796 | 15796 | 15796 |
| 7 | Switch, High Gas Pressure | 84447842 | 84447842 | 84447842 | 84447842 | 84447842 |

NOTES:

1. TO ENSURE COMPLIANCE TO NFPA 86 REQUIREMENTS, ADDITIONAL ITEMS SHALL BE INSTALLED UPSTREAM OF ALL PGMS – SEE REGULATOR GAS MANIFOLDS (RGMS).

(OVER)



Y8207 Sht. 2
(NOT TO SCALE)

Key

| <u>No.</u> | <u>Description</u> | <u>PGM6425</u> | <u>PGM6430</u> | <u>PGM6440</u> | <u>PGM6460</u> |
|------------|--------------------------------|----------------|----------------|----------------|----------------|
| 1 | Valve Assembly, Safety Shutoff | 88203409 | 88203224 | 88203045 | 88202995 |
| 2 | Gauge, Pressure | 61254 | 61254 | 61254 | 61254 |
| 3 | Valve, Leak Test Shutoff | 63160 | 63161 | 63162 | 63163 |
| 4 | Switch, Low Gas Pressure | 75454585 | 75454585 | 75454585 | 75454585 |
| 5 | Cock, Leak Test | 15796 | 15796 | 15796 | 15796 |
| 6 | Switch, High Gas Pressure | 75454586 | 75454586 | 75454586 | 75454586 |

NOTES:

1. TO ENSURE COMPLIANCE TO NFPA 86 REQUIREMENTS, ADDITIONAL ITEMS SHALL BE INSTALLED UPSTREAM OF ALL PGMS – SEE REGULATOR GAS MANIFOLDS (RGMS).