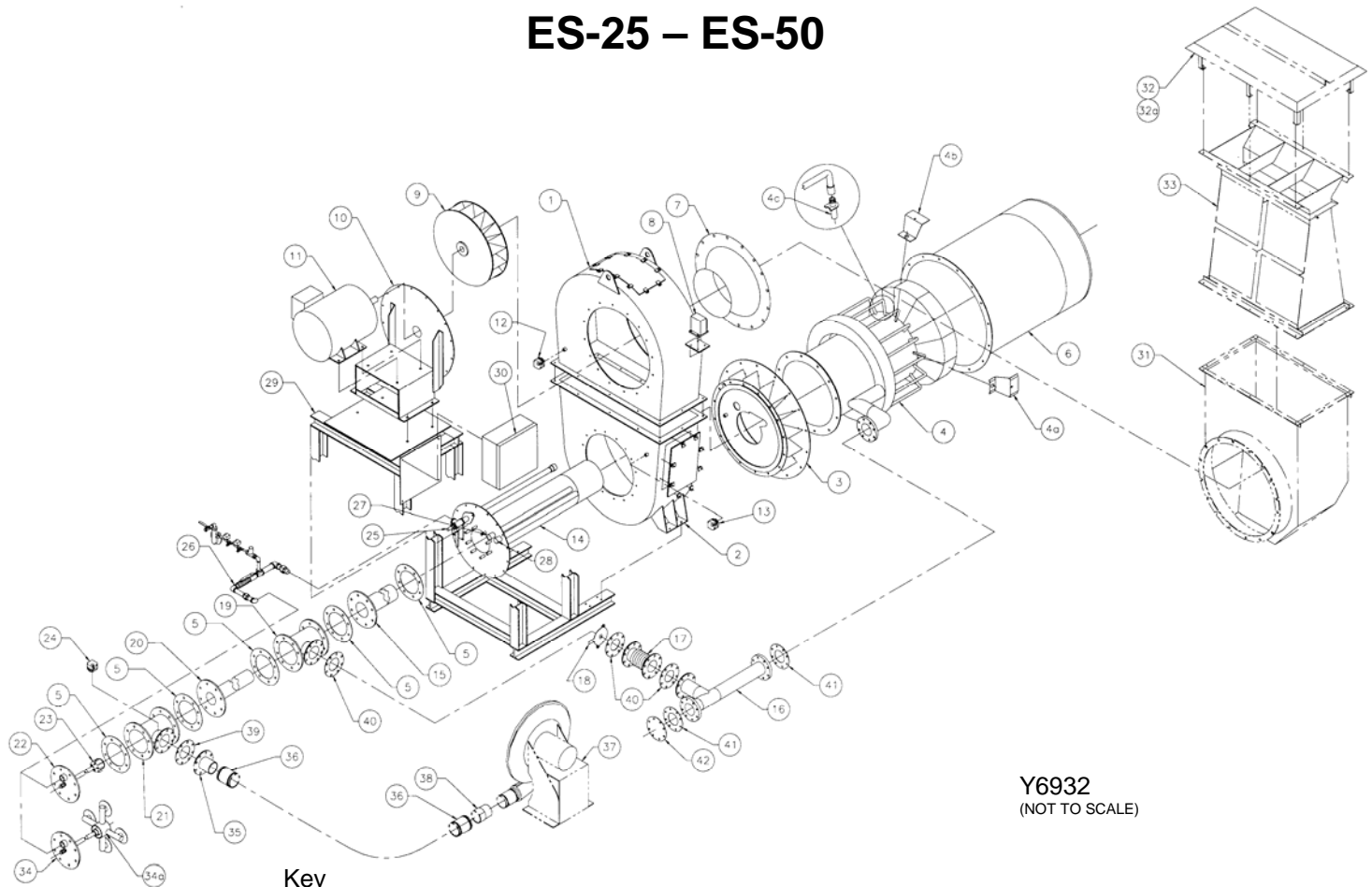




PARTS LIST

ECO-STAR™ ES-25 – ES-50



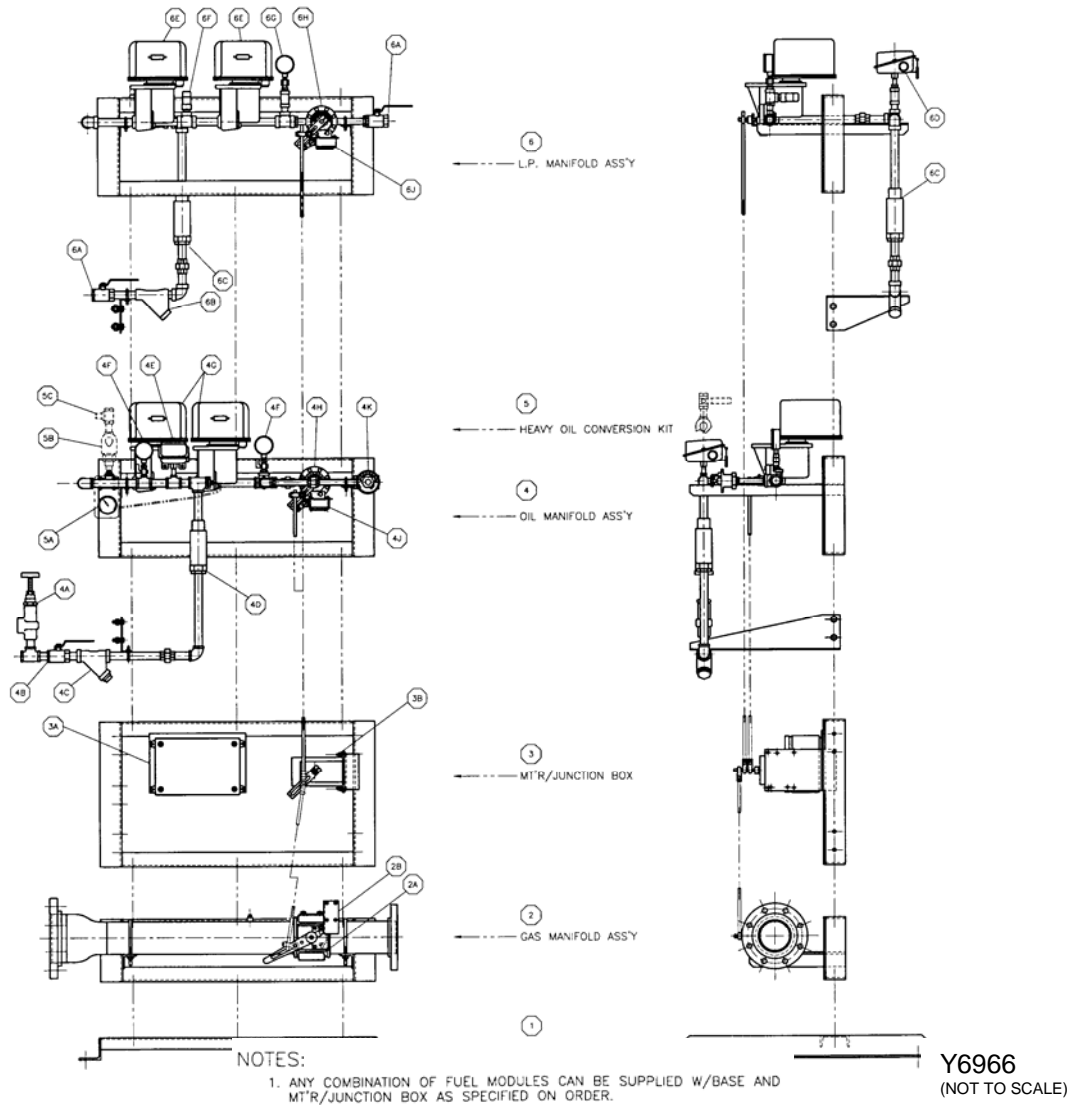
Y6932
(NOT TO SCALE)

Key No.	Description	ES-25	ES-50
1	Upper Housing Assembly	55994	56216
2	Lower Housing Assembly	55979	56217
3	Adjustable Spin Vane Assembly	56007	56235
4	Flame Tube Assembly	74259	74260
4a	Replaceable Inner Cone Segment	72057	72064
		(6 Req'd)	(8 Req'd)
4b	Replaceable Outer Cone Segment	72056	72063
		(6 Req'd)	(8 Req'd)
4c	Gas Boost Nipple	59288	58757
		(12 Req'd)	(16 Req'd)
5	Gasket	56071	2966
6	Cooling Air Jacket	59265	58735
7	Inlet Damper Assembly (* Outlet)	56921	76121
8	Damper Control Motor	16847	16847
9	Impeller Assembly	56044	56276
10	Fan Motor Mounting Assembly	56069	56273
11	Fan Motor (ODP)	20650	20654
12	Secondary Air Pressure Switch	84447822	84447822
13	Purge Air Pressure Switch	84447822	84447822
14	Secondary Air Tube	59351	56244
15	Primary Gas Tube Assembly	59407	56288

<u>Key No.</u>	<u>Description</u>	<u>ES-25</u>	<u>ES-50</u>
16	Primary/Boost Gas Tee Assembly	74269	74258
17	Flexible Nipple	74205	74205
18	Primary Gas Orifice Plate	74208x001	74208x001
19	Primary Gas Inlet Tee	74266	74250
20	Primary Air Assembly	74264	74264
21	Air Inlet Tee	74267	74249
22	Oil Insert Assembly	74428	74418
23	Oil Atomizer Assembly	59225	58774
24	Primary Air Pressure Switch	84447832	84447832
25	Pilot Assembly	59389	56294
26	Pilot Gas Manifold Assembly	74265	74248
27	Pilot Scanner	55586x005	55586x003
28	Main Flame Scanner	55586x005	55586x003
29	Skid Assembly (12 O'Clock)	56074	56289
30	Burner Junction Box	59056x	59056x
31	Attenuator Transition	---	72092
32	Attenuator Rainhood	---	72094
32a	Venturi Rainhood	---	---
33	Attenuator Venturi	---	72093
34	LP Insert Assembly	74427	74419
34a	LP Nozzle Assembly	73703	73089
35	Primary Air Inlet Adapter	74930	74930
36	Flexible Sleeve w/Clamps	T5358Cx005	T5358Cx005
37	Primary Air Blower	44044x	44044x
		TBA36-10	TBA36-10
38	Adapter (Sleeve To Pipe)	72762	72762
39	Gasket, Primary Air	7682	7682
40	Gasket, Primary Gas	74207	74207
41	Gasket, Boost Gas	57633	7681
42	Cover, Plate	59796	55021



ECO-STAR™ RACK MOUNTED FUEL MANIFOLDS ES-25 – ES-50



Key No.	Description	ES-25	ES-50
1	Base Assembly	56771	56771
2	Gas Manifold Assembly	56184	56324
2A	Gas Metering Valve w/Limit Switch	44179R2433	44195R2176
2B	Low Fire Limit Switch	20533	20533
3	Motor Junction Box Assembly	56767	56767
3A	Junction Box	55844	55844
3B	Motor	62960	62960

<u>Key No.</u>	<u>Description</u>	<u>ES-25</u>	<u>ES-50</u>
4	Oil Manifold	71074	71075
4A	Pressure Relief Valve	61162	61162
4B	Ball Valve	41694	41694
4C	Y-Strainer	11081	11081
4D	Flow Meter	41419x004	41419x005
4E	Low Pressure Switch	303133	303133
4F	Pressure Gauge	35971	35971
4G	Safety Shutoff Valve	60234	60234
4H	Metering Valve w/Limit Switch	12515R0241	16684R0241
4J	Low Fire Limit Switch	20533	20533
4K	Low Fire Metering Valve	42575	42577
5	Heavy Oil Conversion Kit	56896x001	56896x002
5A	Indicating Temperature Control	45903	45903
5B	Solenoid Valve	301680	301680
5C	Ball Valve	41694	41694
6	LP Manifold Assembly	56186	56327
6A	Ball Valve	41607	41607
6B	Y-Strainer	20607	20607
6C	Flow Meter	43103x001	43103x002
6D	Low Pressure Switch	46476	46476
6E	Safety Shutoff Valve (2 Req'd)	60351	60351
6F	Relief Valve	46956	46956
6G	Pressure Gauge	37353	37353
6H	Metering Valve w/Limit Switch	47555R0241	16937R0241
6J	Low Fire Limit Switch	46476	46476