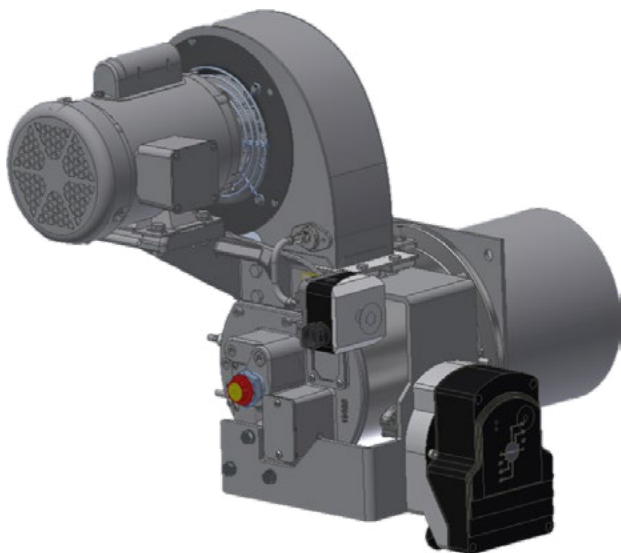
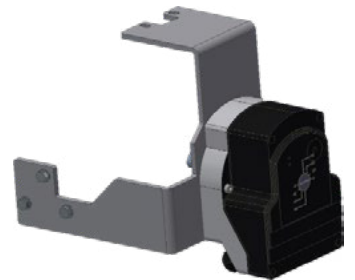


OVENPAK 400 AND KROMSCHRODER CONTROLS RE-DEFINING THE STANDARD

OVENPAK® 400 Gas Burner is getting an upgrade. The standard for air heating is now fully compatible with the standard for burner controls. Honeywell's Kromschroder and Maxon portfolio have paired up to provide the complete package for your burner needs. Integrated combustion air switch, direct-coupled actuators, compatible ignition transformers, and retrofit solutions to fit almost any application.



MOUNTED AIR SWITCH



DIRECT-COUPLED ACTUATOR



COMPATIBLE IGNITION



RETROFIT SOLUTIONS



ASSEMBLY NUMBERS OVENPAK® 400 BURNERS

SIZE	ACTUATOR MOUNTING KIT	STANDARD IC20	STANDARD IC40	AIR PRESSURE SWITCH KIT	AIR PRESSURE SWITCH	TZI IGNITION TRANSFORMER	TGI IGNITION TRANSFORMER	IC50	IC50 RETROFIT BRACKET	IC50 RETROFIT CONTROL ARM
405	50160806-001	KS88300080	KS88300087	50185945-001	KS84447812	KS84329111	KS84391030	KS74215234	KS74924791	7616BR
407M	50160807-001	KS88300080	KS88300087	50185947-001	KS84447812	KS84329111	KS84391030	KS74215234	KS74924791	7616BR
408	50160806-001	KS88300080	KS88300087	50185945-001	KS84447812	KS84329111	KS84391030	KS74215234	KS74924791	7616BR
408M	50160807-001	KS88300080	KS88300087	50185947-001	KS84447812	KS84329111	KS84391030	KS74215234	KS74924791	7616BR
412M	50160807-001	KS88300080	KS88300087	50185947-001	KS84447812	KS84329111	KS84391030	KS74215234	KS74924791	7616BR
413M	50160807-001	KS88300080	KS88300087	50185947-001	KS84447812	KS84329111	KS84391030	KS74215234	KS74924791	7616BR
415	50160806-001	KS88300080	KS88300087	50185945-001	KS84447812	KS84329111	KS84391030	KS74215234	KS74924791	7616BR
422M	50160808-001	KS88300080	KS88300087	50185947-001	KS84447812	KS84329111	KS84391030	KS74215234	KS74924791	7616BR
425	50160809-001	KS88300080	KS88300087	50185945-001	KS84447812	KS84329111	KS84391030	KS74215234	KS74924791	7616BR
432M	50160810-001	KS88300080	KS88300087	50185947-001	KS84447812	KS84329111	KS84391030	KS74215234	KS74924791	7616BR
435	50160809-001	KS88300080	KS88300087	50185945-001	KS84447812	KS84329111	KS84391030	KS74215234	KS74924791	7616BR
442M	50160810-001	KS88300080	KS88300087	50185947-001	KS84447812	KS84329111	KS84391030	KS74215234	KS74924791	7616BR
445	50160810-001	KS88300080	KS88300087	50185947-001	KS84447812	KS84329111	KS84391030	KS74215234	KS74924791	7616BR
456M	50160810-001	KS88300080	KS88300087	50185947-001	KS84447812	KS84329111	KS84391030	KS74215234	KS74924791	7616BR
470M	50160811-001	KS88300080	KS88300087	50185947-001	KS84447812	KS84329111	KS84391030	KS74215234	KS74924791	7616BR
487M	50160811-001	KS88300080	KS88300087	50185947-001	KS84447812	KS84329111	KS84391030	KS74215234	KS74924791	7616BR

For more information

process.honeywell.com/us/en/hts

Honeywell Process Solutions

2101 CityWest Blvd.
Houston, TX 77042

Honeywell House, Arlington Business Park
Bracknell, Berkshire, England RG12 1EB UK

Shanghai City Centre, 100 Zunyi
Road Shanghai, China 200051

BRO-23-68-EN | 08/23
© 2023 Honeywell International Inc.

**THE
FUTURE
IS
WHAT
WE
MAKE IT**

Honeywell