

FASA Fiber Optic Extension

INSTALLATION INSTRUCTIONS

Edition 12.20 · 32-00276-01 · EN



APPLICATION

The Honeywell FASA and FASA-INT fiber optic extensions for viewing heads make it possible to sight a flame in a hostile environment such as where intense heat or chemicals are present, where flame viewing is obstructed or where burner depth requires the sensor closer to the flame. A fiber optic bundle is used to transmit flame radiation to the remotely located flame detector/viewing head. Flexible stainless steel tubes enclose the fiber optic bundle with forced air injected for cooling.

A lens is used to focus the flame to one end of the fiber optic bundle, with the other end coupled directly to the viewing head. This effectively extends the optical path of the standard Honeywell viewing head, allowing for greater flexibility in sighting flame.

The Honeywell fiber optic viewing head extension is well-suited for solving the sighting problems associated with tilting or movable burners or nozzles. The flame envelope from this type of burner can be tilted from a horizontal position up or down as much as 30 degrees. It would be impossible to follow this flame pattern with a fixed sighting through the burner wind box. Welding the tip guide (lens end) of the fiber optic viewing head extension to the movable air compartment nozzle solves this problem.

The Honeywell fiber optic viewing head extension can also be used in applications where it is impossible to find a clear, unobstructed view of the flame. The fiber optic extension is mounted inside the windbox for a clear unobstructed view of the flame.

Another application would be gas and oil fired turbines where there can be a combination of high levels of vibration, high temperature and pressure excursions.

Generally speaking, the Honeywell fiber optic extension should be considered for applications where the flame signal is poor from a normal windbox location, the temperature exceeds the viewing head ambient rating, where under high load conditions the target flame moves away from the line of sight or view is obstructed.

Typical applications may include:

- Tilting burner firing pulverized coal, oil or gas
- Low NOx coal burners
- Gas and oil fired turbine generator
- Where a clear view of flame is not possible in register type burners

FEATURES

- Transmission up to 25 feet (about 8 meters)
- Withstands high/low temperatures -40 to +662° F (-40 to +350° C)
- Corrosion protected stainless steel construction

SPECIFICATIONS

Purge/Cooling Air Required (typical):

10 SCFM @ 10" WC (0.25 m³/min @ 25.4 mm WC) above back pressure. Purge and cooling air must be oil and moisture free delivered at less than 40° C (100° F) 1 inch NPT connection on outer carrier mount

½ inch NPT connection on viewing head flange (model dependent).

Temperature:

Lens and fiber optics: See above

Environmental Ratings:

NEMA 4X (IP56) and lens end sealed meets hazardous location

Mounting:

Outer carrier tube guide 3.375 inch OD x 9 inch long. Stainless steel, welded to air compartment nozzle. Outer carrier tube connected to 3 inch NPT mounting assembly via 3 locking screws. Note mounting may be project specific. The above is an example only.

Product Description

The Honeywell fiber optic extension typically consists of three major assemblies; outer carrier tube and tip guide, inner carrier tube and lens assembly with fiber optic bundle.

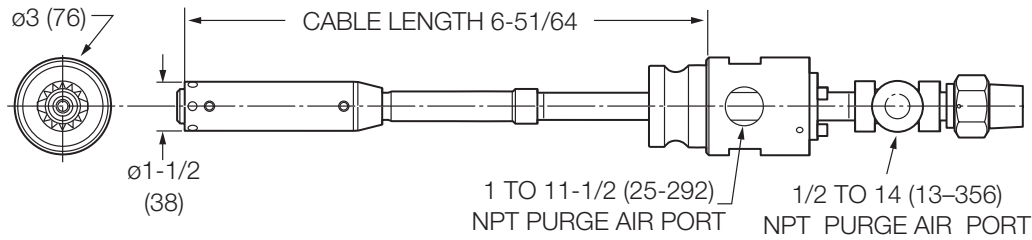
One end of the outer carrier tube is fitted inside with 4 guides (rods) for centering the inner carrier tube lens assembly holder. This end of the outer carrier tube slips into the tip guide which is permanently fixed. One end of the inner carrier tube is designated the lens assembly holder. The lens assembly is

coupled to the fiber optic bundle. The lens assembly and fiber optic bundle are fastened inside the inner carrier tube lens assembly holder with a pan head screw.

The fiber optic cable bundle is removable for installation and maintenance. To replace the fiber optic cable, remove the fiber optic assembly inner carrier. Unscrew the lens assembly from the outer carrier. There are two parts to the lens assembly, the lens cartridge and the fiber optic coupler. The lens cartridge contains a lens and a quartz window with a retaining ring. The window is forward of the lens and serves to protect the lens from being damaged or becoming dirty due to oil spray or coking from solid fuels. The fiber optic lens cartridge is ordered separately.

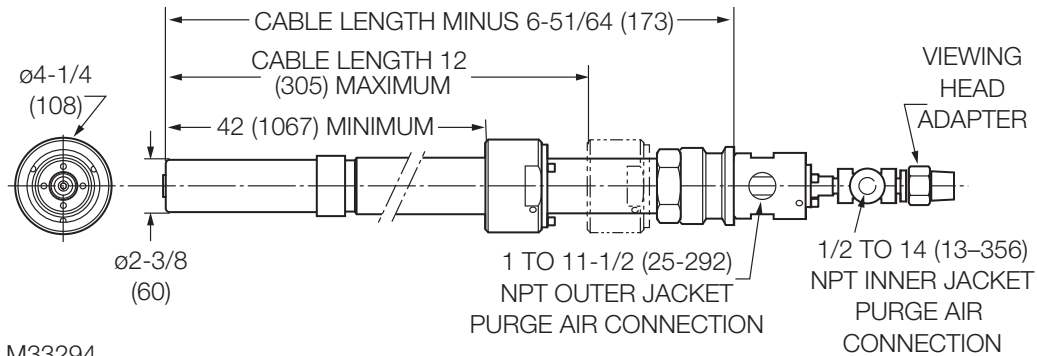
Table 1. Fiber optic extension component ordering list for the configurator.

Base Part Number	Base Part Number
FASA	Fiber optics complete assembly for UV or IR flame detection with guide pipes and flex connection. Assembly length 5 to 25 feet in 1-ft increments through the configurator.
FASA-INT	Fiber optics inner assembly for UV or IR flame detection with flex connection. Assembly length 5 to 25 feet in 1-ft increments through the configurator.



M33293

Fig. 1. Inner carrier assembly example (dimensions in inch [mm]).



M33294

Fig. 2. Outer carrier assembly example (dimensions in inch [mm]).

NOTE: Actual assembly dimensions depend on total fiber optic cable length ordered.

Table 2. Fiber optic accessory component ordering list.

Accessory Part Number	Base Part Number
FOLC-9C	Fiber optic lens cartridge and coupler - 9 degree connection. NOTE: The 9 degree lens cartridge is typically only used on rigid fiber optic extension systems (not flexible extensions).
FOLC-SC	Fiber optic lens cartridge and coupler - straight connection.
FOLC-HS	Replacement fiber optic lens cartridge mounting hood/lens housing with 1/2 inch NPT connection.
S550FOAD	Fiber optics adapter for S55XBE and U2 viewing head.
S550FOADY-FT	Fiber optics adapter with air purge connection for S55XBE and U2 viewing heads.
S700FOAD	Fiber optics adaptor for S700 series viewing heads with lens and retainer ring.
S800FOAD	Fiber optics adaptor for S800 series viewing heads with lens and retainer ring.

INSTALLATION

When installing this product...

1. Read these instructions carefully. Failure to follow them could damage the product or cause a hazardous condition.
2. Check the ratings given in the instructions and marked on the product to make sure the product is suitable for the application
3. Installer must be a trained, experienced flame safe-guard serve technician.
4. After installation is complete, check out the product operation as provided in these instructions.

WARNING

Fire or Explosion Hazard.

Can cause property damage, severe injury or death.

To prevent possible hazardous burner operation, verify safety requirements each time a control or viewing head is installed on a burner.

WARNING

Electrical Shock Hazard.

Can cause serious injury, death or equipment damage.

Disconnect the power supply before beginning installation to prevent electrical shock, equipment and control damage. More than one power supply disconnect may be required.

Location

Humidity- 0-100% non condensing

Temperature - fiber-optic bundle meets 350° C or 662° F

Mounting

NOTE: Mounting instructions below apply only to tilting burners. Mount to suit your specific application.

Outer carrier tube guide 3.375 inch OD x 9 inch long. Stainless steel, welded to air compartment nozzle. Outer carrier tube connected to 3 inch NPT mounting assembly via 3 locking screws.

IMPORTANT

The lens inside the inner tube assembly, affixed to the fiber optic cable, can be damaged from welding spatter. When welding is to be done in the near vicinity, protect the lens by either removing the inner carrier assembly from the outer carrier assembly or by putting a temporary protective cover over the opening in the mounting block.

The flame signal generated in the primary combustion zone is transmitted via the fiber optic bundle to the Honeywell viewing head located outside the wind box. For corner fired units the outer carrier tip guide is welded to an air compartment nozzle parallel to the fuel flow. The outer carrier centering guide slip fits into this outer carrier tip guide and the other end is fastened to the burner front plate (outside the wind box) via the 3 inch NPT packing gland.

The flexible portion of the carrier tube allows for the vertical movement of the tilting nozzles ($\pm 30^\circ$). The outer carrier tip guide can be installed either in the right or left hand side of the nozzle and the outer carrier should be brought straight through the air compartment.

IMPORTANT

When installing in a tilting burner application make sure there is no excess lag or stretching of assembly. Ensure the outer carrier does not have kink or the possibility of binding when nozzles are tilted up or down. Inner carrier should be removed or installed when nozzle is in horizontal position only.

CARE AND MAINTENANCE

With proper purge/cooling air that is free of oil and moisture, periodic cleaning is not required. The fiber optic assembly and cable should last for a long time unless physically damaged, the temperature is elevated beyond the design by restriction or loss of air flow, or using contaminated purge/cooling air.

For More Information

The Honeywell Thermal Solutions family of products includes Honeywell Combustion Safety, Eclipse, Exothermics, Hauck, Kromschröder and Maxon. To learn more about our products, visit ThermalSolutions.honeywell.com or contact your Honeywell Sales Engineer.

Honeywell Process Solutions

Honeywell Thermal Solutions (HTS)
1250 West Sam Houston Parkway
South Houston, TX 77042

ThermalSolutions.honeywell.com

® U.S. Registered Trademark
© 2020 Honeywell International Inc.
32-00276-01 Edition 1.2.20
Printed in United States

Honeywell