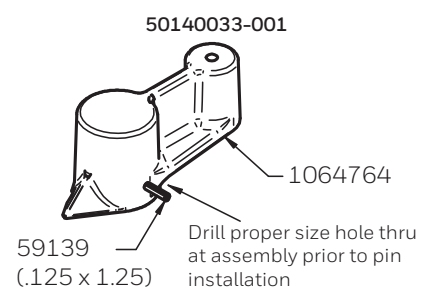
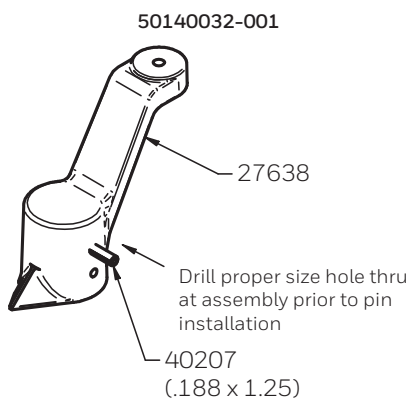
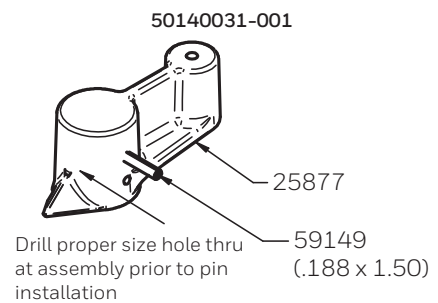
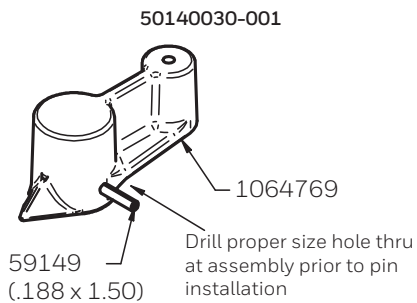
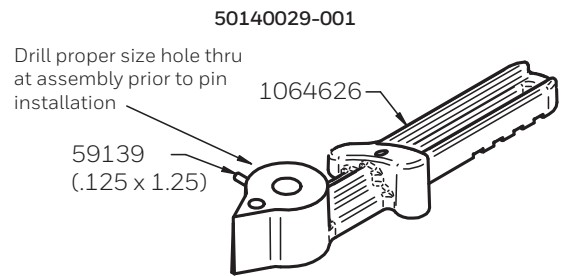
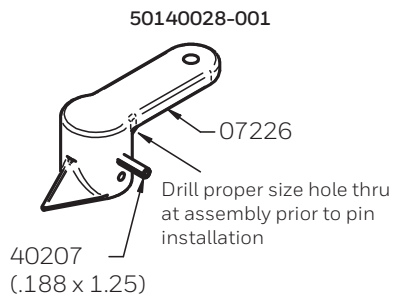


# Maxon Smart Valve Crank Assembly

## ADDENDUM

### REPLACEMENT PARTS AND INSTRUCTIONS



## SEQUENCE OF OPERATION

1. Customer will be supplied with Crank and Roll pin. The customer will be responsible for the proper size drill bit.
2. Customer will take new crank and assemble to existing valve shaft, aligning hole in shaft to supplied crank pre-drilled hole. Supplied crank comes to customer pre-drilled thru one wall.
3. While holes are aligned, the customer will drill a hole thru the opposite side of crank handle.
4. The customer, with the holes aligned from shaft and crank, will assemble roll pin and use a hammer to lightly tap in place.

## CONTROL VALVE CRANK ASSEMBLY REPLACEMENT PARTS

|            | 7226 | 1064626 | 1064769 | 25877 | 27638 | 1064764 |
|------------|------|---------|---------|-------|-------|---------|
| MM MRV     | X    | X       | X       | X     | X     | X       |
| MO MRV     | X    | X       | X       | X     | X     | X       |
| MP MRV     | X    | X       | X       | X     | X     | X       |
| MS MRV     | X    | X       | X       | X     | X     | X       |
| MM MRV4TP  | X    | X       | X       | X     | X     | X       |
| MO MRV4TP  | X    | X       | X       | X     | X     | X       |
| MP MRV4TP  | X    | X       | X       | X     | X     | X       |
| MS MRV4TP  | X    | X       | X       | X     | X     | X       |
| M 0600 CTL |      | X       |         |       |       |         |
| M 0800 CTL |      | X       |         |       |       |         |
| MA MRV     |      |         |         |       | X     |         |
| MA MRV4TP  |      |         |         |       | X     |         |

### For More Information

The Honeywell Thermal Solutions family of products includes Honeywell Combustion Safety, Eclipse, Exothermics, Hauck, Kromschröder and Maxon. To learn more about our products, visit [ThermalSolutions.honeywell.com](http://ThermalSolutions.honeywell.com) or contact your Honeywell Sales Engineer.

### Honeywell MAXON branded products

201 E 18th Street  
Muncie, IN 47302  
USA

[www.maxoncorp.com](http://www.maxoncorp.com)

### Honeywell Process Solutions

Honeywell Thermal Solutions (HTS)  
1250 West Sam Houston Parkway  
South Houston, TX 77042  
[ThermalSolutions.honeywell](http://ThermalSolutions.honeywell)

® U.S. Registered Trademark  
© 2018 Honeywell International Inc.  
32M-96004-01 M.S. 05-18  
Printed in United States

