

OXY-THERM[®] Burners

ASSEMBLY NUMBER PAGES

CONFIGURED ITEM NUMBER: OT

Segment choices for configured item number OT

Segment name	Segment description	Segment choices (DEFAULT is shaded)	Segment choice description
SERIES	Choice of burner series	6	600 Series
		9	900 Series
FUEL	Choice of fuel	G	Gas
		O	Oil

Segment choices for configured item number OT 600/900 GAS

Segment name	Segment description	Segment choices (DEFAULT is shaded)	Segment choice description
BURNER MAX CAPACITY MMBTU/HR	Maximum capacity of burner	1.0	Maximum capacity for Series 600
		6.0	Maximum capacity for Series 900
FUEL	Choice of fuel	N	Natural gas
		O	Other gas (see Engrg.)
		P	Propane gas
BLOCK MATERIAL	Choice of block material	A	Alumina/Zirconia/Silica
		Z	Zirconia
PILOT	Choice of pilot	A	Air pilot
		N	No pilot chosen
		O	Oxy-fuel pilot chosen
FUEL NET HEAT VALUE (BTU/CF)	Heat value per cubic foot	1000	Enter value
NOZZLE VELOCITY (FPS)	Required velocity	400	Enter value

Segment choices for configured item number OT 600 GAS NZL

Segment name	Segment description	Segment choices (DEFAULT is shaded)	Segment choice description
ORIFICE SIZE	Choice of orifice size	195	X = .195"
		277	X = .277"
		313	X = .313"
		339	X = .339"
		359	X = .359"
		375	X = .375"



Segment choices for configured item number OT 900 GAS NZL

Segment name	Segment description	Segment choices (DEFAULT is shaded)	Segment choice description
ORIFICE SIZE	Choice of orifice size	328	X = .328"
		438	X = .438"
		500	X = .500"
		562	X = .562"
		578	X = .578"
		640	X = .640"
		688	X = .688"
		700	X = .700"
		703	X = .703"
		750	X = .750"
		797	X = .797"
		812	X = .812"

Segment choices for configured item number OT 600/900 OIL

Segment name	Segment description	Segment choices (DEFAULT is shaded)	Segment choice description
BURNER SIZE	Choice of burner size [1]	07	607/907 Series [1]
		10	910 Series
		15	915 Series
		20	920 Series
		30	930 Series
		40	940 Series
FUEL	Type of oil	2	#2 fuel oil
		6	Preheated #6 fuel oil
BLOCK MATERIAL	Choice of block material	A	Alumina/zirconia/silica
		Z	Zirconia
PILOT	Choice of pilot	A	Air pilot
		N	No pilot chosen
		O	Oxy-fuel pilot chosen
FUEL HEATING VALUE (BTU/GAL)	Enter value	145000	Default value

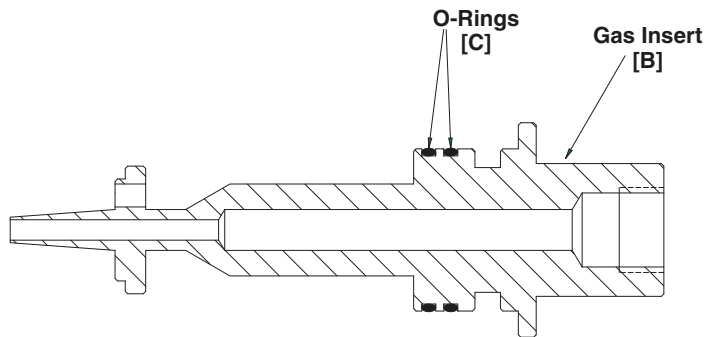
[1] 07 is only choice available for 600 Series burners

Spare & replacement parts for OXY-THERM® burners

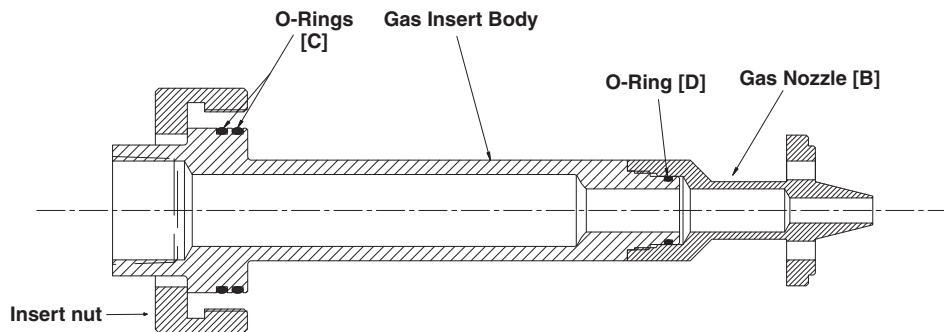
OXY-THERM® burner type		Series 600		Series 900	
		Gas	Oil	Gas	Oil
Fuel service					907, 910, 915, 920
					930, 940
Air pilot block & frame	AZS	1064945		1064866	
	Zirconia	1064987		1064988	1088205
No pilot block & frame	AZS	41973		41974	
	Zirconia	39342	39343	39343	43466
Oxy pilot / UV block & frame	AZS	1049718		1049720	
	Zirconia	1049719	1049721	1049721	1049722
Nozzle / insert body gasket		50111370-001		50111371-001	
Housing cap screws		40363 (qty. 4)		40365 (qty. 4)	
Krytox grease (2 oz.)				46573	
Oxy-pilot				1079805	
Sealed pressure pilot				1115321	

Gas nozzle parts identification

Series 600 gas insert assembly (insert nut not shown)



Series 900 gas insert assembly

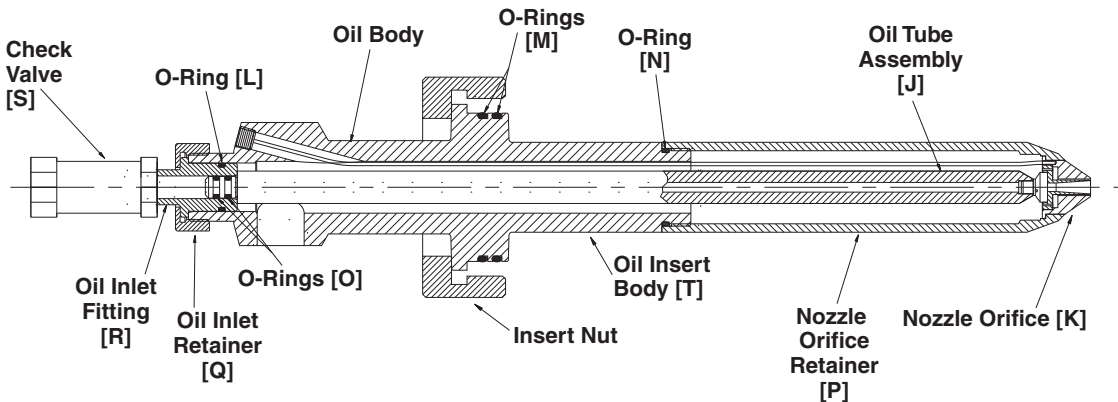


OXY-THERM® gas burner model		Series 600	Series 900
A	Gas insert assembly (qty. 1)	600 OT REPL [1]	900 OT REPL [1]
---	Nozzle body insert (qty. 1)	50111391-001	50111374-001
B	Gas nozzle (qty. 1)	600 OT REPL [1] [2]	900 OT REPL [1] [2]
C	O-ring Viton (qty. 2)	38386 [2]	30455 [2]
D	O-ring Viton (qty. 1)	---	32984 [2]

[1] Maxon original factory order number required

[2] Gas nozzle and o-rings included in gas insert assembly

Oil nozzle parts identification



OXY-THERM® oil burner model		607	907	910	915	920	930	940
H	Oil insert (inlet body) sub-assembly	43860	43360	43947	43364	43365	43366	43461
---	Nozzle body insert	50111391-001	50111374-001	50111374-001	50111374-001	50111374-001	50111382-001	50111382-001
J	Oil tube assembly	50111392-001	50111385-001	50111396-001	50111386-001	50111387-001	50111388-001	50111389-001
K	Oil cap (nozzle orifice)	---	50111375-001	50111395-001	50111377-001	50111378-001	50111379-001	50111381-001
L	O-ring Viton [1]	32983 (qty. 1)						
M	O-ring Viton [1]	38386 (qty. 2)	30455 (qty. 2)					
N	O-ring Viton [1]	32982 (qty. 1)	47776 (qty. 1)					
O	O-ring Viton [1][2]	43359 (qty. 2)						
P	Orifice retainer	50111383-001	50111376-001					
Q	Oil inlet retainer	43294	43294					
R	Oil inlet fitting	50111372-001	50111372-001					
S	Check valve	43381	43381					
T	Oil insert body	50111384-001	50111373-001					

[1] O-rings included in oil insert sub-assembly

[2] O-rings included in oil tube sub-assembly

For More Information

The Honeywell Thermal Solutions family of products includes Honeywell Combustion Safety, Eclipse, Exothermics, Hauck, Kromschröder and Maxon. To learn more about our products, visit ThermalSolutions.honeywell.com or contact your Honeywell Sales Engineer.

Honeywell MAXON branded products

201 E 18th Street
Muncie, IN 47302
USA

www.maxoncorp.com

Honeywell Process Solutions

Honeywell Thermal Solutions (HTS)
1250 West Sam Houston Parkway
South Houston, TX 77042
ThermalSolutions.honeywell

® U.S. Registered Trademark
© 2017 Honeywell International Inc.
32M-72009-01 M.S. Rev. 03-17
Printed in United States

