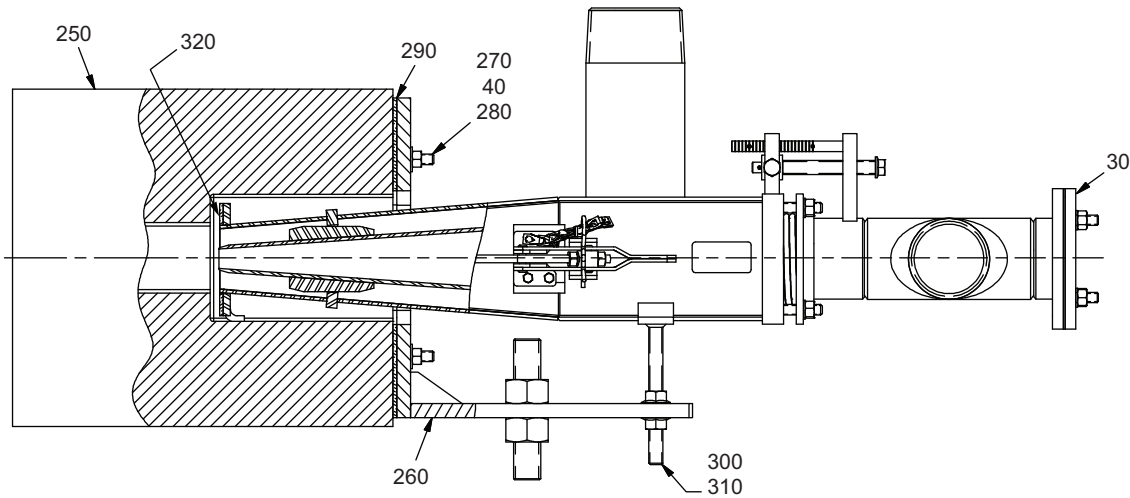


Eclipse PrimeFire 300 Burners

2 to 8 MM Btu/h

Spare Parts List Edition 3.15

Version 1



Ref	Part Numbers	Description
30	019018	Gas Inlet Assembly Plate
30	019085	Oil Insert Assy
30	019085-1	Oil Insert Assy, w/Quick Disconnects
40	3816HHNS	Hex Nut, 3/8-16
250	D998702108	Refractory Combustor
260	019055	Burner Block Mounting Flange
270	38FWS	Flat Washer, 3/8 in.
280	A920903556	T-Bolt, 3/8-16 X 3-1/4 in.
290	019015	Mounting Flange Gasket, Burner To Pre-Combustor
300	019061	Support Stand
310	19898	Lock Nut, 1/2-13
320	019016	Front Flange Gasket
N/S	019017	Inlet Body Gasket
N/S	019067	Oil Tube Insert, 2-8 MM Btu/h