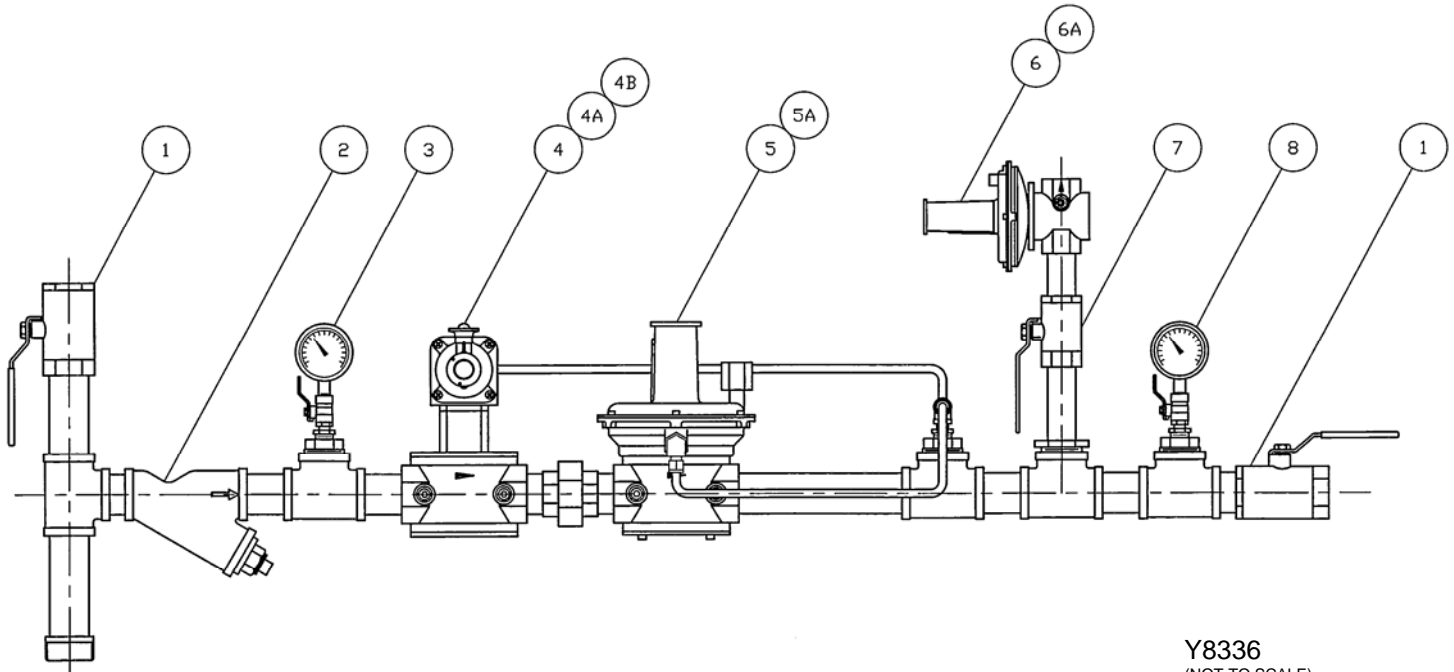




PARTS LIST

RGM REGULATOR GAS MANIFOLD 2400 SERIES (INDUSTIAL)



Y8336
(NOT TO SCALE)

Key No	Description	RGM 2410	RGM2415	RGM2420	RGM2430	RGM2440
1	Valve, Shutoff	41608	41610	41611	63161	63162
2	Strainer, Y-Type	62042	62044	62045	62054	62055
3	Gauge, Pressure 0-15 psig	12528	12528	12528	12528	12528
4	Valve, JSAV Safety Shutoff	86361021	86362031	3151142	3151144	3151146
4A	Spring, JSAV	3089072 (2.9 – 5.1 psi)	3089072 (2.9 – 5.1 psi)	3089066 (2.8 – 5.8 psi)	3089066 (2.8 – 5.8 psi)	3089066 (2.8 – 5.8 psi)
4B	Wrench, Valve Reset	N/A	N/A	3151140	3151140	3151140
5	Regulator, VGBF Pressure	85046700	86047700	86048700	86050700	86051700
5A	Spring, VGBF	75438978 (1.4 – 2.3 psi)	75438978 (1.4 – 2.3 psi)	75438981 (1.4 – 2.3 psi)	75438984 (1.4 – 2.3 psi)	75438987 (1.4 – 2.3 psi)
6	Valve, VSBV Safety Relief	84583071	84583071	84583071	84583071	84583071
6A	Spring, VSBV	75441809 (2.4 – 4.8 psi)	75441809 (2.4 – 4.8 psi)	75441809 (2.4 – 4.8 psi)	75441809 (2.4 – 4.8 psi)	75441809 (2.4 – 4.8 psi)
7	Valve, Shutoff	41608	41608	41608	41608	41608
8	Gauge, Pressure, 0-5 psig	61254	61254	61254	61254	61254

NOTES:

- To ensure compliance to NFPA 86 Requirements, additional items shall be installed downstream of all RGMs – See Prepped Gas Manifolds.
- For spring ranges other than shown, consult Hauck.

This page left intentionally blank.