

Immersion tube burners ImmersoJet IJ

TECHNICAL INFORMATION

- Produces the industry's highest heat capacities and efficiencies.
- Tube requirements save valuable space inside the tank.
- Comes mounted with a reliable low or high pressure blower for ease of installation.
- Quickly transfers heat to the immersion tube, resulting in lower burner surface temperature.
- Provides faster heat-up times than any other immersion burner.
- Combustion chamber is outside the tank, taking up less space and providing more uniform heat.
- Unique nozzle design ensures quiet operation.



Contents

Contents	2	5.3.4 IJ-6	27
1 Application	3	5.3.5 IJ-8	28
2 Certification	6	5.4 Dimensions and Specifications	30
2.1 Eurasian Customs Union	6	5.4.1 IJ-2	30
3 Function	7	5.4.2 IJ-3	32
3.1 Description	7	5.4.3 IJ-4	34
3.2 Features	7	5.4.4 IJ-6	36
4 System Design	8	5.4.5 IJ-8	38
4.1 Burner Model Selection	8	6 Converting units	40
4.1.1 Fuel Type	8	7 System Schematics	41
4.1.2 Applications Requiring Special Consideration	8	For more information	43
4.2 Tube Design	9		
4.3 Control System	13		
4.4 Ignition system	14		
4.5 Flame Monitoring System	15		
4.6 Combustion Air System	15		
4.6.1 Calculation example to determine the air flow requirement	17		
4.7 Main Gas Shut-Off Valve Train	18		
4.8 Process Temperature Control System	18		
5 Technical data	19		
5.1 Blower size	19		
5.1.1 Low Pressure Packaged Blower	19		
5.1.2 High Pressure Packaged Blower	19		
5.1.3 Packaged Blower	19		
5.1.4 Remote Blower	20		
5.2 Performance Graphs	21		
5.2.1 IJ-2, IJ-3, IJ-4	21		
5.2.2 IJ-6	22		
5.2.3 IJ-8	23		
5.3 Gas and air orifices	24		
5.3.1 IJ-2	24		
5.3.2 IJ-3	25		
5.3.3 IJ-4	26		

1 Application



Designed for high performance and convenience.

ImmersoJet burners fire at high capacities through a small diameter immersion tube. The combustion gases from the burner scrub the inner tube surfaces to produce the highest heat transfer rate of any immersion burner available.

Ideal for retrofits

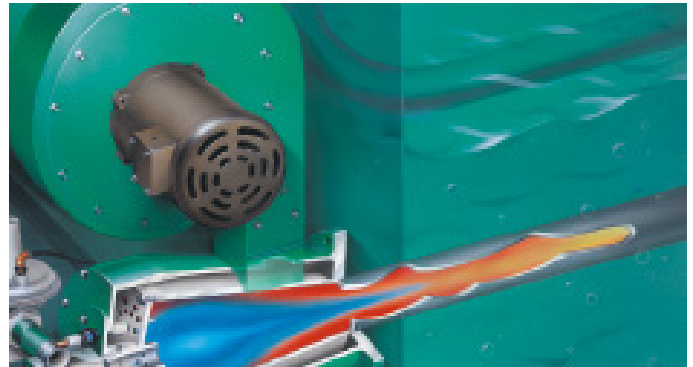
In conventional immersion heating, every cubic inch of a tank is crammed with a bulky, large diameter tube. Replacing this tube with a compact ImmersoJet tube can provide substantial advantages:

- Easier tube fabrication
- Lower tube material costs
- Easier handling and installation
- Reduced fuel costs
- Higher tank temperatures

Perfect for new tanks, too.

By combining high efficiency with small diameter tubes, the ImmersoJet gives you great design flexibility. With ImmersoJet you can:

- Minimize tank size. Reduce material and fabrication costs, and conserve floor space.
- Reduce operating costs. Minimize fuel costs, or increase production.
- Reduce area requirements. ImmersoJet tubes take up less space in a tank, allowing you greater design flexibility.
- Benefit from multi-fuel capability. Standard burner can be configured for natural gas, propane or butane fuel.

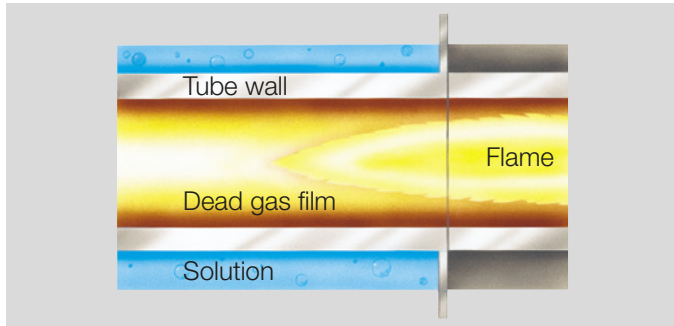


Provides 80 %+ efficiencies and space-saving tube requirements

High Velocity Equals High Efficiency

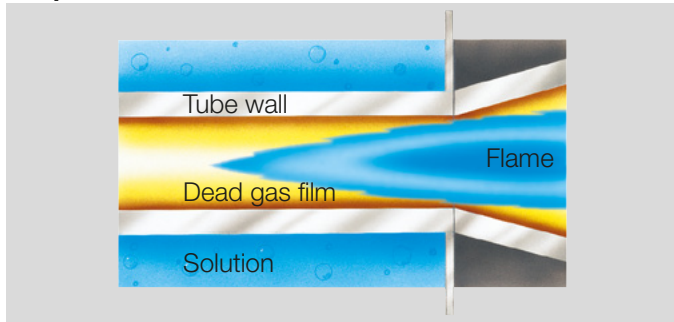
When you compare state-of-the-art ImmersoJet design with conventional immersion burners and tubes, ImmersoJet clearly comes out on top.

Conventional Immersion Tube Profile



- A lazy, low velocity flame travels down the tube causing a "dead gas film" to build up on the inside wall, reducing heat transfer efficiency.
- Tube size limits system efficiency potential to 70 %

Eclipse Combustion ImmersoJet Profile



- A robust, high velocity flame scrubs the inner tube surface, minimizing dead gas film.
- System efficiencies in excess of 80 % are possible with smaller tube configurations.

Equal Heat in Half the Area

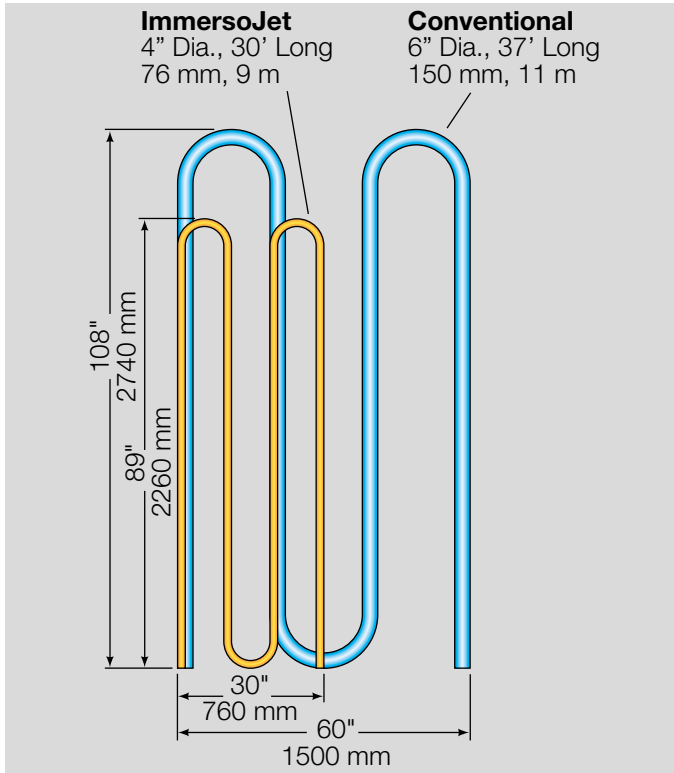
Compare the conventional tube with the tube designed for use with the ImmersoJet, each designed for 70 % efficiency with an input of 1 MM Btu/hr. Clearly, the ImmersoJet style tube is much smaller.

If this were a new tank, you could reduce tank size to fit the ImmersoJet tube, saving floor space and material costs.

Or, if floor space permits, you could lengthen the ImmersoJet tube and possibly add another pass in order to achieve efficiencies in excess of 80 %.

In either case, ImmersoJet provides great flexibility in designing an immersion system that best meets your specific performance and space requirements.

1 Application



2 Certification

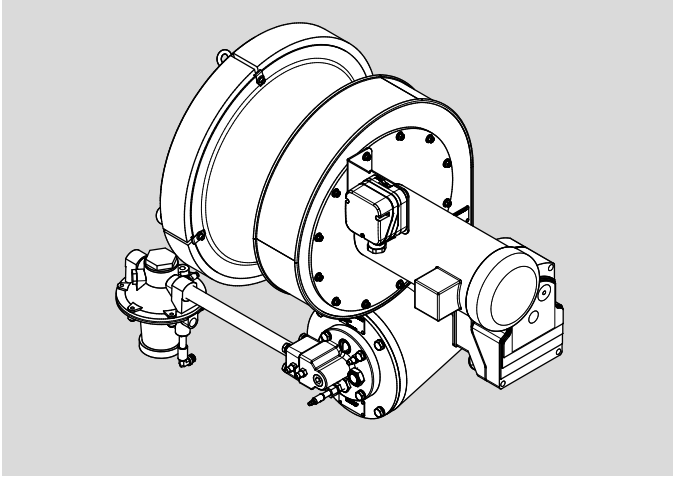
2.1 Eurasian Customs Union

The logo for the Eurasian Customs Union (EAC) is displayed in a bold, black, sans-serif font. The letters 'E', 'A', and 'C' are stacked vertically, with the 'A' being significantly larger than the 'E' and 'C'. The logo is centered within a light gray rectangular background.

The products ImmersoJet meet the technical specifications of the Eurasian Customs Union.

3 Function

3.1 Description



The ImmersoJet burner is a nozzle-mix, tube-firing burner that is designed to fire at high velocities through small diameter immersion tubes. The standard burner includes a packaged blower, actuator control motor, integral butterfly valve, ratio regulator, burner body, combustion chamber, nozzle (specific to fuel used), rear cover, spark and flame rods, and gas orifice (also specific to fuel used).

3.2 Features

The combustion gases from the burner scrub the inner tube surface and produce high heat transfer rates. This, in combination with the high velocity flow through the smaller diameter tubes allows for system efficiencies in excess of 80 %. The smaller ImmersoJet tubes also have smaller

bends which means less tank space is occupied by the tubes. With a combustion chamber that is integral to the burner body, the new version of the ImmersoJet can sit lower on the tank than previous ImmersoJet models.

4 System Design

The design process is divided into the following steps:

- 1 Burner Model Selection
 - Determine net input required for the tank or process
 - Select tube efficiency
 - Calculate gross input required
 - Select burner model
- 2 Tube Design
- 3 Control Methodology
- 4 Ignition System
- 5 Flame Monitoring System
- 6 Combustion Air System: blower and air pressure switch
- 7 Main Gas Shut-Off Valve Train
- 8 Process Temperature Control System

4.1 Burner Model Selection

Determine the Net Input Required to the Tank

The net input to the tank is determined from heat balance calculations. These calculations are based on the heatup and steady-state requirements of the process, and take into account surface losses, tank wall losses and tank heat storage. Detailed guidelines for heat balance calculations are in the Eclipse Combustion Engineering Guide (EFE 825).

Select Tube Efficiency

The efficiency of the tube is the net heat input to the tank divided by the heat input to the tube. Efficiency is determined by the effective tube length. The diameter of the tube has little influence on the efficiency. At a given burner input, the net input to the tank is higher for a longer tube than for a relatively short tube.

It is customary to size conventional immersion tubes for 70% efficiency, a reasonable compromise between fuel economy and tube length. Small diameter tubes occupy less tank space than conventional tubes, however, so their length can easily be increased to provide efficiencies of 80 % or more.

Calculate the Gross Burner Input

Use this formula to calculate gross burner input in Btu/h:

$$\frac{\text{net output to tank}}{\text{tube efficiency}} = \text{gross burner input}$$

4.1.1 Fuel Type

Fuel	Symbol	Gross Heating Value	Specific Gravity	WOBBE Index
Natural Gas	CH ₄ 90 %+	1000 Btu/ft ³ (40.1 MJ/m ³)	0.60	1290 Btu/ft ³
Propane	C ₃ H ₈	2525 Btu/ft ³ (101.2 MJ/m ³)	1.55	2028 Btu/ft ³
Butane	C ₄ H ₁₀	3330 Btu/ft ³ (133.7 MJ/m ³)	2.09	2303 Btu/ft ³

Btu/ft³ at standard conditions (MJ/m³ at normal conditions) BTU/h is based on HHV while kW is based on LHV.

If using an alternative fuel supply, contact Honeywell with an accurate breakdown of the fuel components.

4.1.2 Applications Requiring Special Consideration

ImmersoJet burners are used for firing spray wash tanks, dip tanks, and storage tanks such as those used for fire sprinkler systems. Generally, the small bore system can be used wherever conventional immersion burner systems are used, except where high heat flux off the small bore tube can break down the contents of the tank.

Zinc Phosphate Solutions

High heat fluxes break down the phosphate, forming a heavy insulating sludge, which deposits on tube surfaces and causes rapid tube burnout. To reduce early tube failure, make the immersion tube with electro-polished stainless steel, and limit the burner to the capacity shown in the limited capacity portion of Table “Capacity guide” where capacity is based on tube size.

Iron Phosphate Solutions

These are susceptible to the same problem described above for zinc phosphate solutions. To reduce early tube failure, make the immersion tube with stainless steel. Electro-polishing is not required. Limit the burner to the capacity shown in the limited capacity portion of Table “Capacity guide” where capacity is based on tube size.

Capacity guide

Model	Tube Size, in (mm)	Low-Pressure Packaged Blower, Btu/h (kW)	High-Pressure Packaged Blower, Btu/h (kW)	Remote Blower, Btu/h (kW)	Limited Capacity Zinc Phosphate, Btu/h (kW)	Limited Capacity Iron Phosphate, Btu/h (kW)
IJ-2	2 (50)	190,000 (55)	235,000 (69)	370,000 (108)	110,000 (32)	220,000 (64)
IJ-3	3 (80)	440,000 (129)	550,000 (161)	850,000 (249)	250,000 (73)	500,000 (146)
IJ-4	4 (100)	800,000 (234)	1,000,000 (293)	1,800,000 (527)	440,000 (129)	880,000 (258)
IJ-6	6 (150)	2,000,000 (586)	2,500,000 (733)	3,600,000 (1054)	1,000,000 (293)	2,000,000 (586)
IJ-8	8 (200)	3,200,000 (938)	N/A	4,700,000 (1377)	1,800,000 (527)	3,600,000 (1055)

4.2 Tube Design

Determine Effective Tube Length

Find the required effective tube length using the previously selected tube efficiency, net heat input values, and Figures”

Cooking Oils

To avoid burning the oil, limit heat flux to 50 Btu/h per in² of the tube area.

Highly Viscous Liquids

All immersion systems depend on natural convection currents to carry heat away from the tube and throughout the tank. Convection is minimal in high viscosity solutions such as asphalt, residual oil or molasses. This can severely over-heat the liquid around the tube.

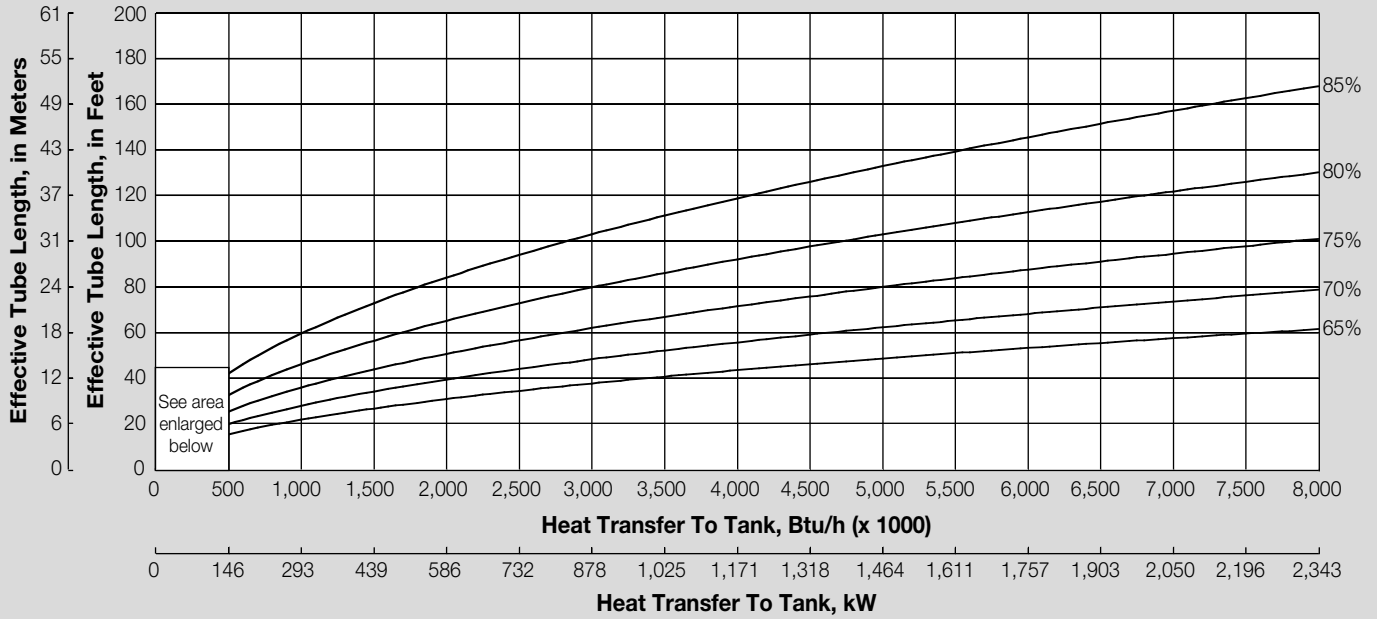
Do not use the ImmersoJet for highly viscous fluids!

Select Burner Model

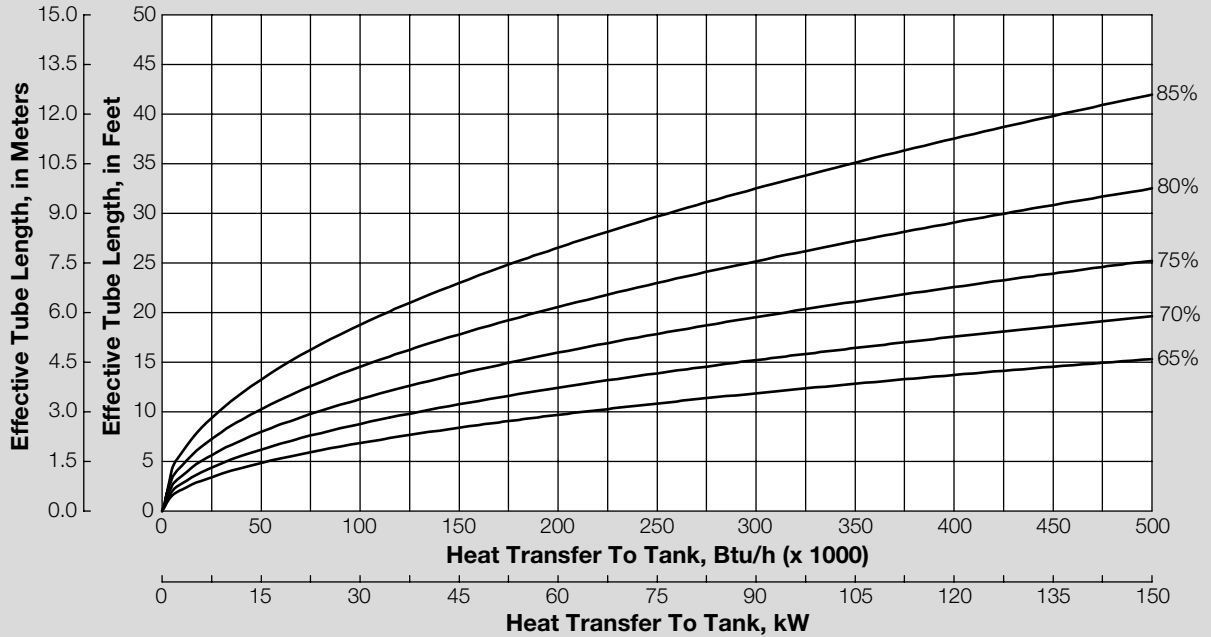
Choose a burner model with a maximum capacity greater than the gross burner input calculated previously. Refer to Table “Capacity guide”.

Effective Tube Length...”. The effective length of a tube is the total centerline length of the tube covered by liquid.

Effective Tube Length to 200 ft.



Effective Tube Length to 50 ft.



Elbows

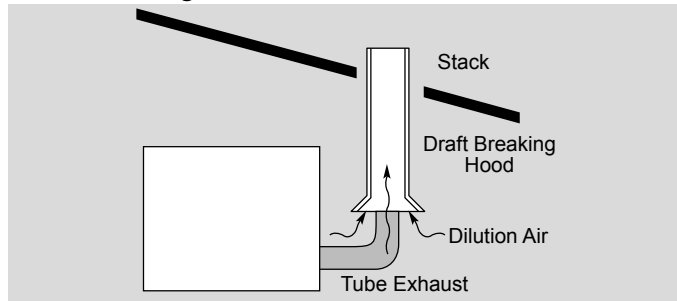
- Use standard and sweep elbows only.
- For optimal burner operation and maximum tube life place the first elbow eight tube diameters from the burner

NOTE: If you use a common stack for more than one burner, then make sure that the stack is large enough to handle the exhaust flow plus any dilution air from all the burners. Detailed guidelines for flue sizing calculations are in the Eclipse Combustion Engineering Guide (EFE 825).

Stack

- Make sure that the stack is large enough to handle the heated exhaust flow plus the dilution air.
- The stack must be at least one pipe size larger than the tube exhaust.

Draft Breaking Hood



A draft breaking hood is an open connection between the heater tube exhaust and the exhaust stack. It allows fresh dilution air to pass into the exhaust and mix with the exhaust gases.

The advantages of a draft hood are:

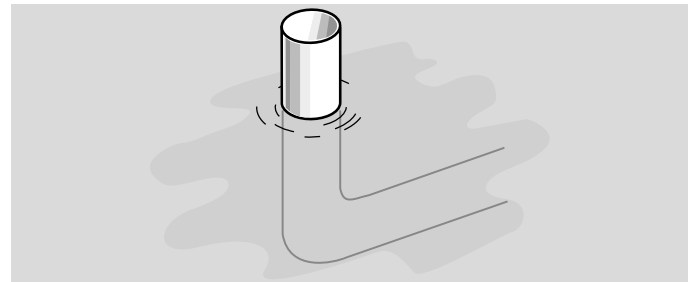
- the burner operation is less sensitive to atmospheric conditions.
- the temperature of the exhaust gases is lower when they pass through the roof.

NOTE: Leave access between the draft hood and the tube exhaust. Install a damper plate if acoustic feedback occurs in the tube.

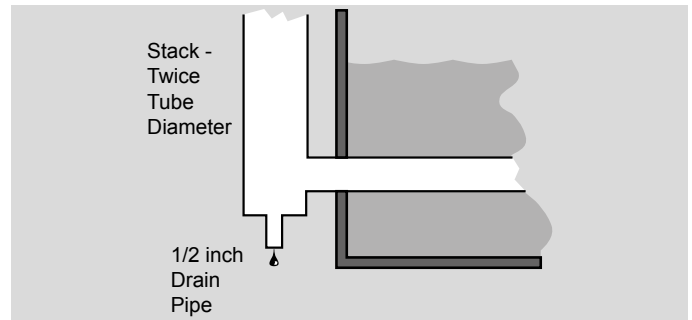
Condensate provisions

If the immersion tube will operate at efficiencies less than 80 %, the exhaust leg can be raised through the liquid surface. For efficiencies of 80 % or higher, locate the exhaust stack outside of the tank and provide a drain. See following figures:

Efficiencies less than 80 %



Efficiencies 80 % or more



NOTE: Regardless of the exhaust design, pitch the immersion tube down towards the exhaust so condensate will not collect at the burner.

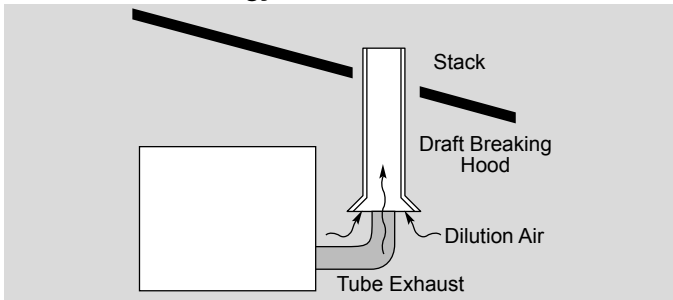
- At efficiencies of 80 % or greater, low exhaust temperatures will cause condensation to form in the tube at start-up or during long idling periods. The higher the efficiency the more condensation will increase.
- To prevent condensation/corrosion from shortening tube life or disrupting burner operation, provide a condensate drain at the exhaust and slope the immersion tube downward, away from the burner.

Tube placement in tank

The tube placement height in the tank should be high enough to avoid the possibility of sludge build-up on the bottom of the tank; however, it should be low enough to avoid tube exposure due to liquid level variations caused by evaporation or displacement. In the latter case use a liquid level switch to shut down the burner

4.3 Control System

Control Methodology

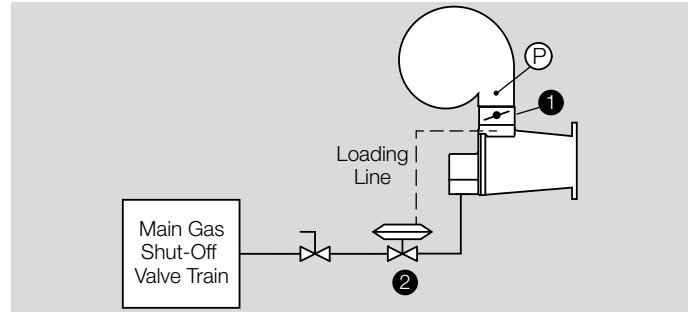


ImmersoJet burners use a modulating on-ratio control system as shown in the figure. To control the heat delivered by the burner, adjust the air flow to the burner. The gas flow will change in proportion to the air flow.

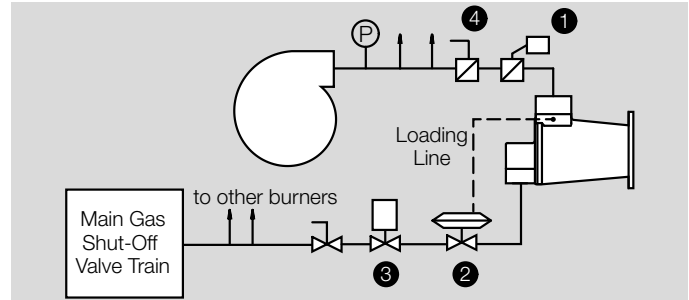
The burner will operate reliably at any input between the low fire and high fire limits stated on the page 19 (5 Technical data).

Components

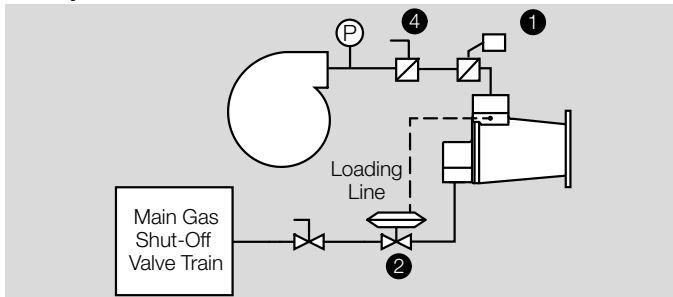
Packaged Blower



Remote Blower with External Air Butterfly Valve



Remote Blower with External Air Butterfly Valve for Multiple Burner Zones



- 1 Automatic butterfly valve
- 2 Ratio regulator: varies gas flow to burner in proportion to air flow.
- 3 Automatic shut-off valve (optional).
- 4 Manual butterfly valve

4.4 Ignition system

For the ignition system you should use

- 6000 VAC transformers
- full wave spark transformers
- one transformer per burner

Do not use

- 10,000 VAC transformers
- twin outlet transformers
- distributor type transformers
- half wave spark transformers

ImmersoJet burners will ignite reliably at any input within the ignition zone shown in the appropriate burner datasheet,

however, it is recommended that low fire start be used. Local safety and insurance requirements demand that you limit the maximum time that a burner takes to ignite. These time limits vary from country to country.

The time that a burner takes to ignite depends on:

- the distance between the gas shut-off valve and the burner
- the air/gas ratio
- the gas flow at start conditions.

In the USA, with a time of 15 s to ignition, there should be sufficient time to ignite the burners. It is possible, however, to have the low fire too low to ignite within the time limit. Under these circumstances you must consider the following options:

- start at higher input levels
- resize and/or relocate the gas controls

4.5 Flame Monitoring System

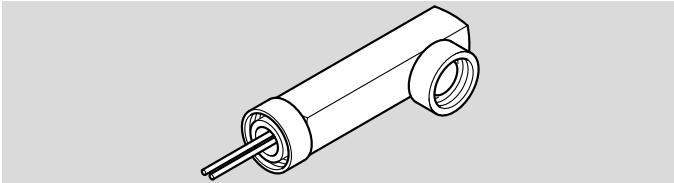
A flame monitoring system consists of two main parts:

a flame sensor

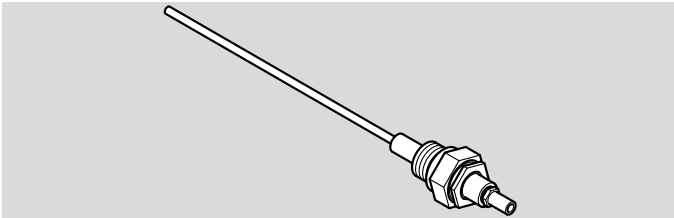
flame monitoring control

Flame sensor

There are two types that you can use for an ImmersoJet burner:



U.V. scanner



flame rod

You can find U.V. scanner information in:

- Info Guide 852; 90° U.V. scanner
- Info Guide 854; straight U.V. scanner
- Info Guide 855; Solid State U.V.I.R. scanner
- Info Guide 856; self-check U.V. scanner.

You can find flame rod information in Bulletin 832 and Information Guide 832.

Flame Monitoring Control

The flame monitoring control is the equipment that processes the signal from the flame rod or the U.V. scanner.

For flame monitoring control you may select several options:

- flame monitoring control for each burner: if one burner goes down, only that burner will be shut off
- multiple burner flame monitoring control: if one burner goes down, all burners will be shut off

Other manufacturer's flame monitoring systems can be used with the burner if spark is maintained for a fixed time interval and is not interrupted when a flame signal is detected during trial for ignition

4.6 Combustion Air System

ImmersoJet burners are sold in these configurations:

- Burner with integral low pressure blower.
- Burner with integral high pressure blower.
- Burner less blower.

NOTE: This section describes how to size a blower for burners purchased without a blower.

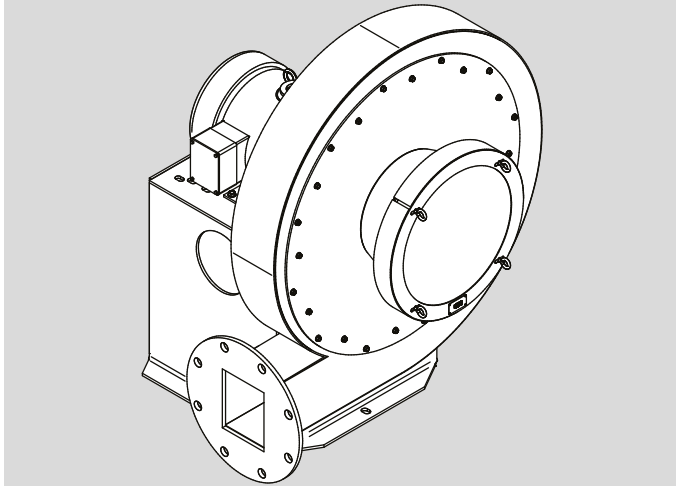
Effects of atmospheric conditions

The blower data is based on the International Standard Atmosphere (ISA) at Mean Sea Level (MSL), which means that it is valid for:

- sea level
- 29.92 "Hg (1,013 mbar)
- 70°F (21°C)

The make-up of the air is different above sea level or in a hot area. The density of the air decreases, and as a result, the outlet pressure and the flow of the blower decrease. An

accurate description of these effects is in the Eclipse Combustion Engineering Guide (EFE 825). The Guide contains tables to calculate the effect of pressure, altitude and temperature on air.



SMJ Turbo Blower

Blower

The rating of the blower must match the system requirements. You can find all the blower data in Bulletin 610.

Follow these steps:

1. Calculate the outlet pressure.

When calculating the outlet pressure of the blower, the total of these pressures must be calculated.

- the static air pressure required at the burner
- the total pressure drop in the piping
- the total of the pressure drops across the valves

- the pressure in the immersion tube
- recommend a minimum safety margin of 10%

2. Calculate the required flow

The blower output is the air flow delivered under standard atmospheric conditions. It must be enough to feed all the burners in the system at high fire.

Combustion air blowers are normally rated in terms of standard cubic feet per hour (scfh) of air.

An example calculation follows the information tables below:

Required Calculation Information

Description	Unit of Measure	Formula Symbol
Total system heat input	Btu/h	Q
Number of burners	–	
Type of fuel	–	
Gross heating value of fuel	Btu/ft ³	q
Desired excess air percentage (Typical excess air percentage @ high fire is 15%)	percent	%
Air/Gas ratio (Fuel specific, see table below)	–	
Air flow	scfh	V _{air}
Gas flow	scfh	V _{gas}

Fuel Gas Heating Values

Fuel Gas	Stoichiometric* Air/ Gas Ratio α (ft ³ _{air} /ft ³ _{gas})	Gross Heating Value q (Btu/ft ³)
Natural Gas (Birmingham, AL)	9.41/1	1002
Propane	23.82/1	2572
Butane	30.47/1	3225

* *Stoichiometric: No excess air: The precise amount of air and gas are present for complete combustion.*

Application example

A designer of a spray washer has determined the heat input for the water tank requires 857,500 Btu/h. Based on the size of his tank, he has selected a tube efficiency of 70% which results in a gross burner input of 1,225,000

4.6.1 Calculation example to determine the air flow requirement

a. Decide which ImmersoJet model is appropriate

- From the capacity table, either the 4" with a remote blower (1,800,000 Btu/h), or the 6" with the low pressure packaged blower (2,000,000 Btu/h) have sufficient capacity. For this example, the designer selects the 4" tube because his tank size limits the amount of the larger 6" tube that will fit.
- Select an IJ004, 4" diameter tube ImmersoJet burner with a remote blower for a maximum firing rate of 1,225,000 Btu/h.

b. Calculate the required gas flow

$V_{\text{gas}} = Q/q = 1,225,000 \text{ Btu/h} / 1,002 \text{ Btu/ft}^3 = 1,223 \text{ ft}^3/\text{h}$
Gas flow of 1,223 ft³/h is required.

c. Calculate the required stoichiometric air flow

$V_{\text{air-stoichiometric}} = \alpha (\text{air/gas ratio}) \times V_{\text{gas}} =$
 $9.41 \times 1,223 \text{ ft}^3/\text{h} = 11,508 \text{ ft}^3/\text{h}$

Stoichiometric air flow of 11,508 scfh required

d. Calculate the final blower air flow requirement based on 15% excess air at high fire

$V_{\text{air}} = (1 + \text{excess air \%}) \times V_{\text{air-stoichiometric}} =$
 $(1 + 0.15) \times 11,508 \text{ ft}^3/\text{h} = 13,234 \text{ ft}^3/\text{h}$

For this example, final blower air flow requirement is 13,234 scfh at 15% excess air.

NOTE: It is common practice to add an additional 10% to the final blower air flow requirement as a safety margin.

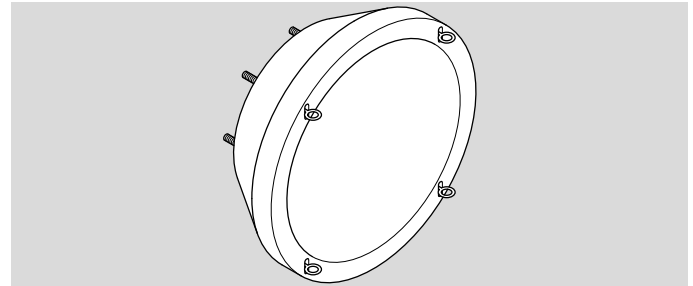
3. Find the blower model number and motor horsepower (hp).

With the output pressure and the specific flow, you can find the blower catalog number and the motor hp in Bulletin 610.

4. Select the other parameters

- inlet filter or inlet grille
- inlet size (frame size)
- voltage, number of phases, frequency
- blower outlet location, and rotation direction Clockwise (CW) or Counter Clockwise (CCW)

NOTE: The use of an inlet air filter is strongly recommended. The system will perform longer and the settings will be more stable.



Inlet filter with replaceable filter element

NOTE: When selecting a 60 Hz blower for use on 50 Hz, a pressure and capacity calculation is required. See Eclipse Combustion Engineering Guide (EFE 825).

The total selection information you should now have:

- blower model number

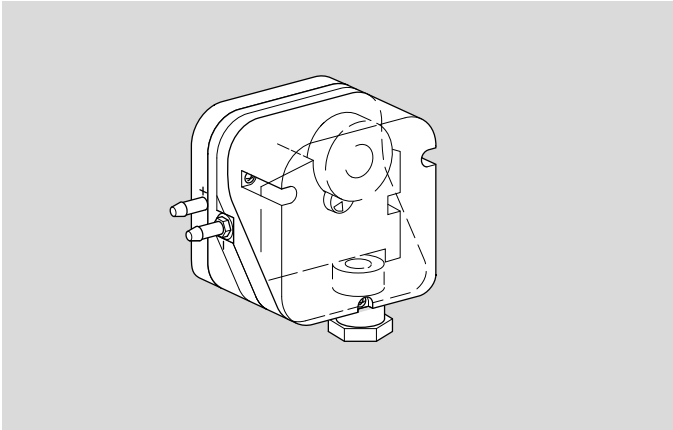
4 System Design

- motor hp
- motor enclosure (TEFC)
- voltage, number of phases, frequency
- rotation direction (CW or CCW).

Air pressure switch

The air pressure switch gives a signal to the monitoring system when there is not enough air pressure from the blower.

You can find more information on pressure switches in Blower Bulletin 610.



Eclipse Combustion supports NFPA regulations, which require the use of an air pressure switch in conjunction with other safety components, as a minimum standard for main gas safety shut-off systems.

4.7 Main Gas Shut-Off Valve Train

Consult Honeywell

Honeywell can help you design and obtain a main gas shut-off valve train that complies with the current safety standards.

The shut-off valve train must comply with all the local safety standards set by the authorities that have jurisdiction.

For details, please contact your local Honeywell representative.

NOTE: Honeywell Combustion supports NFPA regulations (two shut-off valves) as a minimum standard for main gas safety shut-off systems.



4.8 Process Temperature Control System

Consult Honeywell

The process temperature control system is used to control and monitor the temperature of the system. There is a wide variety of control and measuring equipment available.

For details, please contact your local Honeywell representative.

5 Technical data

5.1 Blower size

CO Emissions: <100 ppm

Piping: NPT or BSP

Flame Detection: Flamerod or UV Scanner

Fuel: Natural Gas, Propane, Butane

For any other mixed gas, contact Eclipse.

Different fuels require different nozzles and orifices. See Design Guide 330 for more information about typical fuel composition and properties.

5.1.1 Low Pressure Packaged Blower

Model	Maximum Input BTU/h (kW)	Minimum Input BTU/h (kW)	Air Inlet Pressure "w.c. (mbar) @ Max Input Air pres- sure at burner inlet (Tap "A")	Blower Motor Hp (kW)	Main Gas Pressure Supplied to Regulator "w.c. (mbar)	Backpressure "w.c. (mbar)	Weight lbs (kg)
IJ-2	190,000 (55.6)	25,000 (7.3)	7.4 (18.4)	0.25 (0.2)	12.0 - 27.7 (29.9 - 68.9)	1.0 (2.5)	70 (31.8)
IJ-3	440,000 (129)	28,000 (8.2)	7.7 (19.1)	0.33 (0.3)	14.0 - 27.7 (34.9 - 68.9)	1.6 (3.9)	95 (43)
IJ-4	830,000 (243.3)	100,000 (29.3)	7.8 (19.4)	0.5 (0.37)	10 - 125 (24.9 - 311.4)	2.0 (4.9)	115 (52)
IJ-6	2,000,000 (586.1)	300,000 (87.9)	9.0 (22.4)	1.5 (1.1)	16 - 125 (39.9 - 311.4)	2.6 (6.5)	275 (125)

5.1.2 High Pressure Packaged Blower

Model	Maximum Input BTU/h (kW)	Minimum Input BTU/h (kW)	Air Inlet Pressure "w.c. (mbar) @ Max Input Air pres- sure at burner inlet (Tap "A")	Blower Motor Hp (kW)	Main Gas Pressure Supplied to Regulator "w.c. (mbar)	Backpressure "w.c. (mbar)	Weight lbs (kg)
IJ-2	235,000 (68.9)	25,000 (7.3)	10.8 (26.8)	0.33 (0.3)	13.0 - 27.7 (32.3 - 68.9)	1.5 (3.7)	75 (34.0)
IJ-3	550,000 (161)	28,000 (8.2)	11.5 (28.6)	0.5 (0.4)	14.0 - 27.7 (34.8 - 68.9)	2.6 (6.4)	100 (45)
IJ-4	1,000,000 (293.1)	100,000 (29.3)	10.5 (26.2)	1.0 (0.75)	13 - 125 (32.4 - 311.4)	3.8 (9.5)	120 (54)
IJ-6	2,500,000 (732.7)	300,000 (87.9)	14.4 (35.8)	3.0 (2.2)	21 - 125 (52.3 - 311.4)	4.0 (9.9)	290 (131)

5.1.3 Packaged Blower

Model	Maximum Input BTU/h (kW)	Minimum Input BTU/h (kW)	Air Inlet Pressure "w.c. (mbar) @ Max Input Air pres- sure at burner inlet (Tap "A")	Blower Motor Hp (kW)	Main Gas Pressure Supplied to Regulator "w.c. (mbar)	Backpressure "w.c. (mbar)	Weight lbs (kg)
IJ-8	3,500,000 (1024.8)	300,000 (87.9)	16.5 (41.1)	3.0 (2.2)	21 - 125 (52.3 - 311.4)	2.0 (4.9)	290 (131)

5.1.4 Remote Blower

Model	Maximum Input BTU/h (kW)	Minimum Input BTU/h (kW)	Air Inlet Pressure "w.c. (mbar) @ Max Input Air pres- sure at burner inlet (Tap "A")	Blower Motor Hp (kW)	Main Gas Pressure Supplied to Regulator "w.c. (mbar)	Backpressure "w.c. (mbar)	Weight lbs (kg)
IJ-2	370,000 (108,4) Bu- tane & Propane 340,000 (100) Natu- ral Gas	25,000 (7.3)	26.5 (65.9)	As Speci- fied	27.0 - 27.7 (67.2 - 68.9)	3.7 (9.2)	45 (20.0)
IJ-3	850,000 (249)	28,000 (8.2)	26.0 (64.7)	As Speci- fied	27.0 - 27.7 (67.2 - 68.9)	6.1 (15.1)	60 (27)
IJ-4	1,800,000 (527.5)	100,000 (29.3)	33 (82.2)	As Speci- fied	34 - 125 (84.7 - 311.4)	12.2 (30.4)	75 (34)
IJ-6	3,600,000 (1055.1)	300,000 (87.9)	30.0 (74.7)	As Speci- fied	41 - 125 (102.1 - 311.4)	8.3 (20.6)	185 (84)
IJ-8	4,800,000 (1405.5)	300,000 (87.9)	19.5 (48.6)	As Speci- fied	28 - 128 (69.8 - 318.8)	3.8 (9.5)	185 (84)

All information is based on laboratory testing with a tube effective length of 21.6 feet (6.58 m). Different tube sizes and conditions may affect the data.

All information is based on standard tube design. Changes in the tube will alter performance and pressures.

All inputs based upon gross calorific values (HHV).

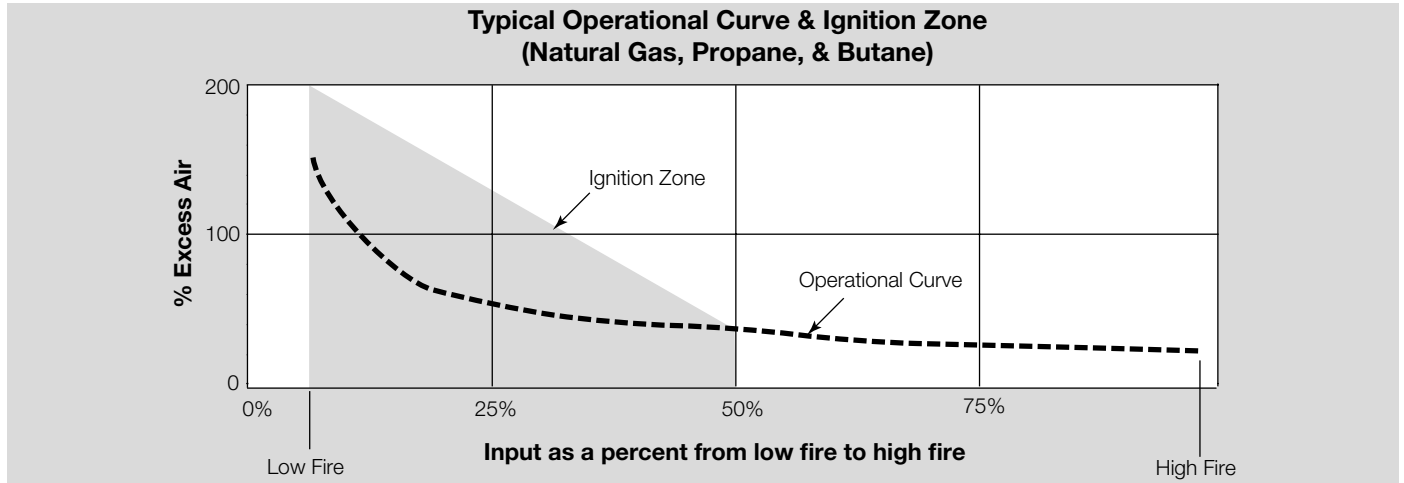
Eclipse reserves the right to change the construction and/or configuration of our products at any time without being obliged to adjust earlier supplies accordingly.

Plumbing of air and gas will affect accuracy of orifice readings. All information is based on generally acceptable air and gas piping practices.

Packaged blower performance data based on 60 Hz.

5.2 Performance Graphs

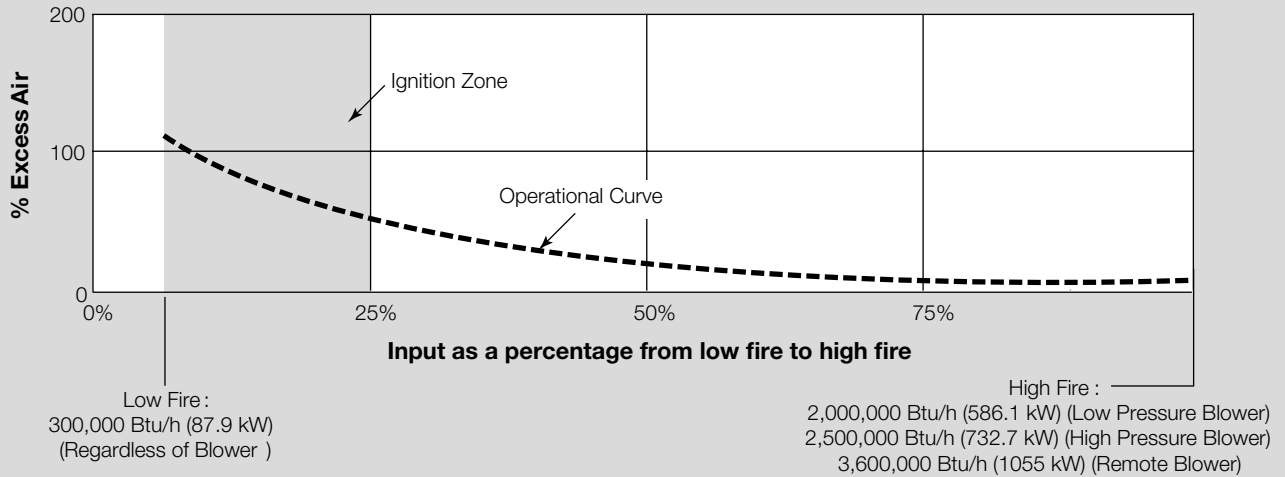
5.2.1 IJ-2, IJ-3, IJ-4



Model	Low Fire (Regardless of Blower)	High Fire
IJ-2	25,000 BTU/hr (8,2 kW)	190,000 BTU/hr (55,7 kW) (6" w.c. Blower) 235,000 BTU/hr (68,9 kW) (10" w.c. Blower) 340,000 BTU/hr (100 kW) (Remote Blower) (Natural Gas) 370,000 BTU/hr (108,4 kW) (Remote Blower) (Butane & Propane)
IJ-3	28,000 BTU/hr (8,2 kW)	440,000 BTU/hr (128,9 kW) (6" w.c. Blower) 550,000 BTU/hr (161,2 kW) (10" w.c. Blower) 850,000 BTU/hr (249,1 kW) (Remote Blower)
IJ-4	100,000 BTU/hr (29,31 kW)	830,000 BTU/hr (243,25 kW) (6" w.c. Blower) 1,000,000 BTU/hr (293,07 kW) (10" w.c. Blower) 1,800,000 BTU/hr (527,53 kW) (Remote Blower)

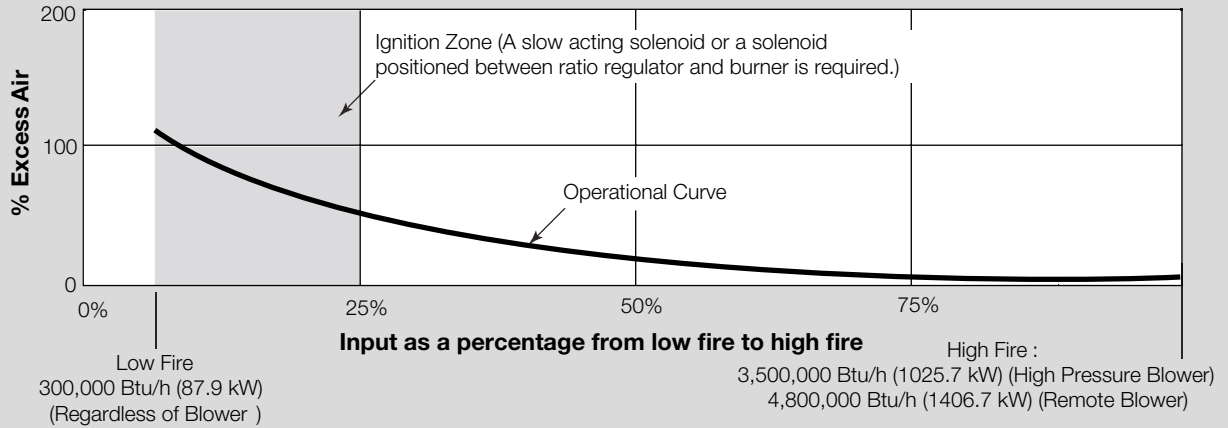
5.2.2 IJ-6

**Typical Operational Curve & Ignition Zone
(Natural Gas, Propane, & Butane)**



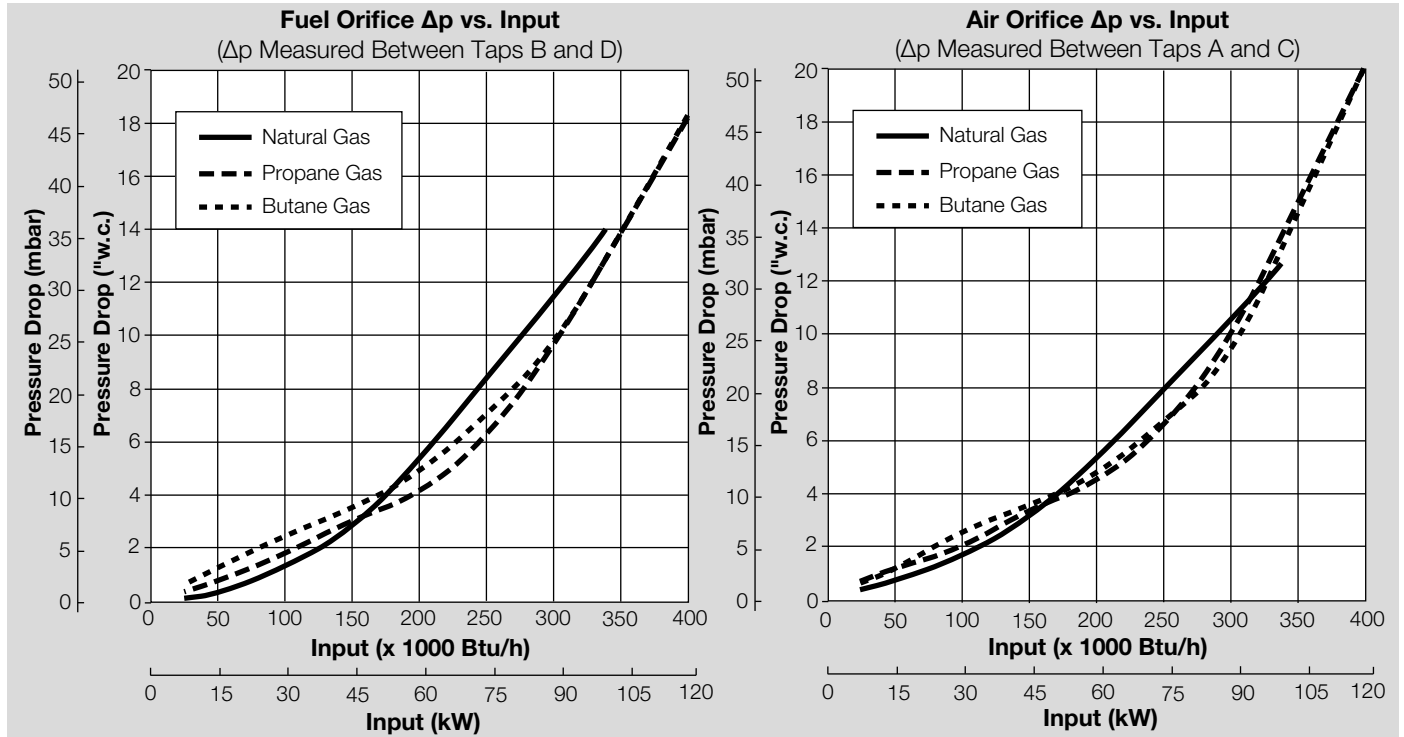
5.2.3 IJ-8

**Typical Operational Curve & Ignition Zone
(Natural Gas, Propane & Butane)**

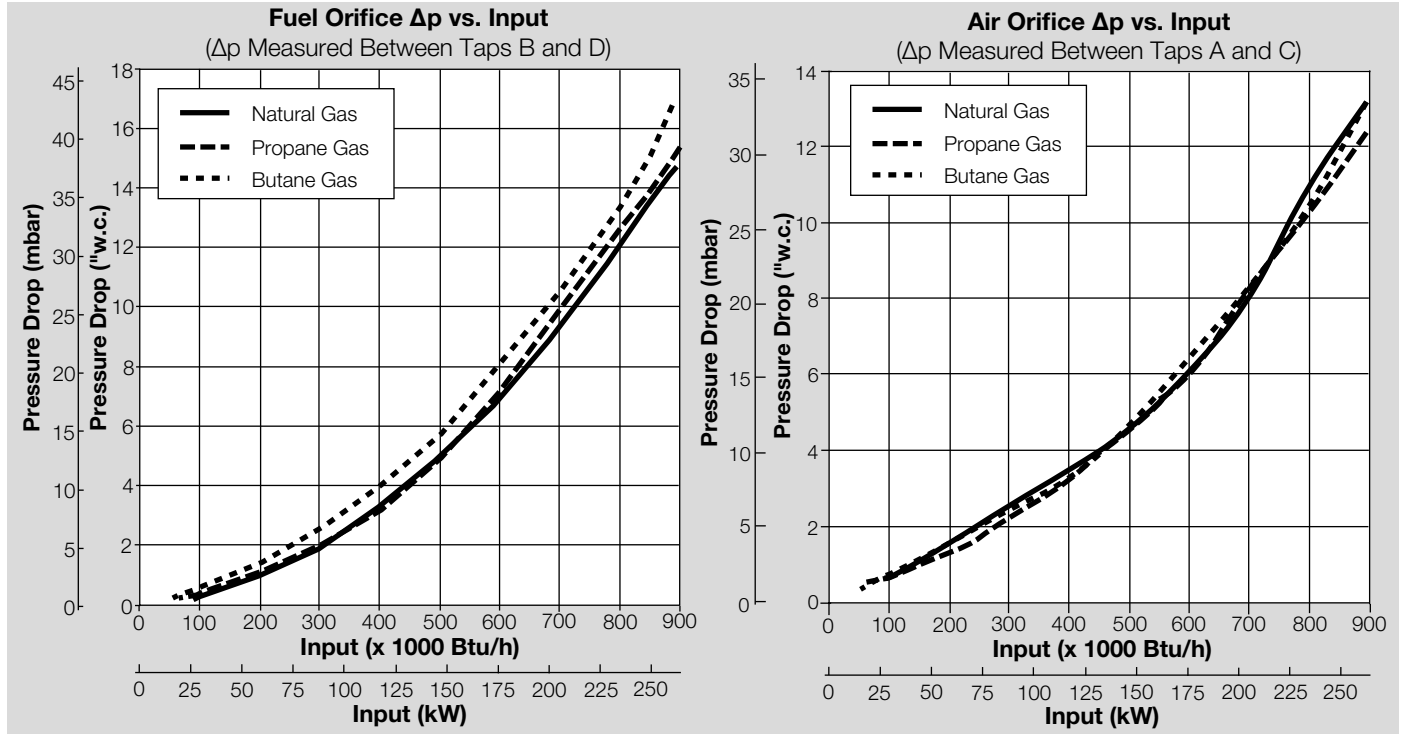


5.3 Gas and air orifices

5.3.1 IJ-2

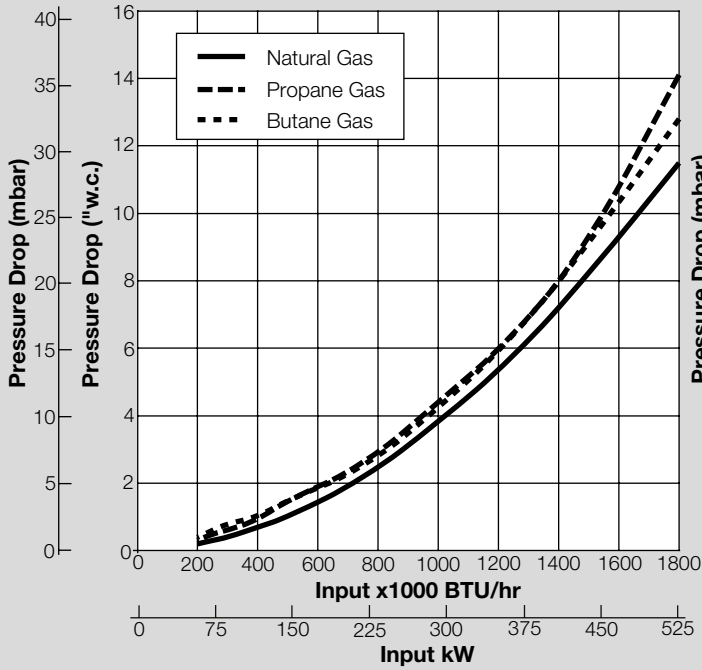


5.3.2 IJ-3

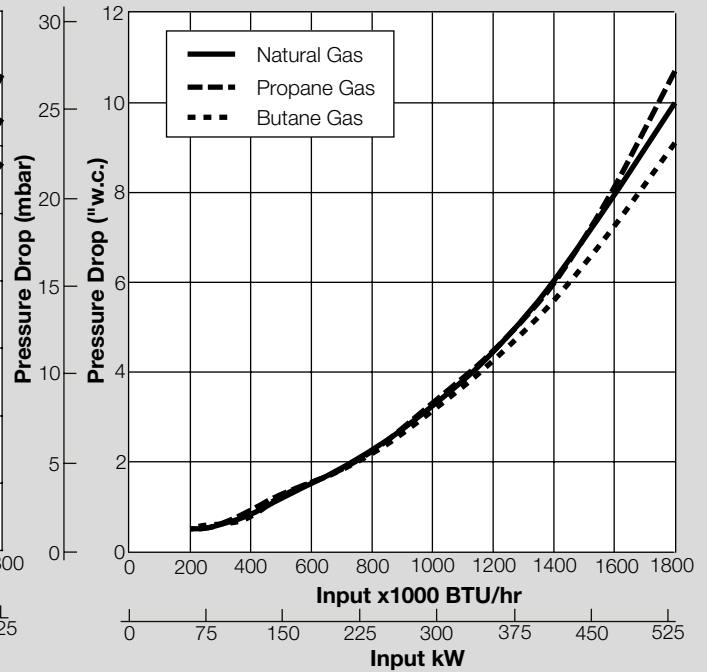


5.3.3 IJ-4

Gas Orifice Δp vs. Input
Measured from Tap "B" to Tap "D"



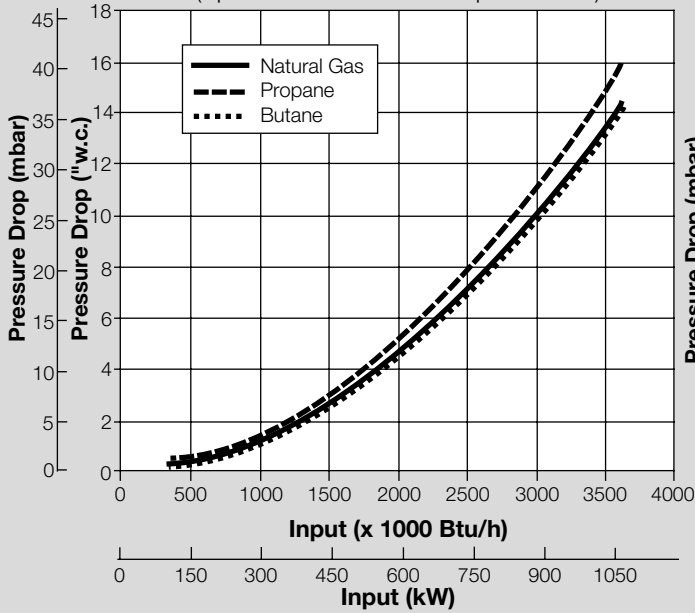
Air Orifice Δp vs. Input @ 3% O₂
Measured from Tap "A" to Tap "C"



5.3.4 IJ-6

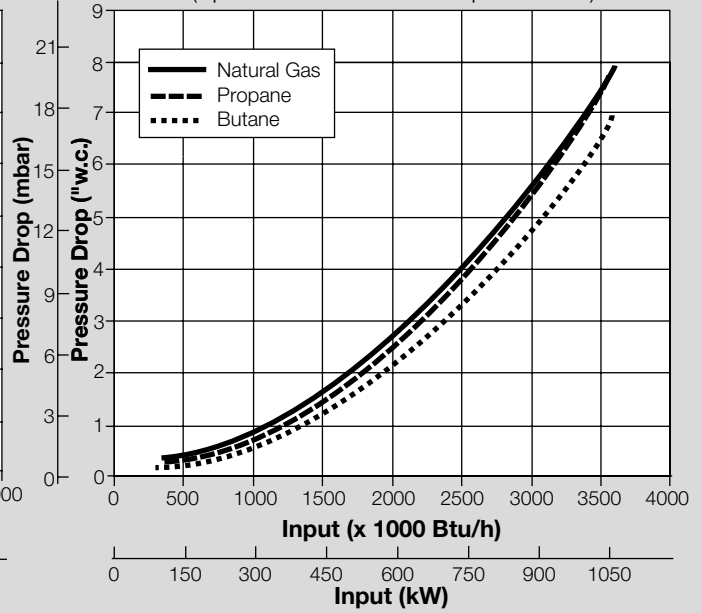
Fuel Orifice Δp vs. Input

(Δp Measured Between Taps B and D)



Air Orifice Δp vs. Input

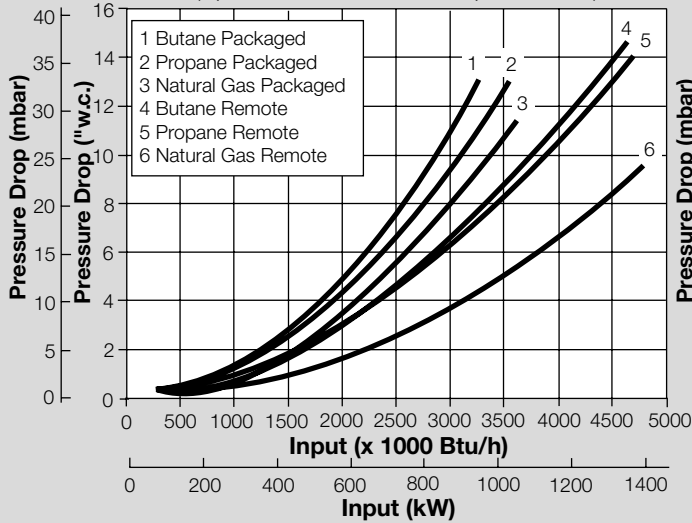
(Δp Measured Between Taps A and C)



5.3.5 IJ-8

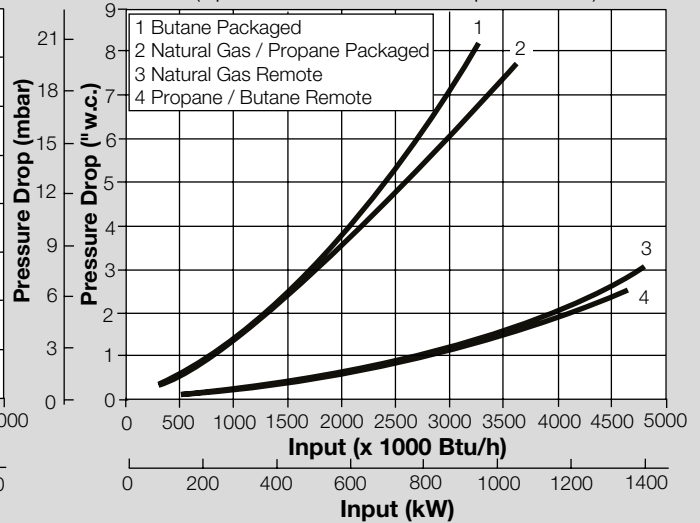
Fuel Orifice Δp vs. Input

(Δp Measured Between Taps B and D)

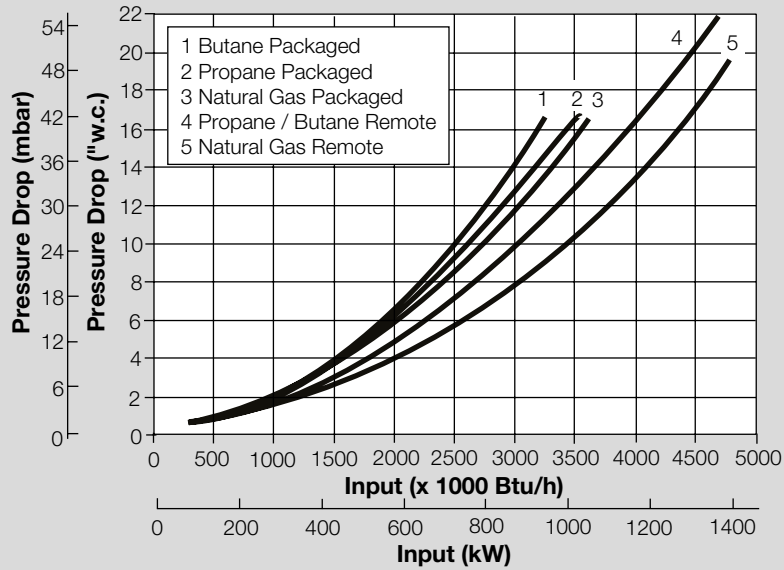


Air Orifice Δp vs. Input

(Δp Measured Between Taps A and C)



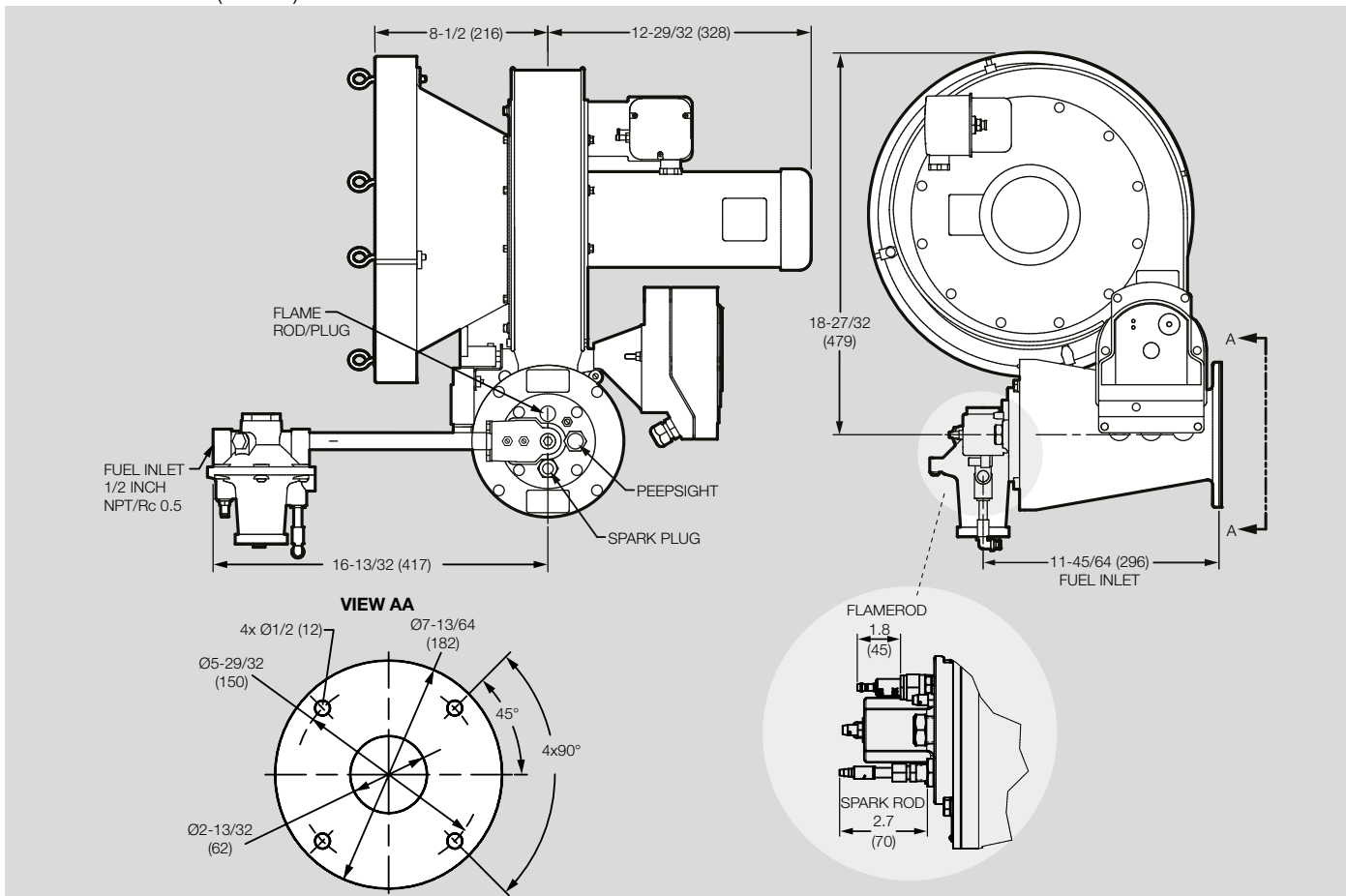
**Loading Line Pressure vs. Input
Measured at Tap "A"**



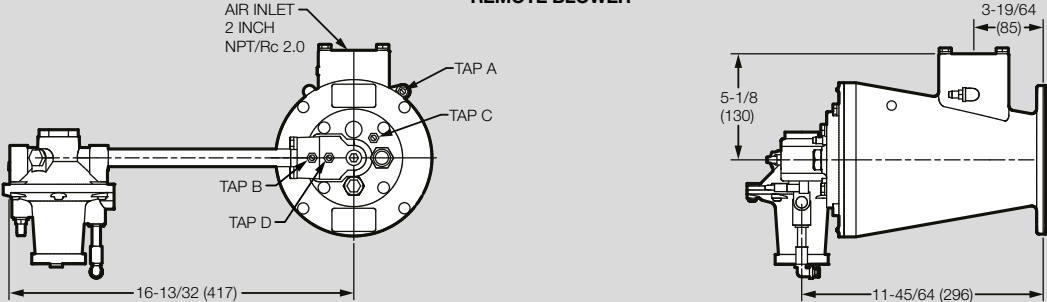
5.4 Dimensions and Specifications

5.4.1 IJ-2

Dimensions in mm (Inches)

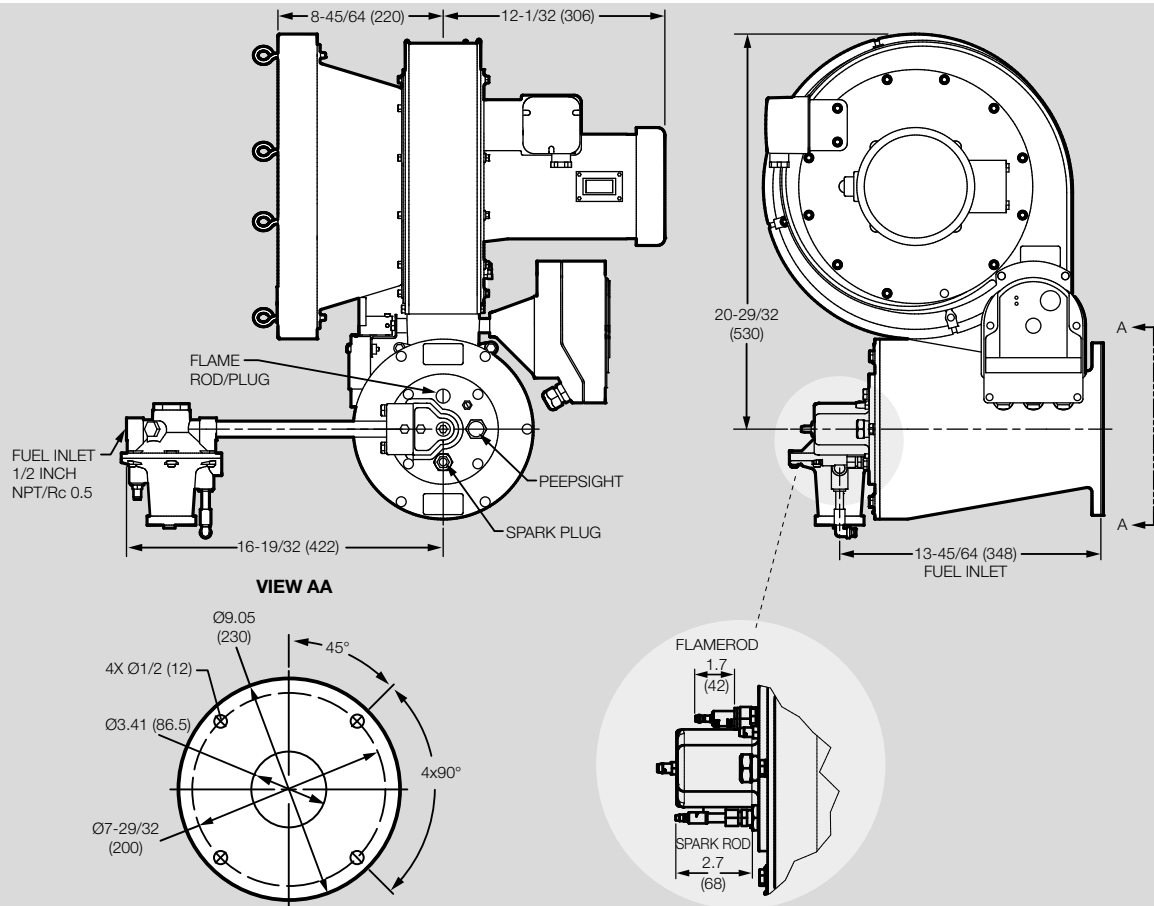


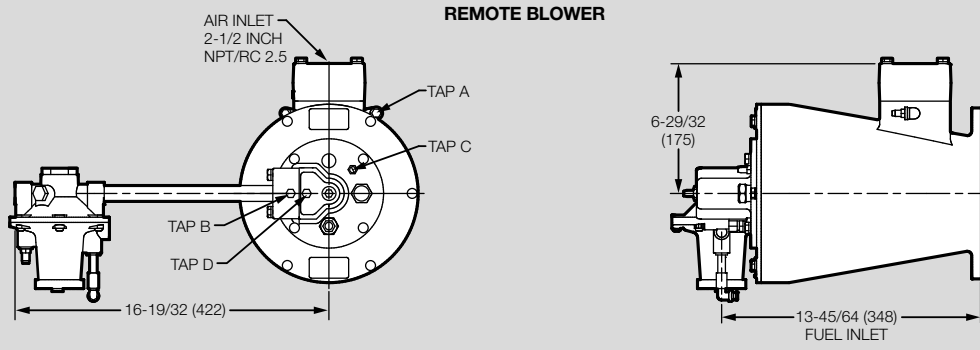
REMOTE BLOWER



NOTE: DIMENSIONS CORRESPOND TO LARGEST BLOWER CONFIGURATION

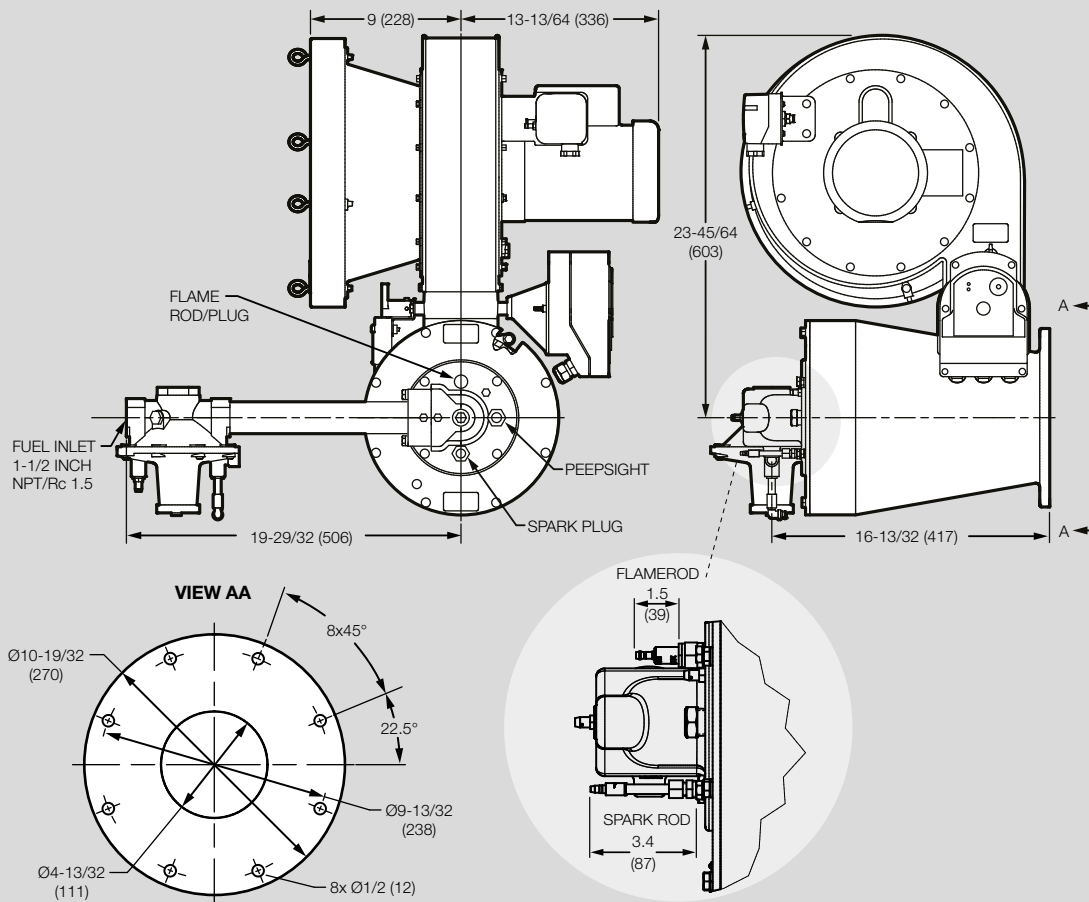
5.4.2 IJ-3

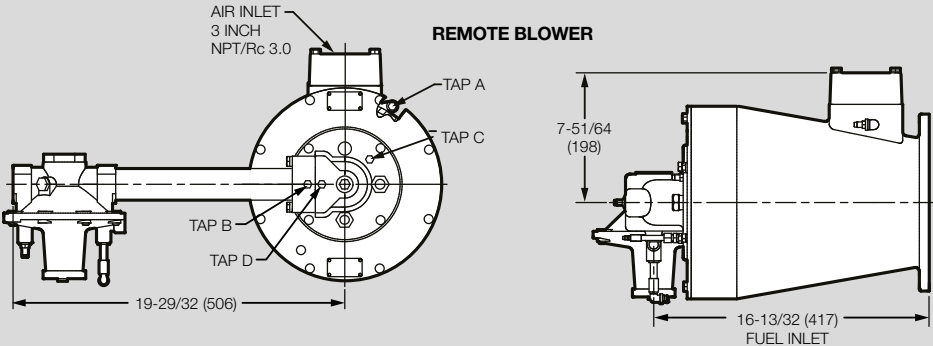




NOTE: DIMENSIONS CORRESPOND TO LARGEST BLOWER CONFIGURATION

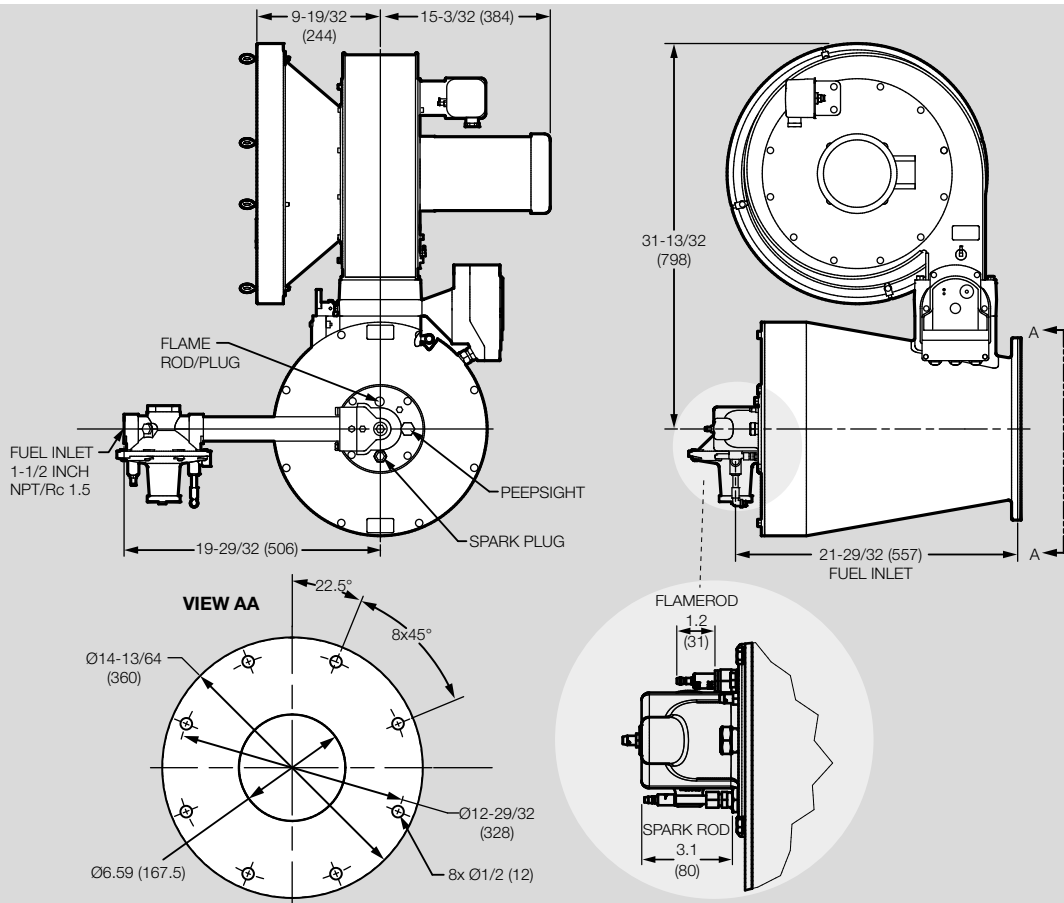
5.4.3 IJ-4

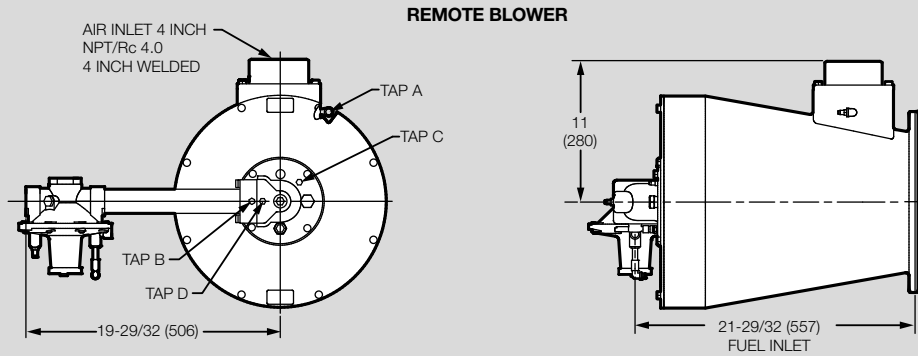




NOTE: DIMENSIONS CORRESPOND TO LARGEST BLOWER CONFIGURATION

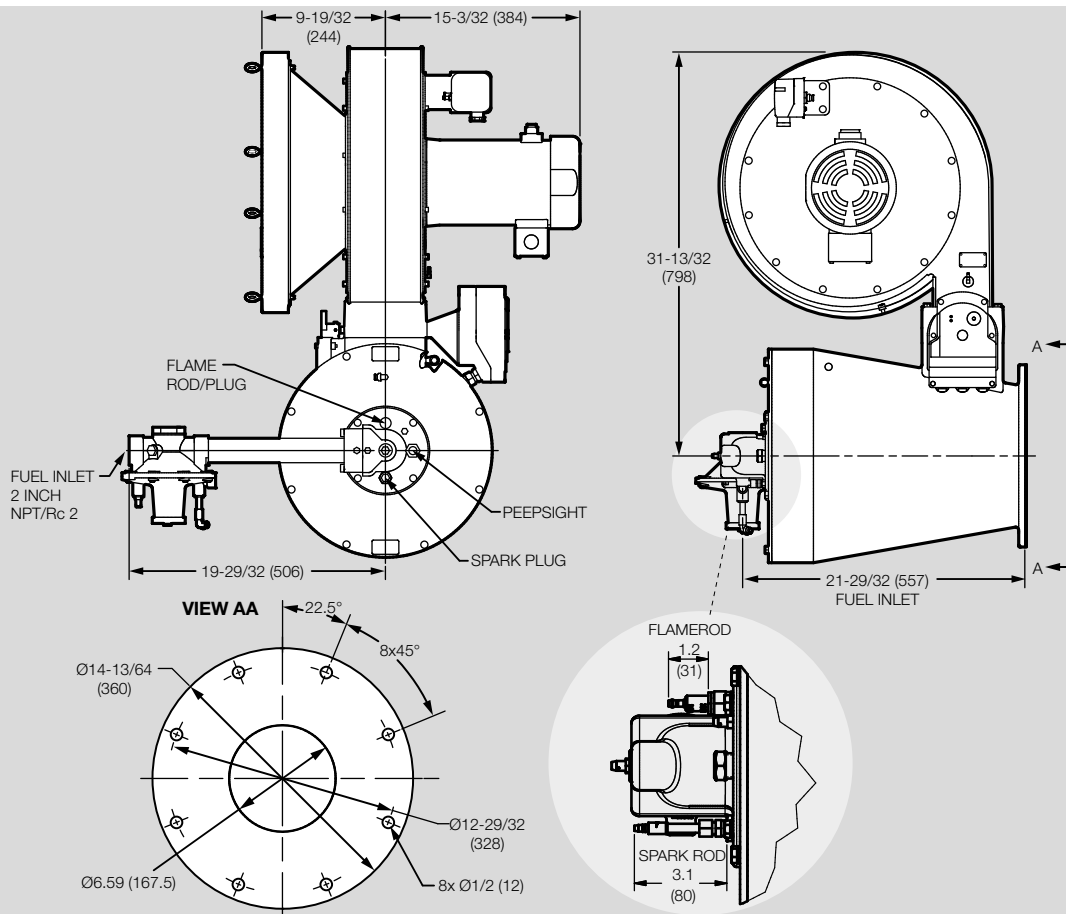
5.4.4 IJ-6

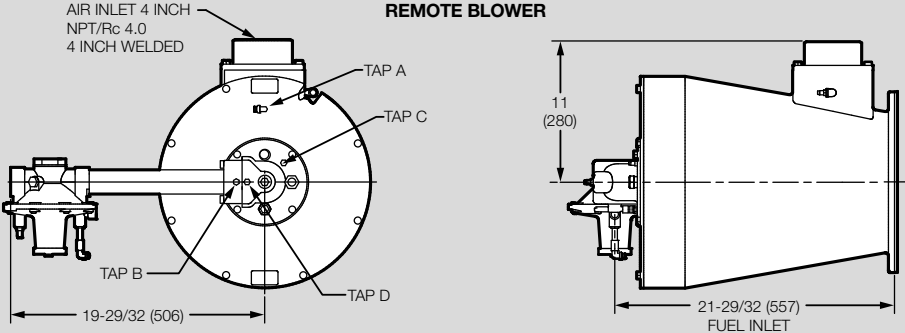




NOTE: DIMENSIONS CORRESPOND TO LARGEST BLOWER CONFIGURATION

5.4.5 IJ-8



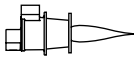
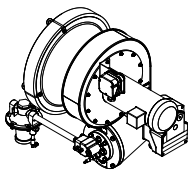

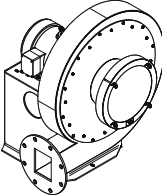
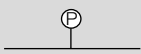
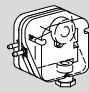
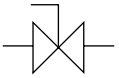
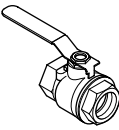
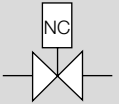
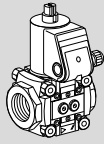


NOTE: DIMENSIONS CORRESPOND TO LARGEST BLOWER CONFIGURATION

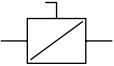
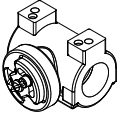
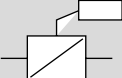
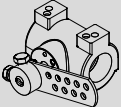
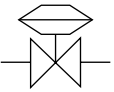

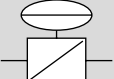
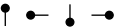
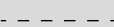
6 **Converting units**

See www.adlatus.org

7 System Schematics

Symbol	Appearance	Name	Remarks	Bulletin/Info Guide
		ImmersoJet burner		
Main Gas Shut-Off Valve Train		Main Gas Shut-Off Valve Train	Eclipse Combustion, Inc. strongly endorses 756 NFPA as a minimum.	756
		Combustion air blower	The combustion air blower provides the 610 combustion air to the burner(s).	610
		Pressure Switch	A switch activated by rise or fall in pressure. A manual reset version requires pushing a button to transfer the contacts when the pressure set point is satisfied.	610I-354
		Gas Cock	Gas cocks are used to manually shut off the gas supply.	710
		Solenoid valve (normally closed)	Solenoid valves are used to automatically shut off the gas supply on a bypass gas	760

7 System Schematics

Symbol	Appearance	Name	Remarks	Bulletin/Info Guide
		Manual Butterfly Valve	Manual butterfly valves are used to balance the air or gas flow at each burner.	720
		Automatic Butterfly Valve	Automatic butterfly valves are typically used to set the output of the system.	720
		Ratio Regulator	A ratio regulator is used to control the air/gas ratio. The ratio regulator is a sealed unit that adjusts the gas flow in ratio with the air flow. To do this, it measures the air pressure with a pressure sensing line, the impulse line. This impulse line is connected between the top of the ratio regulator and the air supply line. The cap must stay on the ratio regulator after adjustment.	742
		CRS Valve	A CRS valve is used in a high/low timeproportional control system to quickly open and close the air supply.	744
		Pressure Taps	Pressure taps measure static pressure. The schematics show the advised positions of the pressure taps.	
		Impulse Line	The impulse line connects the ratios regulator to the air supply line.	

For more information

The Honeywell Thermal Solutions family of products includes Honeywell Combustion Safety, Eclipse, Exothermics, Hauck, Kromschroder and Maxon. To learn more about our products, visit ThermalSolutions.honeywell.com or contact your Honeywell Sales Engineer.

Honeywell Eclipse branded products

201 E 18th Street

Muncie, IN 47302

USA

ThermalSolutions.honeywell.com

© 2023 Honeywell International Inc.

We reserve the right to make technical modifications in the interests of progress.

