

HONEYWELL **ELSTER JEAVONS** **J125B**

Service Regulator
Inlet pressures up to 8.6bar



Commissioning Instructions

General Arrangements

Parts Lists

Maintenance Instructions

For: J125B MKII Regulator with balanced valve

1 ½", 2" & 50mm size

J125B: Commissioning Instructions

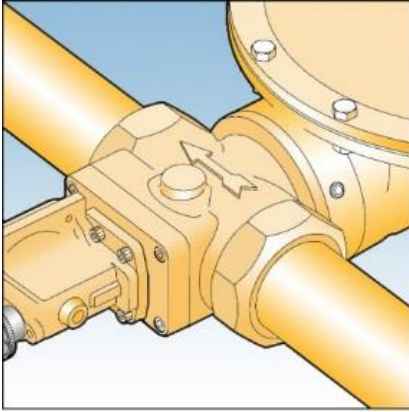


Fig. 1

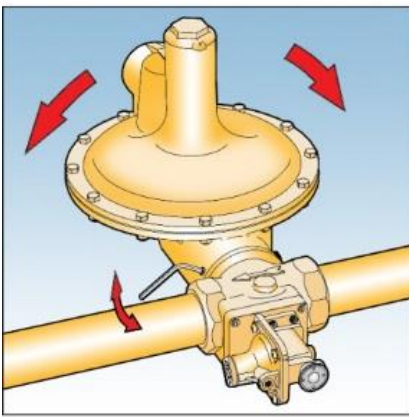


Fig. 2

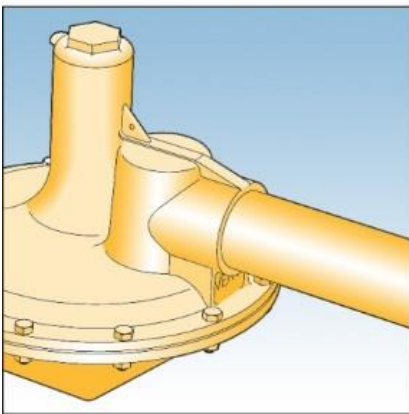


Fig. 3

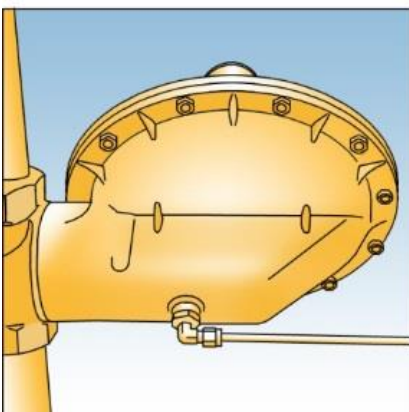


Fig. 4

OPERATING INSTRUCTIONS

- Ensure that this product is suitable for the chosen application.
- Installation, adjustment and maintenance by authorised, trained personnel only.
- When being fitted to an appliance, refer to the appliance manufacturers instructions.

Warning! Incorrect installation, adjustment, modification, operation and maintenance may cause injury or damage. Read the instructions before use. This control must be installed in accordance with the rules in force.

FITTING REGULATOR INTO PIPEWORK

1. The unit should not be installed in a corrosive environment.
2. The ambient temperature (surface temperature) should be within the limits stated on the regulator catalogue.
3. Check the maximum allowable pressure on the regulator nameplate against the installation specification.
4. Remove the protection plugs from inlet and outlet ports.
5. Ensure that installation pipework is thoroughly clean.
6. The direction of gas flow must be the same as arrows on regulator body. See Fig. 1.
7. Install the regulator into pipework using jointing compound approved to national standards.
8. In order to fit the regulator into confined spaces it may be necessary to rotate the diaphragm case. This is achieved by slacking off the three set screws, rotating the diaphragm case, and then re-tightening the set screws evenly. See Fig. 2.
9. For units with no OPSS fitted it is advised that a slam shut device is fitted to protect downstream equipment.

INSTALLATION OF VENT LINE.

1. Remove clip and vent screen from regulator top cover.
2. Connect the vent line (2"), using a jointing compound approved to national standards, and lead to atmosphere in accordance with national standards. Ensure that no water can penetrate vent pipeline. See Fig. 3.
3. If the regulator is fitted with an internal relief valve, ensure that the vent line is of sufficient diameter to carry gas vented by the relief valve to a safe outside location. Reference to any national standard.

INSTALLATION OF IMPULSE LINE

4. Remove the plastic protection plug.
5. Connect the impulse line (1/2"), using a jointing compound approved to national standards, and lead to a point downstream not less than fifteen times the nominal pipe diameter from the outlet. See Fig. 4.

FOR PRE-SET UNITS ONLY.

1. Turn off downstream valves.
2. Slowly turn on inlet supply.
3. If safety shut-off device is not fitted, go to instruction 6.

J125B: Commissioning Instructions

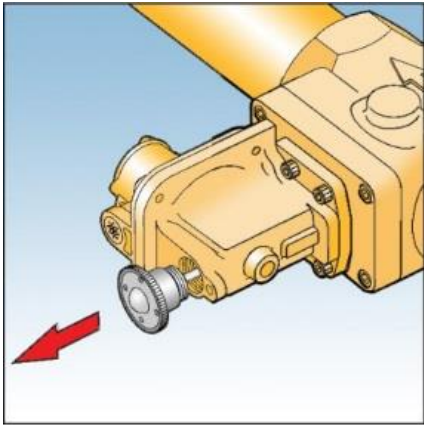


Fig. 5

4. If safety shut-off device is fitted unscrew reset spindle end cap and firmly pull. Hold in this position until the outlet pipework is fully pressurized, then release reset spindle end cap gently. See Fig. 5.
5. Re-screw reset spindle end cap into body, ensuring not to jam reset spindle.
6. Commission downstream appliances.

WARNING: DO NOT UNDER ANY CIRCUMSTANCES WEDGE OPEN SAFETY SHUT-OFF RESET END CAP AS THIS WILL NOT ALLOW THE SAFETY DEVICE(S) TO FUNCTION IN ADVERSE PRESSURE CONDITIONS.

SETTING THE REGULATOR & SAFETY SHUT OFF DEVICE PRESSURES.

OPSS = Over Pressure Safety Shut-off.

UPSS = Under Pressure Safety Shut-off.

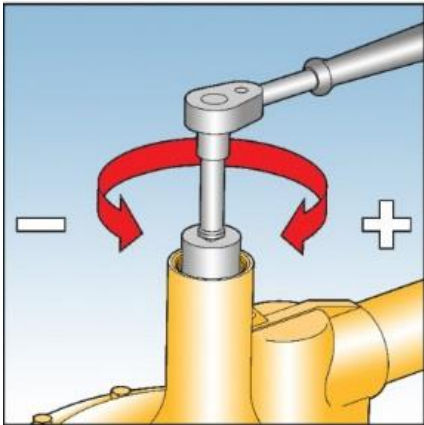


Fig. 6

1. Turn off inlet and outlet valves.
2. Remove top cap from regulator cover.
3. Insert an 1/4" A/F socket over the top of the adjustment screw.
4. Turn anticlockwise (-) to reduce loading on regulator spring to minimum. See Fig. 6 (If no safety devices fitted go to instruction 10).
5. Remove top cap from safety shut-off device cover (If UPSS only go to instruction 8).
6. Insert a flat bladed screwdriver into one of the partial slots on the OPSS spring holder. See Fig. 7.
7. Turn clockwise (+) to increase loading on OPSS spring to maximum.
8. If UPSS fitted, insert a pozidriv screwdriver (No.2 point) into UPSS adjusting screw in bottom spring holder. See Fig. 8.
9. Turn anticlockwise (-) to reduce loading on UPSS spring, making sure screw head does not protrude from the bottom spring holder.
10. Slowly open inlet valve(s).

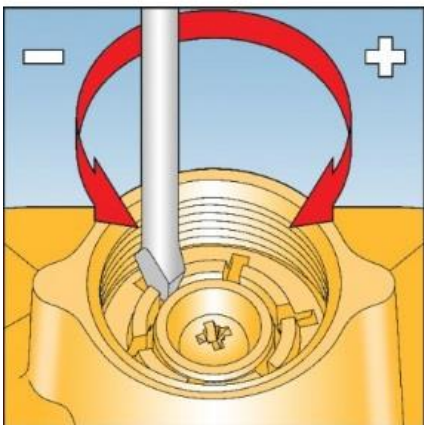


Fig. 7

11. If safety device fitted, re-cock by unscrewing reset spindle end cap and pulling firmly. Hold in this position until the outlet pipework is fully pressurised, then release reset spindle end cap gently. Re-screw reset spindle end cap into body. See Fig. 5.
12. Turn regulator adjustment screw clockwise (+) to increase the loading on the spring until the required outlet pressure, plus approximately 2.5mbar (1"wg) is obtained. (This is an allowance for the regulator being set with zero flowrate).

If UPSS only go to instruction 20, if no safety device go to instruction 27.

13. Block vent valve opening to prevent relief valve from operating.
14. Apply external pressure source to a suitable point on the outlet pipework. Increase pressure to that required for OPSS trip-off.

Note: If pressure test point on underside of slam shut unit is used as external source point, care must be taken to ensure pressures are equalised across restricted orifice within test point.

15. Slowly turn OPSS spring holder anticlockwise (-) until OPSS device trips off. See Fig. 7.
16. Reduce external pressure source to level set in instruction 12.

J125B: Commissioning Instructions

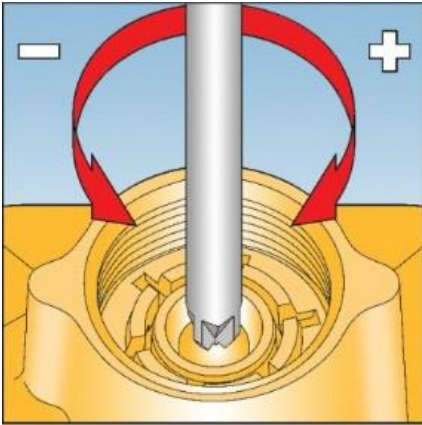


Fig. 8

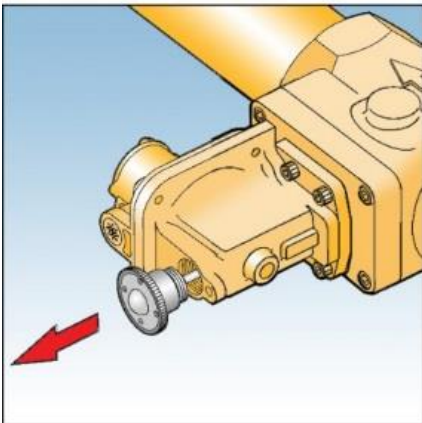


Fig. 9

17. Re-cock OPSS device by unscrewing reset spindle end cap and firmly pull. Hold in this position until the outlet pipework is fully pressurized, then release reset spindle end cap gently. Re-screw reset spindle end cap into body. See Fig. 9.

18. Slowly increase external pressure to check for OPSS trip-off. Trim adjustment if necessary and repeat instructions 16 - 18.

19. Remove external pressure source.

NOTE: OPSS device is now set.

20. Close inlet valves.

21. Reduce inlet pressure to approximately 140mbar (2 PSI).

22. Reduce outlet pressure by introducing a slow controlled bleed until the required UPSS trip-off pressure is obtained and close bleed.

23. Slowly turn UPSS adjusting screw clockwise (+) until UPSS device trips off. See Fig. 8.

24. Slowly open inlet valve to regain inlet pressure up to approximately 140mbar (2 PSI), then close inlet valve.

25. Re-cock UPSS device by unscrewing reset spindle end cap and firmly pull. Hold in this position until the outlet pipework is fully pressurised, then release reset spindle end cap gently. Re-screw reset spindle end cap into body. See Fig. 9.

26. Slowly reduce outlet pressure to check for UPSS trip-off. Trim adjustment if necessary and repeat instructions 24 - 26.

NOTE: UPSS device is now set.

27. Commission installations.

28. Trim the regulator outlet pressure if necessary, once normal flow rates have been achieved.

29. Unblock vent opening.

30. Replace all top caps (seal if necessary).

WARNING: DO NOT UNDER ANY CIRCUMSTANCES WEDGE OPEN SAFETY SHUT-OFF RESET END CAP AS THIS WILL NOT ALLOW THE SAFETY DEVICE(S) TO FUNCTION IN ADVERSE PRESSURE CONDITIONS.

J125B: Commissioning Instructions

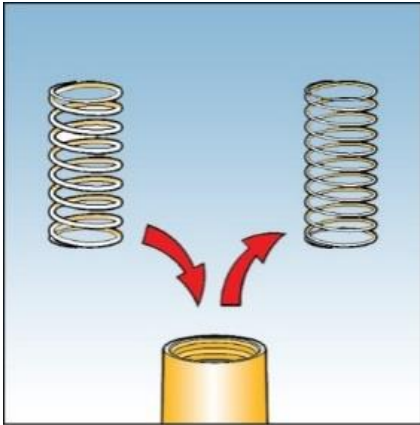


Fig. 10

IF THE REQUIRED REGULATOR OUTLET PRESSURE CANNOT BE ACHIEVED WITH THE SPRING FITTED

31. Remove top cap from regulator cover.
32. Choose a loading spring from catalogue or page 17 that will give the required outlet pressure range.
33. Fully unscrew and remove the spring holder, See Fig. 11.
34. Remove spring and replace with new one. See Fig. 10.
35. Screw spring holder back in place, ensuring regulator spring is located in recess in underside of holder.
36. Adjust the outlet pressure as described previously.
37. Replace the top cap (seal if necessary).

NOTE: Outlet pressure is now set

IF THE REQUIRED TRIP-OFF PRESSURES CANNOT BE ACHIEVED WITH THE SPRINGS FITTED

A) OPSS spring

38. Remove top cap from the safety shut-off device cover.
39. Choose an OPSS spring from the catalogue or page 17 that will give the required pressure range.
40. Fully unscrew and remove top spring holder. See Fig. 11.
41. Remove spring and replace with new one. See Fig. 9.
42. Screw spring holder back in place, ensuring that castellated spigot is uppermost in chimney. See Fig. 11.
43. Adjust the trip-off pressure as described previously.
44. Replace the top cap (seal if necessary).

NOTE: OPSS pressure is now set

B) UPSS spring.

45. Remove top cap from the safety shut-off device cover.
46. Choose an UPSS spring from the catalogue or page 17 that will give the required pressure range.
47. Fully unscrew and remove top spring holder. See Fig. 12.
48. Remove OPSS spring (or spacer tube if UPSS only).

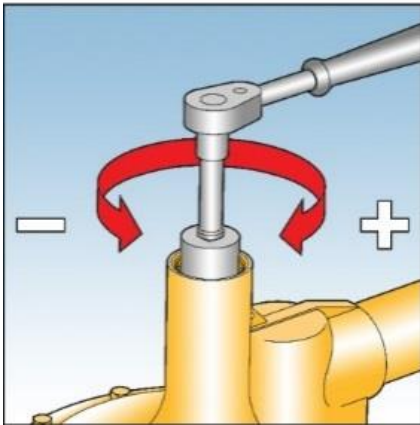


Fig. 11

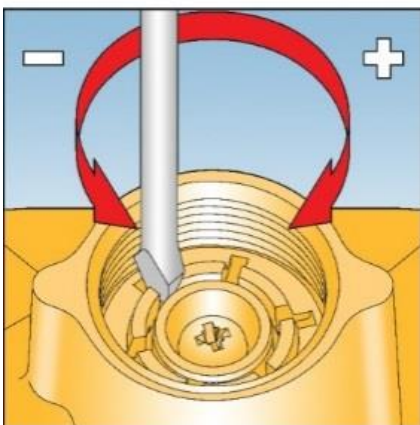


Fig. 12

J125B: Commissioning Instructions

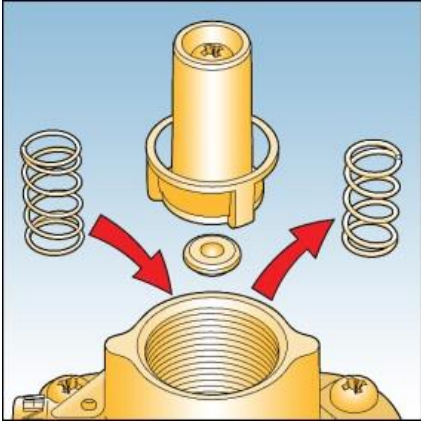


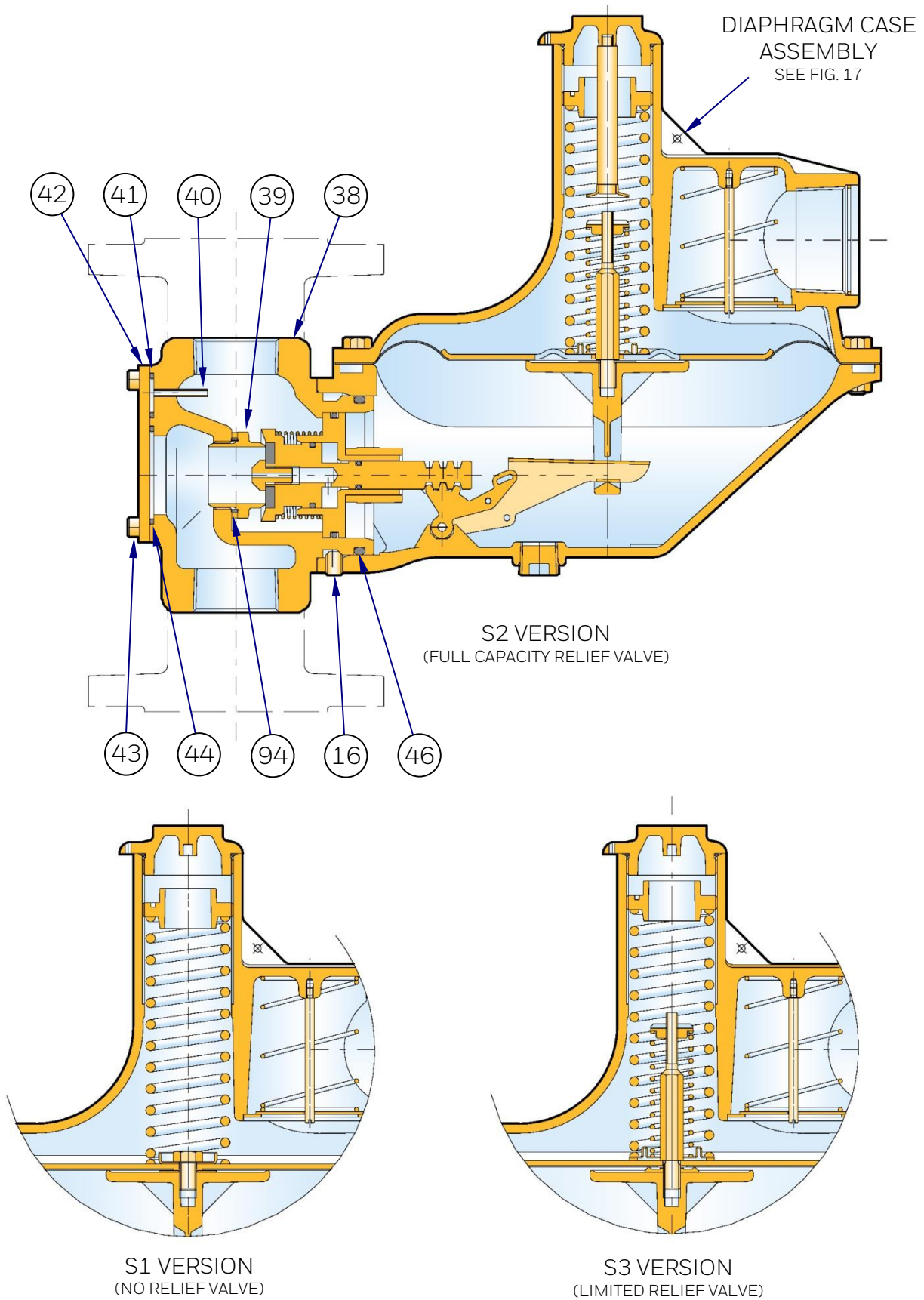
Fig. 12

49. Remove bottom spring holder and UPSS top spring holder.
50. Remove UPSS spring and replace with new one. See Fig. 12.
51. Replace UPSS spring holder, ensuring that spigot locates in UPSS spring.
52. Replace bottom spring holder locating three webs into slots in bottom of cover, ensuring not to disturb UPSS spring and UPSS spring holder.
53. Replace OPSS spring (or spacer tube if UPSS only).
54. Screw top spring holder back in place, ensuring that castellated spigot is uppermost in chimney. See Fig. 11. (If UPSS only ensure that spacer tube is firmly clamped)
55. Adjust the trip-off pressure as described previously
56. Replace the top cap (seal if necessary).

NOTE: UPSS pressure is now set.

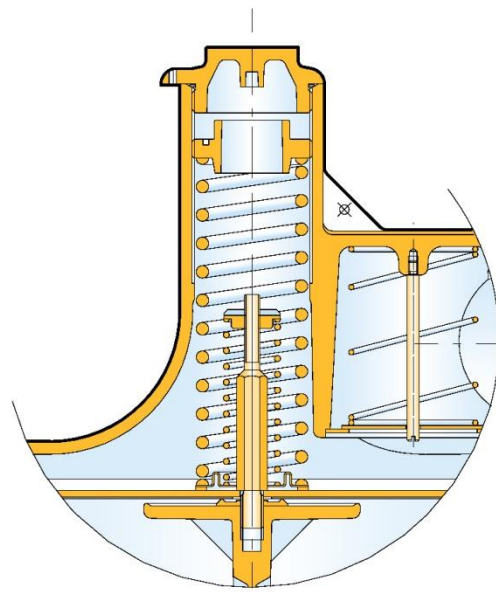
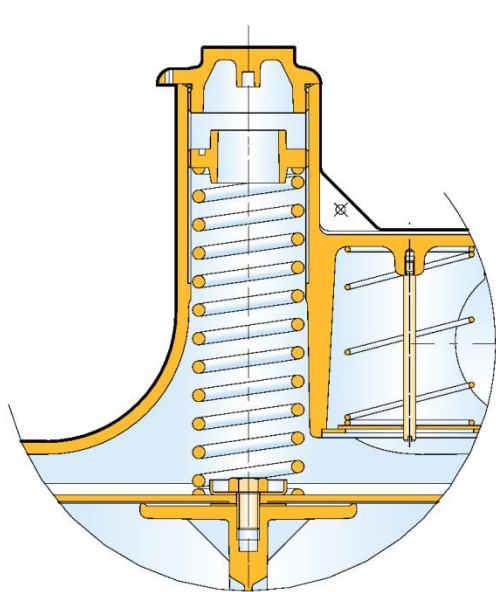
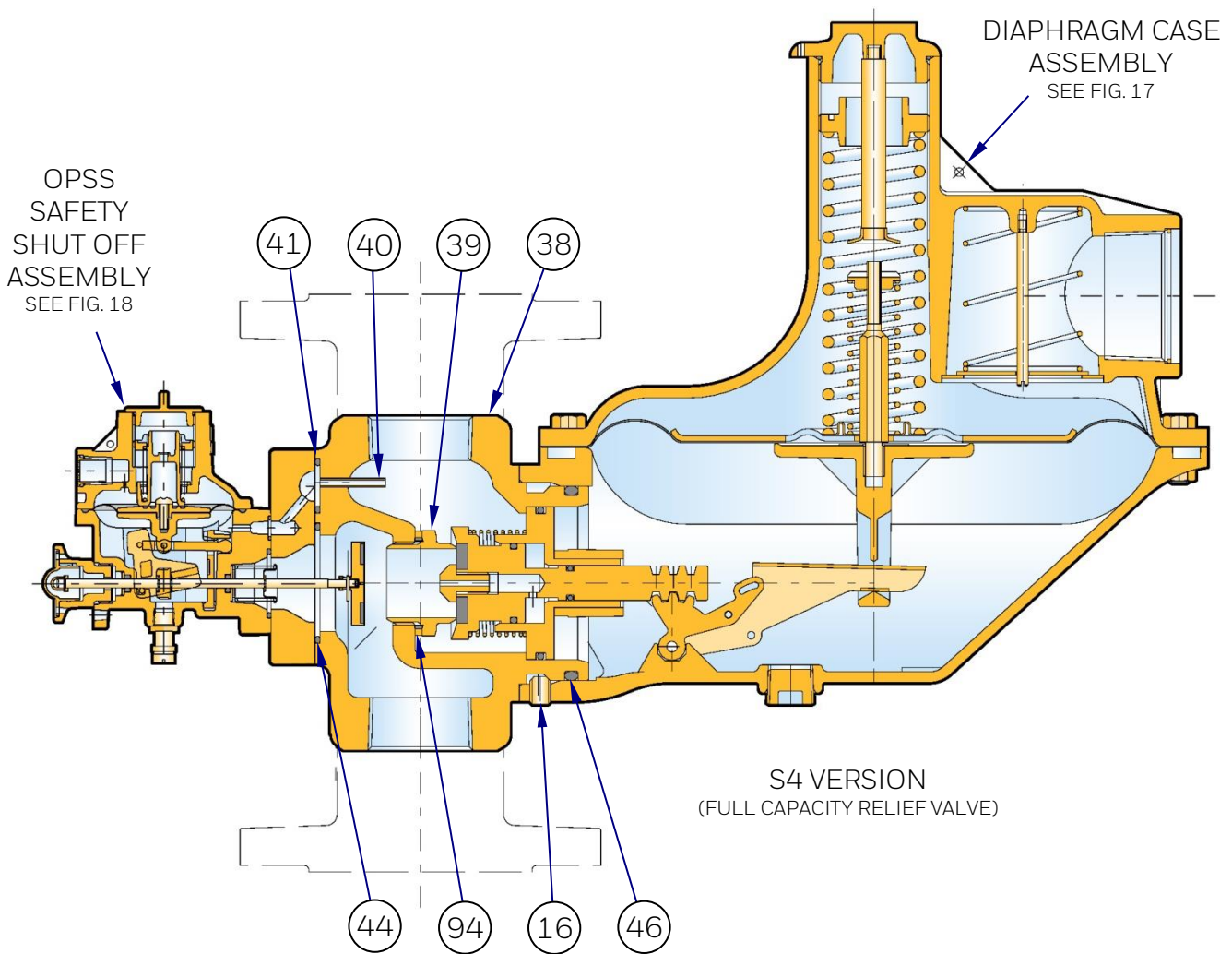
J125B: General Arrangement

S1, S2, S3 Assembly – Fig 14



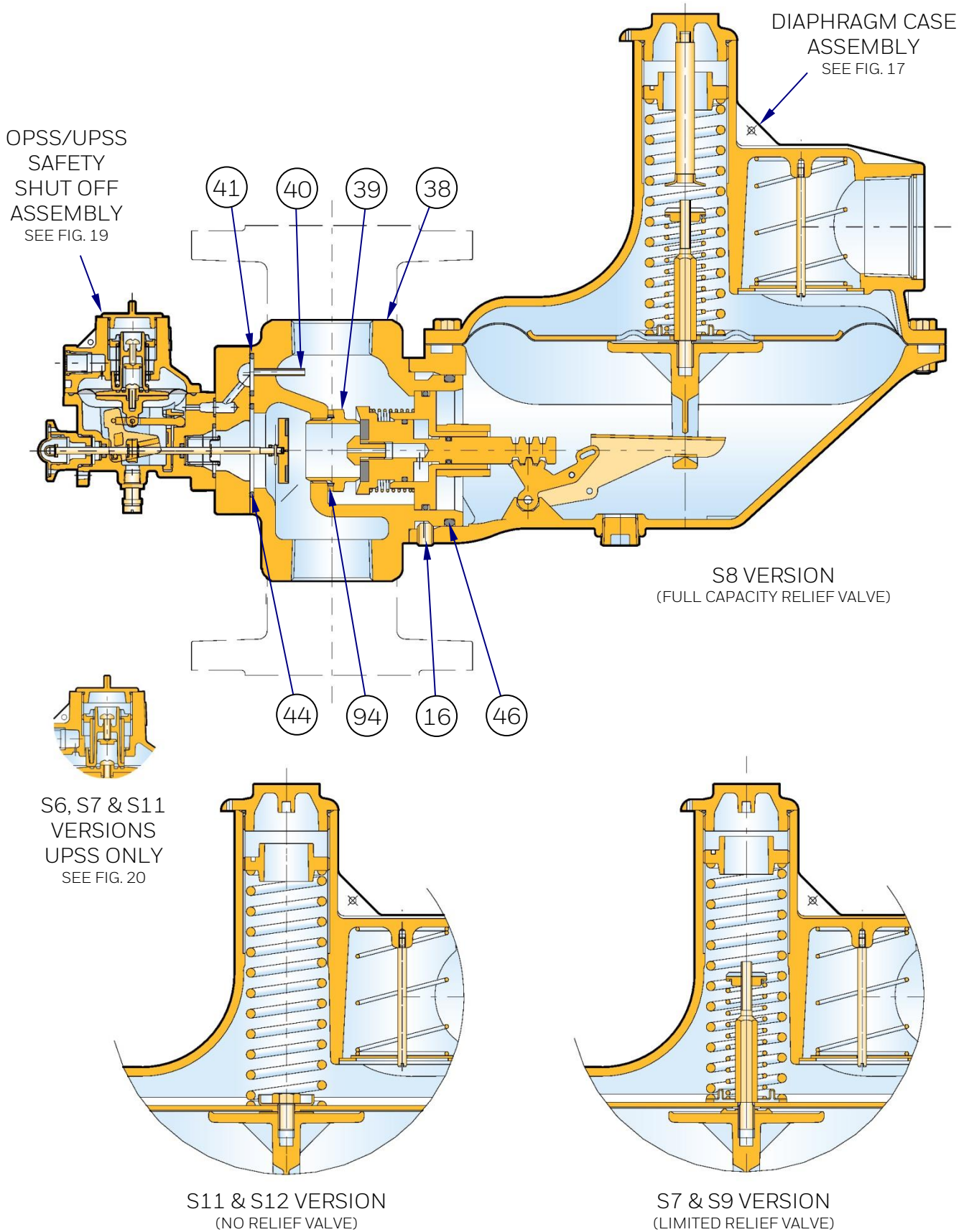
J125B: General Arrangement

S4, S5, S10 Assembly- Fig 15



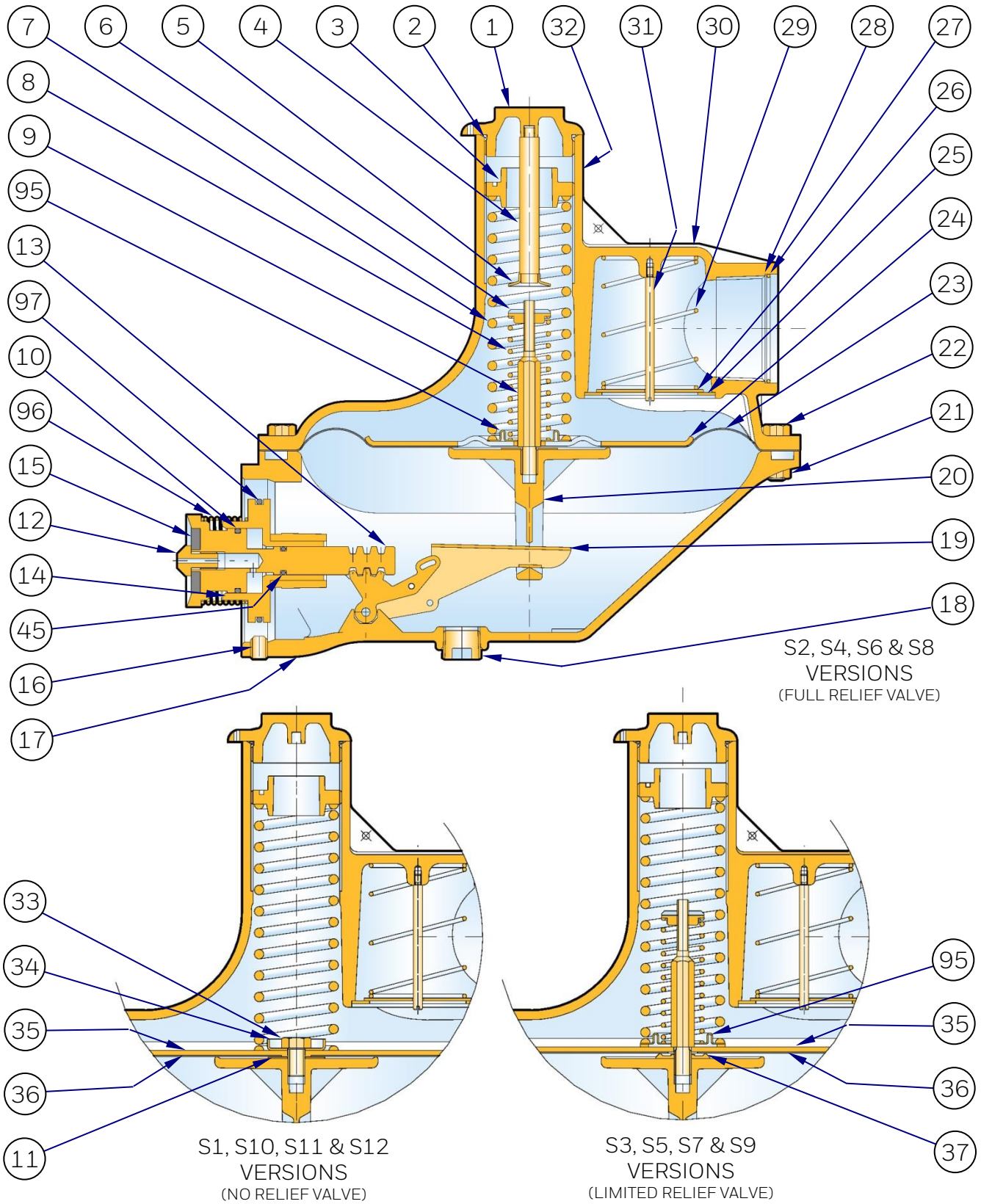
J125B: General Arrangement

S6, S7, S8, S9, S11, S12 Assembly- Fig 16



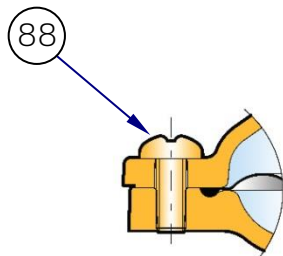
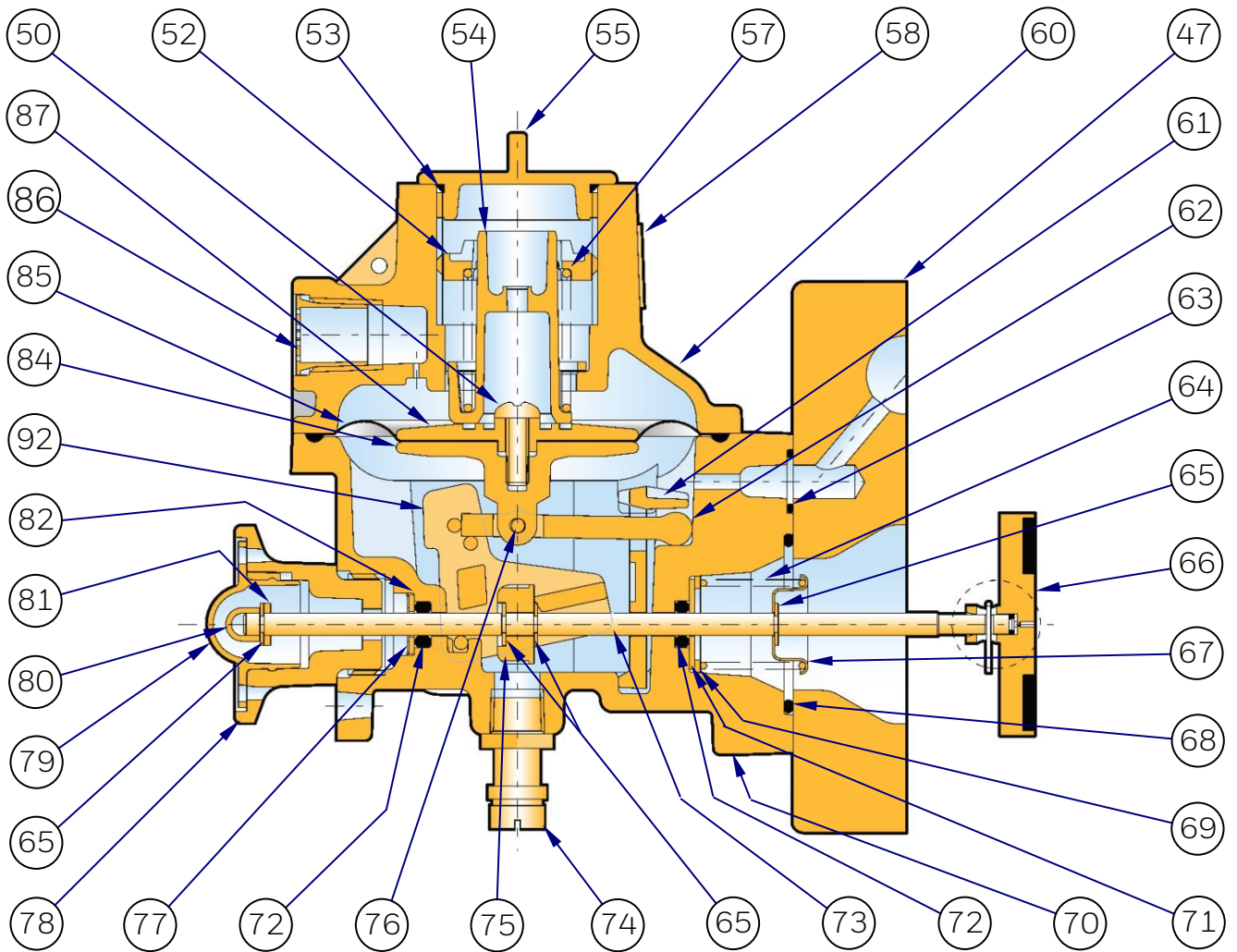
J125B: General Arrangement

Diaphragm Case Assembly – Fig 17

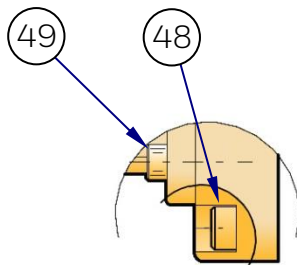


J125B: General Arrangement

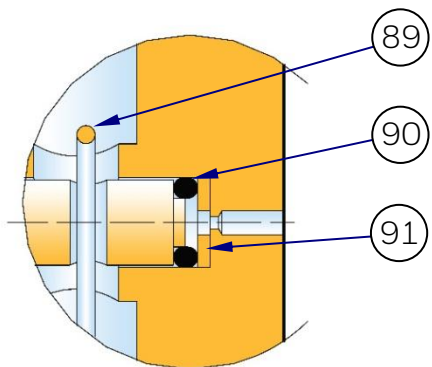
OPSS Safety Shut Off Assembly – Fig 18



TOP COVER TO BODY FIXING



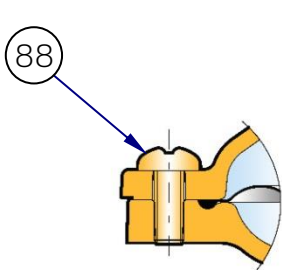
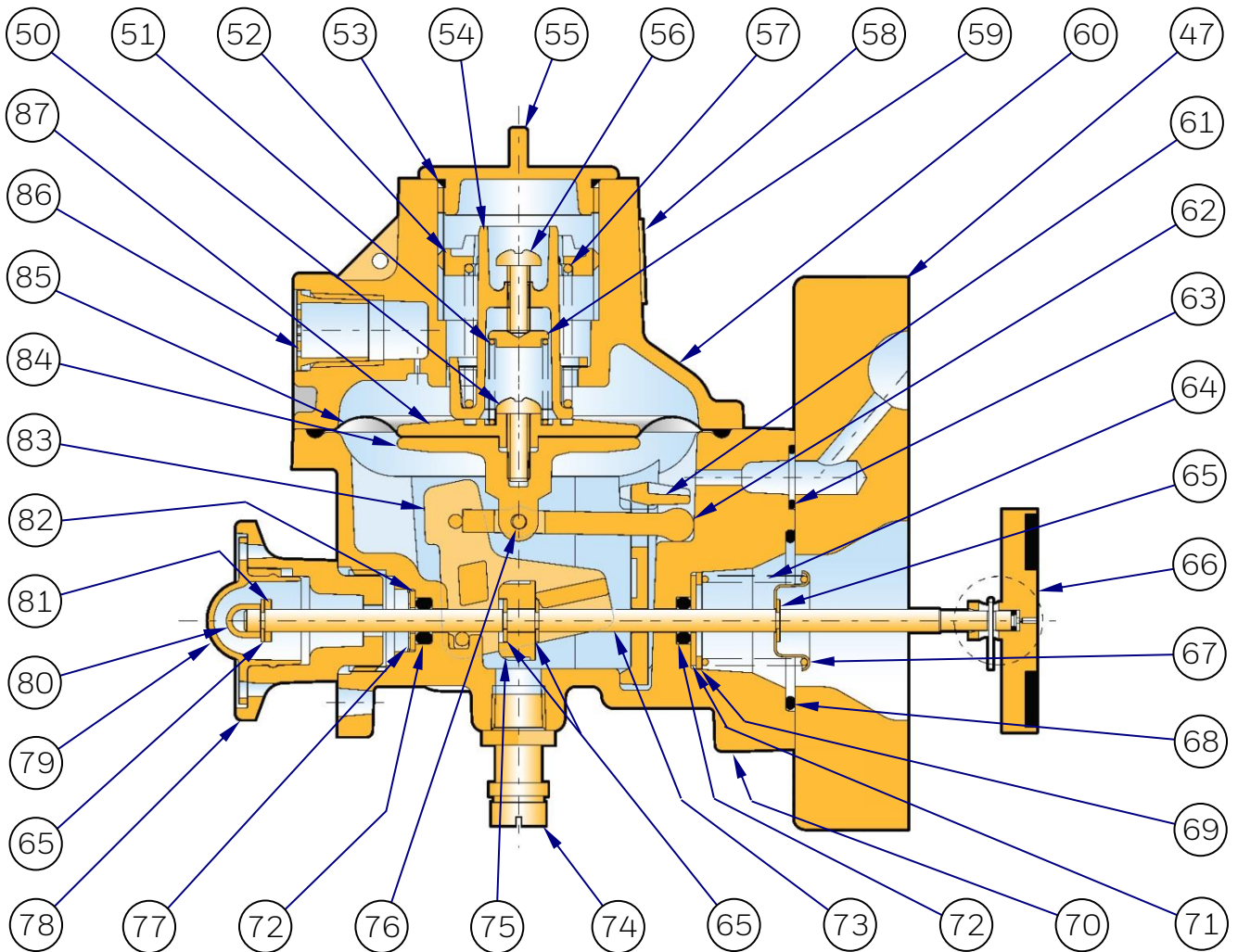
OPSS BODY TO ADAPTOR PLATE FIXING



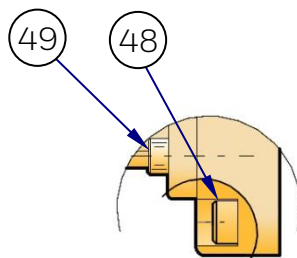
ENLARGED VIEW OF VALVE DISC

J125B: General Arrangement

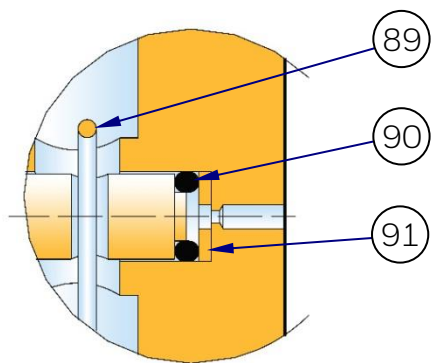
OPSS/UPSS Safety Shut Off Assembly – Fig 19



TOP COVER TO BODY FIXING



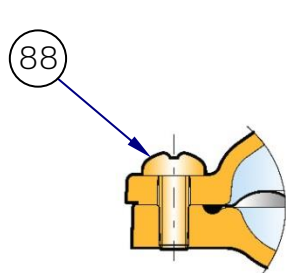
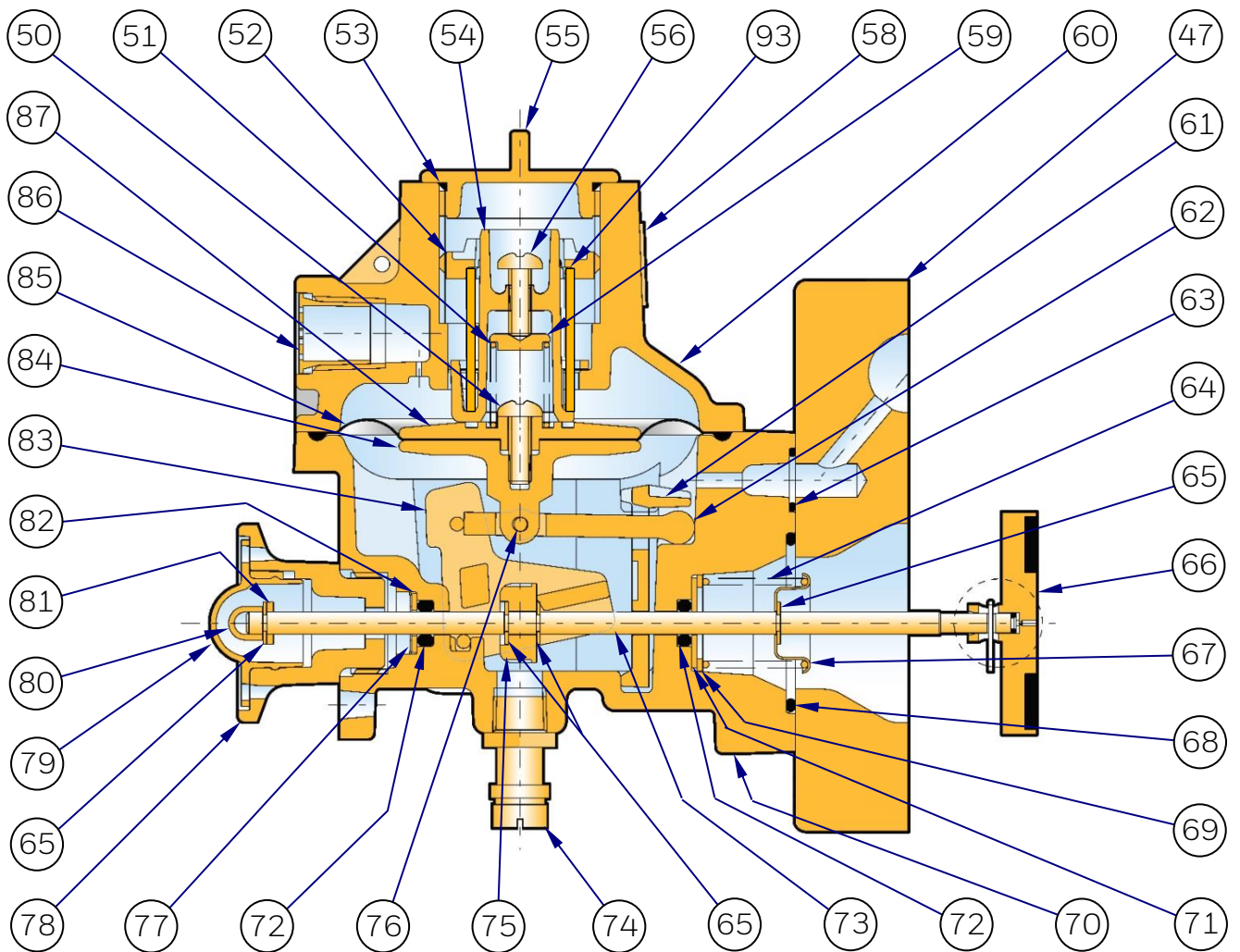
OPSS BODY TO ADAPTOR PLATE FIXING



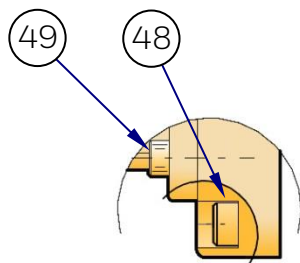
ENLARGED VIEW OF VALVE DISC

J125B: General Arrangement

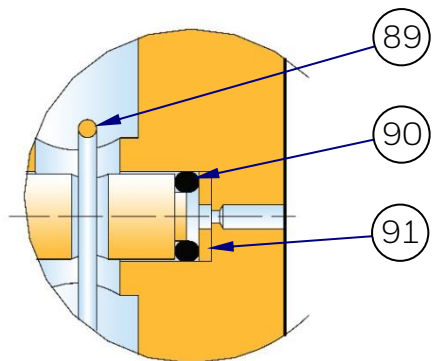
UPSS Safety Shut Off Assembly – Fig 20



TOP COVER TO BODY FIXING



OPSS BODY TO ADAPTOR PLATE FIXING



ENLARGED VIEW OF VALVE DISC

J125B: Parts List

ITEM	DESCRIPTION	PART NUMBER	No. Off
1	TOP CAP	I70103P001	1
2	"O" RING (TOP CAP)	JOBS133	* 1
3	ADJUSTMENT SCREW	I73183P001	1
4	ROD STOP	I73056P001	1
5	FLANGE STOP ROD	I73174P001	1
6	SPRING ADJUSTING NUT (Full Relief)	I71533P001	1
7	LOADING SPRING	SEE TABLE	1
8	RELIEF VALVE SPRING	I70017P074	1
9	RELIEF VALVE STEM	I73058P001	1
10	"O" RING (BVO PISTON)	JORM0295-30	* 1
11	FLAT WASHER (No Relief) Not used since 2009	I13981P076	1
12	BVO SENSING SCREW	J12509-118	1
13	BVO PISTON	J12509-117	* 1
14	BVO PISTON HOLDER	J12509-119	1
15	BVO VALVE SEAT DISC	J12509-121	* 1
16	SOCKET GRUB SCREW	JSA1012SONSS	3
17	REGULATOR DIAPHRAGM CASE	J12509-123 (+ if tapped)	1
18	PLUG (C/Sunk Recess ½" BSP Galvanised)	JMFP2G04 (if fitted)	1
	PLUG (C/Sunk Recess ½" NPT Galvanised)	I11970P031 (if fitted)	1
19	LEVER ASSEMBLY	I72626P002	1
20	DIAPHRAGM STEM	I72629P005	1
21	HEXAGON NUT	JNA8FZD	12
22	SCREW HEX HEAD	JSA825HHNZG	12
23	DIAPHRAGM (Full Relief)	J12509-116	* 1
24	DIAPHRAGM PLATE (Full Relief)	I73057P002	* 1
25	VENT VALVE SEAT	J12509-028	1
26	VENT VALVE DISC	J12509-029	1
27	VENT SCREEN SPRING CLIP	J12509-038	1
28	VENT SCREEN	J12509-037	1
29	VENT VALVE SPRING	J12509-060	1
30	TOP COVER	J12509-079 +	1
31	VENT VALVE GUIDE PIN	J12509-042	1
32	NAMEPLATE	J8112-124	1
33	HEX CAP SCREW	JSNEIHHNZR	1

J125B: Parts List

Continued

ITEM	DESCRIPTION	PART NUMBER	No. Off
34	SPRING GUIDE	I72272P001	1
35	DIAPHRAGM PLATE (No / Limited Relief)	J12509-126	* 1
	DIAPHRAGM PLATE (No / Limited Relief) before July 2014	I70012P052	* 1
36	DIAPHRAGM (No / Limited Relief)	J12509-115	* 1
37	RELIEF VALVE CUP	I73054P002	1
38	SCREWED BODY 1½"	J12508-080 +	1
	SCREWED BODY 2"	J12509-080 +	1
	FLANGED BODY 50mm	J12509-081 +	1
39	VALVE SEAT (31.8mm)	J12509-108	1
40	IMPULSE TUBE SCREWED	J12509-112	1
	IMPULSE TUBE FLANGED	J12509-111	1
41	"O" RING	JORM0195-30	* 1
42	BLANKING PLATE	J12509-083	1
43	SCREW (Blanking Plate)	JSA616SANSS	4
44	"O" RING	JORM0495-30	* 1
45	"O" RING	JOBS111	* 1
46	"O" RING	JOBS338	* 1
47	ADAPTOR PLATE (USSA)	J12509-082Z02	1
48	SCREW (Adaptor Plate/Regulator Body)	JSA620SANSS	4
49	SCREW (OPSS Body/Adaptor Plate)	JSA516SANSS	4
50	SCREW (Shut-off Diaphragm)	JSA412XPTZ	1
51	UPSS SPRING	SEE TABLE	1
52	SAFETY SHUT OFF SPRING HOLDER	J12506-248	1
53	"O" RING (Safety Shut Off Top Cap)	JORM0251-16	* 1
54	BOTTOM SPRING HOLDER	J12506-250	1
55	SAFETY SHUT OFF TOP CAP	J12506-142	1
56	SCREW (UPSS Adjustment)	JSA412XPTZ	1
57	OPSS SPRING	SEE TABLE	1
58	SAFETY SHUT-OFF NAMEPLATE	J150D-076	1
59	UPSS SPRING HOLDER	J12506-249	1
60	SAFETY SHUT-OFF TOP COVER	J12506-240 +	1
61	TRIP-OFF LEVER RETAINING PLATE	J12506-243	1
62	TRIP-OFF LEVER	J12506-242	1
63	"O" RING (Impulse Passage)	O3110340	* 1
64	VALVE SPRING	J12506-049	1

J125B: Parts List

Continued

ITEM	DESCRIPTION	PART NUMBER	No. Off
65	CIRCLIP VALVE SPINDLE	03627606	* 4
66	VALVE DISC (Moulded)	J12509-109M	* 1
67	VALVE SPRING CUP	J12506-251	1
68	"O" RING (Safety Shut off /Adaptor Plate)	JORM0276-24	* 1
69	CIRCLIP (Front "O" Ring Washer)	JCIR2000K-17B	* 1
70	SAFETY SHUT OFF BODY	J12506-239 +	1
71	FRONT "O" RING RETAINING WASHER	J12506-252	1
72	"O" RING for Shut-Off Spindle (to end of 2005)	JOBS105D	* 2
	"O" RING for Shut-Off Spindle (from start 2006)	JO4-25	* 2
73	SAFETY SHUT-OFF VALVE SPINDLE	J12509-110	1
74	PRESSURE TEST NIPPLE	JPTN01-0.71	1
75	TRIP-OFF BUSH	J12506-244	1
76	NEEDLE ROLLER	JNR02S	1
77	STARLOCK WASHER	JCIR1305-043B	1
78	RESET SPINDLE END CAP	J12506-254	1
79	COVER (Spindle End Cap)	J12506-255	1
80	INDICATOR CAP (Safety Shut Off)	JCLOSEMC4	1
81	WASHER-REAR (circlip protection)	J12506-292	1
82	REAR "O" RING RETAINING WASHER	J12506-253	* 1
83	TRIP-OFF LATCH (OPSS / UPSS and UPSS only)	J12506-241	1
84	LOWER DIAPHRAGM PLATE	J12506-247	1
85	SAFETY SHUT-OFF DIAPHRAGM	J12506-246	* 1
86	VENT SCREEN	J12506-277	1
87	TOP DIAPHRAGM PLATE	J12506-245	1
88	SCREW (Top Cover/Body)	JSA512TPTS	4
89	"R" CLIP VALVE	33470076	* 1
90	"O" RING SEAL	03110040	* 1
91	GASKET VALVE	J12506-267	* 1
92	TRIP-OFF LATCH (OPSS only)	J12506-322	1
93	UPSS SPACER TUBE	J12506-279	1
94	BONDED SEAL	JBSMB45017	* 1
95	SPRING LOCATOR ASSEMBLY	I73175G001	1
96	BVO LOADING SPRING	J12509-120	1
97	"O" RING SEAL	JOBS230	* 1

NOTES: Items marked * are contained in spares kits (See table below). Part Numbers ending with + require connection information.

J125B: Spring Tables

REGULATOR SPRINGS

mb.	"w.g.	PART NUMBER	COLOUR
8.8 - 15	3.5 - 6	J12509-091	RED
14 - 20	5.5 - 8	J12509-092	ORANGE
21 - 35	8.5 - 14	J12509-093	YELLOW
36 - 70	14.5 - 28	J12509-094	GREEN
69 - 138	1 - 2 PSI	J12509-095	ROYAL BLUE
104 - 173	1.5 - 2.5 PSI	J12509-096	BROWN - ROYAL BLUE
138 - 207	2 - 3 PSI	J12509-097	BROWN - GREEN
207 - 345	3 - 5 PSI	J12506-098	BLACK - GREEN

OVER PRESSURE SLAM-SHUT SPRINGS

mb.	"w.g.	PART NUMBER	COLOUR
18 - 60	7.5 - 24	J12506-281	BLACK
50 - 80	20 - 32	J12506-282	ORANGE
60 - 110	24 - 44	J12506-283	RED
100 - 210	40 - 84	J12506-284	DARK GREEN
200 - 350	3 - 5 PSI	J12506-287	YELLOW
280 - 500	4 - 7 PSI	J12506-288	WHITE

UNDER PRESSURE SLAM-SHUT SPRINGS

mb.	"w.g.	PART NUMBER	COLOUR
8 - 16	3 - 6	J12506-285	LIGHT BLUE
16 - 60	6 - 24	J12506-286	BROWN
60 - 150	24 - 60	J12506-289	PURPLE

NOTE: A minimum differential of 30mb must be maintained between OPSS and UPSS set pressures

SPARES KITS

REGULATOR TYPE	SPARES KIT PART NUMBER
J125-S1 & S3	SK2529-01
J125-S2	SK2529-02
J125-S4, S6 & S8	SK2529-03
J125-S5, S7, S9, S10, S11 & S12	SK2529-04

J125B: Maintenance Instructions

Regulator Body

Drawing Reference: Figs. 14, 15 & 16

NOTE: Numbers in brackets identify items on drawings

Regulator Dismantling Procedure.

1. Check external surfaces for excessive corrosion.
2. Disconnect diaphragm case assembly from regulator body (38) by removing the three grub screws (16), gently pull out the case from the regulator body (38).
3. Disconnect the safety shut-off unit assembly, or blanking plate (42), from the regulator body (38) by removing the four cap screws (43) or (48).
4. Remove valve seat (39) assembly from the regulator body (38).
5. Remove bonded seal (94) or gasket (45) from valve seat (39) assembly. Note: the old design valve seat assembly with gasket (45) was glued into body (38).
6. Wipe clean the valve seat (39) assembly, check for any damage and take note of whether bonded seal (94) or aluminium gasket (45) is fitted to the valve seat.
7. Check that the impulse tube (40) is clear. DO NOT REMOVE TUBE FROM BODY.

Regulator Rebuilding Procedure.

NOTE: Inspect all sealing "O" rings, and replace where necessary (a soft spares kit is available for this purpose, see page 17).

The use of Molykote 111 "O" ring lubricant is recommended during the rebuild- unless for use with oxygen when no lubricant should be used.

1. If, when the valve seat (39) assembly was dismantled, the bonded seal (94) was fitted, then replace with a new bonded seal (94). DO NOT USE ALUMINIUM GASKET (45).
2. If, when the valve seat (39) assembly was dismantled, the aluminium gasket (45) was fitted, then replace with new aluminium gasket (45). DO NOT USE WITH BONDED SEAL (94). Note: The bonded seal (94) and aluminium gasket (94) CANNOT be interchanged with each other, due to valve seat (39) being a different length and this may affect unit performance and safety.
3. Refit valve seat (39) assembly into regulator body (38) by screwing it in until metal contact is made.
4. Fit new "O" ring (46) onto diaphragm case assembly and apply "O" ring lubricant.
5. Insert diaphragm case assembly into regulator body (38) being careful not to damage the "O" ring, secure in place with three grub screws (16).
6. Replace "O" rings (41) and (44) into regulator (38) making sure the contact surfaces are clean and the "O" rings are lubricated.
7. Locate and secure the safety shut-off assembly, or blanking plate (42), in place using four cap screws (43) or (48).
8. Test unit for gas tightness.
9. Commission unit as described on pages 2 - 6.

J125B: Maintenance Instructions

Diaphragm Case

Drawing Reference: Figs. 17

NOTE: Numbers in brackets identify items on drawings

Diaphragm Case Dismantling Procedure.

1. Unscrew top cap (1) and remove "O" ring (2).
2. Unscrew and remove adjusting screw (3) and loading spring (7).
3. Remove top cover (30) by unscrewing the 12 nuts (21) and screws (22).

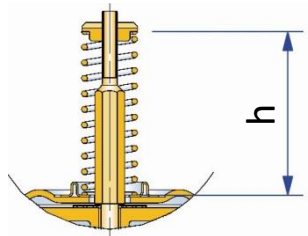
NOTE: It is not recommended to strip down the Vent Valve Assembly items: (25), (26), (29) & (31).

For Relief Versions go to instruction 6.

4. Remove diaphragm assembly (35), from the diaphragm case (17).
5. Unscrew the hexagon cap screw (33) from the diaphragm assembly (35) to allow assembly to be dismantled.

For No Relief Version go to instruction 9.

6. Prior to dismantling the relief valve assembly, measure the height "h" of the relief valve spring (8). The spring will have to be compressed to the same dimension on reassembly.



7. Remove diaphragm assembly (Full Relief) (23) or (Limited Relief) (35), and relief assembly from the diaphragm case (17).
8. Unscrew spring adjusting nut (6) from diaphragm assembly (23) or (35) to allow dismantling.
9. Lift lever assembly (19) to disengage with BVO piston (13).
10. Withdraw BVO valve assembly (10, 12, 13, 14, 15, 45, 96 & 97) from the diaphragm case (17).
11. Take BVO piston (13) and BVO loading spring (96) from BVO piston holder (14) and remove "O" rings (10, 45 & 97).
12. Unscrew BVO sensing screw (12) and check hole for dirt.
13. Remove lever assembly (19) from the diaphragm case (17).

Diaphragm Case Rebuilding Procedure.

NOTE: Inspect all sealing "O" rings, diaphragms and gaskets and replace where necessary (a soft spares kit is available for this purpose see page 17).

1. Check main diaphragm (23) or (36) for signs of damage, if necessary replace with a new diaphragm assembly (23) + (24) or (35) + (36).
2. Check that the sealing surfaces on the diaphragm (23) + (36) and diaphragm stem (20) are clean.

For Relief versions go to instruction 7.

3. Push cap screw (33) through centre hole of spring guide (34) with lip facing screw head.
4. Now push cap screw (33) through centre hole of diaphragm assembly (35) + (36), with diaphragm plate lip facing spring guide (34).

J125B: Maintenance Instructions

Diaphragm Case

Diaphragm Case Rebuilding Procedure continued.

5. Replace flat washer (11) over cap screw (33).
 6. Screw diaphragm stem (20) onto cap screw (33) securing diaphragm assembly
- For No Relief version go to instruction 14.
7. (Limited Relief Version): Replace relief cup (37) with projections facing upwards, over centre hole of the diaphragm stem (20).
 8. Screw relief valve stem (9) into diaphragm stem (20).
 9. (Limited Relief Version): Place diaphragm assembly (35 & 36) with diaphragm plate lip facing upwards, on top of relief cup (37).
 10. (Full Relief Version): Place diaphragm assembly (23 & 24) with diaphragm plate lip facing upwards, on top of relief valve stem (9).
 11. Replace spring locator (95) with convolution facing upwards, over relief valve stem (9).
 12. Place relief spring (8) over relief valve stem (9).
 13. Screw relief spring adjusting nut (6) with spigot located in relief spring (8), onto relief valve stem (9). Screw relief adjusting nut (6) to the required height "h", as measured during dismantling, see instructions (page 19).
 14. Place lever assembly (19) into the slot in the diaphragm case (17).
 15. Check valve disc (15) and BVO piston (13) for damage and excessive wear, if necessary replace with a new assembly.
 16. Insert BVO sensing screw into BVO piston and tighten.
 17. Fit "O" rings (10 & 45) onto BVO Piston (13) and with BVO loading spring (97) in place, insert into BVO piston holder (14).
 18. Replace "O" ring (97) to outside of BVO piston holder (14).
 19. Carefully push BVO piston assembly (10, 12, 13, 14, 15, 45, 96 & 97) through hole in the diaphragm case (17) and engage grooves into teeth in lever assembly (19).
 20. Relocate the main diaphragm / relief valve assembly into position. Make sure of the following:
 - (a) The lever assembly (19) is fitted correctly into the slot in the diaphragm stem (20).
 - (b) The holes in the diaphragm (23) or (36) and diaphragm case (17) are aligned correctly.
 21. Check that the vent valve in the top cover (30) moves freely.
 22. Replace top cover (30) on top of diaphragm case (17) taking care not to damage diaphragm (23) or (36), and secure in place using 12 screws (22) and nuts (21).
 23. Place loading spring (7) into chimney of top cover (30).
 24. With slot in adjusting screw (3) facing upwards, screw adjusting screw (3) into the chimney of the top cover (30), so that it locates on loading spring (7).
 25. For Full Relief Version only: Screw rod stop assembly (4) and (5) into top cap (1).
 26. Replace "O" ring (12) onto top cap (1).
 27. Screw top cap (1) into chimney of top cover (30).
 28. Screw 3 grub screws (16) into case (17).
 29. Refit screen (28) and clip (27) into vent.

For reassembly to body see page 18.

J125B: Maintenance Instructions

Safety Shut Off Units

Drawing Reference: Figs. 18, 19 & 20

NOTE: Numbers in brackets identify items on drawings

Safety Shut-off Dismantling Procedures.

1. Unscrew top cap (55) and remove "O" ring (53).
2. Unscrew and remove top spring holder (52) together with OPSS spring (57), or UPSS spacer tube (93).
3. Remove bottom spring holder (54) together with UPSS screw (56) if fitted.
DO NOT REMOVE UPSS SCREW (56).
4. Remove top cover (60) by unscrewing the four screws (88).
5. If fitted remove UPSS spring holder (59) together with UPSS spring (51).
6. Lift diaphragm assembly from body (70).
7. Unscrew diaphragm clamping screw (50) and remove top diaphragm plate (87) and main diaphragm (85).
8. Remove needle roller (76) to release lever arm (62) from lower diaphragm plate (84).
9. Remove "R" clip (89) from spindle (73). Valve (66) (with "O" ring (90) and gasket (91) inside) can now be removed. Push valve spring cup (67) towards body (70) and remove circlip (65). Valve spring cup (67) and valve spring (64) can now be withdrawn.
10. Remove four screws (49) securing USSA body (70) to adaptor plate (47).
11. Remove "O" rings (63) and (68) from USSA body (70).
12. Unscrew reset spindle end cap (78) and pull out until it comes to a stop.
13. Inside the body prise visible circlip (65) from valve spindle (73) to release trip-off bush (75).
14. Slide trip-off bush (75) forward and prise second circlip (65) from valve spindle (73).
15. Withdraw valve spindle (73) and end cap assembly (65), (78), (79), (80) & (81) from body (70).
16. Remove trip-off lever retaining plate (61), trip-off bush (75) and trip-off latch (83) or (92).
17. Remove circlip (69), front "O" ring retaining washer (71) and front "O" ring (72).

NOTE : It is not recommended to interfere with the rear "O" ring (72) unless absolutely necessary. A new "O" ring and starlock washer should be refitted if dismantled.

18. Remove starlock washer (77), rear "O" ring retaining washer (82) and rear "O" ring (72) from body (70).
19. It is not necessary to remove test point (74).

J125B: Maintenance Instructions

Safety Shut Off Units - Continued

Safety Shut-off Rebuilding Procedures.

NOTE: Inspect all sealing "O" rings, diaphragms and gaskets and replace where necessary (a soft spares kit is available for this purpose see page 17).

The use of Molykote 111 "O" ring lubricant is recommended during the rebuild- unless for use with oxygen when no lubricant should be used.

1. Fit new "O" ring (72) into rear "O" ring groove in body (70) and apply "O" ring lubricant. Replace rear "O" ring retaining washer (82) and secure with new starlock washer (77), making sure starlock washer is central in bore.
2. Locate lever retaining plate (61) into recesses in body (70).
3. Position trip-off bush (75) with slots engaged with rails of trip-off latch (83) or (92) and arrow facing away from steel needle rollers. Relocate assembly into body (70) making sure that the needle roller is correctly positioned in raised recess in body (70).
4. Push valve spindle (73) and cap assembly (65),(78),(79),(80) & (81) through rear of body (70), trip-off bush (75), lever retaining plate (61) and front of body (70).
5. Slide trip-off bush (75) up against lever retaining plate (61) and fit a new circlip (65) into groove on valve spindle (73) furthest away from trip-off bush (75).
6. Slide trip-off bush (75) back against 1st circlip (65) and fit a 2nd new circlip (65) to groove on valve spindle (73) which clamps trip-off bush (75) to valve spindle (73).
7. Fit new "O" ring (72) into front "O" ring groove in body (70) and apply "O" ring lubricant, replace front "O" ring retaining washer (71) and secure firmly with new circlip (69).
8. Replace valve spring (64) into front face of body (70).
9. Locate valve spring cup (67) over spindle (73) and into valve spring (64)
10. Push valve spring cup (67) to compress valve spring (64) until circlip (65) can be assembled into groove in spindle (73) nearest body (70).
11. Fit new "O" rings (63) and (68) into grooves in front face of body (70).
12. Reassemble adaptor plate (47) to body (70) and secure with four screws (49).
13. Place gasket (91) into centre hole of valve (66). Insert "O" ring (90) into centre hole of valve (66).
14. Push valve assembly (66) over spindle (73), align hole in valve (66) and spindle (73), assemble together with "R" clip (89).
15. Align hole in diaphragm (85) with convolution upper most, with hole in lower diaphragm plate (84). Locate spigot of top diaphragm plate (87) through diaphragm (85) and into recess in lower diaphragm plate (84). Secure with diaphragm clamping screw (50).
16. Position slot in lever arm (62) over spigot on lower diaphragm plate (84) and align holes, replace needle roller (76) through holes.
17. Unscrew reset end cap (78) and withdraw it, until it comes to a stop.
18. Locate diaphragm assembly and lever arm (62) into recess between lever retaining plate (61) and body (70), ensuring bead of diaphragm (85) locates into groove in body (70).

J125B: Maintenance Instructions

Safety Shut Off Units

Safety Shut-off Rebuilding Procedures – Continued

19. Replace bottom spring holder (54) together with UPSS screw (56) if fitted, into chimney of top cover (60) by aligning ribs of bottom spring holder (54) with slots in top cover (60).
20. Replace OPSS spring (57), or UPSS spacer tube (93), into bottom spring holder (54).
21. Screw top spring holder (52) into chimney of top cover (60) ensuring that castellated spigot is uppermost. If UPSS spacer tube (93) is fitted, screw top spring holder (52) down firmly.
22. If fitted locate UPSS spring (51) into recess in top diaphragm plate (87), refit UPSS spring holder (59) ensuring that spigot locates in UPSS spring (51).
23. Replace top cover assembly (60) and secure with four screws (88), ensuring UPSS spring arrangement (51) and (59) if fitted is undisturbed. Take care not to pinch diaphragm bead (85).
24. Fit new "O" ring (53) to top cap (55) and screw into chimney of top cover (60).
25. If removed, replace test point (74).
26. For reassembly to body see page 18.

Honeywell is committed to a programme of continuous quality enhancement. All equipment designed and manufactured within Honeywell benefits from the group's quality assurance standards, which are approved to EN ISO9001.

Honeywell has a programme of continuous product development and improvement and in consequence the information in this leaflet may be subject to change or modification without notice.

For more information

www.elster-instromet.com

Honeywell

United Kingdom
Elster Metering Ltd
140 Waterside Rd. Hamilton Ind. Park
Leicester. LE5 1TN
www.elster-instromet.com
elsteruksales.hps@honeywell.com

Germany
Elster GmbH
Steinern St. 19 - 21
55252 Mainz -Kastel
T +49 6134 605 0
www.elster-instromet.com
customerfirst@honeywell.com