

HONEYWELL ELSTER JEAVONS J125B

Service gas pressure regulator for inlet pressures up to 8.6bar

Brief information

Operation: The J125B series provides a full range of regulators for service applications where accurate pressure control and high flow rates are required. The units are ideal for industrial pressure reducing, metering stations and for district distribution. The regulators are designed to maintain high accuracy and efficiency over the inlet pressures up to 8.6 Bar (125 PSIG). Available with screwed connections, sizes 1½" and 2", and 50mm flanged connections.

Because of the special balanced valve design the regulator maintains control of the outlet pressure over the full inlet pressure range whilst using the largest orifice size available, giving a very high flow rate. The comprehensive range of outlet pressure springs are the same as that of the standard J125.

The unit has been designed for ease of installation and servicing. The diaphragm case can be fully rotated and is easy to remove.

The J125B can be fitted with a full or limited capacity relief valve. It is recommended that the unit is fitted with the Jeavons Universal Safety Shut-off Assembly (USSA). This provides over pressure and/or under pressure protection with immediate shut-off at the regulator inlet. It uses well proven principles to give exceptional consistency of operation and an unrivalled insensitivity to nuisance tripping.

Application: All units are suitable for operation on natural, liquefied petroleum and manufactured gases. Various versions of this regulator comply with the requirements of BGC/PS/E26 & IGE/TD/10. The USSA unit is designed to meet the requirements of the standards BS EN 14382 and GIS/V9-1.

Technical Data:

Maximum inlet pressure:	8.6 Bar (125 psig)
Maximum outlet Pressure:	350mbar (5 psig)
OPSS range:	18 - 500mbar (7.5"wg - 7 psig)
UPSS range:	8 - 150mbar (3 - 60 "wg)

Approval: The 1½" and 2" J125B have been approved to Modulus B + D of the PE(S)R 2016 for UKCA and PED 2014/68/EU for CE by BSI (Notified Body No. 2797/ Approved Body No. 0086). It is classified as Category IV equipment and a pressure accessory.

Servicing: The J125B has been designed for ease of access, inspection and servicing of all internal components. A standard soft spares kit is available for all sizes.

J125B-S1 & S3	reference number SK2529-08
J125B-S2	reference number SK2529-09
J125B-S4, S6 & S8	reference number SK2529-10
J125B-S5, S7, S9, S10, S11 & S12	reference number SK2529-11



FEATURES & BENEFITS

Main Features

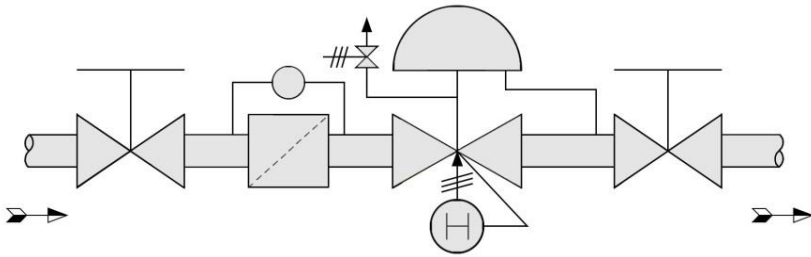
- Sizes 1½", 2" & 50mm
- Temperature range: -20°C to +70°C
- Threaded connections to BS EN 10226 (ISO 7) or NPT. Flanged to BS EN 1092-2 NP16 or ANSI (other connection standards may be available upon request)
- External impulse
- Spring loaded
- High flow capacity
- Excellent outlet pressure control

Options

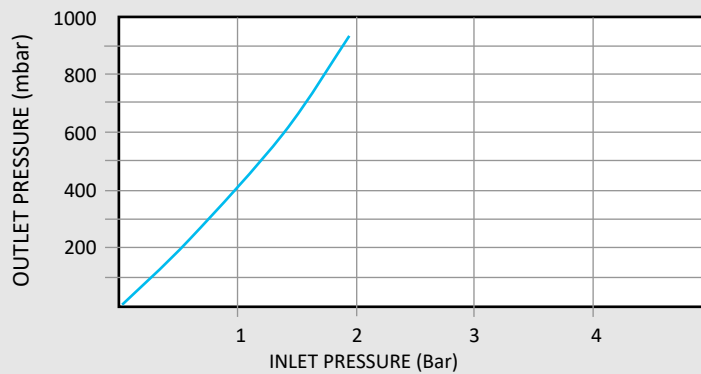
- Full or limited relief valve
- Over pressure slam shut
- Under pressure slam shut

J125B: Service Regulator

Schematic Installation



Relief Valve



The data represented in the graph left shows the rise in outlet pressure above the set point against change in inlet pressure at a full fault situation.

Regulator Springs

mbar	"wg	Part Number	Colour Code
8.8 – 15	3.5 – 6	J12509-091	Red
14 - 20	5.5 – 8	J12509-092	Orange
21 - 35	8.5 – 14	J12509-093	Yellow
36 - 70	14.5 – 28	J12509-094	Green
69 – 138	1 – 2 PSI	J12509-095	Royal Blue
104 - 173	1.5 – 2.5 PSI	J12509-096	Brown / Royal Blue
138 - 207	2 – 3 PSI	J12509-097	Brown / Green
207 - 350	3 – 5 PSI	J12509-098	Black / Green

OPSS Springs

mbar	"wg	Part Number	Colour Code
18 – 60	7.5 - 24	J12506-281	Black
50 - 80	20 - 32	J12506-282	Orange
60 - 110	24 - 44	J12506-283	Red
100 - 210	40 - 84	J12506-284	Dark Green
200 - 350	3 – 5 PSI	J12506-287	Yellow
280 - 500	4 – 7 PSI	J12506-288	White

UPSS Springs

mbar	"wg	Part Number	Colour Code
8 - 16	3 - 6	J12506-285	Light Blue
16 - 60	6 - 24	J12506-286	Brown
60 - 150	24 - 60	J12506-289	Purple

J125B: Service Regulator

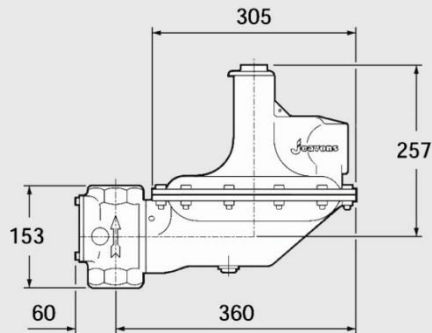
J125B Versions

The following table indicates the code numbers of the various J125B versions available.

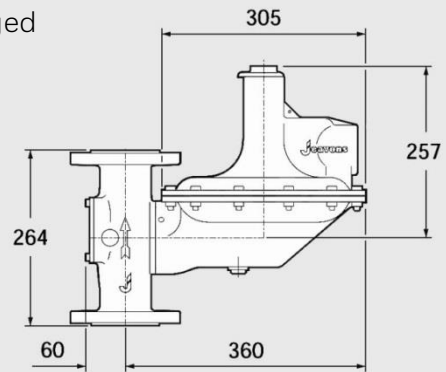
TYPE	Full Capacity Relief (FR)	Limited Capacity Relief (LR)	Over Pressure Slam Shut (OPSS)	Under Pressure Slam Shut (UPSS)	Unit Weight (Kg)	
					Screwed	Flanged
J125B-S1					10.7	16.8
J125B-S2	*				10.7	16.8
J125B-S3		*			10.7	16.8
J125B-S4	*		*		11.2	17.3
J125B-S5		*	*		11.2	17.3
J125B-S6	*			*	11.2	17.3
J125B-S7		*		*	11.2	17.3
J125B-S8	*		*	*	11.2	17.3
J125B-S9		*	*	*	11.2	17.3
J125B-S10			*		11.2	17.3
J125B-S11				*	11.2	17.3
J125B-S12			*	*	11.2	17.3

Dimensions

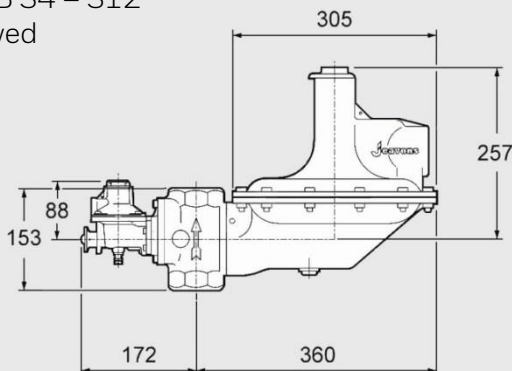
J125B S1/S2/S3
Screwed



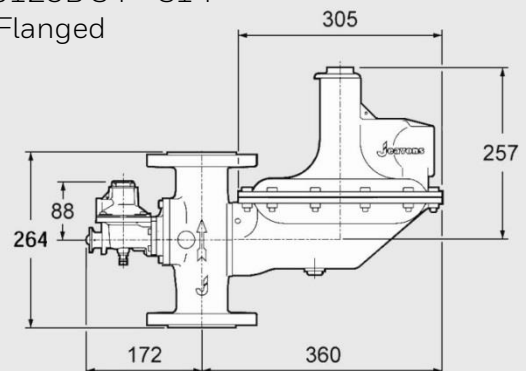
J125B S1/S2/S3
Flanged



J125B S4 – S12
Screwed



J125B S4 – S14
Flanged



J125B: Service Regulator

Regulating Capacities – 1½” Size

All capacities in SCMH 0.64 s.g. Droop = 20%

Spring Range (mbar)	8.8 - 15	14 - 20	21 - 35	36 - 70	69 - 138	104 - 173	138 - 207	207 - 350
Setting Pressure (mbar)	15	17.5	35	60	100	150	200	345
Inlet Pressure (mbar)								
350	195	202	163	280	178	192	158	-
689	400	495	342	436	379	350	382	243
1000	470	583	476	490	356	448	456	308
1500	490	592	492	500	386	456	468	412
2000	472	553	458	478	354	492	440	402
3000	612	685	624	455	598	735	668	620
4000	694	804	697	768	779	868	812	644
5000	656	702	704	810	889	855	885	780
6000	767	760	810	955	980	1090	1068	1010
8000	986	977	1041	1225	1260	1400	1373	1298

Regulating Capacities – 2” Size

350	280	290	230	400	250	280	225	-
689	570	700	485	620	535	495	540	350
1000	790	970	790	810	580	740	755	510
1500	820	994	820	835	640	760	775	680
2000	852	1002	833	865	645	891	749	723
3000	1123	1252	1136	826	1084	1330	1214	1123
4000	1394	1614	1394	1536	1549	1730	1614	1278
5000	1446	1549	1549	1769	1975	1910	1988	1743
6000	1687	1678	1807	2117	2169	2427	2375	2272
8000	1928	1916	2064	2416	2476	2772	2716	2596

Material Specifications

A summary of the material specification for the J125 is given for reference. All material has been selected to provide maximum durability and reliability in service.

Components	Specification
Regulator Body	S.G. Iron
Valve Seat	Brass
Regulator Valve Disc and “O” rings, USSA Diaphragm, Safety Diaphragm	Nitrile Synthetic Rubber (Buna)
USSA Valve Disc and “O” rings	Nitrile Synthetic Rubber
Regulator Valve, USSA Valve	Aluminium Alloy
Regulator Case and Cover, USSA Body and Cover	Aluminium Alloy
Regulator and USSA Valve Spindle	Stainless Steel
Regulator Diaphragm	Reinforced Synthetic Rubber
Relief Valve, Spring Holders, USSA Internals	Acetal Resin
Lever Arm, Regulator Diaphragm Plate, Vent Valve Plates, Clamping Plate	Mild Steel, Zinc Plated and Coated
Springs	Carbon Steel, Zinc Plated and Coated

For more information

www.elster-instromet.com

Honeywell | Smart Energy

United Kingdom
Elster Metering Ltd
Carlton Park Building 5
King Edward Avenue
Narborough, Leicester, LE19 0LF
www.elster-instromet.com
elsteruksales.hps@honeywell.com

Germany
Elster GmbH
Steinern St. 19 - 21
55252 Mainz -Kastel
T +49 6134 605 0
www.elster-instromet.com
customerfirst@honeywell.com

J125B2EN | 10 | 10/23
© 2023 Honeywell International Inc

Elster Metering Limited is a company registered in England under Number 00873781,
whose registered office is situated at Skimped Hill Lane Bracknell, Berkshire, RG12 1EB, UK.

Honeywell