

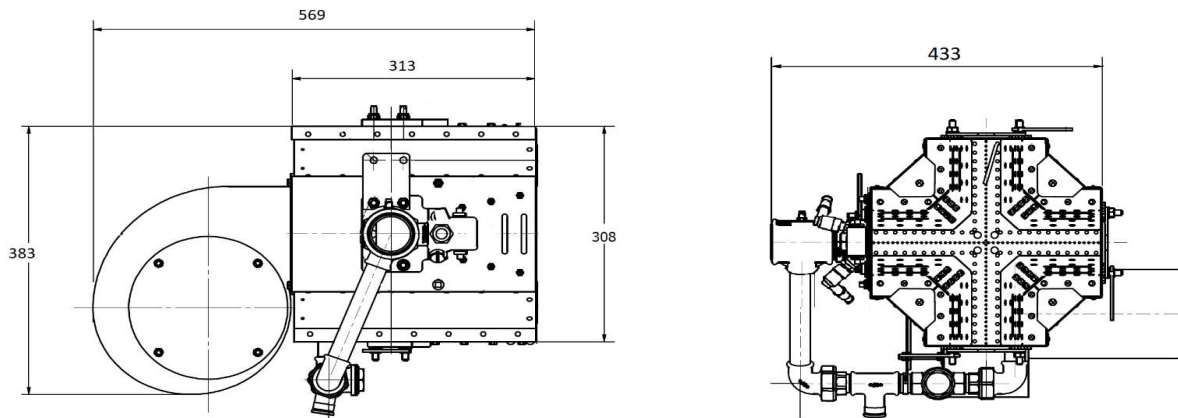
Eclipse AirHeat Burners

Model CAH (EMEA version)

Datasheet Edition 03.23

version 1

Dimensions in millimeters



Burner Catalog nr.	Assembly nr.		50 Hz Blower catalog nr	Total Input, kW		Cross sectional area (mm ²)	Approx. Ship Weight (kg)
	Position I	Position II		769 kW/m	962 kW/m		
160 CAH	00.4100057.16	00.4100057.26	00.9151060.02	464	586	101145	44

Inlet Flange & Components

Dimensions in millimeters

