



Instruction Manual
Turbine gas meters and quantometers
Type TRZ2 • Q

Betriebsanleitung
Turbinenradgaszähler und Quantometer
Typ TRZ2 • Q

Mode d'emploi
Compteurs de gaz à turbine et quantomètres
Type TRZ2 • Q

Manual de instrucciones
Contadores de gas de turbina y cuantómetros
Modelos TRZ2 • Q

Istruzioni d'uso
Contatori gas a turbina e quantometri
Tipo TRZ2 • Q

Gebruiksaanwijzing
Turbinegasmeters en quantometers
Type TRZ2 • Q

Instruction Manual
Turbine gas meters and quantometers
Type TRZ2 • Q

Betriebsanleitung
Turbinenradgaszähler und Quantometer
Typ TRZ2 • Q

Mode d'emploi
Compteurs de gaz à turbine et quantomètres
Type TRZ2 • Q

Manual de instrucciones
Contadores de gas de turbina y cuantómetros
Modelos TRZ2 • Q

Istruzioni d'uso
Contatori gas a turbina e quantometri
Tipo TRZ2 • Q

Gebruiksaanwijzing
Turbinegasmeters en quantometers
Type TRZ2 • Q



English

Deutsch

Français

Español

Italiano

Nederlands

Instruction Manual
Turbine gas meters and quantometers
Type TRZ2 · Q



Contents

1. Safety instructions	9
1.1 Intended use.....	10
1.2 Approvals and certifications*	10
1.3 Copyright and data protection	11
1.4 Exemption from liability.....	11
1.5 Product liability and guarantee.....	11
1.6 Personnel.....	12
1.7 Intended use and field of application	12
1.8 Legal declarations.....	12
1.9 Recycling and environmental protection	13
2. Structure and function	14
2.1 Device description	15
2.2 Index versions	16
2.3. Temperature test points	17
2.4 Pressure test points.....	18
3. Installation and commissioning	19
3.1 Scope of delivery.....	19
3.2 Storage.....	19
3.3 Transport.....	19
3.4 Requirements to be met before installation	20
3.5 Installation position and flow direction.....	21
3.6 Installation.....	22
3.7 Commissioning/Filling with oil	23
4. Maintenance	24
4.1 Cleaning.....	25
4.2 Repair/Removal.....	26
4.3 Disposal.....	26
5. Technical data	27
5.1 Dimensions, weights and connections	28
5.2 Ambient conditions.....	30
5.3 Approvals*.....	31
6. Annex A – Standards and Norms	32
7. Annex B – Plastics used	32
8. Annex C – List of gas types	33

Information on the documentation

The latest version of the operating instructions is available to download from the Honeywell website.

Please read the information in this document carefully in order to avoid injury to the user or damage to the device. Moreover, currently valid national standards, safety regulations and accident prevention regulations must be adhered to.

Should you have any problems understanding the contents of this document, please contact your local Honeywell branch for support. Honeywell cannot accept any responsibility for damage to property or personal injuries which are a result of the information in this document not having been understood properly.

This document helps you to set up the operating conditions in such a way that the safe and efficient use of the device is assured. In addition, this document also specifies points and safety measures which must be particularly observed and which are indicated using the following symbols:



WARNING or CAUTION

This symbol warns of dangerous situations. Failure to follow the instructions could result in danger to people and the environment or the meter could suffer damage.



INFORMATION or NOTE

Accurate measurement cannot be ensured if information or notes with this symbol are ignored.

1. Safety instructions

**WARNING!**

Danger of electrostatic discharge – only use a damp cloth to clean.

**WARNING!**

If there is danger that the device can be damaged from falling (pointed, sharp-edged or heavy) objects, the operator must protect the device.

**WARNING!**

Exposure to danger which can result from a chemical reaction between parts of the meter and chemical substances in the vicinity must be discussed with the manufacturer and the cause must be eliminated.

**WARNING!**

The meter must be included in the equipotential bond by connecting it to the grounded pipeline.

**WARNING!**

If you wish to add odorants or use solenoid valves, please always fit them downstream of the meter only. Otherwise, the device may be damaged.

**WARNING!**

The gas must not contain suspended particles $> 50 \mu\text{m}$. In addition, the gas must be dry. Otherwise, the meter may be damaged.

**INFORMATION!**

The flow through the meter must be free of vibrations and pulsations in order to avoid measuring errors.

**INFORMATION!**

Compliance with the specified operating and ambient conditions as indicated on the type label is absolutely essential for safe operation of the meter and additional equipment.

1.1 Intended use



CAUTION!

Responsibility for the use of the meter in terms of suitability, intended use and the corrosion resistance of the materials to the medium is solely in the hands of the operator.



INFORMATION!

The manufacturer shall not be liable for damage caused by improper or inappropriate use.

1.2 Approvals and certifications*

CE marking / EU declaration of conformity



The manufacturer certifies conformity with the EU declaration of conformity and by attaching the CE marking.

The measuring instrument meets the statutory requirements of the relevant EU Directives.

Comprehensive information on the applicable EU Directives and Standards, as well as recognized certifications, is contained in the EU declaration of conformity.

The EU declaration of conformity is included in the delivery and is also available to download at www.docuthek.com.

➤ **See chapter 5.3 Approvals and Annex A – Standards and Norms, for details of other approvals and Directives.**

ATEX/IECEX



DANGER!

The turbine gas meters and quantometers are suitable for use in Zone 1 hazardous areas and are approved with the following certification (IECEX) and manufacturer's declaration (ATEX):

Ex II 2G Ex h IIC T4 Gb

IECEX TUR 16.0043x (IECEX)

TÜV Rheinland Industrieservice GmbH
Am Grauen Stein | 51105 Köln | Germany

8000310657 (ATEX)

TÜV Nord AG
Am TÜV 1 | 30519 Hannover | Germany

* The marking on the device shall be applicable.

1.3 Copyright and data protection

This document has been created with the greatest possible care. No liability is assumed for the accuracy, completeness or currency of the contents.

The contents and works produced in this document are subject to copyright. Contributions by third parties are identified as such. The reproduction, processing, distribution and any form of use beyond that which is permitted by copyright require the written authorization of the respective author or the manufacturer. The manufacturer strives to always respect the copyright of others or to use his own or licence-free works.

We would like to point out that data transfer via the Internet (e.g. through e-mail communication) can be subject to breaches in security. It is not possible to provide complete protection against access by third parties.

1.4 Exemption from liability

The manufacturer shall not be liable for damage of any type caused by the use of this product, including but not restricted to, direct, indirect or incidental damage and its consequences.

This exemption from liability does not apply if the manufacturer has acted intentionally or with gross negligence. In the event that any applicable law does not allow such restrictions on implied warranties for defects, or the exclusion or limitation of certain payments for damages, and should such law apply to you, the above-mentioned exemption from liability, exclusions or limitations may not apply to you in part or in whole.

For every product purchased, the warranty is valid in accordance with the corresponding product documentation as well as the conditions of sale and delivery of the manufacturer.

The manufacturer reserves the right to amend without prior notice the contents of the documents, including this exemption from liability, in any form and at any point in time, and for any reason, and shall in no way be liable for any possible consequences of such amendments.

1.5 Product liability and guarantee

The responsibility as to whether the measuring instrument is suitable for the intended use is that of the operator. The manufacturer cannot accept any liability for the consequences of misuse by the operator. Improper installation or operation of the measuring instruments (systems) will render the warranty void. Furthermore, the relevant "General Terms and Conditions" which form the basis of the purchase contract also apply.

1.6 Personnel

This **manual is aimed at staff** who have adequate specialist and technical knowledge (in Germany, for instance, in accordance with DVGW Codes of Practice 492 and 495 or comparable technical regulations) on the basis of their training and experience in the sector of energy and gas distribution.

1.7 Intended use and field of application

Model series TRZ2 is designed for calibratable volumetric metering.
Model series Q is designed for non-calibratable volumetric metering.
All devices are suitable for metering the following media:

- flammable gases: natural gas/town gas/propane/butane
- non-flammable gases: air/nitrogen/inert gases
- Other areas of application or media, see Annex C – List of gas types or on request

This product is **not** intended for

- metering aggressive gases, e.g. biogas or sewage gases, oxygen or acetylene.

1.8 Legal declarations

- The metrological conformity assessment is based on the regulations of the country concerned, in which the measuring instrument will be used.
- The period of validity of calibration is based on the regulations of the country concerned, in which the measuring instrument will be used.

1.9 Recycling and environmental protection

Honeywell has designed the transport packaging of the measuring instrument to be environmentally friendly. Packaging materials are always selected consistently with a view to recycling. The cardboard items used constitute secondary raw materials for the paperboard and paper industry. The Instapak® foam packaging is recyclable and can be reused.

Plastic sheeting and strips/bands are also made of recyclable plastic. At Honeywell, subsequent recycling and disposal are already elements of the product development process. When selecting the materials, we allow for reusability of the materials, suitability of materials and subassemblies for dismantling and separation, and the risks of environmental pollution and health risks when recycling and dumping on landfill sites. The measuring instruments mainly consist of metallic materials which can be melted down again in steelworks and metallurgical plants and which can thus be reused a virtually unlimited number of times. The plastics used are listed in Annex B to ensure that the materials can be sorted and separated for the purposes of subsequent recycling.

Like all mineral oils (e.g. for motor vehicles), the oil supplied with the device must be disposed of in an environmentally sound way.

2. Structure and function

Operating principle

The gas flowing into the meter causes the turbine wheel to turn, with the number of revolutions being proportional to the operating volume passing through the meter. The gas flowing into the meter is accelerated by the specially designed flow conditioner which is located at the meter inlet. This flow conditioner is designed to ensure that any influences on the flow, such as swirls or asymmetric flow, are eliminated. This ensures high measurement accuracy even for low flow rates within the permissible error limits.

The speed of the rotating turbine wheel is reduced by a gear assembly. A transmission shaft connected to this gear assembly drives the 8-digit mechanical roller index in the unpressurized index head via a magnetic coupling. Having passed the turbine wheel, the gas leaves the meter through a flow-optimized outlet duct which is designed to allow maximum pressure recovery.

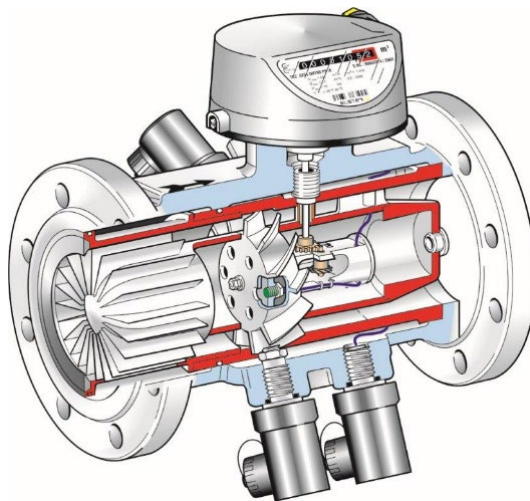


Fig. 1 | Turbine gas meter sectional view

2.1 Device description

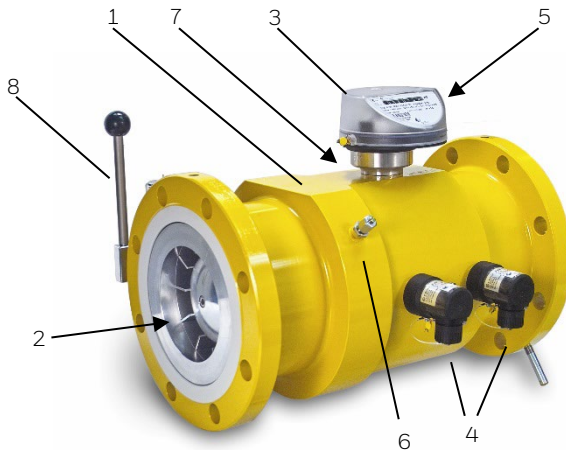


Fig. 2 | TRZ2 turbine gas meter

1	Meter housing	5	LF pulse generator (optional)
2	Measuring cartridge	6	Pressure test point
3	Index	7	Temperature test point(s)
4	HF pulse generator (optional)	8	Oil pump (optional)

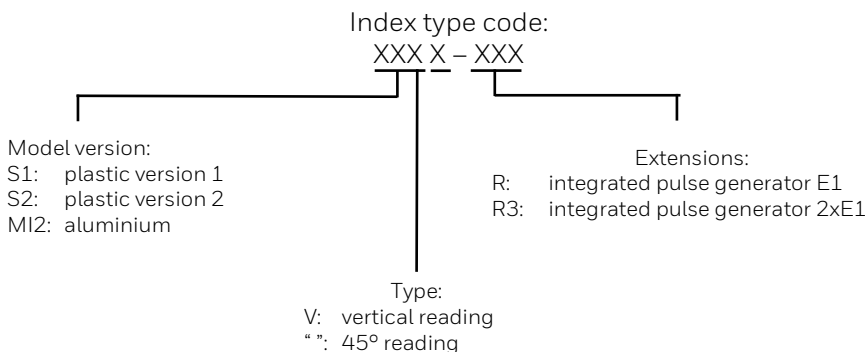
Please contact your local Honeywell Customer Service Centre for assistance in commissioning, maintenance and installation of encoders, pulse generators and volume conversion devices for instance. Repairs may be carried out only by authorized workshops.

2.2 Index versions

The meter can be equipped with various index versions:



Fig. 3 | Index examples (left: MI-2, centre: S1, right: S1V)



Property:	S1	S1V	MI-2
Mechanical roller index, 8-digit	•	•	•
Index, can be turned through 355°	•	•	•
Protection class IP 67	•	•	•
45° reading	•	–	•
Vertical reading	–	•	•
Connection for external pulse generator IN-Sxx/IN-Wxx	•	•	•
S1xR internal reed contact pulse generator	–	•	–
Optional: desiccant cartridge	–	–	•
Optional: ENCODER	•	•	–

Table 1 | Overview of the various index versions

2.3. Temperature test points



Fig. 4 | Temperature and pressure test points

Temperature sensors can be inserted into a thermowell for measuring the gas temperature in the gas meter housing. Up to two thermowells are available for this on turbine meters as an option (depending on the meter size). There are no temperature test points on quantometers. The maximum number and design of the thermowells are set out in the following table:

Max. Sensor Ø	TRZ2 DN	Housing-material	PN 10/16 EBL	PN 25/40 EBL	Class 150 EBL	Class 300 EBL	Class 600 EBL
6mm	TRZ2 Standard Line						
	80	GGG	27 (1x)	-	27 (1x)	-	-
	100	GGG	27 (1x)	-	27 (1x)	-	-
	150	GGG	27 (1x)	-	27 (1x)	-	-
	TRZ2 Premium Line						
	50	GGG/ ST	-	-	-	-	-
	80	GGG	45 (2x)	-	45 (2x)	-	-
		ST	45 (2x)	45 (1x)	45 (2x)	45 (1x)	45 (1x)
	100	GGG	50 (2x)	-	50 (2x)	-	-
		ST	50 (2x)	50 (1x)	50 (2x)	50 (1x)	50 (1x)
	100/ 150	GGG	67 (2x)	-	67 (2x)	-	67 (2x)
		ST	67 (2x)	67 (2x)	67 (2x)	67 (2x)	67 (2x)
	150	GGG	50 (2x)	-	50 (2x)	-	-
		ST	50 (2x)	50 (2x)	50 (2x)	50 (2x)	50 (2x)

Table 2 | Temperature sensors in the TRZ2

GGG = Spheroidal graphite cast iron

ST = Steel

EBL = Rounded installation length of the thermowell in mm

If no temperature test points are provided in the meter housing, external temperature measurements must be taken in the pipe downstream of the gas meter at a distance of up to 3 x DN, but max. 600 mm away.

**NOTE!**

- *In outdoor measuring systems, the result of measurement may be influenced by the ambient temperature.*
- *Insulate measuring elements outside the pipe adequately to prevent ambient temperature influences.*
- *Fill the thermowell(s) with a heat-conductive fluid or paste to achieve optimum thermal conduction.*

2.4 Pressure test points

A straight male coupling which complies with DIN 2353 is provided on the meter housing to act as a pressure test point, for example to connect a pressure sensor. It is marked pm/pr and is designed for connecting Ø 6 mm steel tubes to DIN EN 10305-1 (e.g. steel grade E235) or flexible pressure tubes from Honeywell.

**CAUTION!**

- *Danger to functional safety!*
- *Functional safety and reliability are ensured only if the material combination of the union component and the pipe are intermatched.*
- *The straight male coupling must not be connected to pipes made of stainless steel or pipes made of non-ferrous materials.*

**NOTE!**

- *Only use original Parker-Ermeto/ Voss pipe unions.*
- *We recommend that you contact our local Honeywell Customer Service Centre for conversion work and when installing additional devices.*

3. Installation and commissioning

**INFORMATION!**

Check the packing list to ensure that you have received your complete order. Check the type labels to ensure that the device supplied is the one you ordered.

**INFORMATION!**

Check the packaging carefully for signs of damage or signs that the device has been handled incorrectly. Report any damage to the forwarding agent and to the local representative of the manufacturer.

**INFORMATION!**

The installation material and tools are not supplied with the device. Use installation material and tools which comply with current health and safety regulations.

3.1 Scope of delivery

- > Ordered measuring instrument
- > Instruction manual
- > Product documentation
- > Oil – Shell Risella 917, Shell Catenex T121 or Klüber ISOFLEX PDP 38 (for meters lubricated with oil)
- > Optional accessories depending on the purchase order
- > Optional: calibration certificate

3.2 Storage

- > Store the device in a dry and dust-free location.
- > Avoid constant direct sunlight.
- > Store the device in its original packaging.
- > Storage temperature: -25 to +70°C / -13 to +158°F.

3.3 Transport

**INFORMATION!**

Do not lift the measuring instrument by the index.

3.4 Requirements to be met before installation

- Remove sealing caps and foils.
- Check the meter and accessories for signs of transport damage.
- Check that the turbine moves easily by generating a gentle air current.
- Ensure that you have all the tools you require available.
- Check that all the accessories are present (e.g. plug connectors, oil for initial filling).
- Seals which are suitable for your operating medium (see Table 4 for examples). Please also check whether you must comply with other standards, e.g. DIN EN 1591, Parts 1 – 4.

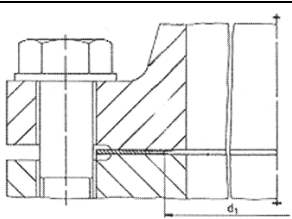
	DN	d1 [mm]	The following seals and gaskets, among others, are suitable: <ul style="list-style-type: none"> - flat seals - spiral-wound gaskets - grooved seals and gaskets
	50	62	
	80	100	
	100	125	
	150	178	

Table 4 | Suitable seals and gaskets

- Hexagon screws and nuts for flanges to DIN EN 1092-1

Material / Strength class		Operating limits	Standards
Screw	Nut		
5.6	5	up to 40 bar down to -10°C	DIN ISO 4014
8.8	8		DIN ISO 4032
CK 35	CK 35	up to 100 bar down to -10°C	DIN 2510
25CrMo4	25CrMo4	up to 100 bar down to -25°C	EN 10269

Table 5 | Suitable screws

- Stud bolts with continuous thread for flanges to ASME B 16.5

Material / Strength class		Operating limits	Standards
Screw	Nut		
A193 B6	A194 Gr. 6	up to 100 bar / 0°C	ASME B 1.1
A193 B7	A194 Gr. 2H	up to 100 bar / -25°C	

Table 6 | Suitable stud bolts

- Other equivalent materials may also be used.

3.5 Installation position and flow direction

- Install the turbine gas meter or quantometer ideally in a horizontal position with the index at the top.
- The permitted installation/operating positions of the meter are specified on the main plate in accordance with the designations “H”, “V” or “H/V” (H = horizontal, V = vertical) to DIN EN 12261. If you have specified the installation or operating position when ordering, all attachments will have been fitted in accordance with the installation position ex-works.
- The minimum length of the inlet section for TRZ2 must be at least twice the nominal diameter for reasons relating to measurement accuracy. An inlet section of $\geq 5 \times \text{DN}$ is required for TRZ2 DN 50.
- The inlet section must be designed as a straight pipe section with the same nominal diameter as the meter.
- The length of the outlet section is at least $1 \times \text{DN}$ of the same nominal diameter.

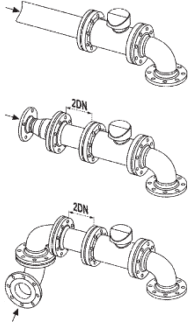
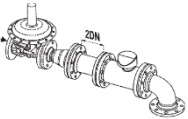
Flow disturbances	Typical inlet sections Pipe sections installed at a distance of 2D upstream of the meter inlet	TRZ2	Q
Minor disturbances - single manifolds - twin manifolds - diffusers		$L \geq 2D$ No flow conditioner	$L \geq 5D$
Major disturbances - pressure regulators for gas - other restrictors		$L \geq 2D$ No flow conditioner	$L \geq 5D$ Flow conditioner recommended

Table 7 | Inlet sections

3.6 Installation

**CAUTION!**

It is essential that you comply with the local health and safety regulations in force for installing flange connections.

**CAUTION!**

Fitters for flange connections in countries in which the Pressure Equipment Directive applies must have an appropriate qualification (e.g. under EN 1591-4).

**CAUTION!**

We recommend fitting a cone strainer with a mesh size of 250 µm to protect the meter. When installing the meter in a vertical position, with the direction of flow from bottom to top, a strainer must be fitted to both the meter inlet and outlet (to protect against falling dirt).

Remove the cone strainer again after around 4 – 6 weeks since it may be saturated after this time and therefore will inhibit the flow.

- During the installation process, check the flow direction shown on the index or meter housing.
- If you wish to install the unit vertically at a later point in time, the oil pump (if present) must also be fitted vertically. If this is not the case, you must turn the oil pump and its oil connection line and any other attachments, e.g. volume conversion device, through 90° before installing the meter.
- Fit the seals concentrically between the flanges and ensure that they do not project into the flow channel.
- Secure the meter using the screws set out in Table 5/6.
- Ensure that the meter is aligned without any tension.
- Install the supplied accessories.
- We recommend that the meter is installed at a site protected from the weather or that suitable protection is installed.

3.7 Commissioning/Filling with oil



CAUTION!

Before commissioning, meters with an oil pump must undergo initial lubrication (> see "To insert oil").



CAUTION!

Always keep the supply tank topped up with oil to prevent air entering the pipe system. Use only fresh, clean oil. The supply tank must be sealed tightly immediately after filling so that no dirt or water can get into it.



NOTE!

Other non-resinous and non-acidic oils with a viscosity of 23arden23. 30 mm²/s at 20°C, solidification point lower than - 30°C, or equivalent oils may be used. For special gases such as propane or butane, or in difficult operating conditions (e.g. full load operation or contaminated gases), the lubrication intervals should be halved (every 1.5 – 2 months).

On gas meters without an oil pump, the section entitled "To insert oil" can be omitted (continue with "Commissioning").

To insert oil:

- > Open the cover of the oil supply tank (see Fig. 5).
- > Fill the oil supply tank with the supplied oil.
- > The oil quantity is sufficient when the oil level is visible in the strainer.
- > The oil pump must be actuated as follows:



Fig. 5 | Oil supply tank

Commissioning		
Meter size:	Number of strokes:	
	Oil pump with lever (Premium Line)	Pushbutton oil pump (Standard Line)
DN 50	3	6
DN 80/100	5	10
DN 150	7	14

Table 8 | Commissioning



Fig. 6 | Oil pump with lever

Commissioning:

- **i** Slowly fill the system until the operating pressure is reached.
- The pressure rise must not exceed 350 mbar/s.
- A bypass line should be used for filling (recommendation: 12 mm pipe diameter).
- Do not exceed the measuring range of the gas meter even briefly.
- A tightness test must then be carried out.



Fig. 7 | Pushbutton oil pump

4. Maintenance

- i** **INFORMATION!**
Meters without an oil pump are maintenance-free.
- !** **NOTE!**
Meters with an oil pump must be lubricated every 3 to 4 months. For special gases such as propane or butane, or in difficult operating conditions (e.g. full load operation or contaminated gases), the lubrication intervals should be halved (every 1.5 – 2 months).
- !** **CAUTION!**
Always keep the supply tank topped up with oil to prevent air entering the pipe system. Use only fresh, clean oil. The supply tank must be sealed tightly immediately after filling so that no dirt or water can get into it.
- !** **NOTE!**
Other non-resinous and non-acidic oils with a viscosity of 24arden24. 30 mm²/s at 20°C, solidification point lower than - 30°C, or equivalent oils may be used.

- You must open the cover of the supply tank before operating the oil pump's hand lever/pushbutton.
- Check the oil volume: there must be an adequate volume of oil in the supply tank. The oil level must be visible in the strainer.
- The meter must be operational, i.e. the turbine wheel must be turning.
- Actuate the oil pump by hand as shown in Table 9. Pull the hand lever evenly as far as possible or press the pushbutton down as far as possible. One actuation cycle corresponds to one stroke of the pump's piston.
- After actuation, you must reseal the supply tank tightly.

Maintenance instructions		
Meter size:	Number of strokes:	
	Oil pump with lever (Premium Line)	Pushbutton oil pump (Standard Line)
DN 50	2	4
DN 80/100	4	8
DN 150	6	12
Oil types		
Oil type:	Operating temperature range:	
Shell Catenex T 121	-10°C to +70°C	
Klüber ISOFLEX PDP 38	-25°C to +70°C	

Table 9 | Maintenance instructions

4.1 Cleaning



WARNING!

Danger of electrostatic discharge – only use a damp cloth to clean.



DANGER!

- *Danger of explosion resulting from electrostatic discharge.*
- *There is a risk of explosion if the plastic cover of the index is cleaned with a dry cloth.*
- *It is forbidden to use aggressive chemical cleaning agents or solvents for cleaning.*
- *The plastic parts may only be cleaned with water.*

4.2 Repair/Removal



DANGER!

Do not start any maintenance work until the gas pipe has been depressurized.



INFORMATION!

Repairs may be carried out only by authorized workshops.

Decommissioning:



- > Slowly reduce the pressure in the gas pipe (max. 350 mbar/s).
- > Check that the gas pipe is not pressurized.
- > Undo the screw connections and remove the meter.

4.3 Disposal

The turbine gas meters mainly consist of metallic materials which can be melted down again in steelworks and metallurgical plants and which can thus be reused a virtually unlimited number of times. The plastics used are listed in Annex B to ensure that the materials can be sorted and separated for the purposes of subsequent recycling.

Like all mineral oils (e.g. for motor vehicles), the oil supplied with the device must be disposed of in an environmentally sound way.

5. Technical data

Type:	TRZ2	Q
Size	G65 to G1000	
Nominal size	DN 50 to DN 150	
Operating pressure	Max. 100 bar*	
Gas temperature	-25°C to +70°C**	
Housing material	Spheroidal graphite cast iron or steel	
Protection class	IP67	
Measured media	Natural gas and various filtered, non-caustic gases	
Metrological accuracy class	1.0	-

Table 10 | Technical data

* The details on the type label apply depending on the pressure rating.

** Different temperature limits for other measuring ranges (see type label for actual values)

Error limits

Maximum permissible error limits in accordance with EN 12261

$\pm 1.0\%$ for Q_t to Q_{max}

$\pm 2.0\%$ for Q_{min}

to Q_t

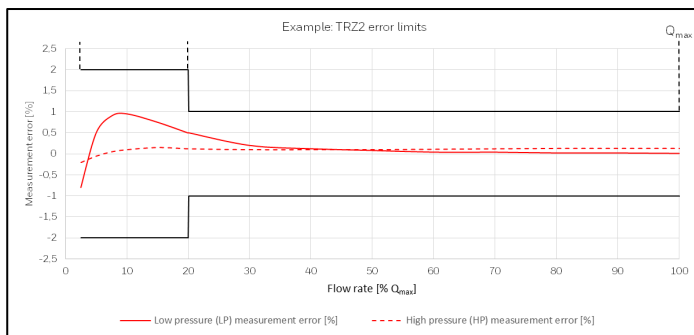


Fig. 8 | Error limits for TRZ2

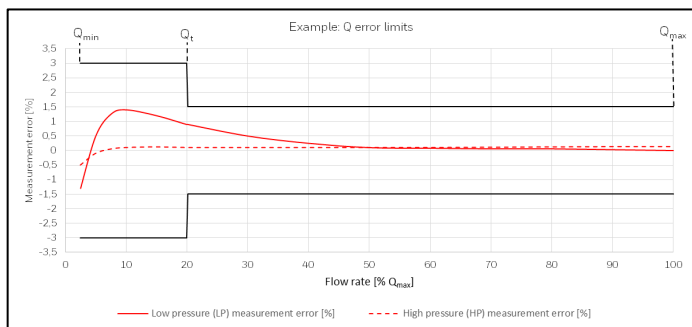


Fig. 9 | Error limits for Q

5.1 Dimensions, weights and connections

Performance data and dimensions of TRZ2

TRZ2	Nominal size	DN	50	80	80	80	100	100	100	100	150	150	150	150	150	150	150		
																		150	150
	Meter size	G	65	100	160	250*	160	250	400*	250	400*	250	400*	250	400*	250	400*	1000*	
Measuring data	Measuring range (1:20)	Q _{min}	5	8	12.5	20	12.5	20	32	20	32	20	32	20	32	20	32	50	80
	Δp** at Q _{max}	Q _{max}	100	160	250	400	250	400	650	400	650	400	650	400	650	400	650	1000	1600
	Temperature range	[mbar]	11	2	5	12	2	5	13	1	2	6	15						
	Pressure ratings		-25°C to +70°C***																
Housing**	A [mm]	165	215	215	215	215	273	273	273	273	356	356	356	356	356	356	356	356	356
	B [mm]	155	172	172	172	172	185	185	185	185	210	210	210	210	210	210	210	210	210
	C [mm]	150	240	240	240	240	300	300	300	300	450	450	450	450	450	450	450	450	450
	D [mm]	75	100	100	100	100	120	120	120	120	180	180	180	180	180	180	180	180	180
	E [mm]	135	157	157	157	157	170	170	170	170	193	193	193	193	193	193	193	193	193
	F [mm]	280	200	200	200	200	210	210	210	210	235	235	235	235	235	235	235	235	235
Weight [kg]**	PN10/16, ANSI150	GGG	10	21	21	21	29	29	29	29	53	53	53	53	53	53	53	53	
	PN25/40, ANSI300	Steel	13	32	32	32	50	50	50	50	91	91	91	91	91	91	91	91	
	PN64/100, ANSI600	Steel	15	33	33	33	50	50	50	50	97	97	97	97	97	97	97	97	
Output pulse values***	LF type EI (IN-Sxx)		10	1	1	1	1	1	1	1	1	1	1	1	1	1	1	1	0.1
	HF type AIR (P+F, NJ)		28000	10500	10500	10500	6630	6630	6630	6630	6630	6630	6630	6630	6630	6630	6630	6630	2560
	HF type AIS (IFM, N95000)		-	21000	21000	21000	13260	13260	13260	13260	13260	13260	13260	13260	13260	13260	13260	13260	5120

* Meter also available for measuring range 1:30

** Δp for natural gas at 1 bar abs.

*** Low deviations possible

**** Different temperature limits for other measuring ranges (see type label for actual values)

Table 12 | Performance data and dimensions of TRZ2

Performance data and dimensions of Q

Q	Nominal size	DN	50 / 2"	80 / 3"	80 / 3"	80 / 3"	100 / 4"	100 / 4"	100 / 4"	DN 150 / 6"	DN 150 / 6"	DN 150 / 6"
	Meter size	G		65	100	160	250	250	400	400	400	650
Measuring data	Measuring range	Q _{min}	6	10	13	20	20	32	32	32	50	80
	Δp** at Q _{max}	Q _{max}	100	160	250	400	400	650	650	650	1000	1600
		[mbar]	12	2	53	136	58	131	26	65	168	
	Temperature range		-25°C to +60°C (Q _{min} ≠ 8 m³/h), -10°C to 55°C (Q _{min} = 8 m³/h)									
	Temperature range		-25°C to +60°C (steel), -20°C to +60°C (GGG 40)									
	Pressure ratings		PN 10, 16, 25, 40, 64, 100 / ANSI 150, 300, 600									
Housing**	A [mm]	GGG 40***	60/150	120	120	120	120	150	150	175/180	175/180	175/180
		Steel	150	120	120	120	150	150	150	175/180	175/180	175/180
	B [mm]	GGG 40**										
		Steel*										
	C [mm]	GGG 40**	75	52	52	52	57	57	76	76	76	76
		Steel*	75	52	52	52	57	57	73	73	73	73
	D [mm]	GGG 40**	-	-	-	-	-	-	-	-	-	-
		Steel*	75	74	74	74	104	104	138	138	138	138
	E [mm]	GGG 40**	-	-	-	-	-	-	-	-	-	-
		Steel*	198	185	185	217	217	217	260	260	260	260
F [mm]	GGG 40**	143	158	158	170	170	170	195	195	195	195	
	Steel*	134	180	180	211	211	211	253	253	253	253	
H [mm]	GGG 40**	170	190	190	200	200	200	225	225	225	225	
	Steel*	165	193	193	230	230	230	272	272	272	272	
Weight [kg]***		GGG-40	4	13	13	13	15	15	28	28	28	28
		Steel	14	24	24	38	38	56	56	56	56	56
		Steel	15	26	26	48	48	77	77	77	77	77
Output pulse values*** [pulses/m³]		Steel	16	27	27	53	53	96	96	96	96	96
		LF type E1 (IN-Sxx)	10	1	1	1	1	1	1	1	1	1
		HF type A1R (P+F, NJ)	28000	10500	10500	10500	6630	6630	2560	2560	2560	2560
	HF type A1S (IFM, N95000)	-	-	-	-	-	-	-	-	-	-	-

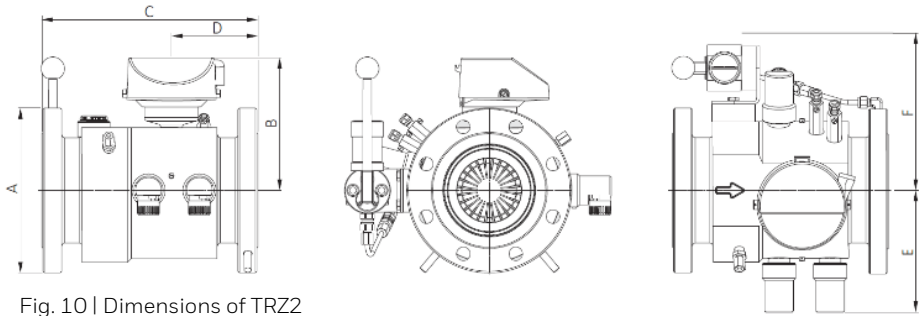
Depending on flange class

* Sandwich construction

** No oil lubrication possible

*** Low deviations possible

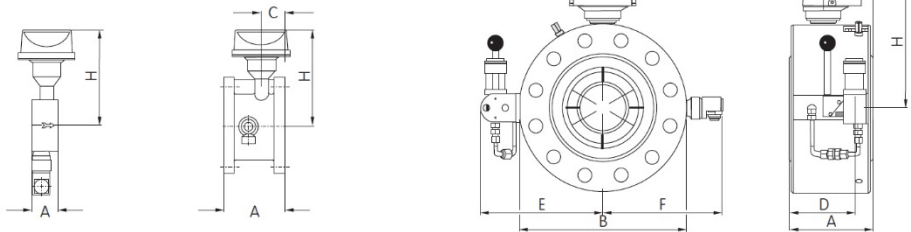
Dimensions of TRZ2



Dimensions of TRZ2

DN 50 (cast steel) DN 80 – 150 (cast steel)

DN 50 – 150 (steel)



5.2 Ambient conditions

Type:	TRZ2	Q
Ambient temperature	-25°C to +70°C	
Storage temperature		
Humidity	0 to 80% RH	
Max. height above sea level	2000 m	
Outdoor installation	Yes	
Mechanical environments	M1	

Table 14 | Ambient conditions

5.3 Approvals*

Approval:	Approval number:	Approval body:
MID	TRZ2: DE-09-MI002-PTB001	Physikalisch-Technische Bundesanstalt (PTB) Bundesallee 100 38116 Braunschweig Germany
PED	TRZ2: CE0085BMO200 Q: CE0085BMO267	DVGW Cert GmbH Germany Josef-Wirmer-Straße 1-3 53123 Bonn
ATEX	Ⓔ II 2G Ex h IIC T4 Gb 8000310657	TÜV Nord AG Am TÜV 1 30519 Hannover Germany
IECEX	Ex h IIC T4 Gb IECEX TUR 16.0043x	TÜV Rheinland Industrieservice GmbH Am Grauen Stein 51105 Köln Germany

Table 15 | Approvals

ATEX/IECEX legend:

Ⓔ	Marking of explosion protection
II	Equipment group: industrial (mining excluded)
2	Equipment category 2 (Zone 1)
G	Potentially explosive gas atmospheres
h	Type of ignition protection: mechanical explosion protection
IIC	Explosion group for gases
T4	Temperature class
Gb	Equipment protection level

*The marking on the device shall be applicable.

6. Annex A – Standards and Norms

The turbine gas meters comply with the following norms and standards*.

TRZ2	Q		
X		2014/32/EU – Annex IV (MI-002)	Measuring Instruments Directive (MID)
X	X	2014/68/EU	Pressure Equipment Directive (PED)
X		DIN EN 12261: 2018	Gas meters – Turbine gas meters
X	X	ISO 80079-36:2016-02 DIN EN ISO 80079-36:2016-12	Potentially explosive atmospheres – Part 36: Non-electrical equipment for explosive atmospheres – Basic method and requirements
X	X	ISO 80079-37:2016-02 DIN EN ISO 80079-37:2016-12	Potentially explosive atmospheres – Part 37: Non-electrical equipment for explosive atmospheres – Non-electrical type of protection constructional safety “c”, control of ignition sources “b”, liquid immersion “k”

* Standards valid at the time of the operating instructions going to press.

7. Annex B – Plastics used

The following plastics have been used in the turbine gas meter:

Plastic parts	Abbreviation	Chemical name
Pulse generator	PA 6.6	Polyamide
Gear assembly – complete	POM	Polyoxymethylene
Gears and small parts	POM	Polyoxymethylene
Index cover and index	PC	Polycarbonate
Index base	PPA	Polyphthalamide
Digit rollers	PA 12 PPO	Polyamide Polyphenylene oxide

8. Annex C – List of gas types

Medium	Abbreviation	TRZ2	Q
Acetylene	C2H2	B1/B3	B1/B3
Ammonia	NH3	-	-
Argon	Ar	X	X
Ethane	C2H6	B1	B1
Ethylene	C2H4	X	X
LPG		B1	B1
Biogas		-	-
Butane (gaseous)	C4H10	B1	B1
Chemically produced and refinery gases		-	-
Natural gas, dry		X	X
Acetic acid or acetic acid vapour		-	-
Forming gas	N2, H2	X	X
Helium	He	X	X
Isobutylene	C4H8	X	X
Coke oven gas		B2	B2
Carbonic acid, dry	CO2	X	X
Sewage gas, dry/wet		-	-
Carbon monoxide	CO	X	X
Air/Compressed air		B1	B1
Methane	C2H4	X	X
Pentane	C5H12	X	X
Propane (gaseous)	C3H8	X	X
Oxygen	O2	-	-
Town gas		X	X
Nitrogen	N	X	X
Hydrogen	H2	X**	X**
Sulphur dioxide	SO2	-	-
Hydrogen sulphide	H2S	-	-

Legend:

X Standard product

(X) Possible with restricted service life

- Not available

B1 With oil pump (oil tank)

B2 Steel housing

B3 $p_{\max} = 1.5$ bar

*Dry gas only

** Metrological accuracy is guaranteed with up to 10% hydrogen added to the natural gas

Betriebsanleitung
Turbinenradgaszähler und Quantometer
Type TRZ2 · Q



Inhalt

1. Sicherheitshinweise.....	38
1.1 Bestimmungsgemäße Verwendung	39
1.2 Zulassungen und Zertifizierung*	39
1.3 Urheberrecht und Datenschutz	40
1.4 Haftungsausschluss	40
1.5 Produkthaftung und Garantie	41
1.6 Personal.....	41
1.7 Verwendungszweck und Anwendungsbereich	41
1.8 Rechtliche Erklärungen.....	41
1.9 Recycling und Umweltschutz.....	42
2. Aufbau und Funktion	43
2.1 Gerätebeschreibung	44
2.2 Zählwerksausführungen.....	45
2.3 Temperaturmessstellen.....	46
2.4 Druckmessstellen	47
3. Installation und Inbetriebnahme.....	48
3.1 Lieferumfang	48
3.2 Lagerung.....	48
3.3 Transport.....	48
3.4 Voraussetzungen vor der Installation	49
3.5 Einbaulage und Durchflussrichtung	50
3.6 Montage	51
3.7 Erstinbetriebnahme / Öl einfüllen	51
4. Wartung	53
4.1 Reinigung.....	54
4.2 Reparatur / Deinstallation	55
4.3 Entsorgung	55
5. Technische Daten.....	56
5.1 Abmessungen, Gewichte und Anschlüsse.....	57
5.2 Umgebungsbedingungen	59
5.3 Zulassungen*	60
6. Anhang A – Standards und Normen	61
7. Anhang B – Verwendete Kunststoffe.....	61
8. Anhang C – Gasartenliste	62

Informationen zur Dokumentation

Die neuste Version der Bedienungsanleitung steht auf der Honeywell-Internetseite zum Download.

Um Verletzungen des Anwenders bzw. Schäden am Gerät zu vermeiden, ist es erforderlich, dass Sie die Informationen in diesem Dokument aufmerksam lesen. Darüber hinaus sind die geltenden nationalen Standards, Sicherheitsbestimmungen sowie Unfallverhütungsvorschriften einzuhalten.

Falls Sie Probleme haben, den Inhalt dieses Dokuments zu verstehen, wenden Sie sich für Unterstützung an die örtliche Honeywell-Niederlassung. Honeywell kann keine Verantwortung für Sach- oder Personenschäden übernehmen, die dadurch hervorgerufen wurden, dass Informationen in diesem Dokument nicht richtig verstanden wurden.

Dieses Dokument hilft Ihnen, die Betriebsbedingungen so einzurichten, dass der sichere und effiziente Einsatz des Geräts gewährleistet ist. Außerdem sind im Dokument besonders zu berücksichtigende Punkte und Sicherheitsvorkehrungen beschrieben, die jeweils in Verbindung mit den nachfolgenden Symbolen erscheinen.



WARNUNG oder VORSICHT

Dieses Zeichen steht für gefährliche Situationen. Den Anweisungen ist Folge zu leisten; sonst können Gefahren für Menschen und Umwelt entstehen oder das Messgerät kann einen Schaden erleiden.



INFORMATION oder HINWEIS

Wenn Informationen oder Hinweise mit diesem Zeichen missachtet werden, kann eine genaue Messung nicht gewährleistet werden.

1. Sicherheitshinweise



WARNUNG!

Gefahr durch elektrostatische Entladung – benutzen Sie nur ein feuchtes Tuch zum Reinigen.



WARNUNG!

Wenn die Gefahr besteht, dass das Gerät von herunterfallenden (spitzen, scharfkantigen oder schweren) Gegenständen beschädigt werden kann, ist der Betreiber verpflichtet das Gerät zu schützen.



WARNUNG!

Gefahren, die zu einer chemischen Reaktion zwischen den Teilen des Messgerätes und chemischen Substanzen in der Umgebung führen, müssen mit dem Hersteller abgesprochen und beseitigt werden.



WARNUNG!

Das Messgerät muss über die geerdete Rohrleitung in den Potenzialausgleich eingebunden werden.



WARNUNG!

Wenn Sie Odoriermittel einmischen oder Magnetventile verwenden wollen, sehen Sie diese erst hinter dem Zähler vor. Andernfalls kann das Gerät beschädigt werden.



WARNUNG!

Es dürfen keine Schwebteile > 50 µm im Gas enthalten sein und das Gas muss trocken sein. Andernfalls kann der Zähler Schaden nehmen.



INFORMATION!

Die Strömung durch den Zähler muss schwingungsfrei und pulsationsfrei sein, um Fehlmessungen zu vermeiden.



INFORMATION!

Für die sichere Funktion des Zählers, einschließlich seiner Zusatzeinrichtungen, ist das Einhalten der auf dem Typenschild angegebenen Betriebs- und Umgebungsbedingungen eine zwingende Voraussetzung.

1.1 Bestimmungsgemäße Verwendung



VORSICHT!

Die Verantwortung für den Einsatz des Messgerätes hinsichtlich Eignung, bestimmungsgemäßer Verwendung und Korrosionsbeständigkeit der verwendeten Werkstoffe gegenüber dem Messstoff liegt allein beim Betreiber.



INFORMATION!

Der Hersteller haftet nicht für Schäden, die aus unsachgemäßem oder nicht bestimmungsgemäßem Gebrauch entstehen.

1.2 Zulassungen und Zertifizierung*

CE-Kennzeichnung / EU-Konformitätserklärung



Der Hersteller bescheinigt die Konformität in der EU-Konformitätserklärung und durch das Anbringen des CE-Kennzeichens.

Dieses Messgerät erfüllt die gesetzlichen Anforderungen der entsprechenden EU-Richtlinien.

Umfassende Informationen über die angewendeten EU-Richtlinien und -Normen sowie die anerkannten Zertifizierungen sind in der EU-Konformitätserklärung.

Die EU-Konformitätserklärung ist im Lieferumfang enthalten oder kann online unter www.docuthek.com heruntergeladen werden.

> **Weitere Zulassungen und Richtlinien, siehe Kapitel 5.3 Zulassungen und Anhang A – Standards und Normen**

ATEX / IECEx



GEFAHR!

Die Turbinenradgaszähler und Quantometer sind geeignet für den Einsatz in explosionsgefährdeten Bereichen der Zone 1 und nach folgender Bescheinigung (IECEx) und Herstellerelbsterklärung (ATEX) zugelassen:

ExII 2G Ex h IIC T4 Gb

IECEx TUR 16.0043x (IECEx)

TÜV Rheinland Industrieservice GmbH
Am Grauen Stein | 51105 Köln | Germany

8000310657 (ATEX)

TÜV Nord AG
Am TÜV 1 | 30519 Hannover | Germany

*Es gilt die Kennzeichnung auf dem Gerät

1.3 Urheberrecht und Datenschutz

Dieses Dokument wurde mit größter Sorgfalt erstellt. Für die Richtigkeit, Vollständigkeit und Aktualität der Inhalte wird jedoch keine Gewähr übernommen.

Die erstellten Inhalte und Werke in diesem Dokument unterliegen dem Urheberrecht. Beiträge Dritter sind als solche gekennzeichnet. Die Vervielfältigung, Bearbeitung, Verbreitung und jede Art der Verwertung außerhalb der Grenzen des Urheberrechtes bedürfen der schriftlichen Zustimmung des jeweiligen Autors bzw. des Herstellers. Der Hersteller ist bemüht, stets die Urheberrechte anderer zu beachten bzw. auf selbst erstellte sowie lizenzfreie Werke zurückzugreifen.

Wir weisen darauf hin, dass die Datenübertragung im Internet (z. B. bei der Kommunikation per E-Mail) Sicherheitslücken aufweisen kann. Ein lückenloser Schutz der Daten vor dem Zugriff durch Dritte ist nicht möglich.

1.4 Haftungsausschluss

Der Hersteller ist nicht für Schäden jeder Art haftbar, die durch die Verwendung dieses Produkts entstehen, einschließlich, aber nicht beschränkt auf direkte, indirekte oder beiläufig entstandene Schäden und Folgeschäden.

Dieser Haftungsausschluss gilt nicht, wenn der Hersteller vorsätzlich oder grob fahrlässig gehandelt hat. Sollten aufgrund eines geltenden Gesetzes derartige Einschränkungen der stillschweigenden Mängelhaftung oder der Ausschluss bzw. die Begrenzung bestimmter Schadenersatzleistungen nicht zulässig sein und derartiges Recht für Sie gelten, können der Haftungsausschluss, die Ausschlüsse oder die Beschränkungen oben für Sie teilweise oder vollständig ungültig sein.

Für jedes erworbene Produkt gilt die Gewährleistung gemäß der entsprechenden Produktdokumentation sowie der Verkaufs- und Lieferbedingungen des Herstellers.

Der Hersteller behält sich das Recht vor, den Inhalt der Dokumente, einschließlich dieses Haftungsausschlusses, in jeder Weise und zu jedem Zeitpunkt, gleich aus welchem Grund, unangekündigt zu ändern, und ist in keiner Weise für mögliche Folgen derartiger Änderungen haftbar.

1.5 Produkthaftung und Garantie

Die Verantwortung, ob die Messgeräte für den jeweiligen Verwendungszweck geeignet sind, liegt beim Betreiber. Der Hersteller übernimmt keine Haftung für Folgen von Fehlgebrauch durch den Betreiber. Eine unsachgemäße Installation oder Bedienung der Messgeräte (-systeme) führt zu Garantieverlust. Darüber hinaus gelten die jeweiligen „Allgemeinen Geschäftsbedingungen“, die die Grundlage des Kaufvertrags bilden.

1.6 Personal

Diese **Anleitung richtet sich an Personal**, das aufgrund seiner Ausbildung und Erfahrung im Bereich der Energie- und Gasversorgung über ausreichende Fach- und Sachkenntnisse verfügt (z. B. in Deutschland DVGW-Arbeitsblätter 492 und 495 oder vergleichbare technische Regeln).

1.7 Verwendungszweck und Anwendungsbereich

Die Modellreihe TRZ2 ist vorgesehen zur eichfähigen Volumenmessung. Die Modellreihe Q ist für nicht eichfähige Volumenmessungen geeignet. Die Geräte sind für die Messung folgender Medien geeignet:

- brennbare Gase: Erdgas / Stadtgas / Propan / Butan
- nicht brennbare Gase: Luft / Stickstoff / Edelgase
- Andere Anwendungsbereiche / Medien, siehe Anhang C – Gasartenliste oder auf Anfrage

Dieses Produkt ist **nicht** vorgesehen für

- die Messung von aggressiven Gasen, z. B. Bio- oder Klärgasen, Sauerstoff, Acetylen.

1.8 Rechtliche Erklärungen

- Die messtechnische Konformitätsbewertung richtet sich nach den Vorschriften des jeweiligen Landes, in dem das Messgerät verwendet wird.
- Die Eichgültigkeitsdauer richtet sich nach den Vorschriften des jeweiligen Landes, in dem das Messgerät verwendet wird.

1.9 Recycling und Umweltschutz

Honeywell hat die Transportverpackungen der Messgeräte umweltgerecht gestaltet. Bei der Auswahl wird konsequent auf die mögliche Wiederverwertung geachtet. Die verwendeten Kartonagen sind Sekundärrohstoffe der Pappe- und Papierindustrie. Die Instapak®-Schaumverpackung ist recyclingfähig und wiederverwertbar.

Folien und Bänder sind ebenfalls aus recyclingfähigem Kunststoff. Bei Honeywell ist das spätere Recycling und die Entsorgung bereits Bestandteil der Produktentwicklung. Bei der Auswahl der Werkstoffe werden die stoffliche Wiederverwertbarkeit, die Demontierbarkeit und Trennbarkeit von Werkstoffen und Baugruppen ebenso berücksichtigt wie Umwelt- und Gesundheitsgefahren bei Recycling und Deponierung. Die Messgeräte bestehen zum größten Teil aus metallischen Werkstoffen, die in Stahl- und Hüttenwerken wieder eingeschmolzen werden können und dadurch nahezu unbegrenzt wiederverwertbar sind. Die verwendeten Kunststoffe sind im Anhang B aufgelistet, sodass sie für eine Sortierung und Frakturierung zum späteren Recycling vorbereitet sind.

Das mitgelieferte Öl muss wie alle Mineralöle (z. B. Öl für Kraftfahrzeuge) umweltgerecht entsorgt werden.

2. Aufbau und Funktion

Arbeitsprinzip

Das in den Zähler einströmende Gas versetzt das Messrad in Rotation, wobei die Drehzahl proportional zum durchgeströmten Betriebsvolumen ist. Der in den Zähler eintretende Gasstrom wird durch den speziell konstruierten Gleichrichter, der sich direkt am Zählereingang befindet, beschleunigt. Dieser Gleichrichter ist so ausgelegt, dass eventuelle Strömungseinflüsse, wie Verwirbelungen oder asymmetrischer Fluss, eliminiert werden. Dies ermöglicht auch bei geringen Durchflüssen eine hohe Messgenauigkeit innerhalb der zulässigen Fehlergrenzen.

Die Drehzahl des rotierenden Messrads wird durch ein Getriebe untersetzt. Eine mit dem Getriebe verbundene Übertragungswelle treibt über eine Magnetkupplung das 8-stellige, mechanische Rollenzählwerk im drucklosen Zählwerkskopf an. Nach dem Messrad verlässt das Gas den Zähler durch einen strömungsoptimierten Ausgangskanal, der auf maximalen Druckrückgewinn ausgelegt ist.

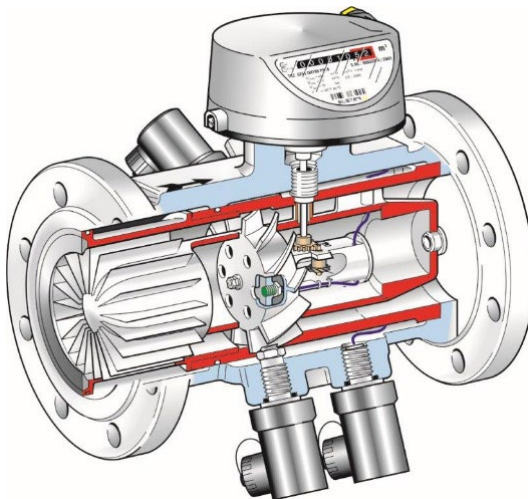


Abb. 1 | Schnittbild Turbinenradgaszähler

2.1 Gerätebeschreibung

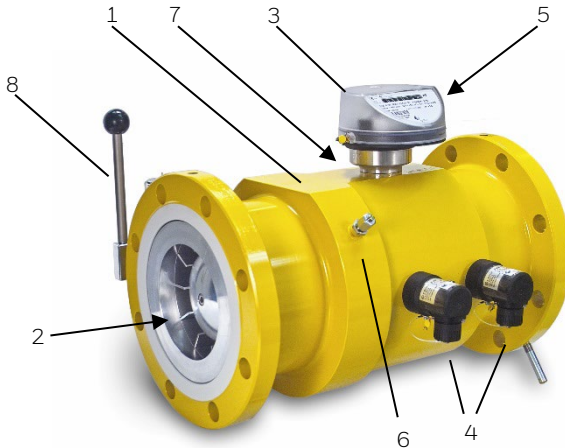


Abb. 2 | TRZ2 Turbinenradgaszähler

1	Zählergehäuse	5	NF-Impulsgeber (optional)
2	Messpatrone	6	Druckmessstelle
3	Zählwerkskopf	7	Temperaturmessstelle(n)
4	HF-Impulsgeber (optional)	8	Ölpumpe (optional)

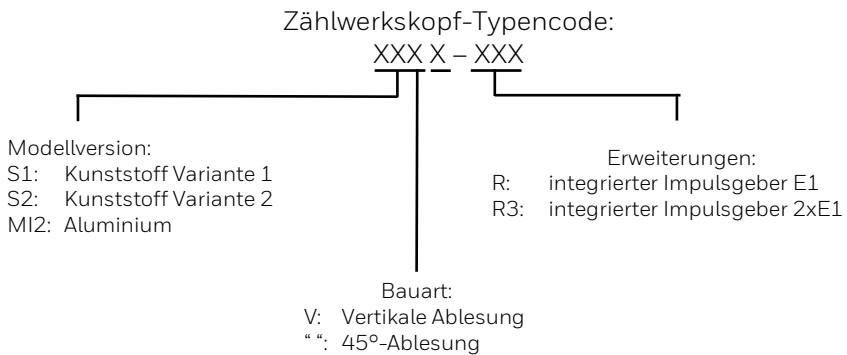
Zur Unterstützung bei Inbetriebnahme und Wartung sowie Installation von z. B. Encodern, Impulsgebern oder Mengenumwertern steht Ihnen Ihr lokaler Honeywell-Kundendienst gerne zur Verfügung. Reparaturen dürfen nur von autorisierten Werkstätten durchgeführt werden.

2.2 Zählwerksausführungen

Der Zähler kann mit verschiedenen Zählwerksausführungen ausgestattet sein:



Abb. 3 | Beispiel Zählwerksköpfe (links: MI-2, mitte: S1, rechts: S1V)



Eigenschaft:	S1	S1V	MI-2
Mechanisches Rollenzählwerk 8-stellig	•	•	•
Zählwerkskopf drehbar um 355°	•	•	•
Schutzklasse IP67	•	•	•
45°-Ablesung	•	-	•
Vertikale Ablesung	-	•	•
Anschluss für ext. Impulsgeber IN-Sxx / IN-Wxx	•	•	•
S1xR int. Reed-Kontakt Impulsgeber	-	•	-
Optional: Trockenpatrone	-	-	•
Optional: ENCODER	•	•	-

Tabelle 1 | Übersicht der verschiedenen Zählwerksausführungen

2.3 Temperaturmessstellen



Abb. 4 | Temperatur- und Druckmessstellen

Zur Messung der Gastemperatur können Temperaturfühler in eine Temperaturfühlertasche im Gehäuse des Gaszählers eingesetzt werden. Dafür stehen bei Turbinenradgaszählern optional (abhängig von der Baugröße des Zählers) bis zu zwei Temperaturfühlertaschen zur Verfügung. Bei Quantometern sind keine Temperaturmessstellen vorgesehen. Die maximale Anzahl und Ausführung der Temperaturfühlertaschen entnehmen Sie der folgenden Tabelle:

Max. Sensor Ø	TR22 DN	Gehäusewerkstoff	PN 10/16 EBL	PN 25/40 EBL	Class 150 EBL	Class 300 EBL	Class 600 EBL
6mm	TR22 Standard Line						
	80	GGG	27 (1x)	-	27 (1x)	-	-
	100	GGG	27 (1x)	-	27 (1x)	-	-
	150	GGG	27 (1x)	-	27 (1x)	-	-
	TR22 Premium Line						
	50	GGG/ ST	-	-	-	-	-
	80	GGG	45 (2x)	-	45 (2x)	-	-
		ST	45 (2x)	45 (1x)	45 (2x)	45 (1x)	45 (1x)
	100	GGG	50 (2x)	-	50 (2x)	-	-
		ST	50 (2x)	50 (1x)	50 (2x)	50 (1x)	50 (1x)
	100/ 150	GGG	67 (2x)	-	67 (2x)	-	67 (2x)
		ST	67 (2x)	67 (2x)	67 (2x)	67 (2x)	67 (2x)
	150	GGG	50 (2x)	-	50 (2x)	-	-
		ST	50 (2x)	50 (2x)	50 (2x)	50 (2x)	50 (2x)

Tabelle 2 | Temperaturfühler im TR22

GGG = Gusseisen mit Kugelgraphit

ST = Stahl

EBL = gerundete Einbaulänge der Temperaturtasche in mm

Sind keine Temperaturmessstellen im Zählergehäuse vorgesehen, müssen externe Temperaturmessungen in der Rohrleitung hinter dem Gaszähler in einer Entfernung bis 3 x DN, jedoch max. 600 mm, angeordnet sein.



HINWEIS!

- *Bei Messanlagen im Freien kann das Messergebnis durch die Umgebungstemperatur beeinflusst werden.*
- *Messelemente außerhalb der Rohrleitung ausreichend gegen Umgebungs-Temperatureinflüsse isolieren.*
- *Um eine optimale Wärmeleitung zu erreichen, sind die Temperaturtasche(n) mit einer Wärmeleitflüssigkeit bzw. -paste zu füllen.*

2.4 Druckmessstellen

Als Druckmessstelle, z. B. für den Anschluss eines Druckaufnehmers, ist am Zählergehäuse eine „Gerade Einschraubverschraubung“ nach DIN 2353 vorgesehen. Sie ist mit pm/pr gekennzeichnet und für den Anschluss von Stahlrohren Ø 6 mm nach DIN EN 10305-1 (z. B. Stahlsorte E235) oder flexiblen Druckschläuchen von Honeywell vorgesehen.



VORSICHT!

- *Gefährdung der Funktionssicherheit!*
- *Die Funktionssicherheit ist nur gewährleistet, wenn die Werkstoffpaarung der Verschraubungskomponente und des Rohrs zueinander passen.*
- *Die gerade Einschraubverschraubung darf nicht mit Rohren aus nichtrostendem Stahl oder mit Rohren aus Nichteisenwerkstoffen verbunden werden.*



HINWEIS!

- *Nur Original Parker- Ermeto/ Voss Rohrverschraubungen verwenden.*
- *Für Umbauten und Installationen von Zusatzgeräten empfehlen wir Ihnen unseren lokalen Honeywell-Kundendienst.*

3. Installation und Inbetriebnahme



INFORMATION!

Prüfen Sie die Packliste, um festzustellen, ob Sie Ihre Bestellung komplett erhalten haben. Prüfen Sie anhand der Typenschilder, ob das gelieferte Gerät Ihrer Bestellung entspricht.



INFORMATION!

Prüfen Sie die Verpackungen sorgfältig auf Schäden bzw. Anzeichen, die auf unsachgemäße Handhabung hinweisen. Melden Sie eventuelle Schäden beim Spediteur und beim örtlichen Vertreter des Herstellers.



INFORMATION!

Montagematerial und Werkzeug sind nicht Bestandteil des Lieferumfangs. Verwenden Sie Montagematerial und Werkzeug entsprechend den gültigen Arbeitsschutz- und Sicherheitsvorschriften.

3.1 Lieferumfang

- > Bestelltes Messgerät
- > Betriebsanleitung
- > Produktdokumentation
- > Öl – Shell Risella 917, Shell Catenex T121 oder Klüber ISOFLEX PDP 38 (bei ölgeschmierten Zählern)
- > Optionales Zubehör je nach Bestellung
- > Optional: Kalibrierzertifikat

3.2 Lagerung

- > Lagern Sie das Gerät an einem trockenen und staubfreien Ort.
- > Vermeiden Sie direkte, dauerhafte Sonneneinstrahlung.
- > Lagern Sie das Gerät in seiner Originalverpackung.
- > Lagertemperatur: -25...+70 °C / -13...+158 °F.

3.3 Transport



INFORMATION!

Das Messgerät nicht am Zählwerkskopf anheben.

3.4 Voraussetzungen vor der Installation

- Schutzkappen und Folien entfernen.
- Zähler und Zubehör auf Transportschäden überprüfen.
- Leichtgängigkeit des Messrades durch leichtes Ausblasen mit Luft überprüfen.
- Stellen Sie sicher, dass Ihnen alle erforderlichen Werkzeuge zur Verfügung stehen.
- Zubehör auf Vollständigkeit überprüfen (z. B. Steckverbinder, Öl für Erstfüllung).
- Dichtungen, die für einen Einsatz mit Ihrem Betriebsmedium geeignet sind (Beispiele, siehe Tabelle 4). Beachten Sie insbesondere auch, ob Sie gegebenenfalls in den Geltungsbereich anderer Normen, z. B. DIN EN 1591 Teile 1 – 4, fallen.

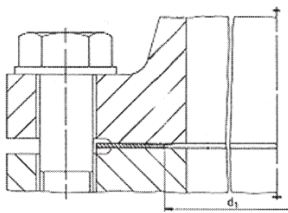
	DN	d1 [mm]	Geeignet sind unter anderem: - Flachdichtungen - Spiraldichtungen - Kammprofilierte Dichtungen
	50	62	
	80	100	
	100	125	
	150	178	

Tabelle 4 | Geeignete Dichtungen

- Sechskantschrauben und Muttern für Flansche nach DIN EN 1092-1

Werkstoff / Festigkeitsklasse		Einsatzgrenzen	Normen
Schraube	Mutter		
5.6	5	bis 40 bar bis -10 °C	DIN ISO 4014
8.8	8		DIN ISO 4032
CK 35	CK 35	bis 100 bar bis -10 °C	DIN 2510
25 Cr Mo4	25 Cr Mo4	bis 100 bar bis -25 °C	EN 10269

Tabelle 5 | Geeignete Schrauben

- Gewindebolzen mit durchgehendem Gewinde für Flansche nach ASME B 16.5

Werkstoff / Festigkeitsklasse		Einsatzgrenzen	Normen
Schraube	Mutter		
A193 B6	A194 Gr. 6	bis 100 bar / 0 °C	ASME B 1.1
A193 B7	A194 Gr. 2H	bis 100 bar / -25 °C	

Tabelle 6 | Geeignete Gewindebolzen

- Andere gleichwertige Werkstoffe können auch verwendet werden.

3.5 Einbaulage und Durchflussrichtung

- Installieren Sie das Messgerät in vorzugsweise horizontaler Lage mit dem Zählwerk oben.
- Die zulässigen Einbau-/Betriebspositionen des Zählers sind auf dem Hauptschild entsprechend der nach DIN EN 12261 dargestellten Bezeichnungen „H“, „V“ oder „H/V“ (H = horizontal, V = vertikal) angegeben. Wenn bei der Bestellung die Einbau- bzw. Betriebsposition angegeben wurde, so sind vom Werk alle Anbauten entsprechend der Einbaulage montiert.
- Aus Gründen der Messgenauigkeit ist als Mindestlänge der Einlaufstrecke bei TR22 die zweifache Nennweite (2 x DN) erforderlich. Bei TR22 DN 50 ist eine Einlaufstrecke von $\geq 5 \times DN$ erforderlich.
- Die Einlaufstrecke muss als gerades Rohrstück in der gleichen Nennweite wie der Zähler ausgeführt sein.
- Die Länge der Auslaufstrecke beträgt mindestens 1 x DN der gleichen Nennweite.
- Die Durchflussrichtung ist durch einen Pfeil auf dem Gehäuse gekennzeichnet.

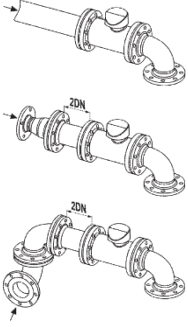
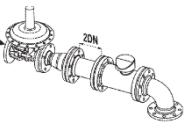
Strömungsstörungen	Typische Einlaufstrecken Rohrleitungsteile im Abstand von 2D vor dem Zählereingang installiert	TR22	Q
Geringe Störungen - Einfache Krümmer - Doppelkrümmer - Diffusor		$L \geq 2D$ kein Gleichrichter	$L \geq 5D$
Starke Störungen - Gasdruckregelgerät - andere Drosselgeräte		$L \geq 2D$ kein Gleichrichter	$L \geq 5D$ Gleichrichter wird empfohlen

Tabelle 7 | Einlaufstrecken

3.6 Montage



VORSICHT!

Für die Montage von Flanschverbindungen beachten Sie unbedingt die für Ihren Ort geltenden Sicherheits- und Arbeitssicherheitsvorschriften.



VORSICHT!

Monteure für Flanschverbindungen im Geltungsbereich der Druckgeräterichtlinie müssen eine entsprechende Qualifikation (z. B. nach EN 1591-4) besitzen.



VORSICHT!

Zum Schutz des Zählers empfehlen wir ein Kegelsieb mit einer Maschenweite von 250 µm. Beim Einbau des Zählers in einer vertikalen Lage und mit Durchflussrichtung von unten nach oben muss ein Sieb am Eingang sowie ein Sieb am Ausgang des Zählers eingebaut werden (Schutz vor rückfallendem Schmutz). Den Kegelsieb nach ca. 4 – 6 Wochen wieder entfernen, da er evtl. nach dieser Zeit gesättigt ist und somit als Strömungshindernis wirkt.

- Achten Sie beim Einbau auf die Durchflussrichtung und Einbaulage, die auf dem Zählwerkskopf und/oder Zählergehäuse angegeben ist.
- Bei einem nachträglich senkrechten Einbau muss die Ölpumpe (falls vorhanden) senkrecht nach oben stehen. Ist dies nicht der Fall, müssen Sie vor Einbau des Zählers die Ölpumpe und deren Ölanschlussleitung sowie evtl. andere Anbauten, z. B. Mengenumwerter, um 90° drehen.
- Dichtungen konzentrisch zwischen die Flansche setzen und darauf achten, dass sie nicht in den Strömungskanal hineinragen.
- Darauf achten, dass der Zähler verspannungsfrei ausgerichtet ist.
- Den Zähler mit Schrauben nach Tabelle 5 / 6 anziehen.
- Mitgelieferte Zubehörteile montieren.
- Es wird empfohlen, den Zähler wettergeschützt aufzustellen oder einen entsprechenden Schutz zu montieren.

3.7 Erstinbetriebnahme / Öl einfüllen



VORSICHT!

Vor der Inbetriebnahme müssen Zähler mit Ölpumpe eine Erstschmierung erhalten (> siehe „Öl einfüllen“).



VORSICHT!

Der Vorratsbehälter muss rechtzeitig mit Öl gefüllt werden, damit keine Luft ins Leitungssystem gelangt. Nur frisches, sauberes Öl verwenden. Der Vorratsbehälter muss nach dem Befüllen sofort fest verschlossen werden, damit kein Schmutz oder Wasser eindringen kann.



HINWEIS!

Andere harz- und säurefreie Öle mit einer Viskosität von ca. $30 \text{ mm}^2/\text{s}$ bei $20 \text{ }^\circ\text{C}$, Stockpunkt tiefer als $-30 \text{ }^\circ\text{C}$ oder gleichwertige Öle können verwendet werden. Bei speziellen Gasen wie z. B. Propan, Butan oder schweren Betriebsbedingungen (z. B. Volllastbetrieb oder verschmutzte Gase) sind die Schmierintervalle zu halbieren (alle 1,5 – 2 Monate).

Bei Gaszählern ohne Ölpumpe kann der Punkt „Öl einfüllen“ übersprungen werden (weiter bei „Inbetriebnahme“).

Öl einfüllen:

- > Deckel des Ölvorratsbehälters öffnen (siehe Abb. 5).
- > Befüllen des Ölvorratsbehälters mit dem mitgelieferten Öl.
- > Die Ölmenge ist ausreichend, wenn der Ölstand im Filtersieb zu sehen ist.
- > Die Ölpumpe muss folgendermaßen betätigt werden:



Abb. 5 | Ölvorratsbehälter

Erstinbetriebnahme		
Zählergröße:	Anzahl der Hübe:	
	Ölpumpe mit Hebel (Premium Line)	Druckknopfölpumpe (Standard Line)
DN 50	3	6
DN 80 / DN 100	5	10
DN 150	7	14

Tabelle 8 | Erstinbetriebnahme



Abb. 6 | Ölpumpe mit Hebel

Inbetriebnahme:

- **i** Anlage langsam bis zum Erreichen des Betriebsdrucks befüllen.
- Der Druckanstieg darf 350 mbar/s nicht übersteigen!
- Zum Befüllen sollte eine Bypass-Leitung verwendet werden (Empfehlung: 12 mm Rohrdurchmesser).
- Messbereich des Gaszählers auch kurzzeitig nicht überschreiten!
- Anschließend muss eine Dichtheitsprüfung durchgeführt werden!



Abb. 7 | Druckknopfölpumpe

Deutsch

4. Wartung

i **INFORMATION!**
Zähler ohne Ölpumpe sind wartungsfrei.

! **HINWEIS!**
Zähler mit Ölpumpe müssen alle 3 bis 4 Monate geschmiert werden. Bei speziellen Gasen wie z. B. Propan, Butan oder schweren Betriebsbedingungen (z. B. Vollastbetrieb oder verschmutzte Gase) sind die Schmierintervalle zu halbieren (alle 1,5 – 2 Monate).

! **VORSICHT!**
Der Vorratsbehälter muss rechtzeitig mit Öl gefüllt werden, damit keine Luft ins Leitungssystem gelangt. Nur frisches, sauberes Öl verwenden. Der Vorratsbehälter muss nach dem Befüllen sofort fest verschlossen werden, damit kein Schmutz oder Wasser eindringen kann.

! **HINWEIS!**
Andere harz- und säurefreie Öle mit einer Viskosität von ca. 30 mm²/s bei 20 °C, Stockpunkt tiefer als -30 °C oder gleichwertige Öle können verwendet werden.

- Bevor der Handhebel / Druckknopf der Ölpumpe betätigt wird, muss der Deckel des Vorratsbehälters geöffnet werden.
- Kontrolle der Ölmenge: Im Vorratsbehälter muss ausreichend Öl vorhanden sein. Der Ölstand muss im Filtersieb sichtbar sein.
- Der Zähler muss in Betrieb sein, d. h. das Messrad muss sich drehen.
- Betätigen der Ölpumpe von Hand nach Tabelle 9. Handhebel gleichmäßig bis zum Anschlag ziehen oder Druckknopf vollständig bis zum Anschlag betätigen. Eine Betätigung entspricht einem Kolbenhub der Pumpe.
- Nach der Betätigung müssen Sie den Vorratsbehälter wieder fest verschließen.

Wartungsanweisung		
Zählergröße:	Anzahl der Hübe:	
	Ölpumpe mit Hebel (Premium Line)	Druckknopfölpumpe (Standard Line)
DN 50	2	4
DN 80 / DN 100	4	8
DN 150	6	12
Ölsorten		
Ölsorte:	Einsatztemperaturbereich:	
Shell Catenex T 121	-10 °C bis +70 °C	
Klüber ISOFLEX PDP 38	-25 °C bis +70 °C	

Tabelle 9 | Wartungsanweisung

4.1 Reinigung



WARNUNG!

Gefahr durch elektrostatische Entladung – benutzen Sie nur ein feuchtes Tuch zum Reinigen.



GEFAHR!

- Explosionsgefahr durch elektrostatische Entladung.
- Es besteht Explosionsgefahr, wenn die Kunststoffhaube des Zählwerkes mit einem trockenen Tuch gereinigt wird.
- Das Verwenden von aggressiven chemischen Reinigungsmitteln oder Lösungsmitteln zur Reinigung ist verboten.
- Zum Reinigen der Kunststoffteile darf nur Wasser verwendet werden.

4.2 Reparatur / Deinstallation



GEFAHR!

Wartungsarbeiten nur bei druckloser Gasleitung durchführen.



INFORMATION!

Reparaturen dürfen nur von autorisierten Werkstätten durchgeführt werden.

Außerbetriebnahme:



- > Den Druck der Gasleitung langsam (maximal 350 mbar/s) senken.
- > Drucklosen Zustand der Gasleitung prüfen.
- > Verschraubungen lösen und den Zähler demontieren.

4.3 Entsorgung

Turbinenradgaszähler bestehen zum größten Teil aus metallischen Werkstoffen, die in Stahl- und Hüttenwerken wieder eingeschmolzen werden können und dadurch nahezu unbegrenzt wiederverwertbar sind. Die verwendeten Kunststoffe sind im Anhang B aufgelistet, sodass sie für eine Sortierung und Frakturierung zum späteren Recycling vorbereitet sind.

Das mitgelieferte Öl muss, wie alle Mineralöle (z. B. Öl für Kraftfahrzeuge), umweltgerecht entsorgt werden.

5. Technische Daten

Typ:	TRZ2	Q
Größe	G65 bis G1000	
Nennweite	DN 50 bis DN 150	
Betriebsdruck	Max. 100 bar*	
Gastemperatur	-25 °C bis +70 °C**	
Gehäusewerkstoff	Gusseisen mit Kugelgraphit oder Stahl	
Schutzklasse	IP67	
Messmedien	Erdgas und verschiedene gefilterte, nicht ätzende Gase	
Metrologische Genauigkeitsklasse	1,0	-

Tabelle 10 | Technische Daten

* Es gilt die Angabe auf dem Typenschild je nach Druckstufe.

** Abweichende Temperaturgrenzen für andere Messbereiche (gültige Angaben siehe Typenschild)

Fehlergrenzen

Maximal zulässige Fehlergrenzen gemäß EN 12261

±1,0 % für Q_t bis Q_{max}

±2,0 % für Q_{min} bis Q_t

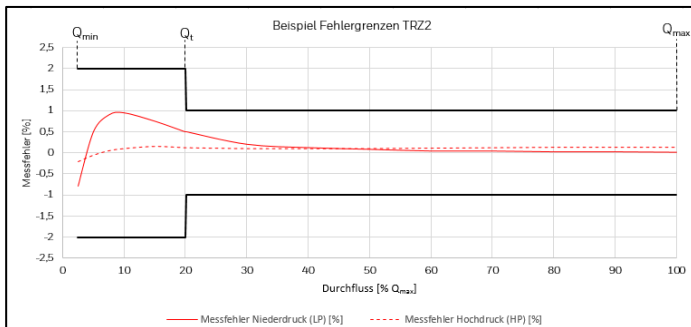
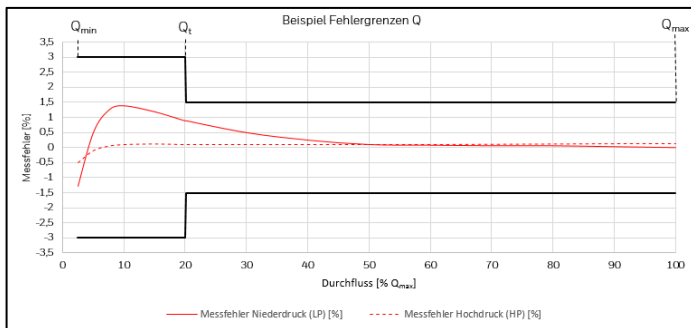


Abb. 8 | Fehlergrenzen TRZ2



5.1 Abmessungen, Gewichte und Anschlüsse

Leistungsdaten und Abmessungen TRZ2

TRZ2	Nennweite	DN	-25 °C bis +70 °C****														
			50	80	80	80	100	100	100	100	150	150	150	150			
Messtechnik	Zählergröße	G	65	100	160	250*	160	250	400*	250	400*	250	400*	250	400*	650*	1000*
	Messbereich (1:20)	Q _{min}	5	8	12,5	20	12,5	20	32	20	32	20	32	20	32	50	80
		Q _{max}	100	160	250	400	250	400	650	400	650	400	650	400	650	1000	1600
	Δp** bei Q _{max}	[mbar]	1,1	2	5	12	2	5	13	1	2	5	13	1	2	6	15
Temperaturbereich			-25 °C bis +70 °C****														
Druckstufen			PN 10, 16, 25, 40, 64, 100 / ANSI 150, 300, 600														
Gehäuse**	Abmessungen	A [mm]	165	215	215	215	273	273	273	273	356	356	356	356	356	356	356
		B [mm]	155	172	172	172	185	185	185	185	210	210	210	210	210	210	210
		C [mm]	150	240	240	240	300	300	300	300	300	450	450	450	450	450	450
		D [mm]	75	100	100	100	120	120	120	120	120	180	180	180	180	180	180
		E [mm]	135	157	157	157	170	170	170	170	170	193	193	193	193	193	193
		F [mm]	280	200	200	200	210	210	210	210	210	235	235	235	235	235	235
Gewicht [kg]***	PN10/16, ANSI150	GGG	10	21	21	21	29	29	29	53	53	53	53	53	53	53	
	PN25/40, ANSI300	Stahl	13	32	32	32	50	50	50	91	91	91	91	91	91	91	
	PN64/100, ANSI600	Stahl	15	33	33	33	50	50	50	97	97	97	97	97	97	97	
Ausgänge Impulswerte*** [Imp/m ³]	NF-Typ E1 (IN-Sxx)		10	1	1	1	1	1	1	1	1	1	1	1	1	1	
	HF-Typ A1R (P+F, NJ)		28000	10500	10500	10500	6630	6630	6630	6630	6630	6630	6630	6630	2560	2560	
	HF-Typ A1S (IFM, N95000)		-	21000	21000	21000	13260	13260	13260	13260	13260	13260	13260	13260	5120	5120	

* Zähler auch in Messbereich 1:30 lieferbar

** Δp für Erdgas bei 1 bar abs.

*** Geringe Abweichungen möglich

**** Abweichende Temperaturgrenzen für andere Messbereiche (gültige Angaben, siehe Typenschild)

Leistungsdaten und Abmessungen Q

Q	Nennweite	DN	50 / 2"	80 / 3"	100 / 3"	150 / 3"	200 / 3"	250 / 3"	300 / 3"	400 / 3"	500 / 3"	600 / 3"	800 / 3"	1000 / 3"	1200 / 3"	1500 / 3"	1800 / 3"	2000 / 3"			
Messtechnik	Zählergröße	G	65	100	160	250	400	650	1000	1600	2500	4000	6000	9000	13000	20000	30000	45000	60000		
	Messbereich	Q _{min}	6	10	13	20	20	32	50	80	120	180	270	400	600	900	1350	2000	2700	3600	
		Q _{max}	100	160	250	400	650	1000	1600	2500	4000	6000	9000	13000	20000	30000	45000	60000	80000	100000	
	Ap** bei Q _{max}	[mbar]	12	2	5,3	13,6	5,8	13,1	2,6	6,5	16,8	41,7	104,3	160,8	240,7	360,5	540,4	810,3	1080,2	1440,1	
Temperaturbereich	Temperaturbereich		-25 °C bis +60 °C (Q _{min} = 8 m³/h), -10 °C bis 55 °C (Q _{min} = 8 m³/h)																		
	Druckstufen		-25 °C bis +60 °C (Stahl), -20 °C bis +60 °C (GGG 40)																		
Gehäuse***	A [mm]	GGG 40**	60/150	120	120	120	120	150	150	150	175/180	175/180	175/180	175/180	175/180	175/180	175/180	175/180	175/180	175/180	
		Stahl*	150	120	120	120	150	150	150	175/180	175/180	175/180	175/180	175/180	175/180	175/180	175/180	175/180	175/180	175/180	
	B [mm]	GGG 40**																			
		Stahl*																			
	C [mm]	GGG 40**	75	52	52	52	52	57	57	57	76	76	76	76	76	76	76	76	76	76	76
		Stahl*	75	52	52	52	52	57	57	57	73	73	73	73	73	73	73	73	73	73	73
	D [mm]	GGG 40**	-	-	-	-	-	-	-	-	-	-	-	-	-	-	-	-	-	-	-
		Stahl*	75	74	74	74	74	104	104	104	138	138	138	138	138	138	138	138	138	138	138
	E [mm]	GGG 40**	-	-	-	-	-	-	-	-	-	-	-	-	-	-	-	-	-	-	-
		Stahl*	198	185	185	185	217	217	217	217	260	260	260	260	260	260	260	260	260	260	260
F [mm]	GGG 40**	143	158	158	158	170	170	170	170	195	195	195	195	195	195	195	195	195	195	195	
	Stahl*	134	180	180	180	211	211	211	211	253	253	253	253	253	253	253	253	253	253	253	
H [mm]	GGG 40**	170	190	190	190	200	200	200	200	225	225	225	225	225	225	225	225	225	225	225	
	Stahl*	165	193	193	193	230	230	230	230	272	272	272	272	272	272	272	272	272	272	272	
Gewicht [kg]**	PN 10/16, ANSI 150	GGG 40	4	13	13	13	15	15	15	28	28	28	28	28	28	28	28	28	28	28	
		Stahl	14	24	24	24	38	38	38	56	56	56	56	56	56	56	56	56	56	56	
	PN 2,5/40, ANSI 300	GGG 40	15	26	26	26	48	48	48	77	77	77	77	77	77	77	77	77	77	77	
		Stahl	16	27	27	27	53	53	53	96	96	96	96	96	96	96	96	96	96	96	
Ausgänge Impulswerte** * [Imp/m³]	NE-Typ E1 (IN-Sxx)		10	1	1	1	1	1	1	1	1	1	1	1	1	1	1	1	1	1	
	HF-Typ A1R (P+F, NJ)		28000	10500	10500	10500	6630	6630	6630	2560	2560	2560	2560	2560	2560	2560	2560	2560	2560	2560	
	HF-Typ A1S (IFM, N95000)		-																		

* Zwischenbauweise
 ** Keine Ölschmierung möglich
 *** Geringe Abweichungen möglich

Tabelle 13 | Leistungsdaten und Abmessungen Q

Abmessungen TR2Z

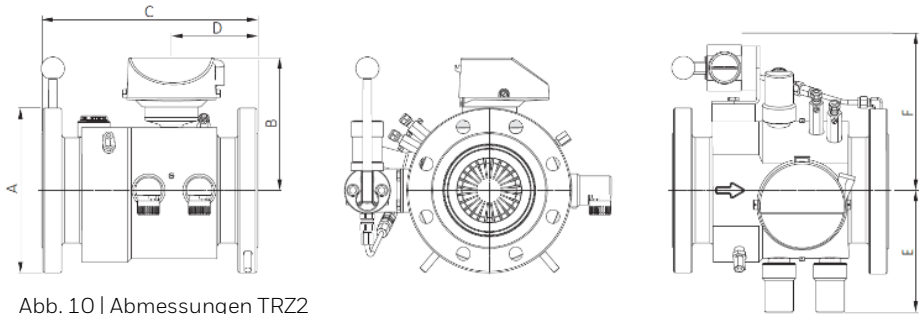


Abb. 10 | Abmessungen TR2Z

Deutsch

Abmessungen TR2Z

DN 50 (Stahlguss) DN 80 – 150 (Stahlguss)

DN 50 – 150 (Stahl)

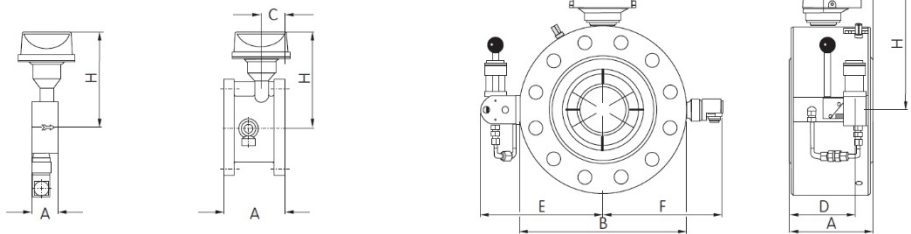


Abb. 11 | Abmessungen Q

5.2 Umgebungsbedingungen

Typ:	TR2Z	Q
Umgebungstemperatur	-25 °C bis +70 °C	
Lagertemperatur		
Feuchte	0 bis 80 % RH	
Max. Höhe über NN	2000 m	
Außeninstallation	Ja	
Mechanische Umgebungsbedingungen	M1	

Tabelle 14 | Umgebungsbedingungen

5.3 Zulassungen*

Zulassung:	Zulassungsnummer:	Zulassungsstelle:
MID	TRZ2: DE-09-MI002-PTB001	Physikalisch-Technische Bundesanstalt Bundesallee 100 38116 Braunschweig Germany
PED	TRZ2: CE0085BMO200 Q: CE0085BMO267	DVGW Cert GmbH Germany Josef-Wirmer-Straße 1-3 53123 Bonn
ATEX	Ⓔ II 2G Ex h IIC T4 Gb 8000310657	TÜV Nord AG Am TÜV 1 30519 Hannover Germany
IECEX	Ex h IIC T4 Gb IECEX TUR 16.0043x	TÜV Rheinland Industrieservice GmbH Am Grauen Stein 51105 Köln Germany

Tabelle 15 | Zulassungen

ATEX / IECEx-Legende:

Ⓔ	Kennzeichnung für Explosionsschutz
II	Gerätegruppe: Industrie (Grubenbau ausgeschlossen)
2	Gerätegruppe 2 (Zone 1)
G	Gasexplosionsgefährdete Bereiche
h	Zündschutzart: mechanischer Explosionsschutz
IIC	Explosionsgruppe für Gase
T4	Temperaturklasse
Gb	Geräteschutzniveau

*Es gilt die Kennzeichnung auf dem Gerät

6. Anhang A – Standards und Normen

Die Turbinenradgaszähler erfüllen folgende Normen und Standards*:

TRZ2	Q		
X		2014/32/EU – Anhang IV (MI-002)	Messgeräterichtlinie (MID)
X	X	2014/68/EU	Druckgeräterichtlinie (PED)
X		DIN EN 12261: 2018	Gaszähler – Turbinenradgaszähler
X	X	ISO 80079-36:2016-02 DIN EN ISO 80079-36:2016-12	Explosionsfähige Atmosphären – Teil 36: Nicht-elektrische Geräte für den Einsatz in explosionsfähigen Atmosphären – Grundlagen und Anforderungen
X	X	ISO 80079-37:2016-02 DIN EN ISO 80079-37:2016-12	Explosionsfähige Atmosphären – Teil 37: Nicht-elektrische Geräte für den Einsatz in explosionsfähigen Atmosphären – Schutz durch konstruktive Sicherheit „c“, Zündquellenüberwachung „b“, Flüssigkeitskapselung „k“

* Gültigkeit der Normen jeweils zur Drucklegung der Betriebsanleitung.

Deutsch

7. Anhang B – Verwendete Kunststoffe

Folgende Kunststoffe sind in dem Turbinenradgaszähler verbaut:

Kunststoffteile	Kurzzeichen	Chem. Bezeichnung
Impulsgeber	PA 6.6	Polyamid
Getriebe – kpl.	POM	Polyoxymethylen
Zahnräder und Kleinteile	POM	Polyoxymethylen
Zählwerkshaube und Zählwerk	PC	Polycarbonat
Zählwerksunterteil	PPA	Polyphthalamid
Ziffernrollen	PA 12 PPO	Polyamid Polyphenylenoxid

8. Anhang C – Gasartenliste

Medium	Kurzzeichen	TRZ2	Q
Acetylen	C2H2	B1/B3	B1/B3
Ammoniak	NH3	-	-
Argon	Ar	X	X
Äthan	C2H6	B1	B1
Äthylen	C2H4	X	X
Autogas		B1	B1
Biogas		-	-
Butan (gasförmig)	C4H10	B1	B1
Chemie / Raffineriegase		-	-
Erdgas, trocken		X	X
Essigsäure oder -dampf		-	-
Formiergas	N2, H2	X	X
Helium	He	X	X
Isobutylen	C4H8	X	X
Kokereigas		B2	B2
Kohlensäure, trocken	CO2	X	X
Klär gas, trocken / nass		-	-
Kohlenmonoxid	CO	X	X
Luft / Druckluft		B1	B1
Methan	C2H4	X	X
Pentan	C5H12	X	X
Propan (gasförmig)	C3H8	X	X
Sauerstoff	O2	-	-
Stadtgas		X	X
Stickstoff	N	X	X
Wasserstoff	H2	X**	X**
Schwefeldioxid	SO2	-	-
Schwefelwasserstoff	H2S	-	-

Legende:

X Standard-Produkt

(X) Mit eingeschränkter Lebensdauer möglich

- Nicht lieferbar

B1 Mit Ölpumpe (Ölreservoir)

B2 Stahlgehäuse

B3 $p_{\max} = 1,5$ bar

*Nur trockenes Gas

** Metrologische Genauigkeit wird bis zu 10% Wasserstoff Beimischung in Erdgas gewährleistet

Mode d'emploi
Compteurs de gaz à turbine et quantomètres
Type TRZ2 · Q



Sommaire

1. Conseils de sécurité.....	67
1.1 Utilisation conformément à la destination.....	68
1.2 Homologations et certifications*.....	68
1.3 Droit d'auteur et protection des données.....	69
1.4 Clause de non-responsabilité.....	69
1.5 Responsabilité produit et garantie.....	70
1.6 Personnel.....	70
1.7 Utilisation prévue et domaine d'application.....	70
1.8 Déclarations légales.....	70
1.9 Recyclage et protection de l'environnement.....	71
2. Configuration et fonctionnement.....	72
2.1 Description de l'appareil.....	73
2.2 Versions de totalisateurs.....	74
2.3. Prises de température.....	75
2.4 Prises de pression.....	76
3. Installation et mise en service.....	77
3.1 Programme de livraison.....	77
3.2 Entreposage.....	77
3.3 Transport.....	77
3.4 Conditions avant l'installation.....	78
3.5 Position de montage et sens d'écoulement.....	79
3.6 Montage.....	80
3.7 Mise en service initiale / remplissage d'huile.....	81
4. Maintenance.....	82
4.1 Nettoyage.....	83
4.2 Réparation/désinstallation.....	84
4.3 Mise au rebut.....	84
5. Caractéristiques techniques.....	85
5.1 Dimensions, poids et raccords.....	86
5.2 Conditions ambiantes.....	88
5.3 Homologations*.....	89
6. Annexe A – Documents normatifs.....	90
7. Annexe B – Matières plastiques utilisées.....	90
8. Annexe C – Liste des types de gaz.....	91

Informations relatives à la documentation

La dernière version du mode d'emploi peut être téléchargée depuis le site Internet Honeywell.

Afin que l'utilisateur ne se blesse pas ou que l'appareil ne soit pas endommagé, il est indispensable de lire attentivement les informations contenues dans ce document. De plus, les normes, dispositions de sécurité et prescriptions de prévention des accidents nationales en vigueur doivent être respectées.

Si vous rencontrez des problèmes de compréhension du contenu de ce document, demandez l'assistance de la succursale locale Honeywell. Honeywell décline toute responsabilité eu égard aux dommages matériels et corporels consécutifs à une mauvaise compréhension d'informations figurant dans ce document.

Ce document vous aide à créer des conditions de fonctionnement qui garantissent une utilisation sûre et efficace de l'appareil. Par ailleurs, des points et des consignes de sécurité à respecter en particulier et qui comportent les symboles ci-après sont mentionnés dans ce document.



AVERTISSEMENT ou ATTENTION

Ce symbole indique des situations dangereuses. Les instructions doivent être respectées. Dans le cas contraire des risques existent pour les utilisateurs et l'environnement ou l'appareil de mesure peut être endommagé.



INFORMATION ou INDICATION

En cas de non-respect d'informations ou d'indications comportant ce symbole, la précision de mesure ne peut être garantie.

1. Conseils de sécurité



AVERTISSEMENT !

Danger dû à des décharges électrostatiques – utiliser uniquement un chiffon humide pour le nettoyage.



AVERTISSEMENT !

Si l'appareil peut être endommagé par la chute d'objets (pointus, tranchants ou lourds), l'exploitant est tenu de le protéger.



AVERTISSEMENT !

Les dangers pouvant entraîner une réaction chimique entre les composants de l'appareil de mesure et des substances chimiques présentes dans l'environnement doivent être abordés avec le fabricant et écartés.



AVERTISSEMENT !

L'appareil de mesure doit être intégré dans le système de compensation du potentiel en procédant à un raccordement à une conduite mise à la terre.



AVERTISSEMENT !

Si vous voulez ajouter des matières odorantes ou utiliser des électrovannes, prévoyez le montage des dispositifs correspondants en aval du compteur. Autrement, l'appareil peut être endommagé.



AVERTISSEMENT !

Le gaz ne doit pas contenir de particules en suspension > 50 µm et le gaz doit être sec. Autrement, le compteur est susceptible d'être endommagé.



INFORMATION !

Le flux qui traverse le compteur doit être exempt de vibrations et de pulsations afin d'éviter les erreurs de mesure.



INFORMATION !

Pour garantir le fonctionnement fiable du compteur ainsi que des dispositifs supplémentaires de celui-ci, le respect des conditions de service et des conditions ambiantes indiquées sur la plaque signalétique est une condition obligatoire.

1.1 Utilisation conformément à la destination



ATTENTION !

Lors de l'utilisation des appareils de mesure, l'opérateur est seul responsable du caractère approprié, de l'utilisation conforme et de la résistance à la corrosion des matériaux utilisés vis-à-vis du fluide de mesure.



INFORMATION !

Le fabricant décline toute responsabilité en cas de dommages consécutifs à une utilisation incorrecte ou non conforme.

1.2 Homologations et certifications*

Marquage « CE » / Déclaration « UE » de conformité



Le fabricant atteste la conformité dans la déclaration « UE » de conformité et par l'apposition du marquage « CE ».

Cet appareil de mesure répond aux exigences légales des directives UE correspondantes.

Des informations complètes relatives aux directives et normes UE appliquées ainsi qu'aux certifications reconnues figurent dans la déclaration « UE » de conformité.

La déclaration « UE » de conformité est comprise dans la livraison ou peut être téléchargée en ligne sur www.docuthek.com.

> **Pour d'autres homologations et directives, se reporter au Chapitre 5.3. Homologations et Annexe A – Documents normatifs**

ATEX/IECEX



DANGER !

Les compteurs de gaz à turbine et les quantomètres conviennent à une utilisation dans une zone à risque d'explosion 1 et sont homologués suivant l'attestation (IECEX) et la déclaration du fabricant (ATEX) ci-après :

Ex II 2G Ex h IIC T4 Gb

IECEX TUR 16.0043x (IECEX)

TÜV Rheinland Industrieservice GmbH
Am Grauen Stein | 51105 Köln | Allemagne

8000310657 (ATEX)

TÜV Nord AG
Am TÜV 1 | 30519 Hannover | Allemagne

* Le marquage sur l'appareil s'applique.

1.3 Droit d'auteur et protection des données

Ce document a été élaboré avec le plus grand soin. Honeywell décline néanmoins toute responsabilité eu égard à l'exactitude, l'exhaustivité et la mise à jour des contenus.

Les contenus et les œuvres créés dans ce document sont soumis au droit d'auteur. Les contributions de tiers sont identifiées en tant que telles. La duplication, le traitement, la diffusion et toute valorisation quelle qu'elle soit en dehors des limites du droit d'auteur requièrent le consentement écrit des différents auteurs ou du fabricant. Le fabricant s'efforce de prendre en compte les droits d'auteur de tiers et de recourir aux œuvres qu'il aura lui-même créées ou à celles sans licence.

Nous vous informons que la transmission de données sur Internet (par exemple en cas de communication par e-mail) peut comporter des failles de sécurité. Aucune protection parfaite des données contre un accès par des tiers n'est possible.

1.4 Clause de non-responsabilité

Le fabricant décline toute responsabilité pour de quelconques dommages lors de l'utilisation de ce produit, dont notamment des dommages directs, indirects ou accessoires et des dommages induits.

Cette clause de non-responsabilité ne s'applique pas lorsque le fabricant a agi délibérément ou par négligence grave. Lorsqu'en vertu d'une loi en vigueur, de telles restrictions de la garantie implicite ou l'exclusion et la restriction de certaines prestations en dommages-intérêts ne sont pas autorisées, et lorsque cette loi s'applique à vous, la clause de non-responsabilité, les exclusions ou les restrictions ci-dessus peuvent être inapplicables en partie ou en totalité dans votre cas.

La garantie s'applique à tout produit acheté, conformément à la documentation produit correspondante ainsi qu'aux conditions de vente et de livraison du fabricant.

Le fabricant se réserve le droit de modifier sans préavis le contenu des documents, dont cette clause de non-responsabilité, de quelle manière que ce soit, à tout moment et pour quelque motif que ce soit, et il ne peut en aucun cas être tenu responsable des conséquences éventuelles de telles modifications.

1.5 Responsabilité produit et garantie

La responsabilité eu égard à l'adéquation des appareils de mesure aux différentes utilisations prévues incombe à l'exploitant. Le fabricant n'assume aucune responsabilité quant aux conséquences d'un mauvais usage par l'exploitant. Une installation ou utilisation incorrectes des appareils (systèmes) de mesure entraîne une suppression de la garantie. De plus, les « conditions générales » correspondantes qui constituent la base du contrat d'achat s'appliquent.

1.6 Personnel

Ce **mode d'emploi s'adresse aux personnes** disposant de connaissances techniques et de compétences suffisantes (par ex. selon les codes de pratique DVGW 492 et 495 pour l'Allemagne ou selon les règles techniques similaires) de par leur formation et leur expérience dans le domaine de l'alimentation en énergie et en gaz.

1.7 Utilisation prévue et domaine d'application

La série TRZ2 est prévue pour procéder à une mesure de volume admise à l'étalonnage.

La série Q convient à des mesures de volume non admises à l'étalonnage.

Les appareils conviennent à la mesure des fluides suivants :

- > gaz inflammables : gaz naturel / gaz de ville / propane / butane
- > gaz ininflammables : air / azote / gaz inertes
- > Autres domaines d'application / milieux, voir Annexe C – Liste des types de gaz ou sur demande

Ce produit n'est **pas** prévu

- > pour procéder à la mesure de gaz agressifs, comme les biogaz ou les gaz de digestion, l'oxygène, l'acétylène.

1.8 Déclarations légales

- > L'évaluation de conformité métrologique dépend des prescriptions du pays concerné dans lequel l'appareil de mesure est utilisé.
- > La durée de validité de l'étalonnage dépend des prescriptions du pays concerné dans lequel l'appareil de mesure est utilisé.
- >

1.9 Recyclage et protection de l'environnement

Honeywell a conçu les emballages destinés au transport des appareils de mesure dans le respect de l'environnement. Les matériaux d'emballage sont choisis de façon à ce qu'un recyclage soit possible. Les cartonnages utilisés sont des matières secondaires de l'industrie du carton et du papier. L'emballage mousse Instapak® est recyclable et récupérable.

Les feuilles et sangles sont également en plastique recyclable. Chez Honeywell, le recyclage ultérieur et la mise au rebut font partie intégrante de la conception du produit. Lors du choix des matériaux, la revalorisation des matériaux, la facilité de désassemblage et le tri des matériaux et des modules ont également été pris en compte, tout comme les problèmes liés à l'environnement et à la santé lors du recyclage et de la mise au rebut. Les appareils de mesure se composent en grande partie de matériaux métalliques pouvant être refondus dans des aciéries et des hauts-fourneaux et recyclés pour ainsi dire indéfiniment. Les matières plastiques utilisées figurent dans l'annexe B de manière à être préparées pour un tri et un fractionnement en vue d'un recyclage ultérieur.

L'huile fournie doit être éliminée comme toutes les huiles minérales (par ex. huile pour véhicules) conformément aux prescriptions relatives à la protection de l'environnement.

2. Configuration et fonctionnement

Principe de travail

Le gaz affluant dans le compteur entraîne la rotation de la roue de mesure, le nombre de tours étant proportionnelle au volume de service écoulé. Le débit de gaz entrant dans le compteur est accéléré par le redresseur spécialement conçu qui se trouve directement à l'entrée du compteur. Ce redresseur est conçu de telle manière qu'il élimine les influences sur le flux éventuelles comme les tourbillonnements ou un flux asymétrique. Pour des débits faibles, cela permet aussi une haute précision de mesure dans les limites d'erreur tolérées.

La vitesse de rotation de la roue de mesure tournant est démultipliée grâce à un engrenage. Un arbre de transmission relié à l'engrenage entraîne via un accouplement magnétique le totalisateur à rouleaux mécanique à 8 chiffres dans le module totalisateur sans pression. Après la roue de mesure, le gaz quitte le compteur par un canal de sortie à flux optimisé et conçu pour une récupération de pression maximale.

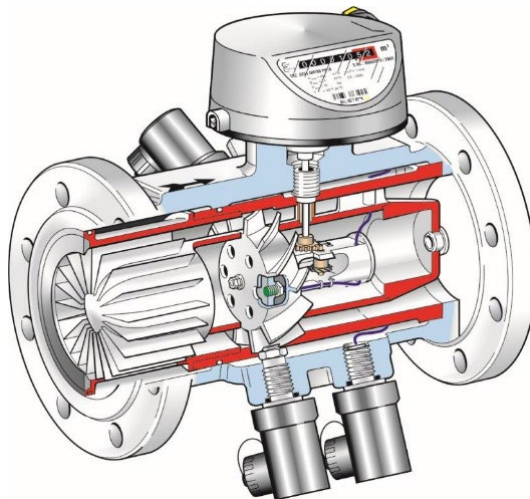


Fig. 1 | Vue en coupe compteurs de gaz à turbine

2.1 Description de l'appareil

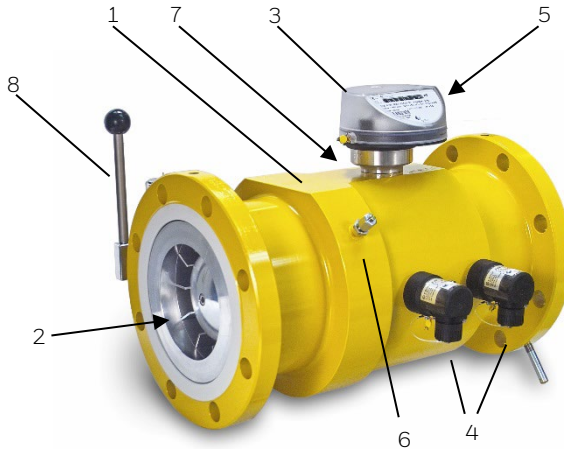


Fig. 2 | Compteur de gaz à turbine TRZ2

1	Corps du compteur	5	Émetteur d'impulsions BF (en option)
2	Cartouche de mesure	6	Prise de pression
3	Totalisateur	7	Prise(s) de température
4	Émetteur d'impulsions HF (en option)	8	Pompe à huile (en option)

Votre SAV Honeywell local se tient volontiers à votre disposition pour vous aider lors de la mise en service, de la maintenance et de l'installation d'encodeurs, d'émetteurs d'impulsions ou de convertisseurs de volume. Les réparations ne peuvent être effectuées que par des ateliers habilités.

2.2 Versions de totalisateurs

Le compteur peut être équipé de différentes versions de totalisateurs :

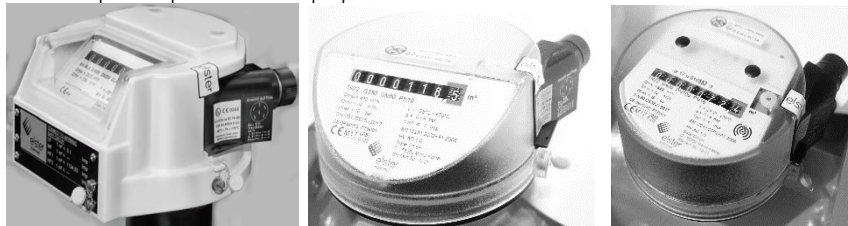
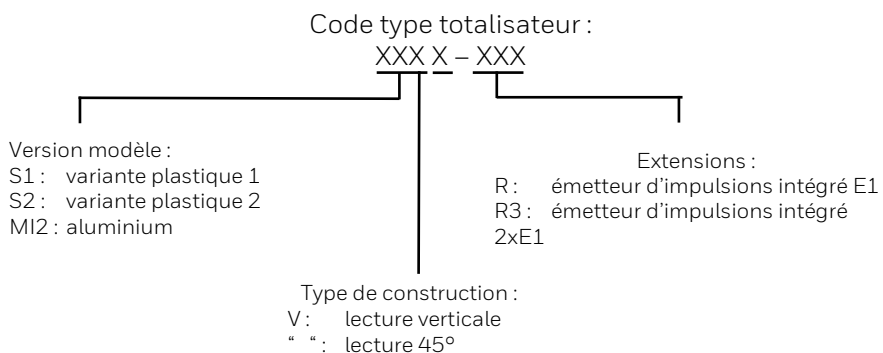


Fig. 3 | Exemple totalisateurs (à gauche : MI-2, au centre : S1, à droite : S1V)



Caractéristique :	S1	S1V	MI-2
Totalisateur à rouleaux mécanique à 8 chiffres	•	•	•
Totalisateur pouvant être tourné à 355°	•	•	•
Indice de protection IP67	•	•	•
Lecture 45°	•	-	•
Lecture verticale	-	•	•
Raccord pour émetteur d'impulsions ext. IN-Sxx/IN-Wxx	•	•	•
Émetteur d'impulsions S1xR int. contact Reed	-	•	-
Option : déshydrateur	-	-	•
Option : ENCODEUR	•	•	-

Tableau 1 | Aperçu des différentes versions de totalisateurs

2.3. Prises de température



Fig. 4 | Prises de température et de pression

Pour mesurer la température du gaz, des sondes de température peuvent être introduites dans un doigt de gant dans le corps du compteur. À cette fin, jusqu'à deux doigts de gant sont disponibles en option pour les compteurs à turbine (selon le calibre du compteur). Les quantomètres ne disposent pas de prises de température. Pour le nombre et le type de doigts de gant, voir le tableau suivant :

Ø maxi. capteur	TRZ2 DN	Matériau du boîtier	PN 10/16 EBL	PN 25/40 EBL	Class 150 EBL	Class 300 EBL	Class 600 EBL
6mm	TRZ2 Standard Line						
	80	GGG	27 (1x)	-	27 (1x)	-	-
	100	GGG	27 (1x)	-	27 (1x)	-	-
	150	GGG	27 (1x)	-	27 (1x)	-	-
	TRZ2 Premium Line						
	50	GGG/ST	-	-	-	-	-
	80	GGG	45 (2x)	-	45 (2x)	-	-
		ST	45 (2x)	45 (1x)	45 (2x)	45 (1x)	45 (1x)
	100	GGG	50 (2x)	-	50 (2x)	-	-
		ST	50 (2x)	50 (1x)	50 (2x)	50 (1x)	50 (1x)
	100/ 150	GGG	67 (2x)	-	67 (2x)	-	67 (2x)
		ST	67 (2x)	67 (2x)	67 (2x)	67 (2x)	67 (2x)
	150	GGG	50 (2x)	-	50 (2x)	-	-
		ST	50 (2x)	50 (2x)	50 (2x)	50 (2x)	50 (2x)

Tableau 2 | Sondes de température dans TRZ2

GGG = fonte à graphite sphéroïdal

ST = acier

EBL = longueur d'installation arrondie du doigt de gant en mm

Si le corps du compteur ne dispose pas de prises de température, les dispositifs de mesure de la température externe doivent être installés dans la conduite en aval du compteur de gaz à une distance pouvant atteindre 3 x DN, mais 600 mm maxi.

**INDICATION !**

- > *Sur les installations en plein air, le résultat de la mesure peut être influencé par la température ambiante.*
- > *Isoler les éléments de mesure à l'extérieur de la conduite contre les influences de température ambiante.*
- > *Afin d'atteindre une conduction thermique optimale, il est nécessaire de remplir le(s) doigt(s) de gant avec une pâte ou un fluide thermoconducteur.*

2.4 Prises de pression

Comme prise de pression, par exemple pour le raccordement d'un capteur de pression, un raccord union droit selon DIN 2353 doit être monté sur le corps du compteur. Il est identifié par pm/pr et configuré pour le raccordement de tubes en acier de Ø 6 mm selon la norme DIN EN 10305-1 (qualité d'acier E235 par ex.) ou de tubes à pression flexibles Honeywell.

**ATTENTION !**

- > *Danger lié à la sécurité de fonctionnement !*
- > *La sécurité de fonctionnement n'est garantie que lorsque les matériaux du composant de fixation et du tube sont compatibles.*
- > *Ne pas raccorder le raccord union droit à des tubes en acier inoxydable ou à des tubes en matériaux non ferreux.*

**INDICATION !**

- > *Utiliser uniquement des raccords vissés originaux Parker-Ermeto/ Voss*
- > *Nous vous recommandons de faire appel à notre SAV Honeywell local pour toute transformation ou installation d'appareils supplémentaires.*

3. Installation et mise en service

**INFORMATION !**

Vérifier le bordereau de livraison pour déterminer si vous avez reçu votre commande complète. Vérifier les plaques signalétiques pour déterminer si l'appareil livré est celui que vous avez commandé.

**INFORMATION !**

Vérifier soigneusement les emballages pour déceler un éventuel dommage ou signe d'une mauvaise manutention. Signaler les dommages éventuels auprès de l'expéditeur et du représentant du fabricant sur place.

**INFORMATION !**

La livraison ne comprend ni le matériel de montage ni les outils. Utiliser le matériel de montage et les outils conformément aux dispositions concernant la protection au travail et les prescriptions de sécurité.

3.1 Programme de livraison

- > Appareil de mesure commandé
- > Mode d'emploi
- > Documentation produit
- > Huile – Shell Risella 917, Shell Catenex T121 ou Klüber ISOFLEX PDP 38 (pour les compteurs graissés)
- > Accessoires en option selon la commande
- > Option : certificat de calibrage

3.2 Entreposage

- > Entreposer l'appareil dans un endroit sec à l'abri de la poussière.
- > Éviter une exposition directe prolongée aux rayons du soleil.
- > Entreposer l'appareil dans son emballage d'origine.
- > Température d'entreposage : -25 à +70 °C / -13 à +158 °F.

3.3 Transport

**INFORMATION !**

Ne pas soulever l'appareil de mesure sur le totalisateur.

3.4 Conditions avant l'installation

- Retirer les capuchons de protection et les feuilles.
- Contrôler le compteur et les accessoires en raison de dommages possibles causés par le transport.
- Contrôler la manœuvre libre de la roue de mesure en soufflant de l'air doucement.
- S'assurer que tous les outils nécessaires sont à votre disposition.
- Vérifier que vous disposiez de l'ensemble des accessoires (par ex. connecteurs, huile pour un premier remplissage).
- Joints conçus pour une utilisation avec votre fluide de service (exemples, voir tableau 4). Prêter également particulièrement attention aux critères de validité des autres normes, par ex. DIN EN 1591, Partie 1 – 4.

DN	d1 [mm]
50	62
80	100
100	125
150	178

Tableau 4 | Joints d'étanchéité adaptés

- Vis hexagonales et écrous pour brides selon DIN EN 1092-1

Matériau / classe de résistance		Limites d'utilisation	Normes
Vis	Écrou		
5.6	5	jusqu'à 40 bar jusqu'à -10 °C	DIN ISO 4014
8.8	8		DIN ISO 4032
CK 35	CK 35	jusqu'à 100 bar jusqu'à -10 °C	DIN 2510
25CrMo4	25CrMo4	jusqu'à 100 bar jusqu'à -25 °C	EN 10269

Tableau 5 | Vis adaptées

- Boulons filetés avec filetage continu pour brides selon ASME B 16.5

Matériau / classe de résistance		Limites d'utilisation	Normes
Vis	Écrou		
A 193 B6	A 194 Gr. 6	jusqu'à 100 bar / 0 °C jusqu'à 100 bar / -25 °C	ASME B 1.1
A 193 B7	A 194 Gr. 2H		

Tableau 6 | Boulons filetés adaptés

- D'autres matériaux équivalents peuvent également être utilisés.

3.5 Position de montage et sens d'écoulement

- Installer le compteur de gaz à turbine / le quantomètre de préférence en position horizontale avec le totalisateur en haut.
- Les positions d'installation / de service autorisées du compteur sont indiquées sur la plaque principale conformément aux désignations « H », « V » ou « H/V » (H = horizontale, V = verticale) présentées selon DIN EN 12261. Si, lors de la commande, la position de montage et la position de service ont été indiquées, cela signifie que tous les montages additionnels sont effectués en usine conformément à la position de montage.
- Une longueur minimale de conduite de $2 \times \text{DN}$ en amont est requise pour TRZ2 pour assurer une précision de mesure maximale. Sur TRZ2 DN 50, une conduite amont de $\geq 5 \times \text{DN}$ est requise.
- La conduite en amont doit être une longueur droite de même diamètre nominal que le compteur.
- La longueur de la conduite en aval est au moins égale à $1 \times \text{DN}$ du même diamètre nominal.

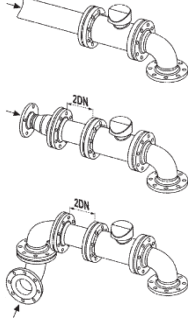
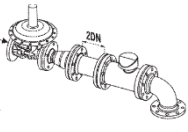
Perturbations du flux	Conduites amont typiques Éléments de conduite installés à une distance de $2D$ en amont de l'entrée du compteur	TRZ2	Q
Perturbations moindres <ul style="list-style-type: none"> - Coude simple - Coude double - Redresseur de flux 		$L \geq 2D$ pas de redresseur	$L \geq 5D$
Perturbations importantes <ul style="list-style-type: none"> - Régulateur de pression gaz - Autres éléments obturateurs 		$L \geq 2D$ pas de redresseur	$L \geq 5D$ L'utilisation d'un redresseur est recommandée

Tableau 7 | Conduites amont

3.6 Montage

**ATTENTION !**

Pour le montage des raccords à bride, veiller absolument à respecter les prescriptions de sécurité et de sécurité au travail locales.

**ATTENTION !**

Les monteurs de raccords à bride selon les critères de validité de la directive « équipement sous pression » doivent avoir une qualification adéquate (par ex. selon EN 1591-4).

**ATTENTION !**

Pour protéger le compteur, nous recommandons un tamis conique avec une largeur de maille de 250 μ m. Lors du montage du compteur en position verticale et dans le sens d'écoulement du fluide du bas vers le haut, un tamis doit être installé à l'entrée ainsi qu'à la sortie du compteur (protection contre les salissures susceptibles de retomber).

Retirer le tamis conique au bout de 4 à 6 semaines environ, le tamis saturé étant susceptible de bloquer le passage du flux.

- Lors du montage, veiller au sens d'écoulement qui est indiqué sur le totalisateur ou le corps du compteur.
- Lors d'un montage vertical ultérieur, la pompe à huile (s'il y en a une) doit être placée verticalement vers le haut. Si ce n'est pas le cas, vous devez tourner la pompe à huile et sa conduite de raccordement d'huile ainsi que les autres composants montés (par ex. convertisseur de volume) de 90° avant de procéder au montage du compteur.
- Placer les joints entre les brides de façon concentrique et veiller à ce qu'ils ne pénètrent pas dans le conduit de courant.
- Serrer le compteur à l'aide de vis conformément aux tableaux 5/6.
- S'assurer que le compteur est exempt de déformations.
- Monter les accessoires fournis.
- Il est recommandé de placer le compteur à l'abri des intempéries ou de monter une protection adéquate.

3.7 Mise en service initiale / remplissage d'huile



ATTENTION !

Avant la mise en service, les compteurs avec pompe à huile doivent bénéficier d'une lubrification initiale (> voir « Remplissage d'huile »).



ATTENTION !

Le réservoir doit être rempli avec de l'huile en temps utile afin que l'air ne pénètre pas dans la tuyauterie. N'utiliser que de l'huile neuve et propre. Le réservoir doit être refermé immédiatement après le remplissage afin d'éviter que des impuretés ou de l'eau n'y pénètrent.



INDICATION !

Il est possible d'utiliser d'autres huiles exemptes de résine et d'acide avec une viscosité d'env. 30 mm²/s à une température de 20 °C et un point de solidification inférieur à -30 °C ou des huiles équivalentes. Pour des gaz spéciaux comme le propane, le butane ou dans des conditions de service difficiles (service au débit maxi. ou gaz contaminés par ex.), l'intervalle entre deux lubrifications doit être réduit de moitié (tous les 1,5 à 2 mois).

Pour les compteurs de gaz sans pompe à huile, le point « Remplissage d'huile » peut être ignoré (continuer avec « Mise en service »).

Remplissage d'huile :

- > Ouvrir le couvercle du réservoir d'huile (voir fig. 5).
- > Remplir le réservoir d'huile avec l'huile fournie.
- > La quantité d'huile est suffisante lorsque le niveau d'huile est visible dans le tamis.
- > La pompe à huile doit être actionnée comme suit :

Tableau 8 | Mise en service initiale

Mise en service initiale		
Calibre de compteur :	Nombre de courses :	
	Pompe à huile avec levier (Premium Line)	Pompe à huile bouton-poussoir (Standard Line)
DN 50	3	6
DN 80 / DN 100	5	10
DN 150	7	14



Fig. 5 | Réservoir d'huile



Fig. 6 | Pompe à huile avec levier

- **i** Remplir lentement l'installation jusqu'à atteindre la pression de service.
- L'élévation de la pression ne doit pas dépasser 350 mbar/s.
- Pour le remplissage, il est nécessaire d'utiliser une conduite by-pass (recommandation : diamètre de la conduite 12 mm).
- Ne pas dépasser la plage de mesure du compteur de gaz, même pour un court instant !
- Un contrôle d'étanchéité doit être effectué à la fin !



Fig. 7 | Pompe à huile bouton-poussoir

4. Maintenance

i **INFORMATION !**
Les compteurs sans pompe à huile sont sans entretien.

! **INDICATION !**
Les compteurs avec pompe à huile doivent être lubrifiés tous les 3 à 4 mois. Pour des gaz spéciaux comme le propane, le butane ou dans des conditions de service difficiles (service au débit maxi. ou gaz contaminés par ex.), l'intervalle entre deux lubrifications doit être réduit de moitié (tous les 1,5 à 2 mois).

! **ATTENTION !**
Le réservoir doit être remplis avec de l'huile en temps utile afin que l'air ne pénètre pas dans la tuyauterie. N'utiliser que de l'huile neuve et propre. Le réservoir doit être refermé immédiatement après le remplissage afin d'éviter que des impuretés ou de l'eau n'y pénètrent.

! **INDICATION !**
Il est possible d'utiliser d'autres huiles exemptes de résine et d'acide avec une viscosité d'env. 30 mm²/s à une température de 20 °C et un point de solidification inférieur à -30 °C ou des huiles équivalentes.

- Avant d'actionner le levier/bouton-poussoir de la pompe à huile, le couvercle du réservoir doit être ouvert.
- Contrôle de la quantité d'huile : il doit y avoir suffisamment d'huile dans le réservoir. Le niveau d'huile doit être visible dans le tamis.
- Le compteur doit être en service, c'est-à-dire que la roue de mesure doit tourner.
- Actionner manuellement la pompe à huile suivant le tableau 9. Tirer le levier jusqu'à la butée avec une pression régulière ou actionner le bouton-poussoir jusqu'à la butée. Un actionnement correspond à une course de piston de la pompe.
- Après avoir actionné la pompe à huile, refermer le réservoir.

Instruction de maintenance		
Calibre de compteur :	Nombre de courses :	
	Pompe à huile avec levier (Premium Line)	Pompe à huile bouton-poussoir (Standard Line)
DN 50	2	4
DN 80 / DN 100	4	8
DN 150	6	12
Types d'huile		
Type d'huile :	Plage de température d'utilisation :	
Shell Catenex T 121	-10 °C à +70 °C	
Klüber ISOFLEX PDP 38	-25 °C à +70 °C	

Tableau 9 | Instruction de maintenance

4.1 Nettoyage



AVERTISSEMENT !

Danger dû à des décharges électrostatiques – utiliser uniquement un chiffon humide pour le nettoyage.



DANGER !

- *Risque d'explosion dû à des décharges électrostatiques.*
- *Un risque d'explosion existe en cas de nettoyage du capot en plastique du totalisateur à l'aide d'un chiffon sec.*
- *L'utilisation de produits de nettoyage chimiques agressifs ou de solvants pour le nettoyage est interdite.*
- *Utiliser uniquement de l'eau pour le nettoyage des pièces en matière plastique*

4.2 Réparation/désinstallation



DANGER!

Effectuer des opérations de maintenance uniquement lorsque la conduite de gaz est dépressurisée.



INFORMATION!

Les réparations ne peuvent être effectuées que par des ateliers habilités.

Mise hors service :



- Abaisser progressivement la pression de la conduite de gaz (350 mbar/s maxi.).
- Vérifier la pression nulle de la conduite de gaz.
- Desserrer les raccords et démonter le compteur.

4.3 Mise au rebut

Les compteurs de gaz à turbine se composent en grande partie de matériaux métalliques pouvant être refondus dans des aciéries et des hauts-fourneaux et recyclés pour ainsi dire indéfiniment. Les matières plastiques utilisées figurent dans l'annexe B de manière à être préparées pour un tri et un fractionnement en vue d'un recyclage ultérieur.

L'huile fournie doit être éliminée comme toutes les huiles minérales (par ex. huile pour véhicules) conformément aux prescriptions relatives à la protection de l'environnement.

5. Caractéristiques techniques

Type :	TRZ2	Q
Calibre	G65 à G1000	
Diamètre nominal	DN 50 à DN 150	
Pression de service	100 bar* maxi.	
Température du gaz	-25 °C à +70 °C**	
Matériau du boîtier	Fonte à graphite sphéroïdal ou acier	
Indice de protection	IP67	
Fluides de mesure	Gaz naturel et divers gaz filtrés et non corrosifs	
Classe de précision métrologique	1,0	-

Tableau 10 | Caractéristiques techniques

* Les indications de la plaque signalétique s'appliquent en fonction de la catégorie de pression.

** Limites de température différentes pour d'autres plages de mesure (données valides, voir la plaque signalétique)

Limites d'erreur

Limites maximales d'erreur tolérées selon la norme EN 12261

$\pm 1,0\%$ pour Q_t à Q_{max}

$\pm 2,0\%$ pour Q_{min} à Q_t

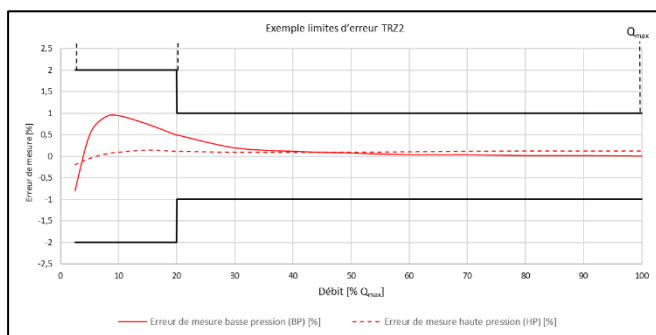


Fig. 8 | Limites d'erreur TRZ2

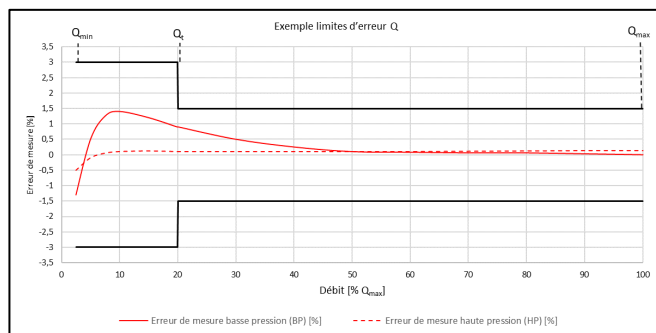


Fig. 9 | Limites d'erreur Q

5.1 Dimensions, poids et raccords

Puissances et dimensions TRZ2

TRZ2	Diamètre nominal	DN	50	80	80	80	80	100	100	100	100	150	150	150	150	
			65	100	160	250*	160	250	400*	250	400	650*	1000*			
Métrologie	Calibre de compteur	G	5	8	12,5	20	12,5	20	32	20	32	20	32	50	80	
	Plaque de mesure (1:20)	Q _{min}	100	160	250	400	250	400	650	400	650	1000	1000	1600	1600	
	Ap** à Q _{max}	[mbar]	1.1	2	5	12	2	5	13	1	2	6	15	15	15	
	Plaque de températures		-25 °C à +70 °C***													
Boîtier***	Catégories de pression		PN 10, 16, 25, 40, 64, 100 / ANSI 150, 300, 600													
	Dimensions	A [mm]	165	215	215	215	215	273	273	273	273	356	356	356	356	356
		B [mm]	155	172	172	172	172	185	185	185	185	210	210	210	210	210
		C [mm]	150	240	240	240	240	300	300	300	300	450	450	450	450	450
		D [mm]	75	100	100	100	100	120	120	120	120	180	180	180	180	180
		E [mm]	135	157	157	157	157	170	170	170	170	193	193	193	193	193
F [mm]	280	200	200	200	200	210	210	210	210	235	235	235	235	235		
Poids [kg]***	PN 10/16, ANSI 150	GGG	10	21	21	21	29	29	29	29	53	53	53	53	53	
Valeurs d'impulsion de sortie*** [imp./m³]	PN 25/40, ANSI 300	Acier	13	32	32	32	50	50	50	50	91	91	91	91	91	
	PN 64/100, ANSI 600	Acier	15	33	33	33	50	50	50	50	97	97	97	97	97	
	Type basse fréquence E1 (IN-Sxx)		10	1	1	1	1	1	1	1	1	1	1	1	1	
	Type haute fréquence A1R (P+F, NJJ)		28000	10500	10500	10500	6630	6630	6630	6630	6630	2560	2560	2560	2560	
	Type haute fréquence A1S (IFM, N9F)		-	21000	21000	21000	13260	13260	13260	13260	-	5120	5120	5120	5120	

* Les compteurs sont également disponibles dans la plage de mesure 1:30

** Δp pour gaz naturel à 1 bar absolu

*** Faibles écarts possibles

**** Limites de température différentes pour d'autres plages de mesure (données valides, voir la plaque signalétique)

Tableau 12 | Puissances et dimensions TRZ2

Puissances et dimensions Q

Q	Diamètre nominal	DN	50 / 2°	80 / 3°	80 / 3°	80 / 3°	100 / 4°	100 / 4°	DN 150 / 6°	DN 150 / 6°	DN 150 / 6°									
			Calibre de compteur	G	100	160	250	400	400	400	650	100								
Métrologie	Plage de mesure	Q _{min}	6	10	13	20	20	32	32	50	80									
		Q _{max}	100	160	250	400	400	650	650	1000	1600									
	Ap** à Q _{max}	[mbar]	12	2	5,3	13,6	58	13,1	2,6	6,5	168									
		-25 °C à +60 °C (Q _{min} ≠ 8 m³/h). -10 °C à 55 °C (Q _{min} = 8 m³/h)																		
Plage de températures																				
Plage de températures																				
Plage de températures																				
Catégories de pression																				
PN 10, 16, 25, 40, 64, 100 / ANSI 150, 300, 600																				
Boîtier***	A [mm]	GGG 40**	60/150	120	120	120	150	150	175/180	175/180	175/180									
		Acier	150	120	120	120	150	150	175/180	175/180	175/180									
	B [mm]	GGG 40**	Selon la classe de bride																	
	Acier*																			
	C [mm]	GGG 40**										75	52	52	52	57	57	76	76	76
	Acier*	75										52	52	52	57	57	73	73	73	
	D [mm]	GGG 40**										-	-	-	-	-	-	-	-	-
	Acier*	75										74	74	74	104	104	138	138	138	
	E [mm]	GGG 40**										-	-	-	-	-	-	-	-	-
	Acier*	198										185	185	217	217	260	260	260	260	
	F [mm]	GGG 40**										143	158	158	170	170	195	195	195	195
	Acier*	134										180	180	211	211	253	253	253	253	
H [mm]	GGG 40**	170										190	190	200	200	225	225	225	225	
Acier*	165	193										193	230	230	272	272	272	272		
Poids [kg]**	PN 10/16, ANSI 150	GGG 40	4	13	13	13	15	15	28	28	28									
		Acier	14	24	24	24	38	38	56	56	56									
		Acier	15	26	26	26	48	48	77	77	77									
Valeurs d'impulsion de sortie*** [Imp./m³]	PN 25/40, ANSI 300	Acier	16	27	27	27	53	53	96	96	96									
		PN 64/100, ANSI 600	10	1	1	1	1	1	1	1	1									
		Type basse fréquence E1 (IN-Sxx)	28000	10500	10500	10500	6630	6630	2560	2560	2560									
Type haute fréquence A1R (P+P, NJ)	PN 64/100, ANSI 600	Acier	-	-	-	-	-	-	-	-	-									
		Type haute fréquence A1S (IFM, N95000)	-	-	-	-	-	-	-	-	-									

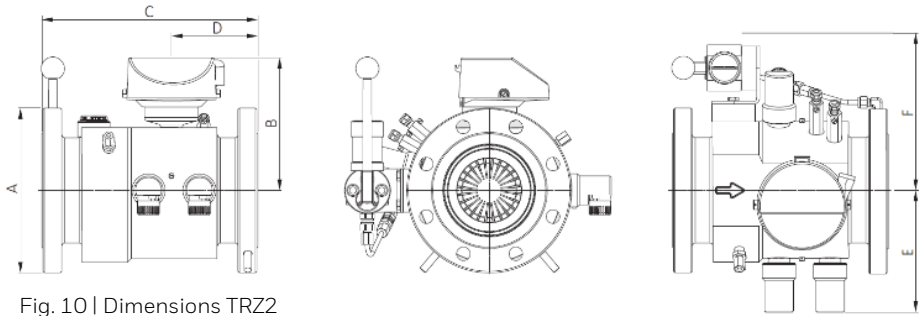
* Conception sandwich

** Aucune lubrification à l'huile possible

*** Faibles écarts possibles

Français

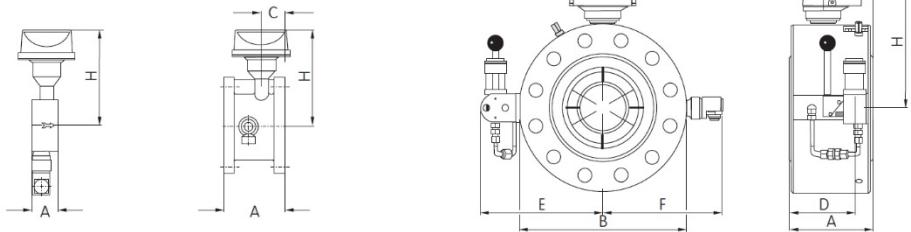
Dimensions TRZ2



Dimensions TRZ2

DN 50 (acier moulé) DN 80 – 150 (acier moulé)

DN 50 – 150 (acier)



5.2 Conditions ambiantes

Type :	TRZ2	Q
Température ambiante	-25 °C à +70 °C	
Température d'entreposage		
Humidité	0 à 80 % d'humidité relative	
Altitude maxi. NGF	2000 m	
Installation extérieure	Oui	
Environnements mécaniques	M1	

Tableau 14 | Conditions ambiantes

5.3 Homologies*

Homologation :	Numéro d'homologation :	Service d'homologation :
MID	TRZ2 : DE-09-MI002-PTB001	Physikalisch-Technische Bundesanstalt (PTB) Bundesallee 100 38116 Braunschweig Allemagne
PED	TRZ2 : CE0085BM0200 Q : CE0085BM0267	DVGW Cert GmbH Allemagne Josef-Wirmer-Straße 1-3 53123 Bonn
ATEX	Ⓔ II 2G Ex h IIC T4 Gb 8000310657	TÜV Nord AG Am TÜV 1 30519 Hannover Allemagne
IECEX	Ex h IIC T4 Gb IECEX TUR 16.0043x	TÜV Rheinland Industrieservice GmbH Am Grauen Stein 51105 Köln Allemagne

Tableau 15 | Homologies

Légende ATEX/IECEX :

- Ⓔ Marquage de protection contre les explosions
- II Groupe d'appareils : industrie (à l'exception de l'exploitation minière)
- 2 Catégorie d'appareils 2 (zone 1)
- G Zones à risque d'explosion de gaz
- h Type de protection : protection mécanique contre les explosions
- IIC Groupe d'explosion pour les gaz
- T4 Classe de température
- Gb Niveau de protection du matériel

* Le marquage sur l'appareil s'applique.

6. Annexe A – Documents normatifs

Les compteurs de gaz à turbine répondent aux documents normatifs ci-après* :

TRZ2	Q		
X		2014/32/UE – Annexe IV (MI-002)	Directive sur les instruments de mesure (MID)
X	X	2014/68/UE	Directive sur les équipements sous pression (PED)
X		DIN EN 12261:2018	Compteurs à gaz – Compteurs à gaz à turbine
X	X	ISO 80079-36:2016-02 DIN EN ISO 80079-36:2016-12	Atmosphères explosives – Partie 36 : Appareils non électriques destinés à être utilisés en atmosphères explosives – Méthodologie et exigences
X	X	ISO 80079-37:2016-02 DIN EN ISO 80079-37:2016-12	Atmosphères explosives – Partie 37 : Appareils non électriques destinés à être utilisés en atmosphères explosives – Mode de protection non électrique par sécurité de construction « c », par contrôle de la source d'inflammation « b », par immersion dans un liquide « k »

* Validité des différentes normes au moment de la mise sous presse du mode d'emploi.

7. Annexe B – Matières plastiques utilisées

Les matières plastiques suivantes sont utilisées dans le compteur de gaz à turbine :

Pièces en matière plastique	Symbole	Désignation chimique
Émetteur d'impulsions	PA 6.6	Polyamide
Engrenage complet	POM	Polyoxyméthylène
Roues dentées et petites pièces	POM	Polyoxyméthylène
Capot du compteur et totalisateur	PC	Polycarbonate
Partie inférieure du compteur	PPA	Polyphthalamide
Rouleaux chiffrés	PA 12 PPO	Polyamide Polyoxyphénylène

8. Annexe C – Liste des types de gaz

Fluide	Symbole	TRZ2	Q
Acétylène	C2H2	B1/B3	B1/B3
Ammoniac	NH3	-	-
Argon	Ar	X	X
Éthane	C2H6	B1	B1
Éthylène	C2H4	X	X
Gaz de pétrole liquéfié		B1	B1
Biogaz		-	-
Butane (gazeux)	C4H10	B1	B1
Chimie / Gaz de raffinerie		-	-
Gaz naturel, sec		X	X
Acide ou vapeur acétique		-	-
Gaz de fromage	N2, H2	X	X
Hélium	He	X	X
Isobutylène	C4H8	X	X
Gaz de cokerie		B2	B2
Acide carbonique, sec	CO ₂	X	X
Gaz de digestion, sec/humide		-	-
Monoxyde de carbone	CO	X	X
Air / air comprimé		B1	B1
Méthane	C2H4	X	X
Pentane	C5H12	X	X
Propane (gazeux)	C3H8	X	X
Oxygène	O2	-	-
Gaz de ville		X	X
Azote	N	X	X
Hydrogène	H2	X**	X**
Dioxyde de soufre	SO2	-	-
Sulfure d'hydrogène	H2S	-	-

Légende :

X Produit standard

(X) Possible avec durée de vie limitée

- Non disponible

B1 Avec pompe à huile (réservoir d'huile)

B2 Boîtier en acier

B3 $p_{\max} = 1,5$ bar

*Gaz sec seulement

** La précision métrologique est garantie jusqu'à 10 % d'hydrogène ajoutés au gaz naturel

Manual de instrucciones
Contadores de gas de turbina y cuantómetros
Modelos TRZ2 · Q



Índice

1. Indicaciones de seguridad	97
1.1 Uso previsto	98
1.2 Aprobaciones y certificación*.....	98
1.3 Derechos de autor y protección de datos.....	99
1.4 Exoneración de la responsabilidad	99
1.5 Responsabilidad de producto y garantía.....	100
1.6 Personal.....	100
1.7 Uso predeterminado y ámbito de aplicación.....	100
1.8 Declaraciones legales	100
1.9 Reciclado y protección del medio ambiente.....	101
2. Estructura y funcionamiento	102
2.1 Descripción del equipo.....	103
2.2 Versiones de totalizador	104
2.3. Puntos de medición de temperatura.....	105
2.4 Puntos de medición de presión	106
3. Instalación y puesta en funcionamiento.....	107
3.1 Componentes de suministro	107
3.2 Almacenamiento	107
3.3 Transporte	107
3.4 Requisitos previos a la instalación	108
3.5 Posición de montaje y sentido del flujo	109
3.6 Montaje.....	110
3.7 Primera puesta en servicio / Llenar con aceite	111
4. Mantenimiento.....	112
4.1 Limpieza	113
4.2 Reparación/Desinstalación	114
4.3 Eliminación de residuos	114
5. Datos técnicos	115
5.1 Dimensiones, pesos y conexiones	116
5.2 Condiciones ambientales	118
5.3 Aprobaciones*	119
6. Anexo A – Estándares y normas	120
7. Anexo B – Plásticos utilizados	120
8. Anexo C – Lista de tipos de gases	121

Información sobre la documentación

La versión más reciente del manual de instrucciones está disponible en la página de Internet de Honeywell para su descarga.

Para evitar lesiones del usuario o daños en el equipo es necesario que lea detenidamente la información contenida en la presente documentación. Además, se deben cumplir los estándares, disposiciones de seguridad y normativas sobre prevención de accidentes laborales en vigor a nivel nacional.

En el caso de que tuviera problemas para comprender el contenido del presente documento, dirijase para que le ayuden a la delegación local de Honeywell. Honeywell no puede responder de daños personales o materiales derivados de una mala comprensión de la información contenida en la presente documentación.

Este documento le ayuda a crear las condiciones de servicio de modo que esté garantizado el empleo eficiente y seguro del equipo. Por otra parte, en el documento se describen los puntos y medidas de seguridad a tener especialmente en cuenta y que aparecen en unión de los siguientes símbolos.



AVISO o PRECAUCIÓN

Este símbolo significa situaciones peligrosas. Hay que acatar las instrucciones; de lo contrario pueden surgir peligros para las personas y el medio ambiente, o el instrumento de medida puede experimentar daños.



INFORMACIÓN o NOTA

Cuando se ignore información o notas señaladas con este símbolo, no se podrá garantizar una medición exacta.

1. Indicaciones de seguridad



¡AVISO!

Peligro por descarga electrostática – utilizar solo un paño húmedo para limpiar.



¡AVISO!

Cuando exista el riesgo de que la caída de objetos (puntiagudos, afilados o pesados) pueda dañar el equipo, el operador está obligado a proteger el equipo.



¡AVISO!

Los riesgos que puedan provocar reacciones químicas entre elementos del instrumento de medida y las sustancias químicas presentes en el entorno deben ser aclarados con el fabricante y eliminados.



¡AVISO!

El instrumento de medida se ha de integrar en la conexión equipotencial a través de la tubería puesta a tierra.



¡AVISO!

Si desea mezclar con el gas odorizantes o emplear válvulas electromagnéticas, prever su aplicación aguas abajo del contador. En caso contrario se puede dañar el contador.



¡AVISO!

El gas no debe contener partículas en suspensión > 50 µm, y ha de estar seco. En caso contrario puede dañarse el contador.



¡INFORMACIÓN!

El flujo a través del contador debe estar libre de vibraciones y pulsaciones para evitar errores de medición.



¡INFORMACIÓN!

El mantenimiento de las condiciones de servicio y ambiente especificadas en la placa de características es una condición previa imprescindible para el funcionamiento seguro del contador y sus accesorios.

1.1 Uso previsto



¡PRECAUCIÓN!

La responsabilidad por el empleo del instrumento de medida en lo que respecta a idoneidad, uso conforme a lo previsto y resistencia a la corrosión de los materiales empleados con respecto a fluido medido recae exclusivamente en el operador.



¡INFORMACIÓN!

El fabricante no responde de los daños derivados de un uso inadecuado o no conforme a lo previsto.

1.2 Aprobaciones y certificación*

Marcado CE / Declaración UE de conformidad



El fabricante identifica la conformidad en la declaración UE de conformidad y colocando el marcado CE.

Este instrumento de medida cumple con los requisitos legales de las directivas UE correspondientes.

La declaración UE de conformidad contiene información completa sobre las directivas y normas UE aplicadas, así como los certificados homologados.

La declaración UE de conformidad está incluida en el suministro o se puede descargar en www.docuthek.com.

➤ **Para otras aprobaciones y directivas ver capítulo 5.3 Aprobaciones y Anexo A – Estándares y normas**

ATEX/IECEx



¡PELIGRO!

Los contadores de gas de turbina y cuantómetros son adecuados para el empleo en atmósferas potencialmente explosivas de la zona 1, y están aprobados conforme al certificado (IECEx) y la declaración del propio fabricante (ATEX) que se indican a continuación:

Ex II 2G Ex h IIC T4 Gb

IECEx TUR 16.0043x (IECEx)

TÜV Rheinland Industrieservice GmbH
Am Grauen Stein | 51105 Köln | Alemania

8000310657 (ATEX)

TÜV Nord AG
Am TÜV 1 | 30519 Hannover | Alemania

* Se aplica la indicación en el dispositivo.

1.3 Derechos de autor y protección de datos

Este documento ha sido elaborado con el máximo esmero. No obstante, no se asume garantía alguna por la exactitud, integridad y actualidad de los contenidos.

Los contenidos y obras en el presente documento están protegidos por los derechos de autor. Las contribuciones de terceros están identificadas como tales. La reproducción, adaptación, difusión y todo empleo fuera de los límites de los derechos de autor, requerirán el consentimiento escrito del autor respectivo o del fabricante. El fabricante se esfuerza por respetar siempre los derechos de autor de terceros, o recurrir a obras elaboradas por él mismo o exentas de licencia.

Advertimos sobre la posibilidad de que la transmisión de datos en Internet (p. ej. en comunicaciones por correo electrónico) pueda presentar lagunas de seguridad. No es posible una protección íntegra de los datos contra el acceso de terceros.

1.4 Exoneración de la responsabilidad

El fabricante no responde de los daños de cualquier naturaleza ocasionados por el uso del producto, incluidos, aunque no solo, los daños directos, indirectos y que surjan de forma casual, así como daños secundarios.

Esta exoneración de la responsabilidad no se aplicará cuando el fabricante hubiera actuado con premeditación o mediante una negligencia grave. En el caso de que en virtud de una ley en vigor no se admitieran semejantes limitaciones del saneamiento tácito o la exclusión, en su caso limitación, de determinadas indemnizaciones de daños y perjuicios, y este derecho le fuera aplicable, podrán ser total o parcialmente nulas para usted la exoneración de responsabilidad y las exclusiones o limitaciones anteriores.

Para cada producto adquirido, la garantía será válida conforme a la documentación del producto correspondiente, así como las condiciones de venta y suministro del fabricante.

El fabricante se reserva el derecho a modificar sin previo aviso, no importa cual fuere la causa, de cualquier modo y en todo momento, el contenido de los documentos, incluida la presente exoneración de responsabilidad, y no responderá en modo alguno de las posibles consecuencias de modificaciones semejantes.

1.5 Responsabilidad de producto y garantía

La idoneidad de los instrumentos de medida para el uso previsto respectivo es responsabilidad del operador. El fabricante no asume ninguna responsabilidad por las consecuencias de un uso inadecuado por parte del operador. La instalación o el manejo inadecuados de los instrumentos (sistemas) de medida conlleva la pérdida de la garantía. Además, son aplicables las “Condiciones generales de contrato” respectivas que constituyen el fundamento del contrato de compraventa.

1.6 Personal

Estas **instrucciones están dirigidas a un personal** que, por su formación y experiencia en el campo del suministro de gas y energía, dispone de suficientes conocimientos técnicos y especiales (p. ej., en Alemania, según las hojas de trabajo 492 y 495 de la DVGW (Asociación alemana de profesionales del agua y el gas) u otras reglas técnicas equiparables).

1.7 Uso predeterminado y ámbito de aplicación

La serie TRZ2 está prevista para la medición volumétrica calibrable.
La serie Q está prevista para la medición volumétrica no calibrable.
Los dispositivos son adecuados para la medición de los siguientes fluidos:

- Gases combustibles: gas natural / gas ciudad / propano / butano
- Gases no combustibles: aire / nitrógeno / gases nobles
- Otros campos de aplicación o fluidos, ver anexo C – Lista de tipos de gases o bajo demanda.

Este producto **no** está previsto para

- la medición de gases agresivos, p. ej. biogás o gas de clarificación, oxígeno, acetileno.

1.8 Declaraciones legales

- La evaluación de la conformidad metrológica se rige por las normas del país en el que se utilice el instrumento de medida.
- La vigencia de la calibración se rige por las normas del país en el que se utilice el instrumento de medida.

1.9 Reciclado y protección del medio ambiente

Honeywell ha diseñado los embalajes para el transporte de los instrumentos de medida de forma respetuosa con el medio ambiente. En la selección se tiene en cuenta consecuentemente su posible reciclaje. Los cartonajes utilizados son materias primas secundarias de la industria del papel y el cartón. El embalaje de espuma Instapak® es reciclable y reutilizable.

Las láminas y las cintas también son de plástico reciclable. En Honeywell el posterior reciclaje y la eliminación ya forman parte del desarrollo del producto. En la elección de los materiales de fabricación se tiene en cuenta la posibilidad de reutilización de las sustancias, la posibilidad de desmontaje y separación de los materiales y de los módulos de construcción, así como los peligros para el medio ambiente y la salud en el proceso de reciclaje y eliminación. Los instrumentos de medida están compuestos en su mayor parte por materiales metálicos, los cuales se pueden volver a fundir en las acerías y plantas siderúrgicas, siendo así reutilizables de forma casi ilimitada. Los plásticos utilizados figuran relacionados en el Anexo B, de manera que ya están preparados para la selección y el fraccionamiento para el posterior reciclaje.

El aceite que se adjunta debe ser eliminado de forma respetuosa con el medio ambiente, igual que todos los demás aceites minerales (p. ej. el aceite para automóviles).

2. Estructura y funcionamiento

Principio de trabajo

El gas que entra en el contador pone en rotación la turbina, con un número de revoluciones proporcional al volumen de servicio en circulación. La corriente de gas que entra en el contador se acelera por medio de un enderezador construido especialmente, que se encuentra justo a la entrada del contador. Este enderezador está dimensionado de forma que se eliminan las influencias del flujo, como remolinos o flujo asimétrico. Así se permite también con caudales reducidos una gran precisión de medida dentro de los límites de error admisibles.

El número de revoluciones de la turbina en rotación se desmultiplica por medio de un engranaje. Un árbol de transmisión unido al engranaje impulsa el totalizador mecánico de 8 dígitos por tambores de cifras al cabezal totalizador sin presión por medio de un acoplamiento magnético. Aguas abajo de la turbina, el gas sale del contador por un conducto de salida de flujo optimizado que está dimensionado para la recuperación de presión máxima.

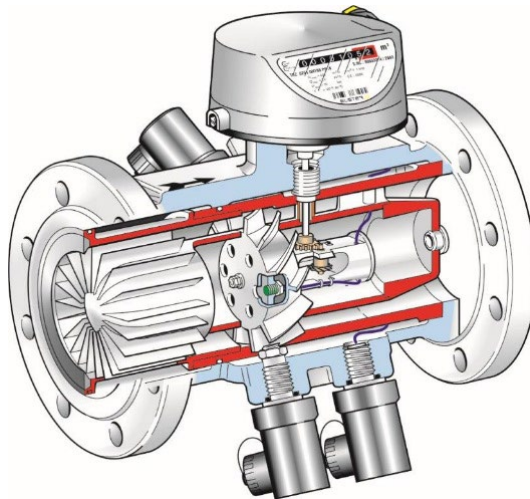


Fig. 1 | Vista en sección del contador de gas de turbina

2.1 Descripción del equipo

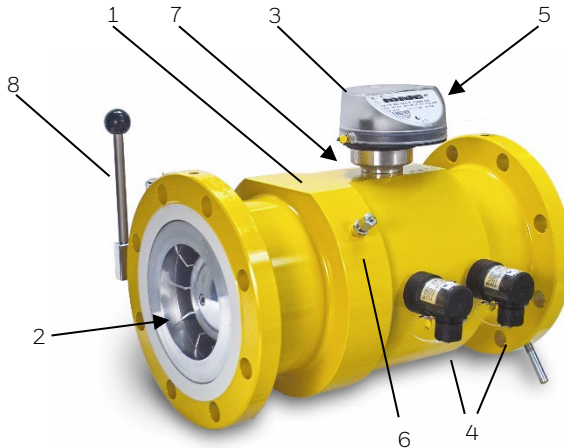


Fig. 2 | Contador de gas de turbina TRZ2

1	Cuerpo del contador	5	Emisor de impulsos de BF (opcional)
2	Cartucho de medición	6	Punto de medición de presión
3	Cabezal totalizador	7	Punto(s) de medición de temperatura
4	Emisor de impulsos de AF (opcional)	8	Bomba de aceite (opcional)

Su servicio técnico local de Honeywell está con mucho gusto a su disposición para ayudarle en la puesta en servicio y el mantenimiento, así como en la instalación, p.ej. de totalizadores ENCODER, emisores de impulsos o convertidores de volumen. Las reparaciones únicamente pueden ser ejecutadas por talleres autorizados.

2.2 Versiones de totalizador

El contador puede estar equipado con diferentes versiones de totalizador:

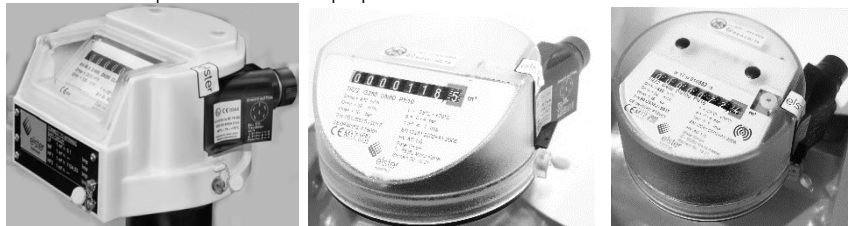


Fig. 3 | Ejemplo de cabezales totalizadores (izquierda: MI-2, centro: S1, derecha: S1V)

Código tipo del cabezal totalizador:

XXX X - XXX

Versión del modelo:

- S1: variante de plástico 1
- S2: variante de plástico 2
- MI2: aluminio

Ampliaciones:

- R: emisor de impulsos integrado E1
- R3: emisor de impulsos integrado 2xE1

Tipo de construcción:

- V: lectura vertical
- " ": lectura de 45°

Propiedad:	S1	S1V	MI-2
Totalizador mecánico de 8 dígitos por tambores de cifras	•	•	•
Cabezal totalizador giratorio en 355°	•	•	•
Clase de protección IP67	•	•	•
Lectura de 45°	•	-	•
Lectura vertical	-	•	•
Conexión para emisor de impulsos ext. IN-Sxx/IN-Wxx	•	•	•
Emisor de impulsos S1xR contacto Reed int.	-	•	-
Opcional: cartucho desecante	-	-	•
Opcional: totalizador ENCODER	•	•	-

Tabla 1 | Vista general de las diversas versiones de totalizador

2.3. Puntos de medición de temperatura



Fig. 4 | Puntos de medición de la temperatura y la presión

Para la medición de la temperatura del gas se pueden introducir sensores de temperatura en una vaina de sensor de temperatura en el cuerpo del contador de gas. Para ello están disponibles opcionalmente (en función del tamaño del contador) hasta dos vainas de sensor de temperatura. En el caso de cuantómetros no están previstos puntos de medición de temperatura. La cantidad y realización de las vainas de sensor de temperatura se indican en la tabla siguiente:

Ø máx. sensor	TRZ2 DN	Material del cuerpo	PN 10/16 EBL	PN 25/40 EBL	Class 150 EBL	Class 300 EBL	Class 600 EBL
6mm	TRZ2 Standard Line						
	80	GGG	27 (1x)	-	27 (1x)	-	-
	100	GGG	27 (1x)	-	27 (1x)	-	-
	150	GGG	27 (1x)	-	27 (1x)	-	-
	TRZ2 Premium Line						
	50	GGG/ST	-	-	-	-	-
	80	GGG	45 (2x)	-	45 (2x)	-	-
		ST	45 (2x)	45 (1x)	45 (2x)	45 (1x)	45 (1x)
	100	GGG	50 (2x)	-	50 (2x)	-	-
		ST	50 (2x)	50 (1x)	50 (2x)	50 (1x)	50 (1x)
	100/ 150	GGG	67 (2x)	-	67 (2x)	-	67 (2x)
		ST	67 (2x)	67 (2x)	67 (2x)	67 (2x)	67 (2x)
	150	GGG	50 (2x)	-	50 (2x)	-	-
ST		50 (2x)	50 (2x)	50 (2x)	50 (2x)	50 (2x)	

Tabla 2 | Sensores de temperatura del TRZ2

GGG = fundición dúctil

ST = acero

EBL = longitud de montaje redondeada de la vaina del sensor de temperatura en mm

Si no se han previsto puntos de medición de temperatura en el cuerpo del contador, se tendrá que disponer mediciones de la temperatura externas en la tubería, aguas abajo del contador de gas, a una distancia de hasta $3 \times DN$, pero como máximo a 600 mm.

**¡NOTA!**

- > *En instalaciones de medición al aire libre la temperatura ambiente puede influir sobre el resultado de la medición.*
- > *Aislar los elementos de medición fuera de la tubería suficientemente contra la influencia de la temperatura ambiente.*
- > *Para lograr una óptima conducción calorífica, se deberá llenar la vaina o las vainas del sensor de temperatura con un líquido o una pasta que conduzca el calor.*

2.4 Puntos de medición de presión

Como punto de medición de presión, p. ej. para la conexión de un sensor de presión, está previsto en el cuerpo del contador un “racor roscado recto” según DIN 2353, que está marcado con pm/pr y dispuesto para la conexión de tubos de acero $\varnothing 6$ mm según DIN EN 10305-1 (p. ej. clase de acero E235) o tubos de presión flexibles de Honeywell.

**¡PRECAUCIÓN!**

- > *¡Riesgo para la seguridad de funcionamiento!*
- > *La seguridad de funcionamiento solo está garantizada cuando están adaptados entre sí los pares de materiales del componente de atornillamiento y del tubo.*
- > *No conectar el racor roscado recto con tubos de acero inoxidable o con tubos de materiales no féreos.*

**¡NOTA!**

- > *Utilizar únicamente racores roscados de tubo originales de Parker-Ermeto/ Voss.*
- > *Le recomendamos nuestro servicio técnico local de Honeywell para realizar modificaciones o instalaciones de aparatos adicionales.*

3. Instalación y puesta en funcionamiento



¡INFORMACIÓN!

Comprobar la lista de embalaje para determinar si ha recibido su pedido completo. Comprobar en las placas de características si el equipo suministrado se corresponde con su pedido.



¡INFORMACIÓN!

Comprobar minuciosamente el embalaje por si presenta daños o indicios de una manipulación inadecuada. Notificar en su caso los daños al transportista y al representante local del fabricante.



¡INFORMACIÓN!

El material de montaje y las herramientas no forman parte del material suministrado. Utilizar material de montaje y herramientas de acuerdo con las normas de protección laboral y de seguridad.

3.1 Componentes de suministro

- > Instrumento de medida pedido
- > Manual de instrucciones
- > Documentación del producto
- > Aceite: Shell Risella 917, Shell Catenex T121 o Klüber ISOFLEX PDP 38 (en contadores lubricados por aceite)
- > Accesorios opcionales según pedido
- > Opcional: certificado de calibración

3.2 Almacenamiento

- > Almacenar el equipo en un lugar seco y sin polvo.
- > Evitar la exposición directa al sol permanente.
- > Almacenar el equipo en su embalaje original.
- > Temperatura de almacenamiento: -25 hasta +70 °C / -13 hasta +158 °F.

3.3 Transporte



¡INFORMACIÓN!

No levantar el instrumento de medida por el cabezal totalizador.

3.4 Requisitos previos a la instalación

- Retirar las tapas protectoras y láminas.
- Comprobar los posibles daños de transporte en el contador y los accesorios.
- Comprobar el funcionamiento suave de la turbina por soplado ligero con aire.
- Asegurarse de que dispone de todas las herramientas necesarias.
- Comprobar que están completos todos los accesorios (p. ej. conectores, aceite para la primera carga).
- Juntas que sean adecuadas para el empleo con su fluido de servicio (ver ejemplos en la tabla 4). Tener también en cuenta sobre todo si entran en campo de aplicación de otras normas, p. ej. DIN EN 1591, partes 1 – 4.

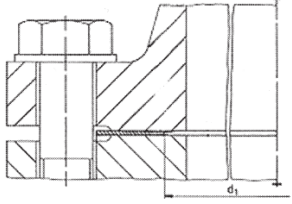
	DN	d1 [mm]	Son adecuadas, entre otras: - juntas planas - juntas espirales - juntas con perfil de cresta
	50	62	
	80	100	
	100	125	
	150	178	

Tabla 4 | Juntas adecuadas

- Tornillos hexagonales y tuercas para bridas según DIN EN 1092-1

Material/clase de resistencia		Límites de utilización	Normas
Tornillo	Tuerca		
5.6	5	hasta 40 bar hasta -10 °C	DIN ISO 4014
8.8	8		DIN ISO 4032
CK 35	CK 35	hasta 100 bar hasta -10 °C	DIN 2510
25CrMo4	25CrMo4	hasta 100 bar hasta -25 °C	EN 10269

Tabla 5 | Tornillos adecuados

- Pernos roscados con rosca pasante para bridas según ASME B 16.5

Material/clase de resistencia		Límites de utilización	Normas
Tornillo	Tuerca		
A 193 B6	A 194 Gr. 6	hasta 100 bar / 0 °C	ASME B 1.1
A 193 B7	A 194 Gr. 2H	hasta 100 bar / - 25 °C	

Tabla 6 | Pernos roscados adecuados

- También se pueden utilizar otros materiales equivalentes.

3.5 Posición de montaje y sentido del flujo

- Instalar el contador de gas de turbina / el cuantómetro preferentemente en posición horizontal con el totalizador arriba.
- Las posiciones de montaje/funcionamiento permisibles del contador están indicadas de acuerdo con las denominaciones “H”, “V” o “H/V” (H = horizontal, V = vertical) según DIN EN 12261 en la placa principal. Si con el pedido se indicó la posición de montaje o de funcionamiento, todos los elementos adicionales se montarán en fábrica de acuerdo con esa posición de montaje.
- Por motivos de precisión de medida es necesario que la longitud del tramo de entrada en TRZ2 sea por lo menos dos veces el diámetro nominal. Con TRZ2 DN 50 es necesario un tramo de entrada $\geq 5 \times \text{DN}$.
- El tramo de entrada debe estar realizado con un tramo de tubo recto del mismo diámetro nominal que el contador.
- La longitud del tramo de salida es al menos $1 \times \text{DN}$ del mismo diámetro nominal.

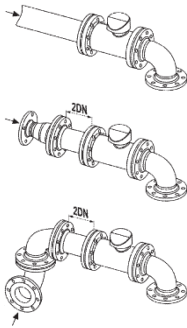
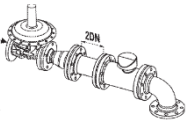
Perturbaciones del flujo	Tramos de entrada típicos Instalación de piezas de tubería en una distancia de 2D a la entrada del contador	TRZ2	Q
Pequeñas perturbaciones <ul style="list-style-type: none"> - codos sencillos - codos dobles - difusores 		$L \geq 2D$ ningún enderezador	$L \geq 5D$
Grandes perturbaciones <ul style="list-style-type: none"> - regulador de presión del gas - otros dispositivos reductores 		$L \geq 2D$ ningún enderezador	$L \geq 5D$ se recomienda enderezador

Tabla 7 | Tramos de entrada

3.6 Montaje

**¡PRECAUCIÓN!**

Para el montaje de uniones por bridas es absolutamente necesario que tenga en cuenta las normas de seguridad en general y de seguridad laboral vigentes en su localidad.

**¡PRECAUCIÓN!**

Los montadores de uniones por bridas en el campo de vigencia de la Directiva de equipos a presión han de tener una cualificación adecuada (p. ej. según EN 1591-4).

**¡PRECAUCIÓN!**

Para proteger el contador recomendamos un tamiz cónico con un tamaño de malla de 250 μ m. En caso de que la posición de montaje sea vertical y el flujo pase de abajo hacia arriba, se debe montar un tamiz en la entrada y uno en la salida del contador (protección contra partículas de suciedad que puedan volver a caer).

Retirar de nuevo el tamiz cónico al cabo de aprox. 4 – 6 semanas porque es posible que tras ese tiempo esté saturado y pueda causar por lo tanto un impedimento para el flujo.

- Tener en cuenta también en el montaje el sentido de flujo que está indicada en el cabezal totalizador o el cuerpo del contador.
- En caso de posterior montaje vertical, la bomba de aceite (si existe) también deberá estar vertical hacia arriba. Si no fuera así, antes de montar el contador, deberá girar 90° la bomba de aceite y su tubería de conexión de aceite, así como posiblemente otros elementos adicionales, p. ej. el convertidor de volumen.
- Colocar las juntas concéntricamente entre las bridas, teniendo cuidado de que no sobresalgan dentro del canal de flujo.
- Apretar el contador con tornillos según la tabla 5 o 6.
- Prestar atención a que el contador esté orientado sin tensión.
- Montar los accesorios incluidos en el suministro.
- Se recomienda instalar el contador al abrigo de la intemperie o montar una protección adecuada.

3.7 Primera puesta en servicio / Llenar con aceite



¡PRECAUCIÓN!

Antes de la puesta en servicio se ha de lubricar por primera vez el contador con una bomba de aceite (> ver “Llenar con aceite”).



¡PRECAUCIÓN!

Llenar el depósito con aceite a su debido tiempo, para que no penetre aire en el sistema de tuberías. Utilizar solo aceite fresco y limpio. El depósito de aceite se ha de cerrar firmemente después del llenado, para que no pueda entrar suciedad o agua.



¡NOTA!

También se pueden utilizar otros aceites libres de resina y de ácido, con una viscosidad de aprox. 30 mm²/s a 20 °C, punto de solidificación inferior a -30 °C, o aceites de calidad equivalente. Con gases especiales, p. ej. propano o butano, o en condiciones de servicio difíciles (p. ej. régimen de carga máxima o gases contaminados), los intervalos de lubricación se tienen que reducir a la mitad (cada 1,5 – 2 meses).

En contadores de gas sin bomba de aceite se puede omitir el punto “Llenar con aceite” (continuar a “Puesta en servicio”).

Llenar con aceite:

- > Abrir la tapa del depósito de aceite (ver fig. 5).
- > Llenar el depósito con el aceite que se adjunta al suministro.
- > La cantidad de aceite es suficiente cuando el nivel de aceite se puede ver en el tamiz filtrante.
- > La bomba de aceite ha de accionarse del modo siguiente:



Fig. 5 | Depósito de aceite

Español

Primera puesta en servicio		
Tamaño del contador:	Número de emboladas:	
	Bomba de aceite con palanca (Premium Line)	Bomba de aceite de botón pulsador (Standard Line)
DN 50	3	6
DN 80 / DN 100	5	10
DN 150	7	14

Tabla 8 | Primera puesta en servicio



Fig. 6 | Bomba de aceite con palanca

Puesta en servicio:

- **i** Llenar la instalación lentamente hasta alcanzar la presión de servicio.
- El incremento de la presión no debe superar los 350 mbar/s.
- Para el llenado se debería utilizar también una tubería de bypass (recomendación: 12 mm de diámetro del tubo).
- ¡No sobrepasar el rango de medición del contador, ni siquiera a corto plazo!
- A continuación debe realizarse una prueba de estanquidad.



Fig. 7 | Bomba de aceite de botón pulsador

4. Mantenimiento

- i** **¡INFORMACIÓN!**
Los contadores sin bomba de aceite están libres de mantenimiento.
- !** **¡NOTA!**
Los contadores con bomba de aceite se tienen que lubricar en intervalos de 3 a 4 meses. Con gases especiales, p. ej. propano o butano, o en condiciones de servicio difíciles (p. ej. régimen de carga máxima o gases contaminados), los intervalos de lubricación se tienen que reducir a la mitad (cada 1,5 – 2 meses).
- !** **¡PRECAUCIÓN!**
Llenar el depósito con aceite a su debido tiempo, para que no penetre aire en el sistema de tuberías. Utilizar solo aceite fresco y limpio. El depósito de aceite se ha de cerrar firmemente después del llenado, para que no pueda entrar suciedad o agua.
- !** **¡NOTA!**
También se pueden utilizar otros aceites libres de resina y de ácido, con una viscosidad de aprox. 30 mm²/s a 20 °C, punto de solidificación inferior a -30 °C, o aceites de calidad equivalente.

- Antes de accionar la palanca manual o el botón pulsador de la bomba de aceite, debe abrir la tapa del depósito de aceite.
- Control de la cantidad de aceite: en el depósito de aceite debe haber suficiente aceite. El nivel de aceite debe ser visible en el tamiz filtrante.
- El contador debe estar en servicio, es decir la turbina debe girar.
- Accionar la bomba de aceite a mano según la tabla 9. Tirar de la palanca manual uniformemente hasta el tope o accionar el botón pulsador completamente hasta el tope. Un accionamiento equivale a un recorrido del émbolo de la bomba.
- Después del accionamiento de la bomba, debe cerrar de nuevo firmemente el depósito de aceite.

Indicaciones sobre el mantenimiento		
Tamaño del contador:	Número de emboladas:	
	Bomba de aceite con palanca (Premium Line)	Bomba de aceite de botón pulsador (Standard Line)
DN 50	2	4
DN 80 / DN 100	4	8
DN 150	6	12

Clases de aceite	
Clase de aceite:	Gama de temperaturas de uso:
Shell Catenex T 121	-10 °C hasta +70 °C
Klüber ISOFLEX PDP 38	-25 °C hasta +70 °C

Tabla 9 | Indicaciones sobre el mantenimiento

4.1 Limpieza



¡AVISO!

Peligro por descarga electrostática – utilizar solo un paño húmedo para limpiar.



¡PELIGRO!

- *Peligro de explosión por descarga electrostática.*
- *Existe peligro de explosión cuando la tapa de plástico del totalizador se limpie con un paño seco.*
- *Está prohibido el uso de productos de limpieza o disolventes químicos agresivos para la limpieza.*
- *Para limpiar las piezas de plástico solo debe utilizarse agua.*

4.2 Reparación/Desinstalación



¡PELIGRO!

Realizar trabajos de mantenimiento únicamente con la tubería sin presión.



¡INFORMACIÓN!

Las reparaciones únicamente pueden ser ejecutadas por talleres autorizados.

Puesta fuera de servicio:



- Reducir lentamente la presión de la tubería del gas (máx. 350 mbar/s).
- Comprobar que no hay presión en la tubería del gas.
- Soltar las uniones roscadas y desmontar el contador.

4.3 Eliminación de residuos

Los contadores de gas de turbina están compuestos en su mayor parte por materiales metálicos, los cuales se pueden volver a fundir en las acerías y plantas siderúrgicas, siendo así reutilizables de forma casi ilimitada. Los plásticos utilizados figuran relacionados en el Anexo B, de manera que ya están preparados para la selección y el fraccionamiento para el posterior reciclaje.

El aceite que se adjunta debe ser eliminado de forma respetuosa con el medio ambiente, igual que todos los demás aceites minerales (p. ej. el aceite para automóviles).

5. Datos técnicos

Modelo:	TRZ2	Q
Tamaño	G65 – G1000	
Diámetro nominal	DN 50 hasta DN 150	
Presión de servicio	Máx. 100 bar*	
Temperatura del gas	-25 °C hasta +70 °C**	
Material del cuerpo	Fundición dúctil o acero	
Clase de protección	IP67	
Fluidos de medición	Gas natural y diversos gases filtrados, no corrosivos	
Clase de exactitud metrológica	1,0	-

Tabla 10 | Datos técnicos

* Es válida la indicación de la placa de características según la clase de presión.

** Límites de temperatura diferentes para otros rangos de medición (ver datos válidos en la placa de características)

Límites de error

Límites de error máximos admisibles según EN 12261

$\pm 1,0\%$ para Q_t hasta $Q_{m\acute{a}x}$

$\pm 2,0\%$ para $Q_{m\acute{i}n}$ hasta Q_t

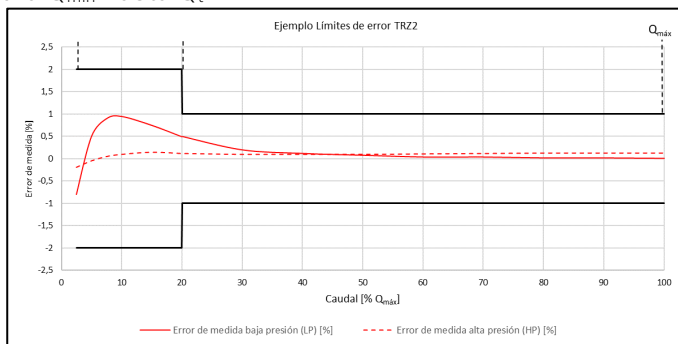


Fig. 8 | Límites de error TRZ2

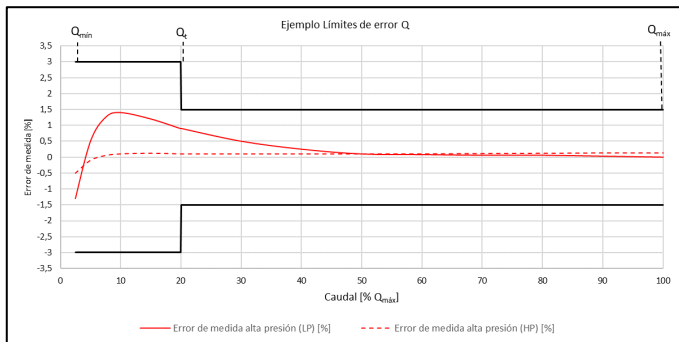


Fig. 9 | Límites de error Q

5.1 Dimensiones, pesos y conexiones

Datos de potencia y dimensiones TRZ2

TRZ2	Diámetro nominal	DN	50	80	80	80	100	100	100	100	100	150	150	150	150	150	150	150
	Tamaño del contador	G	65	100	160	250*	160	250	400*	250	400*	250	400	650*	1000*	1000*	1000*	1000*
Técnica de medición	Rango de medición (1..20)	Q _{min}	5	8	12.5	20	12.5	20	32	20	32	20	32	50	80	80	80	80
	Ap** con Q _{max}	Q _{max}	100	160	250	400	250	400	650	400	650	400	650	1000	1600	1600	1600	1600
	Ap** con Q _{max}	[mbar]	11	2	5	12	2	5	13	1	2	1	2	6	15	15	15	15
	Gama de temperaturas		-25 °C hasta +70 °C**															
	Clases de presión		PN 10, 16, 25, 40, 64, 100 / ANSI 150, 300, 600															
Cuerpo***	Dimensiones	A [mm]	165	215	215	215	273	273	273	273	273	356	356	356	356	356	356	356
		B [mm]	155	172	172	172	185	185	185	185	185	210	210	210	210	210	210	210
		C [mm]	150	240	240	240	300	300	300	300	300	450	450	450	450	450	450	450
		D [mm]	75	100	100	100	120	120	120	120	120	180	180	180	180	180	180	180
		E [mm]	135	157	157	157	170	170	170	170	170	193	193	193	193	193	193	193
		F [mm]	280	200	200	200	210	210	210	210	210	235	235	235	235	235	235	235
Peso [kg]***	PN 10/16, ANSI 150	GGG	10	21	21	21	29	29	29	29	53	53	53	53	53	53	53	
	PN 25/40, ANSI 300	Acero	13	32	32	32	50	50	50	91	91	91	91	91	91	91		
	PN 64/100, ANSI 600	Acero	15	33	33	33	50	50	50	97	97	97	97	97	97	97		
Salidas valores de los impulsos*** [imp/m³]	Tipo de BF E1 (IN-Sxx)		10	1	1	1	1	1	1	1	1	1	1	1	1	1	1	
	Tipo de AF A1R (P+F, NJ)		28000	10500	10500	10500	6630	6630	6630	6630	6630	6630	6630	6630	6630	6630	6630	
	Tipo de AF A1S (IFM, N95000)		-	21000	21000	21000	13260	13260	13260	13260	13260	13260	13260	13260	13260	13260	13260	

* El contador se puede suministrar también en el rango de medición 1:30

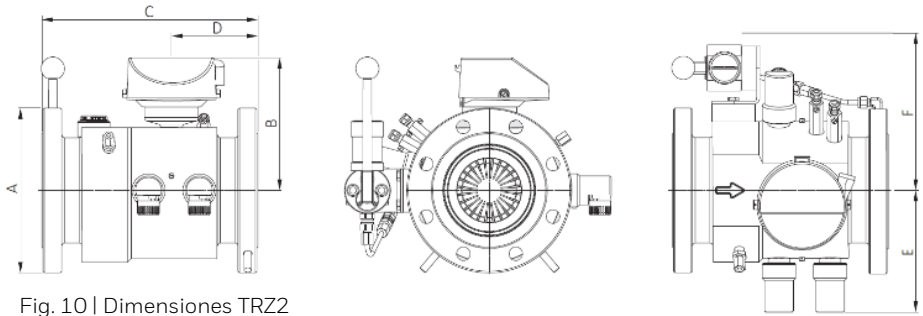
** Ap para gas natural a 1 bar abs.

*** Son posibles ligeras discrepancias

**** Límites de temperatura diferentes para otros rangos de medición (ver datos válidos en la placa de características)

Tabla 12 | Datos de potencia y dimensiones TRZ2

Dimensiones TRZ2

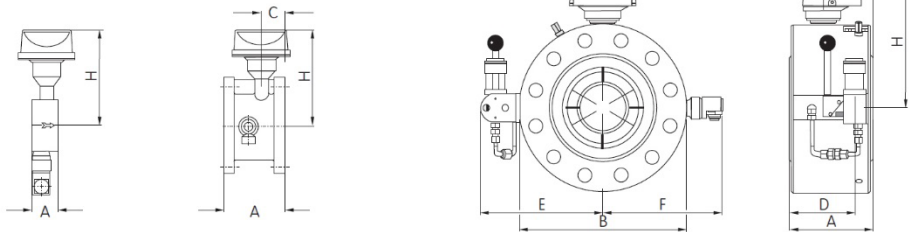


Dimensiones TRZ2

DN 50 (fundición de acero)

DN 80 – 150 (fundición de acero)

DN 50 – 150 (acero)



5.2 Condiciones ambientales

Modelo:	TRZ2	Q
Temperatura ambiente	-25 °C hasta +70 °C	
Temperatura almacenamiento de		
Humedad	0 a 80 %RH	
Altitud máx. s. n. m.	2000 m	
Instalación exterior	Sí	
Entornos mecánicos	M1	

Tabla 14 | Condiciones ambientales

5.3 Aprobaciones*

Aprobación:	Número de aprobación:	Organismo de aprobación:
MID	TRZ2: DE-09-MI002-PTB001	Physikalisch-Technische Bundesanstalt (PTB) Bundesallee 100 38116 Braunschweig Alemania
PED	TRZ2: CE0085BM0200 Q: CE0085BM0267	DVGW Cert GmbH Alemania Josef-Wirmer-Straße 1-3 53123 Bonn
ATEX	Ⓔ II 2G Ex h IIC T4 Gb 8000310657	TÜV Nord AG Am TÜV 1 30519 Hannover Alemania
IECEX	Ex h IIC T4 Gb IECEX TUR 16.0043x	TÜV Rheinland Industrieservice GmbH Am Grauen Stein 51105 Köln Alemania

Tabla 15 | Aprobaciones

Legenda ATEX/IECEX:

Ⓔ	Marcado para protección contra explosiones
II	Grupo de aparatos: industria (con exclusión de explotaciones mineras)
2	Categoría de aparatos 2 (zona 1)
G	Zonas con riesgo de explosión de gas
h	Tipo de protección: protección mecánica contra explosiones
IIC	Grupo de explosión para gases
T4	Clase de temperatura
Gb	Nivel de protección de material

* Se aplica la indicación en el dispositivo.

6. Anexo A – Estándares y normas

Los contadores de gas de turbina cumplen con las siguientes normas y estándares*:

TRZ2	Q		
X		2014/32/UE – Anexo IV (MI-002)	Directiva sobre instrumentos de medida (MID)
X	X	2014/68/UE	Directiva de equipos a presión (PED)
X		DIN EN 12261: 2018	Contadores de gas. Contadores de gas de turbina.
X	X	ISO 80079-36:2016-02 DIN EN ISO 80079-36:2016-12	Atmósferas explosivas. Parte 36: Equipos no eléctricos destinados a atmósferas explosivas. Metodología básica y requisitos.
X	X	ISO 80079-37:2016-02 DIN EN ISO 80079-37:2016-12	Atmósferas explosivas. Parte 37: Equipos no eléctricos destinados a atmósferas explosivas. Tipo no eléctrico de protección por seguridad constructiva "c", por control de las fuentes de ignición "b", por inmersión en líquido "k".

* Validez de las normas respectivamente en el momento de la impresión del manual de instrucciones.

7. Anexo B – Plásticos utilizados

Los siguientes plásticos están montados en el contador de gas de turbina:

Piezas de plástico	Sigla	Denominación química
Emisor de impulsos	PA 6.6	Poliamida
Engranaje – compl.	POM	Polioximetileno
Ruedas dentadas y piecerío	POM	Polioximetileno
Tapa del totalizador y totalizador	PC	Policarbonato
Parte inferior del totalizador	PPA	Poliftalamida
Tambores de cifras	PA 12 PPO	Poliamida Poli(óxido de fenileno)

8. Anexo C – Lista de tipos de gases

Fluido	Sigla	TRZ2	Q
Acetileno	C2H2	B1/B3	B1/B3
Amoniaco	NH3	-	-
Argón	Ar	X	X
Etano	C2H6	B1	B1
Etileno	C2H4	X	X
Autogás		B1	B1
Biogás		-	-
Butano (gaseoso)	C4H10	B1	B1
Química / gases de refinería		-	-
Gas natural, seco		X	X
Ácido acético o vapor de ácido acético		-	-
Formigás	N2, H2	X	X
Helio	He	X	X
Isobutileno	C4H8	X	X
Gas de coque		B2	B2
Ácido carbónico, seco	CO2	X	X
Gas de clarificación, seco/húmedo		-	-
Monóxido de carbono	CO	X	X
Aire / Aire comprimido		B1	B1
Metano	C2H4	X	X
Pentano	C5H12	X	X
Propano (gaseoso)	C3H8	X	X
Oxígeno	O2	-	-
Gas ciudad		X	X
Nitrógeno	N	X	X
Hidrógeno	H2	X**	X**
Dióxido de azufre	SO2	-	-
Sulfuro de hidrógeno	H2S	-	-

Leyenda:

X Producto estándar

(X) Posible con vida útil limitada

- No suministrable

B1 Con bomba de aceite (depósito de aceite)

B2 Cuerpo de acero

B3 $p_{m\acute{a}x} = 1,5$ bar

*Solo gas seco

** Precisión metrológica garantizada hasta un 10 % de mezcla de hidrógeno en gas natural

Istruzioni d'uso
Contatori gas a turbina e quantometri
Tipo TRZ2 · Q



Indice

1. Indicazioni di sicurezza	127
1.1 Uso previsto	128
1.2 Omologazioni e certificazioni*	128
1.3 Diritti d'autore e tutela dati.....	129
1.4 Esclusione di responsabilità.....	129
1.5 Responsabilità e garanzia sul prodotto.....	129
1.6 Personale	130
1.7 Destinazione d'uso e campo applicativo	130
1.8 Dichiarazioni legali	130
1.9 Riciclaggio e tutela ambientale.....	131
2. Assemblaggio e funzionamento.....	132
2.1 Descrizione dell'apparecchio	133
2.2 Versioni totalizzatore	134
2.3 Prese di misura della temperatura	135
2.4 Prese di misura della pressione	136
3. Installazione e messa in servizio.....	137
3.1 Corredo di fornitura.....	137
3.2 Stoccaggio.....	137
3.3 Trasporto	137
3.4 Presupposti prima dell'installazione	138
3.5 Posizione di montaggio e direzione di flusso	139
3.6 Montaggio	140
3.7 Prima messa in servizio / Riempimento d'olio.....	141
4. Manutenzione.....	142
4.1 Pulizia	143
4.2 Riparazione/Smantellamento	144
4.3 Smaltimento	144
5. Dati tecnici	145
5.1 Dimensioni, peso e collegamenti	146
5.2 Condizioni ambientali	148
5.3 Omologazioni*.....	149
6. Appendice A – Standard e norme.....	150
7. Appendice B – Materie plastiche usate	150
8. Appendice C – Elenco tipi di gas	151

Informazioni sulla documentazione

La versione più aggiornata delle istruzioni d'uso si può scaricare dalla pagina Internet di Honeywell.

Per evitare lesioni dell'utente o danni all'apparecchio, è necessario leggere attentamente le informazioni di questo documento. Inoltre occorre attenersi agli standard, alle disposizioni di sicurezza e alle norme antinfortunistiche in vigore a livello nazionale.

Se si riscontrano problemi nell'interpretazione del presente documento, rivolgersi alla filiale Honeywell locale per chiarimenti. Honeywell non si assume alcuna responsabilità per danni a cose o persone che possano derivare da un'interpretazione non corretta delle informazioni riportate in questo documento.

Questo documento aiuta a fare in modo che le condizioni di esercizio garantiscano un impiego sicuro ed efficiente dell'apparecchio. Nel documento, inoltre, sono descritti punti e precauzioni di sicurezza, a cui attenersi in modo specifico, che compaiono unitamente ai simboli riportati qui di seguito.

**AVVERTENZA o ATTENZIONE**

Questo simbolo si riferisce a situazioni pericolose. Seguire le istruzioni, altrimenti possono scaturire pericoli per le persone e per l'ambiente oppure l'apparecchio di misurazione può subire danni.

**INFORMAZIONE o INDICAZIONE**

In caso di mancata osservanza delle informazioni o delle indicazioni accompagnate da questo simbolo, non si garantisce la precisione della misurazione.

1. Indicazioni di sicurezza



AVVERTENZA!

Pericolo di scarica elettrostatica – utilizzare solo un panno umido per pulire.



AVVERTENZA!

Se sussiste il pericolo che l'apparecchio possa essere danneggiato da oggetti in caduta (appuntiti, taglienti o pesanti), il gestore dello stesso è tenuto a proteggerlo.



AVVERTENZA!

Pericoli che conducano a una reazione chimica tra le parti dell'apparecchio di misurazione ed eventuali sostanze chimiche presenti nelle vicinanze, vanno discussi con il costruttore ed eliminati.



AVVERTENZA!

L'apparecchio di misurazione deve essere collegato al sistema di equipotenzialità mediante la tubazione con neutro a terra.



AVVERTENZA!

Se si vuole immettere un odorizzante o si vogliono utilizzare valvole elettromagnetiche, prevederne l'installazione solo a valle del contatore. In caso contrario l'apparecchio può subire danni.



AVVERTENZA!

Il gas non deve contenere particelle in sospensione > 50 µm e deve essere gas asciutto. In caso contrario il contatore può subire danni.



INFORMAZIONE!

Il gas che attraversa il contatore deve essere privo di perturbazioni per evitare rilevazioni errate.



INFORMAZIONE!

L'osservanza delle condizioni di esercizio e ambientali indicate sulla targhetta dati è condizione essenziale per il funzionamento affidabile del contatore, comprensivo dei relativi dispositivi aggiuntivi.

1.1 Uso previsto



ATTENZIONE!

Il gestore è l'unico responsabile dell'utilizzo dell'apparecchio di misurazione per quanto attiene l'idoneità, l'uso appropriato e la resistenza alla corrosione dei materiali utilizzati rispetto al media da misurare.



INFORMAZIONE!

Il costruttore non risponde per danni derivati da un utilizzo non appropriato e non conforme all'uso previsto.

1.2 Omologazioni e certificazioni*

Marcatura CE / Dichiarazione UE di conformità



Il costruttore dichiara la conformità nell'apposita dichiarazione UE e apponendo il marchio CE.

L'apparecchio di misurazione soddisfa le richieste di legge delle rispettive direttive UE.

Nella dichiarazione UE di conformità sono riportate informazioni riassuntive sulle direttive e norme UE applicate, nonché le certificazioni riconosciute.

La dichiarazione UE di conformità è compresa nella fornitura o si può scaricare online alla pagina www.docuthek.com.

➤ **Per ulteriori omologazioni e direttive, si veda il capitolo 5.3 Omologazioni e appendice A – Standard e norme**

ATEX/IECEx



PERICOLO!

I contatori gas a turbina e i quantometri sono idonei all'utilizzo in atmosfere potenzialmente esplosive della zona 1 e sono omologati dalla certificazione (IECEx) e dalla dichiarazione del produttore (ATEX) indicate qui di seguito:

Ex II 2G Ex h IIC T4 Gb

IECEx TUR 16.0043x (IECEx)

8000310657 (ATEX)

TÜV Rheinland Industrieservice GmbH
Am Grauen Stein | 51105 Köln |
Germania

TÜV Nord AG
Am TÜV 1 | 30519 Hannover | Germania

* È valido il contrassegno posto sull'apparecchio.

1.3 Diritti d'autore e tutela dati

Il presente documento è stato redatto con estrema cura. Tuttavia non ci si assume alcuna responsabilità circa la correttezza, la completezza e l'attualità dei contenuti.

I contenuti e i lavori redatti in questo documento sono tutelati da diritti d'autore. I contributi di terzi sono contrassegnati come tali. La riproduzione, l'elaborazione, la diffusione e qualsiasi utilizzo, che esuli dai limiti del diritto d'autore, richiedono l'approvazione scritta del rispettivo autore o del costruttore. Il costruttore si impegna sempre a rispettare i diritti d'autore di terzi ovvero a ricorrere a lavori realizzati in proprio o non soggetti a licenza.

Si avvisa che la trasmissione dati via Internet (ad es. nella comunicazione per e-mail) può presentare lacune nella sicurezza. Una tutela dati priva di lacune contro l'accesso di terzi non è possibile.

1.4 Esclusione di responsabilità

Il costruttore non è responsabile per danni di qualsiasi tipo derivati dall'utilizzo del prodotto, inclusi, ma senza limitazione danni diretti, indiretti o accidentali e danni consecutivi.

L'esclusione di responsabilità non vale, qualora il costruttore abbia agito con premeditazione o per colpa grave. Se, in base a una legge vigente, le limitazioni della responsabilità tacita per i difetti o dell'esonero ovvero della limitazione del risarcimento danni determinato non sono riconosciute e tale diritto risulta in vigore, l'esclusione di responsabilità, gli esoneri o le limitazioni di cui sopra possono risultare parzialmente o completamente inefficaci.

Su ogni prodotto acquistato vale la garanzia secondo la relativa documentazione e secondo le condizioni di vendita e di consegna del costruttore.

Il costruttore si riserva il diritto di modificare il contenuto dei documenti, inclusa l'esclusione di responsabilità, in qualsiasi modo e in qualsiasi momento, a prescindere dalla motivazione, e non è responsabile in alcun modo delle eventuali conseguenze di tali modifiche.

1.5 Responsabilità e garanzia sul prodotto

Il gestore è responsabile dell'idoneità degli apparecchi di misurazione alla rispettiva finalità d'uso. Il costruttore non si assume alcuna responsabilità per le conseguenze dovute a un uso scorretto da parte del gestore. Un'installazione o un impiego degli apparecchi (impianti) di misurazione

non appropriata/o comporta la perdita della garanzia. Inoltre valgono le rispettive “Condizioni generali di contratto” che rappresentano la base del contratto d’acquisto.

1.6 Personale

Queste **istruzioni sono rivolte a personale** che, in virtù della propria formazione e della propria esperienza in materia di fornitura di energia e di gas, dispone di sufficienti nozioni tecniche e competenze (ad es. in Germania secondo le Schede di lavoro DVGW 492 e 495 o analoghi regolamenti tecnici).

1.7 Destinazione d’uso e campo applicativo

La serie di modelli TRZ2 è studiata per la misura tarabile della portata. La serie di modelli Q non è adatta alla misura non tarabile della portata. Gli apparecchi sono idonei alla misura dei seguenti media:

- gas combustibili: metano / gas di città / propano / butano
- gas non combustibili: aria / azoto / gas inerti
- Per altri campi applicativi o media, vedi appendice C – Elenco tipi di gas o su richiesta

Questo prodotto **non** è studiato per

- misurare la portata di gas aggressivi, ad es. biogas o gas di depurazione, ossigeno, acetilene.

1.8 Dichiarazioni legali

- La valutazione della conformità dal punto di vista metrologico dipende dalle disposizioni del Paese in cui si utilizza l’apparecchio di misurazione.
- La durata della taratura dipende dalle disposizioni del Paese in cui si utilizza l’apparecchio di misurazione.

1.9 Riciclaggio e tutela ambientale

Honeywell ha realizzato delle confezioni di trasporto degli apparecchi di misurazione compatibili con l'ambiente. Nella scelta si presta sempre una particolare attenzione alle eventuali possibilità di riciclaggio. I cartoni utilizzati sono materie prime secondarie dell'industria della carta. Gli imballi espansi Instapak® sono riciclabili e riutilizzabili.

Anche le pellicole e i nastri sono in plastica riciclabile. Per la Honeywell il riciclaggio e lo smaltimento rappresentano una tappa fondamentale dello sviluppo del prodotto. Nella scelta dei materiali si tiene conto anche dell'eventualità del loro riutilizzo, della possibilità di smontare e separare materiali e componenti, nonché dei rischi ambientali e sanitari legati al riciclaggio e al deposito. Gli apparecchi di misurazione sono costituiti in gran parte da materiali metallici che possono essere di nuovo fusi negli stabilimenti metallurgici e quindi sono riutilizzabili quasi senza alcun limite. Le materie plastiche utilizzate sono elencate nell'Appendice B, in modo da agevolarne lo smistamento e la suddivisione per il successivo riciclaggio.

L'olio fornito, come tutti gli oli minerali (ad es. olio per autoveicoli), va smaltito nel rispetto delle norme sulla tutela ambientale.

2. Assemblaggio e funzionamento

Principio di lavoro

Il gas in entrata nel contatore fa ruotare la rotella di misurazione, per cui il numero di giri è proporzionale al volume di esercizio fluito. Il flusso di gas in entrata nel contatore viene accelerato dal raddrizzatore costruito appositamente, il quale si trova proprio all'ingresso del contatore. Questo raddrizzatore di flusso è costruito in modo da eliminare eventuali influenze sul flusso, come vortici o flusso asimmetrico. Ciò consente una precisione di misurazione elevata nei margini di errore consentiti, anche in caso di portate limitate.

Il numero di giri della rotella di misurazione rotante viene ridotto con un ingranaggio. Un albero di trasmissione collegato all'ingranaggio aziona il totalizzatore meccanico a rotelle a 8 cifre, presente nella testa del contatore in assenza di pressione, mediante un giunto magnetico. A valle della rotella di misurazione, il gas abbandona il contatore attraverso un canale di uscita a flusso ottimizzato, studiato per un recupero massimo di pressione.

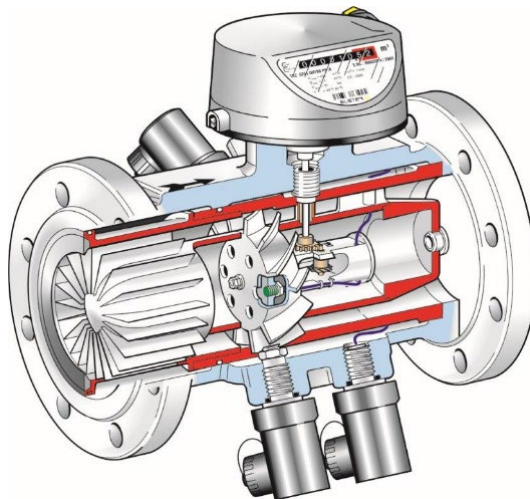


Fig. 1 | Rappresentazione in sezione contatore gas a turbina

2.1 Descrizione dell'apparecchio

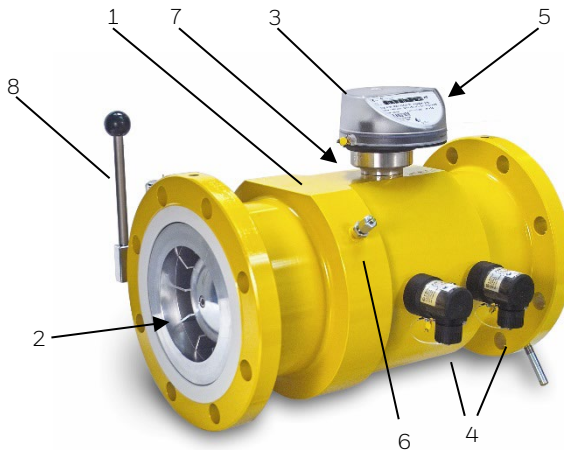


Fig. 2 | Contatore gas a turbina TRZ2

1	Corpo contatore	5	Trasmittitore d'impulsi BF (opzionale)
2	Cartuccia di misurazione	6	Preso di misura della pressione
3	Totalizzatore	7	Preso/e di misura della temperatura
4	Trasmittitore d'impulsi AF (opzionale)	8	Pompa dell'olio (opzionale)

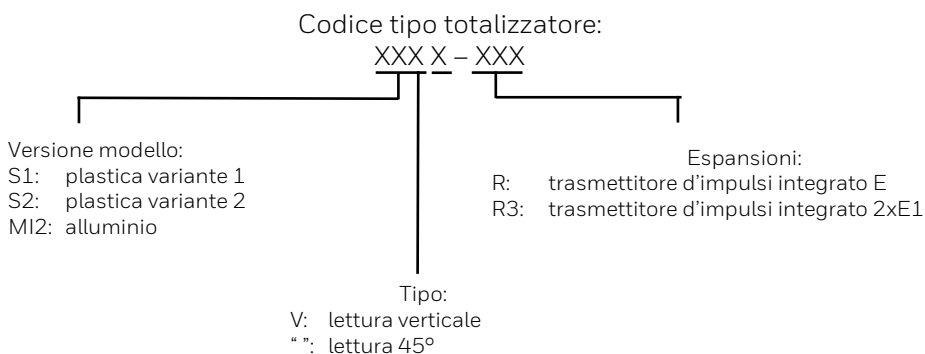
Il servizio di assistenza clienti Honeywell locale fornisce assistenza per la messa in servizio, la manutenzione e l'installazione ad es. di Encoder, trasmettitori d'impulsi o convertitori di volume. Le riparazioni devono essere effettuate esclusivamente da officine autorizzate.

2.2 Versioni totalizzatore

Il contatore può essere fornito con totalizzatore in varie versioni:



Fig. 3 | Esempio di totalizzatori (a sinistra: MI-2, al centro: S1, a destra: S1V)



Caratteristiche:	S1	S1V	MI-2
Totalizzatore meccanico a 8 cifre	•	•	•
Totalizzatore ruotabile di 355°	•	•	•
Classe di protezione IP 67	•	•	•
Lettura 45°	•	-	•
Lettura verticale	-	•	•
Attacco per trasmettitore d'impulsi est. IN-Sxx/IN-Wxx	•	•	•
Trasmettitore d'impulsi contatto reed int. S1xR	-	•	-
Opzionale: cartuccia a secco	-	-	•
Opzionale: ENCODER	•	•	-

Tabella 1 | Panoramica delle varie versioni di totalizzatore

2.3 Prese di misura della temperatura



Fig. 4 | Prese di misura della temperatura e della pressione

Per misurare la temperatura del gas si possono introdurre sonde di temperatura in un'apposita tasca termometrica nel corpo del contatore del gas. Nei contatori gas a turbina sono disponibili come optional (in funzione della dimensione del contatore) fino a due tasche termometriche. Nei quantometri non sono previste prese di misura della temperatura. Il numero e la versione delle tasche termometriche sono riportati nella seguente tabella:

Ø máx. sensore	TRZ2 DN	Materiale del corpo	PN 10/16 EBL	PN 25/40 EBL	Class 150 EBL	Class 300 EBL	Class 600 EBL	
TRZ2 Standard Line								
6mm	80	GGG	27 (1x)	-	27 (1x)	-	-	
	100	GGG	27 (1x)	-	27 (1x)	-	-	
	150	GGG	27 (1x)	-	27 (1x)	-	-	
	TRZ2 Premium Line							
	50	GGG/ ST	-	-	-	-	-	
	80	GGG	45 (2x)	-	45 (2x)	-	-	
		ST	45 (2x)	45 (1x)	45 (2x)	45 (1x)	45 (1x)	
	100	GGG	50 (2x)	-	50 (2x)	-	-	
		ST	50 (2x)	50 (1x)	50 (2x)	50 (1x)	50 (1x)	
100/ 150	GGG	67 (2x)	-	67 (2x)	-	67 (2x)		
	ST	67 (2x)	67 (2x)	67 (2x)	67 (2x)	67 (2x)		
150	GGG	50 (2x)	-	50 (2x)	-	-		
	ST	50 (2x)	50 (2x)	50 (2x)	50 (2x)	50 (2x)		

Tabella 2 | Sonde di temperatura nel TRZ2

GGG = ghisa sferoidale

ST = acciaio

EBL = lunghezza di montaggio (arrotondata) in mm delle tasche termometriche

Se nel corpo del contatore non sono previste prese di misura della temperatura, occorre predisporre rilevazioni termiche esterne nella tubatura a valle del contatore del gas a una distanza fino a $3 \times DN$ per un max di 600 mm.

**INDICAZIONE!**

- *Con impianti di misurazione all'aperto, il risultato della rilevazione può essere influenzato dalla temperatura ambiente.*
- *Isolare gli elementi di misurazione esterni alla tubatura dagli effetti della temperatura ambiente.*
- *Per raggiungere una conduzione termica ottimale, occorre riempire la tasca termometrica (le tasche termometriche) con un liquido o una pasta a termoconduzione.*

2.4 Prese di misura della pressione

Come presa di misura della pressione, ad es. per il collegamento di un sensore di pressione, è previsto un "collegamento a vite diritto" sul corpo del contatore secondo DIN 2353. È contrassegnato con pm/pr ed è previsto per il collegamento di tubi in acciaio di $\varnothing 6$ mm secondo DIN EN 10305-1 (ad es. tipo di acciaio E235) o tubi flessibili a pressione di Honeywell.

**ATTENZIONE!**

- *Potenziale rischio della sicurezza di funzionamento!*
- *La sicurezza di funzionamento è garantita solo se l'accoppiamento dei materiali dei componenti di raccordo e del tubo è fatto correttamente.*
- *Non effettuare raccordi tra il collegamento a vite diritto e tubi in acciaio inossidabile o tubi in materiali non ferrosi.*

**INDICAZIONE!**

- *Utilizzare solo raccordi a vite per tubi Parker Ermeto/ Voss originali.*
- *Per trasformazioni e installazioni di apparecchi supplementari si consiglia di rivolgersi al servizio di assistenza clienti Honeywell locale.*

3. Installazione e messa in servizio



INFORMAZIONE!

Controllare la distinta per stabilire se l'ordine ricevuto è completo. Controllare sulle targhette dati se l'apparecchio fornito corrisponde a quello ordinato.



INFORMAZIONE!

Controllare accuratamente se le confezioni presentano danni o segni di manipolazione inappropriata. In caso di danni rivolgersi allo spedizioniere e al rappresentante locale del costruttore.



INFORMAZIONE!

Il materiale di montaggio e gli utensili non sono compresi nella fornitura. Utilizzare materiale di montaggio e utensili secondo quanto previsto dalle norme vigenti in materia d'infortuni sul lavoro e sicurezza.

3.1 Corredo di fornitura

- > Apparecchio di misurazione ordinato
- > Istruzioni d'uso
- > Documentazione prodotto
- > Olio – Shell Risella 917, Shell Catenex T121 o Klüber ISOFLEX PDP 38 (con contatori lubrificati a olio)
- > Accessori opzionali in base all'ordine
- > Opzionale: certificato di taratura

3.2 Stoccaggio

- > Stoccare l'apparecchio in luogo asciutto e privo di polvere.
- > Evitare l'esposizione permanente ai raggi diretti del sole.
- > Conservare l'apparecchio nella sua confezione originale.
- > Temperatura di stoccaggio: -25...+70 °C / -13...+158 °F.

3.3 Trasporto



INFORMAZIONE!

Non sollevare l'apparecchio di misurazione dal totalizzatore.

3.4 Presupposti prima dell'installazione

- Rimuovere i tappi di protezione e le pellicole.
- Controllare che il contatore e gli accessori non presentino danni da trasporto.
- Controllare la funzionalità della rotella di misurazione soffiando un po' d'aria.
- Sincerarsi di avere a disposizione tutti gli utensili necessari.
- Controllare che gli accessori siano completi (ad es. connettori a spina, olio per il primo riempimento).
- Guarnizioni idonee all'impiego con il media di esercizio (esempi, vedi tabella 4). In particolare, controllare anche se per Lei sono applicabili altre norme, ad es. DIN EN 1591 parti 1 – 4.

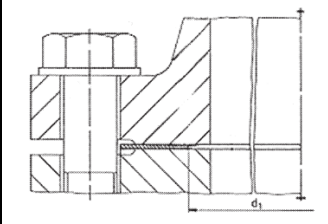
	DN	d1 [mm]	Indicate, tra le altre: - guarnizioni piatte - guarnizioni a spirale - guarnizioni profilate a pettine
	50	62	
	80	100	
	100	125	
	150	178	

Tabella 4 | Guarnizioni idonee

- Viti a testa esagonale e dadi per flangia secondo DIN EN 1092-1

Materiale / Classe di resistenza		Limiti d'uso	Norme
Vite	Dado		
5.6	5	fino a 40 bar fino a -10 °C	DIN ISO 4014
8.8	8		DIN ISO 4032
CK 35	CK 35	fino a 100 bar fino a -10 °C	DIN 2510
25CrMo4	25CrMo4	fino a 100 bar fino a -25 °C	EN 10269

Tabella 5 | Viti idonee

- Perni filettati con filettatura continua per flangia secondo ASME B 16.5

Materiale / Classe di resistenza		Limiti d'uso	Norme
Vite	Dado		
A 193 B6	A 194 Gr. 6	fino a 100 bar / 0 °C	ASME B 1.1
A 193 B7	A 194 Gr. 2H	fino a 100 bar / - 25 °C	

Tabella 6 | Perni filettati idonei

- Si possono utilizzare anche altri materiali equivalenti.

3.5 Posizione di montaggio e direzione di flusso

- Preferibilmente installare il contatore gas a turbina / quantometro in posizione orizzontale con il totalizzatore in alto.
- Le posizioni di montaggio/esercizio ammesse per il contatore sono indicate sulla targhetta principale conformemente ai contrassegni previsti secondo DIN EN 12261 "H", "V" o "H/V" (H = orizzontale, V = verticale). Se al momento dell'ordine è stata indicata la posizione di montaggio ovvero di esercizio, tutte le parti annesse sono montate in fabbrica conformemente alla posizione d'installazione.
- Per motivi di precisione di misura si richiede una lunghezza minima del tratto di entrata con TRZ2 pari al doppio del diametro nominale. TRZ2 DN 50 richiede un tratto di entrata $\geq 5 \times DN$.
- Il tratto di entrata deve essere realizzato con tubazione diritta avente lo stesso diametro nominale del contatore.
- La lunghezza del tratto di uscita è pari almeno a $1 \times DN$ dello stesso diametro nominale.

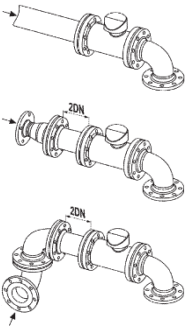
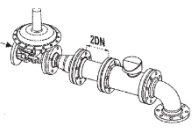
Perturbazioni di flusso	Tratti di entrata tipici Tratti di tubazione installati a distanza di 2D a monte dell'ingresso del contatore	TRZ2	Q
Perturbazioni di flusso lievi - gomiti semplici - gomiti doppi - diffusori		$L \geq 2D$ senza raddrizzatore di flusso	$L \geq 5D$
Perturbazioni di flusso gravi - regolatore della pressione del gas - altri regolatori di portata		$L \geq 2D$ senza raddrizzatore di flusso	$L \geq 5D$ raddrizzatore di flusso consigliato

Tabella 7 | Tratti di entrata

3.6 Montaggio

**ATTENZIONE!**

Per il montaggio di raccordi a flangia osservare assolutamente le norme di sicurezza e antinfortunistiche in vigore a livello locale.

**ATTENZIONE!**

Nell'area in cui è in vigore la direttiva sulle attrezzature a pressione, i montatori di raccordi a flangia devono avere una qualifica specifica (ad es. secondo EN 1591-4).

**ATTENZIONE!**

Per proteggere il contatore si consiglia un filtro a rete conico con una larghezza di maglia di 250 μ m. Nel montare il contatore in verticale con direzione di flusso dal basso verso l'alto, si deve inserire un filtro all'entrata e un filtro all'uscita del contatore (allo scopo di proteggerlo da residui in ricaduta).

Togliere il filtro a rete conico dopo ca. 4 – 6 settimane, perché dopo tale periodo potrebbe essere saturo e quindi ostacolare il flusso.

- Durante il montaggio prestare attenzione alla direzione di flusso che è indicata sul totalizzatore o sul corpo contatore.
- In caso di montaggio verticale successivo, la pompa dell'olio (se presente) deve trovarsi in verticale rivolta verso l'alto. Diversamente, prima di installare il contatore occorre ruotare di 90° la pompa dell'olio e la sua connessione di alimentazione, nonché eventuali altre parti annesse, ad es. il convertitore di volume.
- Disporre le guarnizioni tra le flange in modo concentrico e assicurarsi che non sporgano nel canale di flusso.
- Fissare il contatore con le viti come indicato nelle tabelle 5/6.
- Assicurarsi che il contatore sia allineato senza serraggio eccessivo.
- Montare i pezzi accessori forniti.
- Si consiglia di piazzare il contatore in modo che sia protetto dalle intemperie oppure montare un'apposita protezione.

3.7 Prima messa in servizio / Riempimento d'olio



ATTENZIONE!

Prima della messa in servizio, i contatori con pompa dell'olio devono essere sottoposti a una lubrificazione iniziale (> vedi "Riempimento d'olio").



ATTENZIONE!

Riempire tempestivamente di olio il serbatoio di contenimento per evitare che entri aria nelle tubature. Utilizzare solo olio nuovo e pulito. Dopo il riempimento chiudere subito bene il serbatoio di contenimento, affinché non vi entrino sporcizia o acqua.



INDICAZIONE!

Si possono utilizzare altri oli non resinosi e non acidi con una viscosità di ca. 30 mm²/s a 20 °C, punto di solidificazione inferiore a -30 °C od oli equivalenti. Con gas speciali come propano, butano o in condizioni di esercizio difficili (ad es. funzionamento a pieno carico o gas sporchi) occorre dimezzare gli intervalli di lubrificazione (ogni 1,5 – 2 mesi).

Con contatori del gas senza pompa dell'olio si può saltare il punto "Riempimento d'olio" (passare a "Messa in servizio").

Riempimento d'olio:

- > Aprire il coperchio del serbatoio di contenimento dell'olio (vedi fig. 5).
- > Riempire il serbatoio di contenimento dell'olio con l'olio fornito.
- > La quantità di olio è sufficiente, se nel vaglio del filtro si vede il livello dell'olio.
- > La pompa dell'olio deve essere azionata come segue:



Fig. 5 | Serbatoio di contenimento dell'olio

Prima messa in servizio		
Dimensione contatore:	Numero delle pompe:	
	Pompa dell'olio a leva (Premium Line)	Pompa dell'olio a pulsante (Standard Line)
DN 50	3	6
DN 80 / DN 100	5	10
DN 150	7	14

Tabella 8 | Prima messa in servizio



Fig. 6 | Pompa dell'olio a leva

Messa in servizio:



-  Riempire lentamente l'impianto fino a raggiungere la pressione di esercizio.
- L'aumento di pressione non deve superare 350 mbar/s!
- Per il riempimento si dovrebbe utilizzare una condotta a bypass (si consiglia: diametro del tubo 12 mm).
- Non superare il campo di misura del contatore del gas, neppure per un breve lasso di tempo!
- Infine eseguire un controllo di tenuta!





Fig. 7 | Pompa dell'olio a pulsante

4. Manutenzione

 **INFORMAZIONE!**
I contatori senza pompa dell'olio non richiedono manutenzione.

 **INDICAZIONE!**
I contatori con pompa dell'olio devono essere lubrificati ogni 3 o 4 mesi. Con gas speciali come propano, butano o in condizioni di esercizio difficili (ades. funzionamento a pieno carico o gas sporchi) occorre dimezzare gli intervalli di lubrificazione (ogni 1,5 – 2 mesi).

 **ATTENZIONE!**
Riempire tempestivamente di olio il serbatoio di contenimento per evitare che entri aria nelle tubature. Utilizzare solo olio nuovo e pulito. Dopo il riempimento chiudere subito bene il serbatoio di contenimento, affinché non vi entrino sporchie o acqua.

 **INDICAZIONE!**
Si possono utilizzare altri oli non resinosi e non acidi con una viscosità di ca. 30 mm²/s a 20 °C, punto di solidificazione inferiore a -30 °C od oli equivalenti.

- Prima di azionare la leva manuale / il pulsante della pompa dell'olio, aprire il coperchio del serbatoio di contenimento.
- Controllo della quantità d'olio: nel serbatoio di contenimento deve esserci olio a sufficienza. Si deve vedere il livello dell'olio nel vaglio del filtro.
- Il contatore deve essere in funzione, quindi la rotella di misurazione deve girare.
- Azionare la pompa dell'olio a mano secondo la tabella 9. Tirare la leva manuale fino all'arresto o premere il pulsante fino all'arresto. Un azionamento corrisponde a una corsa del pistone della pompa.
- Dopo quest'operazione, chiudere di nuovo il serbatoio.

Istruzioni per la manutenzione		
Dimensione contatore:	Numero delle pompe:	
	Pompa dell'olio a leva (Premium Line)	Pompa dell'olio a pulsante (Standard Line)
DN 50	2	4
DN 80 / DN 100	4	8
DN 150	6	12

Tipi di olio	
Tipo di olio:	Temperature di utilizzo:
Shell Catenex T 121	da -10 °C a +70 °C
Klüber ISOFLEX PDP 38	da -25 °C a +70 °C

Tabella 9 | Istruzioni per la manutenzione

4.1 Pulizia



AVVERTENZA!

Pericolo di scarica elettrostatica – utilizzare solo un panno umido per pulire.



PERICOLO!

- *Pericolo di esplosione dovuto a scarica elettrostatica.*
- *Sussiste pericolo di esplosione, qualora si pulisca il coperchio in plastica del totalizzatore con un panno asciutto.*
- *Per la pulizia è vietato l'uso di detergenti chimici aggressivi o di solventi.*
- *Per la pulizia degli elementi in plastica utilizzare solo acqua.*

4.2 Riparazione/Smantellamento



PERICOLO!

Eeguire i lavori di manutenzione solo con tubazione del gas in assenza di pressione.



INFORMAZIONE!

Le riparazioni devono essere effettuate esclusivamente da officine autorizzate.

Messa fuori servizio:



- Ridurre lentamente la pressione della tubazione del gas (massimo 350 mbar/s).
- Controllare l'assenza di pressione nella tubazione del gas.
- Allentare i collegamenti a vite e smontare il contatore.

4.3 Smaltimento

I contatori gas a turbina sono costituiti in gran parte da materiali metallici che possono essere di nuovo fusi negli stabilimenti metallurgici e quindi sono riutilizzabili quasi senza alcun limite. Le materie plastiche utilizzate sono elencate nell'Appendice B, in modo da agevolarne lo smistamento e la suddivisione per il successivo riciclaggio.

L'olio fornito, come tutti gli oli minerali (ad es. olio per autoveicoli), va smaltito nel rispetto delle norme sulla tutela ambientale.

5. Dati tecnici

Tipo:	TRZ2	Q
Dimensione	G65 – G1000	
Diametro nominale	da DN 50 a DN 150	
Pressione di esercizio	Max 100 bar*	
Temperatura del gas	da -25 °C a +70 °C**	
Materiale del corpo	Ghisa sferoidale o acciaio	
Classe di protezione	IP 67	
Media di misura	Gas metano e altri gas filtrati, non corrosivi	
Classe di precisione metrologica	1,0	-

Tabella 10 | Dati tecnici

* Valgono le indicazioni riportate sulla targhetta dati in base alla classe di pressione.

** Soglie termiche divergenti per altri campi di misura (per indicazioni in vigore vedi targhetta dati)

Margini d'errore

Margini d'errore max concessi secondo EN 12261

$\pm 1,0\%$ per Q_t fino a Q_{max}

$\pm 2,0\%$ per Q_{min} fino a Q_t

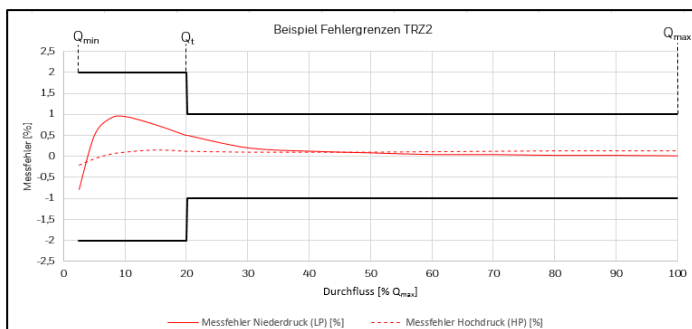


Fig. 8 | Margini d'errore TRZ2

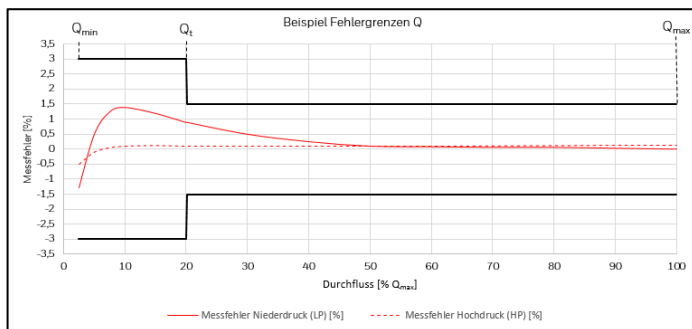


Fig. 9 | Margini d'errore Q

Campi di misura

5.1 Dimensioni, peso e collegamenti

Dati di prestazione e dimensioni TRZ2

TRZ2	Diametro nominale	DN	50	80	80	80	100	100	100	100	100	150	150	150	150
	Dimensione contatore	G	65	100	160	250*	160	250	400*	250	400*	250	400	650*	1000*
Tecnica di misura	Campo di misura (1:20)	Q _{min}	5	8	12,5	20	12,5	20	32	20	32	20	32	50	80
	Ap** a Q _{max}	Q _{max}	100	160	250	400	250	400	650	400	650	400	650	1000	1600
	Temperatura	[mbar]	11	2	5	12	2	5	13	1	2	6	15		
			da -25°C a +70 °C***												
	Classi di pressione		PN 10, 16, 25, 40, 64, 100 / ANSI 150, 300, 600												
Corpo***	Dimensioni	A [mm]	165	215	215	215	273	273	273	273	356	356	356	356	356
		B [mm]	155	172	172	172	185	185	185	185	210	210	210	210	210
		C [mm]	150	240	240	240	300	300	300	300	450	450	450	450	450
		D [mm]	75	100	100	100	120	120	120	120	180	180	180	180	180
		E [mm]	135	157	157	157	170	170	170	170	193	193	193	193	193
		F [mm]	280	200	200	200	210	210	210	210	235	235	235	235	235
Peso [kg]***		GGG	10	21	21	21	29	29	29	53	53	53	53	53	
Uscite valori degli impulsi**** [Imp./m³]		Acciaio	13	32	32	32	50	50	50	91	91	91	91	91	
		Acciaio	15	33	33	33	50	50	50	97	97	97	97	97	
		Tipo BF E1 (IN-Sxx)	10	1	1	1	1	1	1	1	1	1	1	1	
		Tipo AF A1R (PHF, NJ)	28000	10500	10500	10500	6630	6630	6630	6630	6630	6630	2560	2560	2560
	Tipo AF A1S (IFM, N950000)	-	21000	21000	21000	13260	13260	13260	13260	13260	13260	5120	5120	5120	

* Contatore disponibile anche per campo di misura 1:30

** Δp per gas metano a 1 bar ass.

*** Possibili lievi variazioni

**** Soglie termiche divergenti per altri campi di misura (per indicazioni in vigore vedi targhetta dati)

Tabella 12 | Dati di prestazione e dimensioni TRZ2

Dati di prestazione e dimensioni Q

Q	Diametro nominale	DN	50 / 2"	80 / 3"	80 / 3"	80 / 3"	100 / 4"	100 / 4"	DN 150 / 6"	DN 150 / 6"	DN 150 / 6"	DN 150 / 6"	
			Dimensione contatore	G	100	160	250	400	400	400	650	650	1000
Tecnica di misurazione	Campo di misura	Q _{min}	6	10	13	20	20	32	32	50	50	80	
	Ap* a Q _{max}	[mbar]	100	160	250	400	400	650	650	1000	1000	1600	
Corpo***	Temperature	[mbar]	12	2	5,3	13,6	13,1	5,8	2,6	6,5	6,5	16,8	
	Temperature		da -25 °C a +60 °C (Q _{min} ≠ 8 m ³ /h), da -10 °C a 55 °C (Q _{min} = 8 m ³ /h)										
	Temperature		da -25 °C a +60 °C (acciaio), da -20 °C a +60 °C (GGG40)										
	Classi di pressione		PN 10, 16, 25, 40, 64, 100 / ANSI 150, 300, 600										
	A [mm]	GGG 40**	60/150	120	120	120	120	150	150	175/180	175/180	175/180	175/180
	B [mm]	Acciaio	150	120	120	120	150	150	150	175/180	175/180	175/180	175/180
		GGG 40**											
		Acciaio*											
	C [mm]	GGG 40**	75	52	52	52	57	57	76	76	76	76	76
	D [mm]	Acciaio*	75	52	52	52	57	57	73	73	73	73	73
E [mm]	GGG 40**	-	-	-	-	-	-	-	-	-	-	-	
F [mm]	Acciaio*	198	185	185	185	217	217	260	260	260	260	260	
G [mm]	GGG 40**	143	158	158	158	170	170	195	195	195	195	195	
H [mm]	Acciaio*	134	180	180	180	211	211	253	253	253	253	253	
	GGG 40**	170	190	190	190	200	200	225	225	225	225	225	
	Acciaio*	165	193	193	193	230	230	272	272	272	272	272	
	GGG 40	4	13	13	13	15	15	28	28	28	28	28	
	Acciaio	14	24	24	24	38	38	56	56	56	56	56	
	Acciaio	15	26	26	26	48	48	77	77	77	77	77	
	Acciaio	16	27	27	27	53	53	96	96	96	96	96	
Peso [kg]***	PN 10/16, ANSI 150		10	1	1	1	1	1	1	1	1	1	
Uscite valori degli impulsi*** [imp./m ³]	Tipo BF EI (IN-Sxx)		28000	10500	10500	10500	6630	6630	2560	2560	2560	2560	
	Tipo AFA IR (P+F, NJ)		-	-	-	-	-	-	-	-	-	-	
	Tipo AFA IS (FIM, N95000)		-	-	-	-	-	-	-	-	-	-	

Conformemente alla classe della flangia

* Costruzione sandwich

** Nessuna lubrificazione dell'olio possibile

*** Possibili lievi variazioni

Italiano

Tabella 13 | Dati di prestazione e dimensioni Q

Dimensioni TRZ2

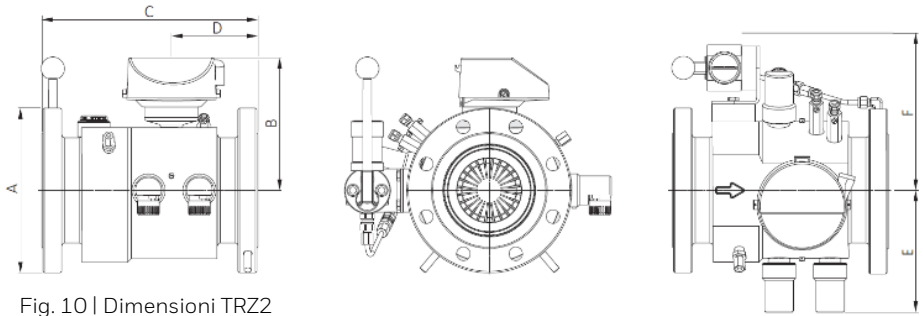


Fig. 10 | Dimensioni TRZ2

Dimensioni TRZ2

DN 50 (acciaio colato)

DN 50 – 150 (acciaio)

DN 80 – 150 (acciaio colato)

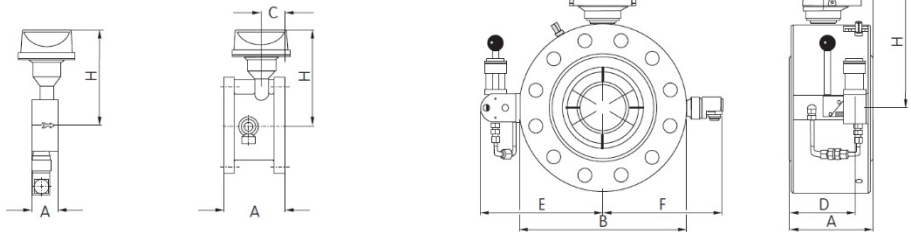


Fig. 11 | Dimensioni Q

5.2 Condizioni ambientali

Tipo:	TRZ2	Q
Temperatura ambiente	da -25 °C a +70 °C	
Temperatura di stoccaggio		
Umidità	da 0 a 80 % RH	
Altitudine max s.l.m.	2000 m	
Installazione in esterni	Sì	
Ambienti meccanici	M1	

Tabella 14 | Condizioni ambientali

5.3 Omologazioni*

Omologazione:	N° di omologazione:	Ente di omologazione:
MID	TRZ2: DE-09-MI002-PTB001	Physikalisch-Technische Bundesanstalt (PTB) Bundesallee 100 38116 Braunschweig Germania
PED	TRZ2: CE0085BM0200 Q: CE0085BM0267	DVGW Cert GmbH Germania Josef-Wirmer-Straße 1-3 53123 Bonn
ATEX	Ⓔ II 2G Ex h IIC T4 Gb 8000310657	TÜV Nord AG Am TÜV 1 30519 Hannover Germania
IECEX	Ex h IIC T4 Gb IECEX TUR 16.0043x	TÜV Rheinland Industrieservice GmbH Am Grauen Stein 51105 Köln Germania

Tabella 15 | Omologazioni

Legenda ATEX/IECEX:

Ⓔ	marcatura di protezione dalle esplosioni
II	gruppo di apparecchi: industria (escluse miniere)
2	categoria di apparecchi 2 (zona 1)
G	ambienti a rischio di esplosione per gas
h	tipo di protezione antincendio; protezione meccanica dalle esplosioni
IIC	gruppo di esplosione per gas
T4	classe di temperatura
Gb	livello di protezione apparecchiature

* È valido il contrassegno posto sull'apparecchio.

6. Appendice A – Standard e norme

I contatori gas a turbina soddisfano le norme e gli standard seguenti*:

TRZ2	Q		
X		2014/32/UE – allegato IV (MI-002)	Direttiva sugli strumenti di misura (MID)
X	X	2014/68/UE	Direttiva sulle attrezzature a pressione (PED)
X		DIN EN 12261: 2018	Misuratori di gas – Misuratori di gas a turbina
X	X	ISO 80079-36:2016-02 DIN EN ISO 80079-36:2016-12	Atmosfere esplosive – Parte 36: Apparecchi non elettrici destinati alle atmosfere esplosive – Metodo e requisiti di base
X	X	ISO 80079-37:2016-02 DIN EN ISO 80079-37:2016-12	Atmosfere esplosive – Parte 37: Apparecchi non elettrici destinati alle atmosfere esplosive – Tipo di protezione non elettrica per sicurezza costruttiva “c”, per controllo della sorgente di accensione “b”, per immersione in liquido “k”

* Validità delle norme corrispondenti al momento della stampa delle istruzioni d'uso.

7. Appendice B – Materie plastiche usate

I contatori gas a turbina contengono le seguenti materie plastiche:

Elementi in plastica	Sigla	Descrizione chimica
Trasmettitore d'impulsi	PA 6.6	Poliammide
Ingranaggio – completo	POM	Polioossimetilene
Ruote dentate e piccole parti	POM	Polioossimetilene
Coperchio del totalizzatore e totalizzatore	PC	Policarbonato
Parte inferiore del totalizzatore	PPA	Poliftalamide
Tamburelle	PA 12 PPO	Poliammide Ossido di polifenilene

8. Appendice C – Elenco tipi di gas

Media	Sigla	TRZ2	Q
Acetilene	C2H2	B1/B3	B1/B3
Ammoniaca	NH3	-	-
Argo	Ar	X	X
Etano	C2H6	B1	B1
Etilene	C2H4	X	X
Gas auto		B1	B1
Biogas		-	-
Butano (gassoso)	C4H10	B1	B1
Chimica / gas di raffineria		-	-
Metano, asciutto		X	X
Acido o vapore acetico		-	-
Forming gas	N2, H2	X	X
Elio	He	X	X
Isobutilene	C4H8	X	X
Gas di cokeria		B2	B2
Acido carbonico, asciutto	CO2	X	X
Gas di depurazione, asciutto/umido		-	-
Monossido di carbonio	CO	X	X
Aria / Aria compressa		B1	B1
Metano	C2H4	X	X
Pentano	C5H12	X	X
Propano (gassoso)	C3H8	X	X
Ossigeno	O2	-	-
Gas di città		X	X
Azoto	N	X	X
Idrogeno	H2	X**	X**
Diossido di zolfo	SO2	-	-
Idrogeno solforato	H2S	-	-

Legenda:

X Prodotto standard

(X) Possibile con durata limitata

- Non disponibile

B1 Con pompa dell'olio (serbatoio dell'olio)

B2 Corpo in acciaio

B3 $p_{max} = 1,5$ bar

*Solo gas asciutto

** Precisione metrologica garantita fino al 10 % di idrogeno miscelato a gas metano

Gebruiksaanwijzing
Turbinegasmeters en quantometers
Type TRZ2 · Q



Inhoud

1. Veiligheidsrichtlijnen	156
1.1 Bedoeld gebruik.....	157
1.2 Goedkeuringen en certificering*.....	157
1.3 Copyright en gegevensbescherming	158
1.4 Uitsluiting van aansprakelijkheid.....	158
1.5 Productaansprakelijkheid en garantie.....	159
1.6 Personeel	159
1.7 Gebruiksdoel en toepassingsgebied	159
1.8 Rechtelijke verklaringen.....	159
1.9 Recycling en milieubescherming	160
2. Opbouw en werking	161
2.1 Apparaatbeschrijving	162
2.2 Uitvoeringen van het telwerk	163
2.3 Temperatuurmeetpunten	164
2.4 Drukmeetpunten	165
3. Installatie en inbedrijfstelling	166
3.1 Leveringsomvang	166
3.2 Opslag	166
3.3 Transport.....	166
3.4 Voorwaarden voor de installatie.....	167
3.5 Inbouwpositie en doorstroomrichting	168
3.6 Montage	169
3.7 Eerste inbedrijfstelling/vullen met olie	170
4. Onderhoud	171
4.1 Reiniging	172
4.2 Reparatie/Deïnstallatie	173
4.3 Verwijdering van afvalstoffen	173
5. Technische gegevens	174
5.1 Afmetingen, gewichten en aansluitingen.....	175
5.2 Omgevingsomstandigheden	177
5.3 Goedkeuringen*	178
6. Supplement A – Standaards en normen.....	179
7. Supplement B – Toegepaste kunststoffen	179
8. Supplement C – Gassoortenlijst.....	180

Informatie over de documentatie

Op de internetpagina van Honeywell kan de nieuwste versie van de gebruiksaanwijzing gedownload worden.

Om verwondingen van de gebruiker resp. schade aan het apparaat te voorkomen, is het noodzakelijk, dat u de informatie in dit document aandachtig leest. Bovendien moeten de geldende nationale standaards, veiligheidsbepalingen en de voorschriften voor ongevallenpreventie nageleefd worden.

Neem voor ondersteuning contact op met de plaatselijke vestiging van Honeywell, wanneer u problemen heeft om de inhoud van dit document te begrijpen. Honeywell kan geen verantwoordelijkheid aanvaarden voor materiële schade of letselschade, die ontstaat doordat de informatie in dit document niet goed begrepen is.

Dit document helpt u om de bedrijfsomstandigheden zo in te richten, dat het veilig en efficiënt gebruik van het apparaat gewaarborgd is. Bovendien worden in dit document de in acht te nemen punten en veiligheidsvoorzieningen beschreven, die telkens in combinatie met de volgende symbolen verschijnen.



WAARSCHUWING of OPGELET

Dit teken staat voor gevaarlijke situaties. De aanwijzingen moeten worden opgevolgd, anders kan er gevaar voor mens en milieu ontstaan of het meetapparaat kan beschadigd raken.



INFORMATIE of AANWIJZING

Wanneer informatie of aanwijzingen met dit teken genegeerd worden, kan een nauwkeurige meting niet worden gewaarborgd.

1. Veiligheidsrichtlijnen



WAARSCHUWING!

Gevaar door elektrostatische ontlading – gebruik alleen een vochtige doek om te reinigen.



WAARSCHUWING!

Wanneer het gevaar bestaat, dat het apparaat door vallende voorwerpen met scherpe randen, scherpe of zware voorwerpen beschadigd kan raken, is de exploitant verplicht het apparaat te beschermen.



WAARSCHUWING!

Gezondheidsgevaaren die tot een chemische reactie tussen de delen van het meetapparaat en chemische substanties in de omgeving leiden, moeten met de fabrikant afgesproken en verwijderd worden.



WAARSCHUWING!

Het meetapparaat moet via de geaarde buisleiding in de potentiaalvereffening geïntegreerd worden.



WAARSCHUWING!

Wanneer u geurmiddelen wilt bijmengen of magneetkleppen wilt gebruiken, moeten deze pas achter de meter worden aangebracht. Anders kunnen beschadigingen aan het apparaat ontstaan.



WAARSCHUWING!

Er mogen geen zwevende deeltjes > 50 µm in het gas aanwezig zijn en het gas moet droog zijn. Anders kan de meter beschadigd raken.



INFORMATIE!

De stroming door de meter moet vrij van trillingen en pulsen zijn om foute metingen te voorkomen.



INFORMATIE!

Voor het betrouwbare functioneren van de meter en de bijkomende apparatuur moeten de op het typeplaatje aangegeven bedrijfs- en omgevingscondities onder alle omstandigheden worden aangehouden.

1.1 Bedoeld gebruik



OPGELET!

De verantwoording voor het gebruik van de meter voor wat betreft de geschiktheid, het doelmatig gebruik en de corrosiebestendigheid van de gebruikte materialen in combinatie met het te meten medium ligt uitsluitend bij de exploitant.



INFORMATIE!

De fabrikant is niet aansprakelijk voor schade die veroorzaakt is door ondeskundig of oneigenlijk gebruik van het apparaat.

1.2 Goedkeuringen en certificering*

CE-markering / EU-conformiteitsverklaring



De fabrikant certificeert de conformiteit in de EU-conformiteitsverklaring en door het aanbrengen van de CE-markering.

Dit meetapparaat voldoet aan de wettelijke eisen van de betreffende EU-richtlijnen.

Uitvoerige informatie over de toegepaste EU-richtlijnen en -normen evenals de erkende certificeringen staat in de EU-conformiteitsverklaring.

De EU-conformiteitsverklaring is bij de levering inbegrepen of kan online op www.docuthek.com worden gedownload.

> **Overige goedkeuringen en richtlijnen, zie hoofdstuk 5.3 Goedkeuringen en Supplement A – Standaards en normen**

ATEX/IECEx



GEVAAR!

De turbinegasmeters en quantometers zijn geschikt voor het gebruik in zone 1 op plaatsen waar ontploffingsgevaar kan heersen en zijn volgens de volgende certificering (IECEx) en eigen verklaring van de fabrikant (ATEX) toegelaten:

Ex II 2G Ex h IIC T4 Gb

IECEx TUR 16.0043x (IECEx)

8000310657 (ATEX)

TÜV Rheinland Industrieservice GmbH
Am Grauen Stein | 51105 Köln |
Duitsland

TÜV Nord AG
Am TÜV 1 | 30519 Hannover | Duitsland

* De aanduiding op het apparaat is van toepassing.

1.3 Copyright en gegevensbescherming

Dit document werd met de grootste zorgvuldigheid opgesteld. Voor de juistheid, volledigheid en actualiteit van de inhoud wordt echter geen aansprakelijkheid aanvaard.

De opgestelde inhoud en werken in dit document vallen onder het auteursrecht. Bijdragen van derden zijn als zodanig gekenmerkt. Voor de verveelvoudiging, bewerking, verspreiding en elke vorm van gebruik buiten de grenzen van het auteursrecht is de schriftelijke toestemming van de betreffende auteur resp. de fabrikant vereist. De fabrikant spant zich in, om steeds op de auteursrechten van anderen te letten resp. gebruik te maken van zelf opgestelde en royalty-vrije werken.

Wij wijzen erop, dat de datatransmissie op internet (bijv. bij de communicatie per e-mail) veiligheidshiaten kan vertonen. Een volledige bescherming van de gegevens voor toegang door derden is niet mogelijk.

1.4 Uitsluiting van aansprakelijkheid

De fabrikant is niet aansprakelijk voor schade van welke aard dan ook, die door het gebruik van dit product ontstaat, inclusief maar niet beperkt tot directe, indirecte of incidentele schade en gevolgschade.

Deze uitsluiting van aansprakelijkheid geldt niet, wanneer de fabrikant opzettelijk of grof nalatig gehandeld heeft. Mochten door een geldende wet dergelijke beperkingen van de stilzwijgende aansprakelijkheid of van de uitsluiting resp. beperking van bepaalde schadevergoedingen niet toegestaan zijn en mocht een dergelijk recht voor u gelden, kunnen de hierboven vermelde uitsluiting van aansprakelijkheid, de uitsluitingen of beperkingen voor u deels of volledig ongeldig zijn.

Voor elk verworven product gelden de garantie volgens de betreffende productdocumentatie evenals de verkoop- en leveringsvoorwaarden van de fabrikant.

De fabrikant behoudt zich het recht voor, de inhoud van de documenten, inclusief deze uitsluiting van aansprakelijkheid, op elke wijze en op elk moment, om welke reden dan ook, onaangekondigd te veranderen en is op geen enkele wijze voor mogelijke gevolgen van dergelijke wijzigingen aansprakelijk.

1.5 Productaansprakelijkheid en garantie

De verantwoording of de meetapparaten voor het betreffende gebruiksdoel geschikt zijn, ligt bij de exploitant. De fabrikant aanvaardt geen aansprakelijkheid voor de gevolgen van verkeerd gebruik door de exploitant. Het ondeskundig installeren of bedienen van de meetapparaten (-systemen) leidt tot verlies van garantie. Bovendien gelden de betreffende “Algemene handelsvoorwaarden”, die de basis van de koopovereenkomst vormen.

1.6 Personeel

Deze **handleiding is gericht op personeel** dat op grond van zijn opleiding en ervaring op het gebied van de energie- en gasvoorziening over voldoende vak- en zaakkennis beschikt (bijv. in Duitsland overeenkomstig DVGW-werkbladen 492 en 495 of vergelijkbare technische regels).

1.7 Gebruiksdoel en toepassingsgebied

De modelreeks TRZ2 is bestemd voor de comptabele volumemeting. De modelreeks Q is bestemd voor de niet-comptabele volumemeting. De apparaten zijn geschikt voor het meten van de volgende media:

- brandbare gassen: aardgas/stadsgas/propanaan/butaan
- niet brandbare gassen: lucht/stikstof/edele gassen
- Andere toepassingsgebieden/media, zie Supplement C – Gassoortenlijst of op aanvraag

Dit product is **niet** bedoeld voor

- de meting van agressieve gassen, bijv. bio- of rioolgassen, zuurstof, acetyleen.

1.8 Rechtelijke verklaringen

- De meettechnische conformiteitsbeoordeling is afhankelijk van de voorschriften die gelden in het land waarin het meetapparaat wordt gebruikt.
- De geldigheid van de ijking is afhankelijk van de voorschriften die gelden in het land waarin het meetapparaat wordt gebruikt.

1.9 Recycling en milieubescherming

Honeywell heeft de transportverpakkingen van de meetapparaten op een milieuvriendelijke manier ontworpen. Bij de keuze ervan wordt consequent op mogelijk hergebruik gelet. De gebruikte kartonnages zijn secundaire stoffen van de karton- en papierindustrie. De Instapak®-schuimverpakkingen zijn recyclebaar en herbruikbaar.

Folies en banden zijn eveneens van voor recycling geschikt plastic. Bij Honeywell is het laten recyclen en het afvoeren een onderdeel van de productontwikkeling. Bij de keuze van de materialen wordt met de herbruikbaarheid rekening gehouden en ook met de demonteerbaarheid en sorteerbaarheid van materialen en componenten en met de risico's voor milieu en gezondheid bij recycling en afvoer. De meetapparaten bestaan grotendeels uit metalen grondstoffen die in staalfabrieken en hoogovens weer kunnen worden ingesmolt en daardoor nagenoeg onbeperkt herbruikbaar zijn. De toegepaste kunststoffen zijn in Supplement B vermeld, zodat ze voor het sorteren en fractureren t.b.v. latere recycling voorbereid zijn.

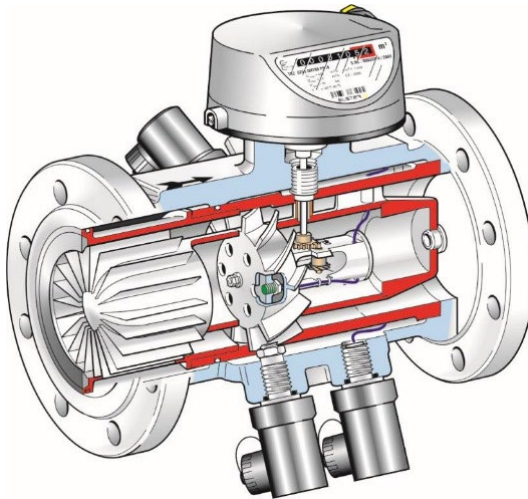
De meegeleverde olie moet zoals alle minerale oliën (bijv. olie voor motorvoertuigen) milieuvriendelijk worden verwijderd.

2. Opbouw en werking

Werkingsprincipe

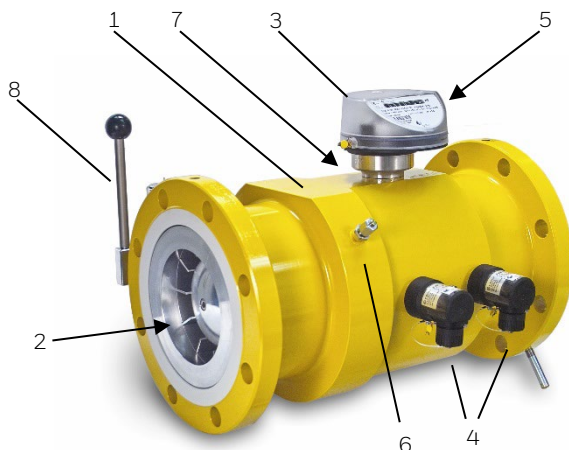
Het de meter instromende gas brengt het meetwiel in rotatie, waarbij het toerental proportioneel aan het doorstroomde actuele volume is. De in de meter binnenkomende gasroom wordt versneld door de speciaal geconstrueerde gelijkrichter, die zich direct bij de meteringang bevindt. De gelijkrichter is zo ontworpen dat eventuele stromingsinvloeden zoals wervelingen of asymmetrische stroming geëlimineerd worden. Dit maakt ook bij een geringe doorstroming een grote meetnauwkeurigheid binnen de toelaatbare toleranties mogelijk.

Het toerental van het roterende meetwiel wordt door een aandrijving gereduceerd. Een met de aandrijving verbonden overbrengingsas drijft via een magneetkoppeling het 8-cijferige, mechanische rollentelwerk in de drukloze telwerkkop aan. Na het meetwiel verlaat het gas de meter door een voor de stroming geoptimaliseerd uitgangskanaal, dat voor maximaal drukherstel ontworpen is.



Afb. 1 | Dwarsdoorsnede turbinegasmeter

2.1 Apparaatbeschrijving



Afb. 2 | TRZ2 turbinegasmeter

1	Meterhuis	5	LF-impulsgever (optioneel)
2	Meetpatroon	6	Drukmeetpunt
3	Telwerkkop	7	Temperatuurmeetpunt(en)
4	HF-impulsgever (optioneel)	8	Oliepomp (optioneel)

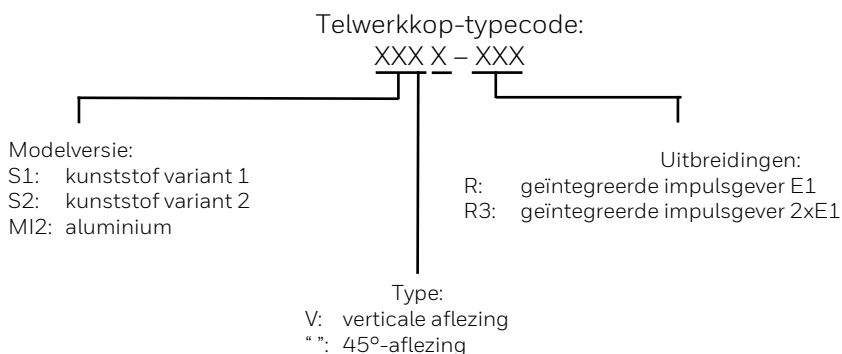
Voor ondersteuning bij inbedrijfstelling, onderhoud en installatie van bijv. encoders, impulsgevers of volumehandleidingsinstrumenten kunt u contact op nemen met de lokale servicedienst van Honeywell. Reparaties mogen alleen door bevoegde werkplaatsen worden uitgevoerd.

2.2 Uitvoeringen van het telwerk

De meter kan met telwerken van verschillende uitvoeringen uitgerust zijn:



Afb. 3 | Voorbeeld telwerkkoppen (links: MI-2, midden: S1, rechts: S1V)



Eigenschap:	S1	S1V	MI-2
Mechanisch rollentelwerk, 8-cijferig	•	•	•
Telwerkkop 355° draaibaar	•	•	•
Beschermingsklasse IP67	•	•	•
45°-aflezing	•	-	•
Verticale aflezing	-	•	•
Aansluiting voor ext. impulsgever IN-Sxx/IN-Wxx	•	•	•
S1xR int. reed-contact impulsgever	-	•	-
Optioneel: droogpatroon	-	-	•
Optioneel: ENCODER	•	•	-

Tabel 1 | Overzicht van de verschillende telwerkuitvoeringen

2.3 Temperatuurmeetpunten



Afb. 4 | Temperatuur- en drukmeetpunten

Voor de meting van de gastemperatuur kunnen temperatuuropnemers in een temperatuuropnemer houder in de behuizing van de gasmeter ingezet worden. Daarvoor zijn bij turbinegasmeters optioneel (afhankelijk van de uitvoering van de meter) maximaal twee temperatuuropnemer houders beschikbaar. Bij quantometers zijn geen temperatuurmeetpunten aangebracht. Het aantal en de uitvoering van de temperatuuropnemer houders vindt u in de volgende tabel:

Max. sensor- Ø	TRZ2 DN	Behuizings- materiaal	PN 10/16 EBL	PN 25/40 EBL	Class 150 EBL	Class 300 EBL	Class 600 EBL
6mm	TRZ2 Standard Line						
	80	GGG	27 (1x)	-	27 (1x)	-	-
	100	GGG	27 (1x)	-	27 (1x)	-	-
	150	GGG	27 (1x)	-	27 (1x)	-	-
	TRZ2 Premium Line						
	50	GGG/ST	-	-	-	-	-
	80	GGG	45 (2x)	-	45 (2x)	-	-
		ST	45 (2x)	45 (1x)	45 (2x)	45 (1x)	45 (1x)
	100	GGG	50 (2x)	-	50 (2x)	-	-
		ST	50 (2x)	50 (1x)	50 (2x)	50 (1x)	50 (1x)
	100/ 150	GGG	67 (2x)	-	67 (2x)	-	67 (2x)
		ST	67 (2x)	67 (2x)	67 (2x)	67 (2x)	67 (2x)
	150	GGG	50 (2x)	-	50 (2x)	-	-
ST		50 (2x)	50 (2x)	50 (2x)	50 (2x)	50 (2x)	

Tabel 2 | Temperatuuropnemers in de TRZ2

GGG = gietijzer met kogelgrafiet

ST = staal

EBL = afgeronde inbouw lengte van de temperatuuropnemer houder in mm

Als er geen temperatuurmeetpunten in het meterhuis aanwezig zijn, dan moeten de externe temperatuurmetingen in de buisleiding achter de gasmeter op een afstand tot 3 x DN, maximaal echter 600 mm, aangebracht zijn.



ATTENTIE!

- *Bij meetinstallaties buiten kan het meetresultaat door de omgevingstemperatuur worden beïnvloed.*
- *Meetelementen buiten de buisleiding voldoende tegen invloeden van de omgevingstemperatuur isoleren.*
- *Om een optimale warmtegeleiding te bereiken, moet u de temperatuuropnemer houder(s) met een warmtegeleidende vloeistof of pasta vullen.*

2.4 Drukmeetpunten

Als drukmeetpunt, bijv. voor de aansluiting van een druksensor, is op het meterhuis een “rechte schroefdraadpijpverbinder” volgens DIN 2353 aangebracht. Deze is met pm/pr gekenmerkt en voor de aansluiting van stalen buizen Ø 6 mm volgens DIN EN 10305-1 (bijv. staalsoort E235) of flexibele drukslangen van Honeywell aangebracht.



OPGELET!

- *Kan de bedrijfszekerheid in gevaar brengen!*
- *De betrouwbare werking is alleen gegarandeerd wanneer de materiaalcombinatie van schroefdraadpijpverbinder en buis bij elkaar passen.*
- *De rechte schroefdraadpijpverbinder mag niet op buizen van roestvrij staal of op buizen gemaakt van non-ferromateriaal aangesloten worden.*



ATTENTIE!

- *Uitsluitend originele Parker-Ermeto / Voss schroefdraadpijpverbindingen gebruiken.*
- *Voor ombouw en installatie van bijkomende apparatuur adviseren wij contact op te nemen met de lokale servicedienst van Honeywell.*

3. Installatie en inbedrijfstelling



INFORMATIE!

Controleer de paklijst, om vast te stellen, of u uw bestelling compleet ontvangen heeft. Controleer aan de hand van de typeplaatjes, of het geleverde apparaat overeenkomt met uw bestelling.



INFORMATIE!

Controleer de verpakkingen zorgvuldig op schade resp. tekenen die duiden op een ondeskundig hantering. Meld eventuele schade bij de transporteur en bij de lokale vertegenwoordiger van de fabrikant.



INFORMATIE!

Het montage materiaal en het gereedschap zijn niet bij de levering inbegrepen. Gebruik montage materiaal en gereedschap volgens de geldende Arbo- en veiligheidsvoorschriften.

3.1 Leveringsomvang

- > Besteld meetapparaat
- > Gebruiksaanwijzing
- > Productdocumentatie
- > Olie – Shell Risella 917, Shell Catenex T121 of Klüber ISOFLEX PDP 38 (bij oliegesmeerde meters)
- > Optionele toebehoren afhankelijk van de bestelling
- > Optioneel: kalibreringscertificaat

3.2 Opslag

- > Het apparaat op een droge en stofvrije plaats opslaan.
- > Direct permanent zonlicht vermijden.
- > Het apparaat in de originele verpakking opslaan.
- > Opslagtemperatuur: -25 tot +70°C / -13 tot +158°F.

3.3 Transport

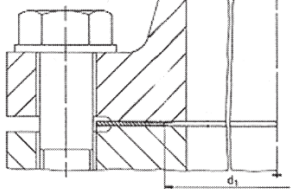


INFORMATIE!

Het meetapparaat niet aan de telwerkkop optillen.

3.4 Voorwaarden voor de installatie

- Beschermkappen en folies verwijderen.
- Meter en toebehoren op transportschade controleren.
- Door licht met lucht uit te blazen controleren of het meetwielte licht loopt.
- Zorg ervoor, dat alle vereiste gereedschappen beschikbaar zijn.
- De toebehoren op volledigheid controleren (bijv. connectors, olie voor de eerste vulling).
- Afdichtingen, die voor het gebruik met uw bedrijfsmedium geschikt zijn (voorbeelden, zie tabel 4). Let er met name op of u eventueel binnen het geldingsbereik van andere normen, bijv. DIN EN 1591, Deel 1 – 4, valt.

	DN	d1 [mm]	Geschikt zijn onder andere: - platte afdichtingen - spiraalafdichtingen - kamgeprofileerde afdichtingen
	50	62	
	80	100	
	100	125	
	150	178	

Tabel 4 | Geschikte afdichtingen

- Zeskantschroeven en moeren voor flenzen conform DIN EN 1092-1

Materiaal/vastheidsklasse		Toepassingsgrenzen	Normen
Schroef	Moer		
5.6	5	tot 40 bar tot -10°C	DIN ISO 4014
8.8	8		DIN ISO 4032
CK 35	CK 35	tot 100 bar tot -10°C	DIN 2510
25CrMo4	25CrMo4	tot 100 bar tot -25°C	EN 10269

Tabel 5 | Geschikte schroeven

- Draadbouten met doorlopende schroefdraad voor flenzen conform ASME B 16.5

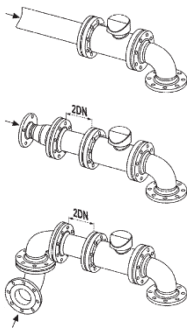
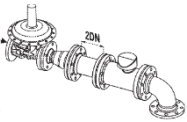
Materiaal/vastheidsklasse		Toepassingsgrenzen	Normen
Schroef	Moer		
A 193 B6	A 194 Gr. 6	tot 100 bar / 0°C	ASME B 1.1
A 193 B7	A 194 Gr. 2H	tot 100 bar / -25°C	

Tabel 6 | Geschikte draadbouten

- Andere gelijkwaardige materialen kunnen eveneens worden gebruikt.

3.5 Inbouwpositie en doorstroomrichting

- Installeer de turbinegasmeter/quantometer bij voorkeur in horizontale positie met het telwerk naar boven gericht.
- De toelaatbare inbouw-/bedrijfsposities van de meter zijn op het hoofdplaatje conform de volgens DIN EN 12261 aangegeven benamingen “H”, “V” of “H/V” (H = horizontaal, V = verticaal) aangegeven. Wanneer bij de bestelling de inbouw- c.q. bedrijfsposities aangegeven worden, dan worden door de fabriek alle onderdelen overeenkomstig de inbouwpositie gemonteerd.
- In verband met de meetnauwkeurigheid moet de lengte van het inlaatstuk bij TRZ2 minstens tweemaal de nominale diameter zijn. Bij TRZ2 DN 50 is een inlaatstuk van $\geq 5 \times DN$ vereist.
- Het inlaatstuk moet een rechte buis zijn met dezelfde nominale diameter als de meter.
- De lengte van het uitlaatstuk bedraagt minimaal $1 \times DN$ van dezelfde nominale diameter.

Stromingsstoringen	Typische inlaatstukken Installatie van een rechte pijpleiding over een afstand van $2D$ voor de meter	TRZ2	Q
Geringe storingen - Eenvoudig bochtstuk - Dubbele bocht - Diffuser		$L \geq 2D$ geen gelijkrichter	$L \geq 5D$
Sterke storingen - Gasdrukregelaar - Andere restrictie-elementen		$L \geq 2D$ geen gelijkrichter	$L \geq 5D$ gelijkrichter wordt aanbevolen

Tabel 7 | Inlaatstukken

3.6 Montage

**OPGELET!**

Voor de montage van flensverbindingen absoluut op de voor uw locatie geldende veiligheids- en arbeidsveiligheidsvoorschriften letten.

**OPGELET!**

Monteurs voor flensverbindingen in het geldingsbereik van de richtlijn voor drukapparatuur moeten over een betreffende kwalificatie (bijv. conform EN 1591-4) beschikken.

**OPGELET!**

Als bescherming voor de meter raden wij een kegelzeef met een maaswijdte van 250 μ m aan. Bij inbouw van de meter in verticale positie en met een doorstroomrichting van onder naar boven moet een zeef op de ingang ingebouwd worden, evenals een zeef op de uitgang van de meter (bescherming tegen terugvallend vuil). De kegelzeef na ca. 4 – 6 weken weer verwijderen, omdat deze evt. na deze tijd verzadigd is en dus als stromingsobstakel werkt.

- Let bij het inbouwen op de doorstroomrichting die op de telwerkkop of het meterhuis aangegeven is.
- Bij verticale inbouw achteraf moet de oliepomp (indien aanwezig) verticaal naar boven staan. Als dit niet het geval is, dan moet u voor het inbouwen van de meter de oliepomp en de olie aanleidingen en eventueel ook andere onderdelen zoals volumehetleidingsinstrumenten 90° draaien.
- Afdichtingen concentrisch tussen de flenzen plaatsen en erop letten, dat ze niet in het stromingskanaal uitsteken.
- De meter met schroeven volgens tabel 5/6 aandraaien.
- Erop letten, dat de meter spanningsvrij uitgelijnd is.
- Meegeleverde toebehoren monteren.
- Het is raadzaam, de meter tegen weer en wind beschermd te plaatsen of een dergelijke bescherming te monteren.

3.7 Eerste inbedrijfstelling/vullen met olie



OPGELET!

Voor de inbedrijfstelling moeten meters met een oliepomp de eerste keer worden gesmeerd (> zie “Vullen met olie”).



OPGELET!

De olietank moet tijdig met olie gevuld worden, opdat er geen lucht in het leidingsysteem terechtkomt. Alleen verse, zuivere olie gebruiken. De olietank moet na het vullen direct goed gesloten worden, opdat er geen vuil of water binnendringen kan.



ATTENTIE!

Andere hars- en zuurvrije oliën met een viscositeit van ca. 30 mm²/s bij 20°C, stolpunt lager dan -30°C of gelijkwaardige oliën kunnen worden gebruikt. Bij speciale gassen als bijv. propaan, butaan of zware bedrijfsomstandigheden (bijv. volledig belaste werking of vervuilde gassen) moeten de smeerintervallen gehalveerd worden (om de 1,5 – 2 maanden).

Bij gasmeters zonder oliepomp kan het punt “Vullen met olie” overgeslagen worden (verder bij “Inbedrijfstelling”).



Afb. 5 | Olietank

Vullen met olie:

- > Deksel van de olietank openen (zie afb. 5).
- > Vullen van de olietank met de meegeleverde olie.
- > De hoeveelheid olie is voldoende wanneer het oliepeil in de filterzeef te zien is.
- > De oliepomp moet als volgt gebruikt worden:

Eerste inbedrijfstelling		
Metergrootte:	Aantal slagen:	
	Oliepomp met handhefboom (Premium Line)	Oliepomp met drukknop (Standard Line)
DN 50	3	6
DN 80 / DN 100	5	10
DN 150	7	14

Tabel 8 | Eerste inbedrijfstelling



Afb. 6 | Oliepomp met handhefboom

Inbedrijfstelling:

- **i** De installatie langzaam vullen totdat de bedrijfsdruk bereikt is.
- De druktoename mag 350 mbar/s niet te boven gaan.
- Voor het vullen moet een bypassleiding gebruikt worden (aanbeveling: 12 mm buisdiameter).
- Meetbereik van de gasmeter ook niet kortdurend overschrijden!
- Vervolgens moet een lektest uitgevoerd worden!



Afb. 7 | Oliepomp met drukknop

4. Onderhoud**INFORMATIE!**

Meters zonder oliepompe zijn onderhoudsvrij.

**ATTENTIE!**

Meters met oliepompe moeten om de 3 tot 4 maanden worden gesmeerd. Bij speciale gassen als bijv. propaan, butaan of zware bedrijfsomstandigheden (bijv. volledig belaste werking of vervuilde gassen) moeten de smeerintervallen gehalveerd worden (om de 1,5 – 2 maanden).

**OPGELET!**

De olietank moet tijdig met olie gevuld worden, opdat er geen lucht in het leidingsysteem terechtkomt. Alleen verse, zuivere olie gebruiken. De olietank moet na het vullen direct goed gesloten worden, opdat er geen vuil of water binnendringen kan.

**ATTENTIE!**

Andere hars- en zuurvrije oliën met een viscositeit van ca. 30 mm²/s bij 20°C, stolpunt lager dan -30°C of gelijkwaardige oliën kunnen worden gebruikt.

- Alvorens de hefboom/drukknop van de oliepomp te bedienen, moet het deksel van de olietank geopend worden.
- Controle van de hoeveelheid olie: in de olietank moet voldoende olie aanwezig zijn. Het oliepeil moet in de filterzeef zichtbaar zijn.
- De meter moet werken, d.w.z. het meetwielletje moet draaien.
- Gebruik van de oliepomp met de hand volgens tabel 9. De hefboom gelijkmatig tot de aanslag trekken of de drukknop volledig tot de aanslag indrukken. Een bediening komt overeen met een zuigerslag van de pomp.
- Na de bediening moet u de olietank weer stevig afsluiten.

Onderhoudsinstructie		
Metergrootte:	Aantal slagen:	
	Oliepomp met handhefboom (Premium Line)	Oliepomp met drukknop (Standard Line)
DN 50	2	4
DN 80 / DN 100	4	8
DN 150	6	12

Oliesoorten	
Oliesoort:	Gebruikstemperatuurbereik:
Shell Catenex T 121	-10°C tot +70°C
Klüber ISOFLEX PDP 38	-25°C tot +70°C

Tabel 9 | Onderhoudsinstructie

4.1 Reiniging



WAARSCHUWING!

Gevaar door elektrostatische ontlading – gebruik alleen een vochtige doek om te reinigen.



GEVAAR!

- *Ontploffingsgevaar door elektrostatische ontlading.*
- *Er bestaat ontploffingsgevaar wanneer de kunststof kap van het telwerk met een droge doek gereinigd wordt.*
- *Het gebruik van agressieve chemische reinigingsmiddelen of oplosmiddelen om te reinigen is verboden.*
- *Om de kunststofdelen te reinigen mag uitsluitend water worden gebruikt.*

4.2 Reparatie/Deïnstallatie



GEVAAR!

Onderhoudswerkzaamheden alleen met een drukloze gasleiding uitvoeren.



INFORMATIE!

Reparaties mogen alleen door bevoegde werkplaatsen worden uitgevoerd.

Buitenbedrijfstelling:



- De druk van de gasleiding langzaam verlagen (maximaal 350 mbar/s).
- De drukloze toestand van de gasleiding controleren.
- De schroefverbindingen losmaken en de meter demonteren.

4.3 Verwijdering van afvalstoffen

Turbinegasmeters bestaan grotendeels uit metalen grondstoffen die in staalfabrieken en hoogovens weer kunnen worden ingesmolten en daardoor nagenoeg onbeperkt herbruikbaar zijn. De toegepaste kunststoffen zijn in Supplement B vermeld, zodat ze voor het sorteren en fractureren t.b.v. latere recycling voorbereid zijn.

De meegeleverde olie moet zoals alle minerale oliën (bijv. olie voor motorvoertuigen) milieuvriendelijk worden verwijderd.

5. Technische gegevens

Type:	TRZ2	Q
Grootte	G65 tot G1000	
Nominale diameter	DN 50 – DN 150	
Bedrijfsdruk	Max. 100 bar*	
Gastemperatuur	-25°C tot +70°C**	
Behuizingsmateriaal	Gietijzer met kogelgrafiet of staal	
Beschermingsklasse	IP67	
Gemeten media	Aardgas en verschillende gefilterde, niet agressieve gassen	
Metrologische nauwkeurigheidsklasse	1,0	-

Tabel 10 | Technische gegevens

* De informatie op het typeplaatje geldt al naar gelang de drukklasse.

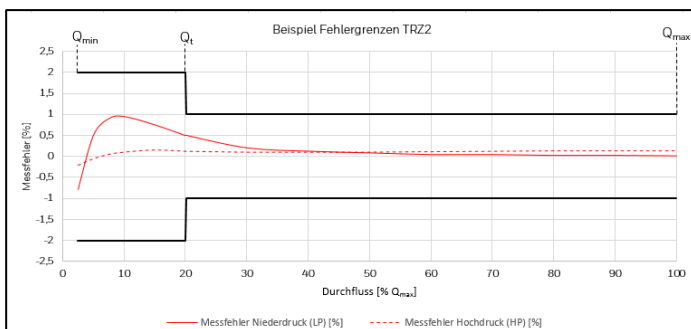
** Afwijkende temperatuurgrenzen voor andere meetbereiken (geldige gegevens, zie typeplaatje)

Toleranties

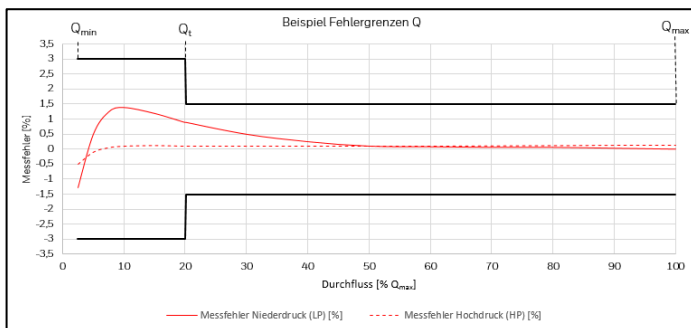
Maximaal toelaatbare toleranties conform EN 12261

$\pm 1,0\%$ voor Q_t tot Q_{max}

$\pm 2,0\%$ voor Q_{min} tot Q_t



Afb. 8 | Toleranties TRZ2



Afb. 9 | Toleranties Q

5.1 Afmetingen, gewichten en aansluitingen

Vermogengegevens en afmetingen TRZ2

TRZ2	Nominale diameter	DN	50	80	80	80	80	100	100	100	100	150	150	150	150	
			65	100	160	250*	160	250	400*	250	400	650*	1000*			
Meettechniek	Metergrootte	Q _{min}	5	8	12,5	20	12,5	20	32	20	32	20	32	50	80	
	Meetbereik (1:20)	Q _{max}	100	160	250	400	250	400	650	400	650	1000	1000	1600	1600	
	Δp** bij Q _{max}	[mbar]	11	2	5	12	2	5	13	1	2	6	15	15	15	
-25°C tot +70°C***																
	Temperatuurbereik	PN 10, 16, 25, 40, 64, 100 / ANSI 150, 300, 600														
Behuizing**	Drukklassen	A [mm]	165	215	215	215	273	273	273	273	356	356	356	356	356	356
		B [mm]	155	172	172	172	185	185	185	185	210	210	210	210	210	210
		C [mm]	150	240	240	240	300	300	300	300	450	450	450	450	450	450
		D [mm]	75	100	100	100	120	120	120	120	180	180	180	180	180	180
		E [mm]	135	157	157	157	170	170	170	170	193	193	193	193	193	193
		F [mm]	280	200	200	200	210	210	210	210	235	235	235	235	235	235
Gewicht [kg]**	PN 10/16, ANSI 150	GGG	10	21	21	21	29	29	29	53	53	53	53	53	53	
	PN 25/40, ANSI 300	Staal	13	32	32	32	50	50	50	91	91	91	91	91	91	
	PN 64/100, ANSI 600	Staal	15	33	33	33	50	50	50	97	97	97	97	97	97	
Uitgangen impulswaarden*** [imp/m ³]	LF-type E1 (IN-Sxx)		10	1	1	1	1	1	1	1	1	1	1	1	1	
	HF-type A1R (P+F, NJ)		28000	10500	10500	10500	6630	6630	6630	6630	6630	6630	6630	2560	2560	
	HF-type A1S (IFM, N95000)		-	21000	21000	21000	13260	13260	13260	13260	-	5120	5120	5120	5120	

* Meter ook in het meetbereik 1:30 leverbaar

** Δp voor aardgas bij 1 bar abs.

*** Geringe afwijkingen mogelijk

**** Afwijkende temperatuurgrenzen voor andere meetbereiken (geldige gegevens, zie typeplaatje)

Tabel 12 | Vermogengegevens en afmetingen TRZ2

Vermogengegevens en afmetingen Q

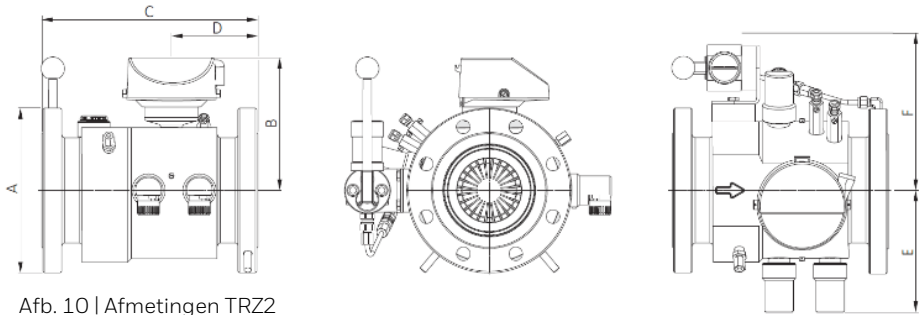
Q	Nominale diameter		DN	50 / 2"	80 / 3"	80 / 3"	80 / 3"	100 / 4"	100 / 4"	DN 150 / 6"	DN 150 / 6"	DN 150 / 6"									
	Metergrootte	G		65	100	160	250	400	400	400	650	100									
Meettechniek	Meetbereik		Q _{min}	6	10	13	20	20	32	32	50	80									
	ΔP ^{**} bij Q _{max}		Q _{max}	100	160	250	400	400	650	650	1000	1600									
			[mbar]	12	2	5,3	13,6	58	13,1	2,6	6,5	168									
	Temperatuurbereik			-25°C tot +60°C (Q _{min} = 8 m³/h), -10°C tot 55°C (Q _{min} = 8 m³/h)																	
	Temperatuurbereik			-25°C tot +60°C (staal), -20°C tot +60°C (GGG40)																	
	Drukklassen			PN 10, 16, 25, 40, 64, 100 / ANSI 150, 300, 600																	
Behuizing ^{***}	A [mm]	GGG 40 ^{†**}	60/150	120	120	120	120	150	150	175/180	175/180	175/180									
		Staal	150	120	120	120	150	150	175/180	175/180	175/180										
	B [mm]	GGG 40 ^{**}	Volgens flensklasse																		
		Staal [*]																			
	C [mm]	GGG 40 ^{**}											75	52	52	52	57	57	76	76	76
		Staal [*]											75	52	52	52	57	57	73	73	73
	D [mm]	GGG 40 ^{**}											-	-	-	-	-	-	-	-	-
		Staal [*]											75	74	74	74	104	104	138	138	138
	E [mm]	GGG 40 ^{**}											-	-	-	-	-	-	-	-	-
		Staal [*]											198	185	185	217	217	260	260	260	
	F [mm]	GGG 40 ^{**}											143	158	158	170	170	195	195	195	
		Staal [*]											134	180	180	211	211	253	253	253	
	H [mm]	GGG 40 ^{**}											170	190	190	200	200	225	225	225	
Staal [*]		165											193	193	230	230	272	272	272		
Gewicht [kg] ^{***}	PN 10/16, ANSI 150												GGG 40	4	13	13	13	15	15	28	28
			Staal	14	24	24	24	38	38	56	56										
	PN 25/40, ANSI 300		Staal	15	26	26	26	48	48	77	77										
Uitgangen impuls waarde n ^{***} [imp/m³]	PN 64/100, ANSI 600		Staal	16	27	27	27	53	53	96	96										
	LF-type E1 (IN-Sxx)			10	1	1	1	1	1	1	1										
	HF-type A1R (P+F, NJ)			28000	10500	10500	10500	6630	6630	2560	2560										
	HF-type A1S (IFM, N95000)			-	-	-	-	-	-	-	-										

* Sandwich constructie

** Geen oliesmering mogelijk

*** Geringe afwijkingen mogelijk

Tabel 13 | Vermogengegevens en afmetingen Q

Afmetingen TRZ2

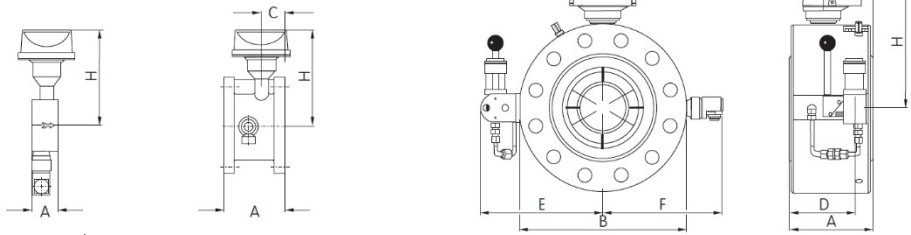
Afb. 10 | Afmetingen TRZ2

Afmetingen TRZ2

DN 50 (gietstaal)

DN 80 – 150 (gietstaal)

DN 50 – 150 (staal)



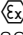
Afb. 11 | Afmetingen Q

5.2 Omgevingsomstandigheden

Type:	TRZ2	Q
Omgevingstemperatuur	-25°C tot +70°C	
Opslagtemperatuur		
Vocht	0 tot 80% RH	
Max. hoogte boven zeeniveau	2000 m	
Externe installatie	ja	
Mechanische omgevingen	M1	

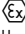
Tabel 14 | Omgevingsomstandigheden

5.3 Goedkeuringen*

Goedkeuring:	Goedkeuringsnummer:	Goedkeuringskantoor:
MID	TRZ2: DE-09-MI002-PTB001	Physikalisch-Technische Bundesanstalt (PTB) Bundesallee 100 38116 Braunschweig Duitsland
PED	TRZ2: CE0085BM0200 Q: CE0085BM0267	DVGW Cert GmbH Duitsland Josef-Wirmer-Straße 1-3 53123 Bonn
ATEX	 II 2G Ex h IIC T4 Gb 8000310657	TÜV Nord AG Am TÜV 1 30519 Hannover Duitsland
IECEX	Ex h IIC T4 Gb IECEX TUR 16.0043x	TÜV Rheinland Industrieservice GmbH Am Grauen Stein 51105 Köln Duitsland

Tabel 15 | Goedkeuringen

ATEX/IECEX-legenda:

	Kenmerking voor de bescherming tegen ontploffing
II	Apparategroep: industrie (mijnbouw uitgesloten)
2	Apparategroep 2 (zone 1)
G	Gasexplosiegevaarlijke omgevingen
h	Ontstekingsbeschermingswijze: mechanische explosiebeveiliging
IIC	Explosiegroep voor gassen
T4	Temperatuurklasse
Gb	Materieelbeschermingsniveau EPL

* De aanduiding op het apparaat is van toepassing.

6. Supplement A – Standaards en normen

De turbinegasmeters voldoen aan de volgende normen en standaards*:

TRZ2	Q		
X		2014/32/EU – Bijlage IV (MI-002)	Meetinstrumentenrichtlijn (MID)
X	X	2014/68/EU	Richtlijn voor drukapparatuur (PED)
X		DIN EN 12261: 2018	Gasmeters – Gasmeters met schoepenwiel
X	X	ISO 80079-36:2016-02 DIN EN ISO 80079-36:2016-12	Explosieve atmosferen – Deel 36: Niet-elektrische uitrusting voor gebruik in explosieve atmosferen – Basismethoden en eisen
X	X	ISO 80079-37:2016-02 DIN EN ISO 80079-37:2016-12	Explosieve atmosferen – Deel 37: Niet-elektrische uitrusting voor gebruik in explosieve atmosferen – Niet-elektrisch beveiligingstype voor constructieveiligheid 'c', beheersing van ontstekingsbronnen 'b', onderdompeling in vloeistof 'k'

* Geldigheid van de normen telkens voor het drukken van de bedrijfshandleiding.

7. Supplement B – Toegepaste kunststoffen

De volgende kunststoffen zijn in de turbinegasmeter ingebouwd:

Kunststofdelen	Symbolen	Chemische benaming
Impulsgever	PA 6.6	Polyamide
Aandrijving – compl.	POM	Polyoxymethyleen
Tandwielen en kleine onderdelen	POM	Polyoxymethyleen
Kap van het telwerk en telwerk	PC	Polycarbonaat
Onderstuk van het telwerk	PPA	Polyfthalamide
Telwerkrollen	PA 12 PPO	Polyamide Polyfenyleenoxide

8. Supplement C – Gassoortenlijst

Medium	Symbolen	TRZ2	Q
Acetyleen	C2H2	B1/B3	B1/B3
Ammoniak	NH3	-	-
Argon	Ar	X	X
Ethaan	C2H6	B1	B1
Ethyleen	C2H4	X	X
Autogas		B1	B1
Biogas		-	-
Butaan (gasvormig)	C4H10	B1	B1
Chemie/raffinagegassen		-	-
Aardgas, droog		X	X
Azijnzuur of -damp		-	-
Formeergas	N2, H2	X	X
Helium	He	X	X
Isobutyleen	C4H8	X	X
Cokesgas		B2	B2
Koolzuur, droog	CO2	X	X
Rioolgas, droog/nat		-	-
Koolmonoxide	CO	X	X
Lucht/perslucht		B1	B1
Methaan	C2H4	X	X
Pentaaan	C5H12	X	X
Propaan (gasvormig)	C3H8	X	X
Zuurstof	O2	-	-
Stadsgas		X	X
Stikstof	N	X	X
Waterstof	H2	X**	X**
Zwavel dioxide	SO2	-	-
Zwavelwaterstof	H2S	-	-

Legenda:

X Standaardproduct

(X) Met beperkte levensduur mogelijk

- Niet leverbaar

B1 Met oliepomp (olietank)

B2 Stalen behuizing

B3 $p_{max} = 1,5$ bar

*Alleen droog gas

** Metrologische nauwkeurigheid wordt tot 10% toevoeging waterstof in aardgas gewaarborgd

Elster GmbH
Steinern Straße 19-21 | 55252 Mainz-Kastel | Germany
Tel. +49 (0)6134/605-0 | Fax +49 (0)6134/605-390
E-mail: info-instromet-GE4N@honeywell.com

www.elster-instromet.com