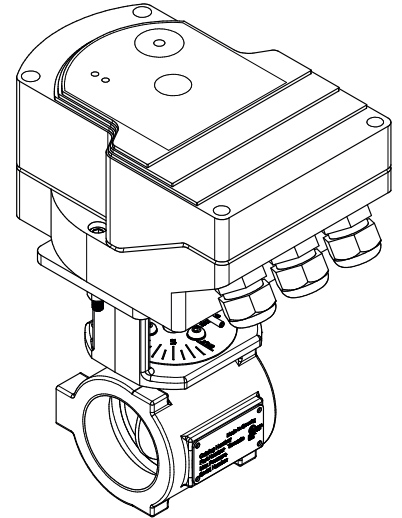
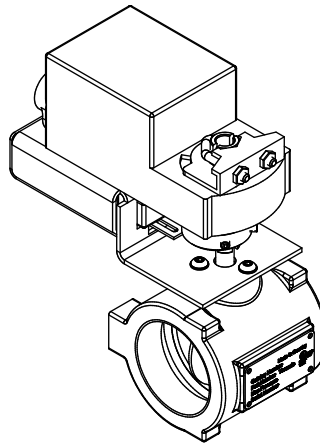
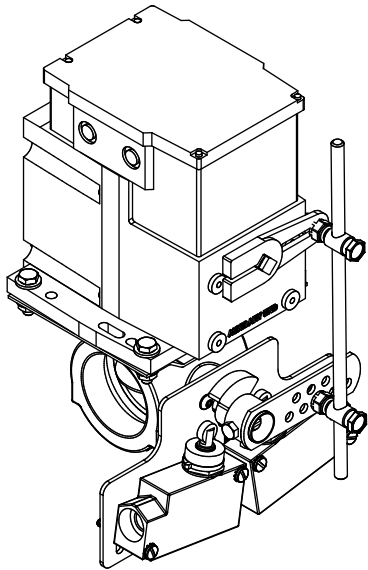


Eclipse BV-PAK-II Packaged Butterfly Valve & Actuator



The Eclipse BV-PAK-II is a packaged solution that makes ordering simple and installation efficient. It is typically used for the regulation of air or fuel-gas in combustion systems where it serves as the control element in a temperature control loop. It does not provide tight shut-off. The assembly offers a Kromschröder IC20/IC40 series, Honeywell Modutrol actuator and Honeywell MN75 actuator mounted to a butterfly valve with a support, fasteners and a coupling.

Installation Notes

- Make sure the area is clean and prevent contaminants from entering the valve and piping.
- Take steps to prevent dropping the assembly.
- Allow space for removing the actuator cover and accessing wiring.
- Provide support for the piping and assembly in accordance with local codes.
- Do not use the actuator or bracket for holding or turning points.
- Hold the BV-Pak-II assembly stationary with a pipe wrench at the valve body end nearest to the pipe while turning the pipe into the threads.
- Refer to appropriate documentation for Kromschröder IC20/IC40 series, Honeywell Modutrol and Honeywell

MN75 technical information for wiring and setting the actuator.

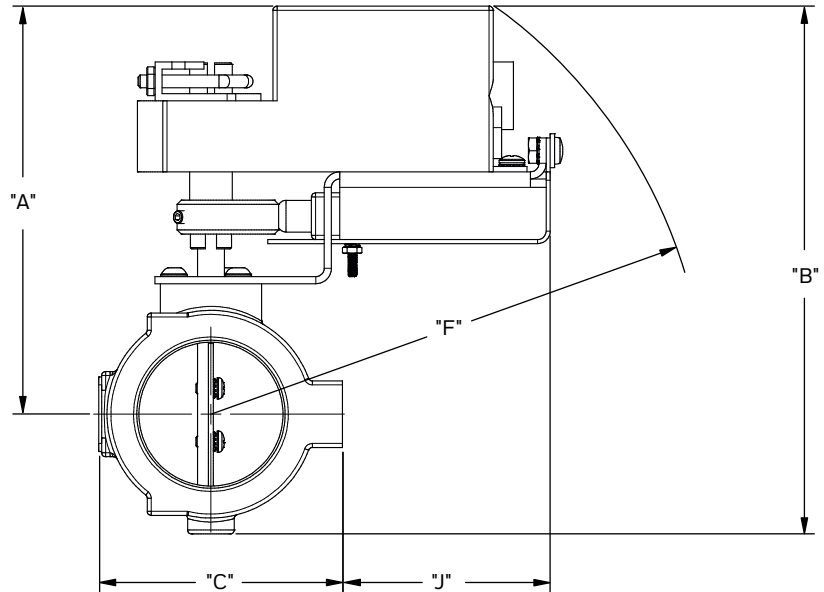
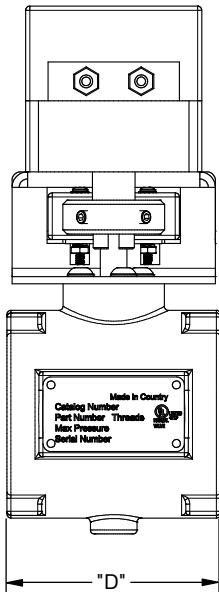
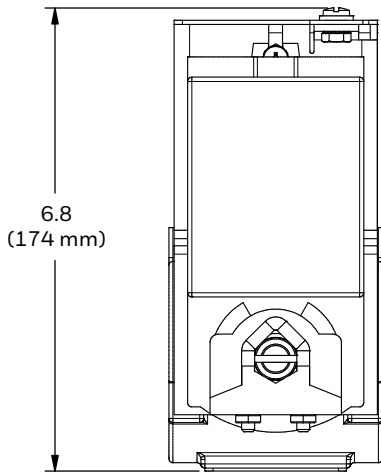
- Attaching actuators to 75deg valves must be done with care since they open in one direction only and have a hard stop.
- Actuator options for direct drive or linkage type available.

Parameter*	Specification
Pipe Size	1/2 to 4 inch
Thread Type	NPT or Rc
Flow Port	Full, Reduced or High-Drop
Disc Shutter	75° Beveled or 360° Non-Beveled
Power Supply	120 VAC or 230 VAC, +10 %/-15 %, 50/60 Hz, 24 V AC/DC
Drive Signal	Analog (0-20 mA, 4-20 mA, 0-10 V, Pot); Digital (2/3/4 Position Step)
Orientation	IC20/IC40: Perpendicular or Parallel to pipe Modutrol and MN75: single standard orientation
Manual Language	English, German, Spanish or Mandarin
Environment	IP65/NEMA3
Temperature	-20 to +60 °C (0 to 140 °F)

* Refer to Instruction Manuals and Datasheets for more specification details.

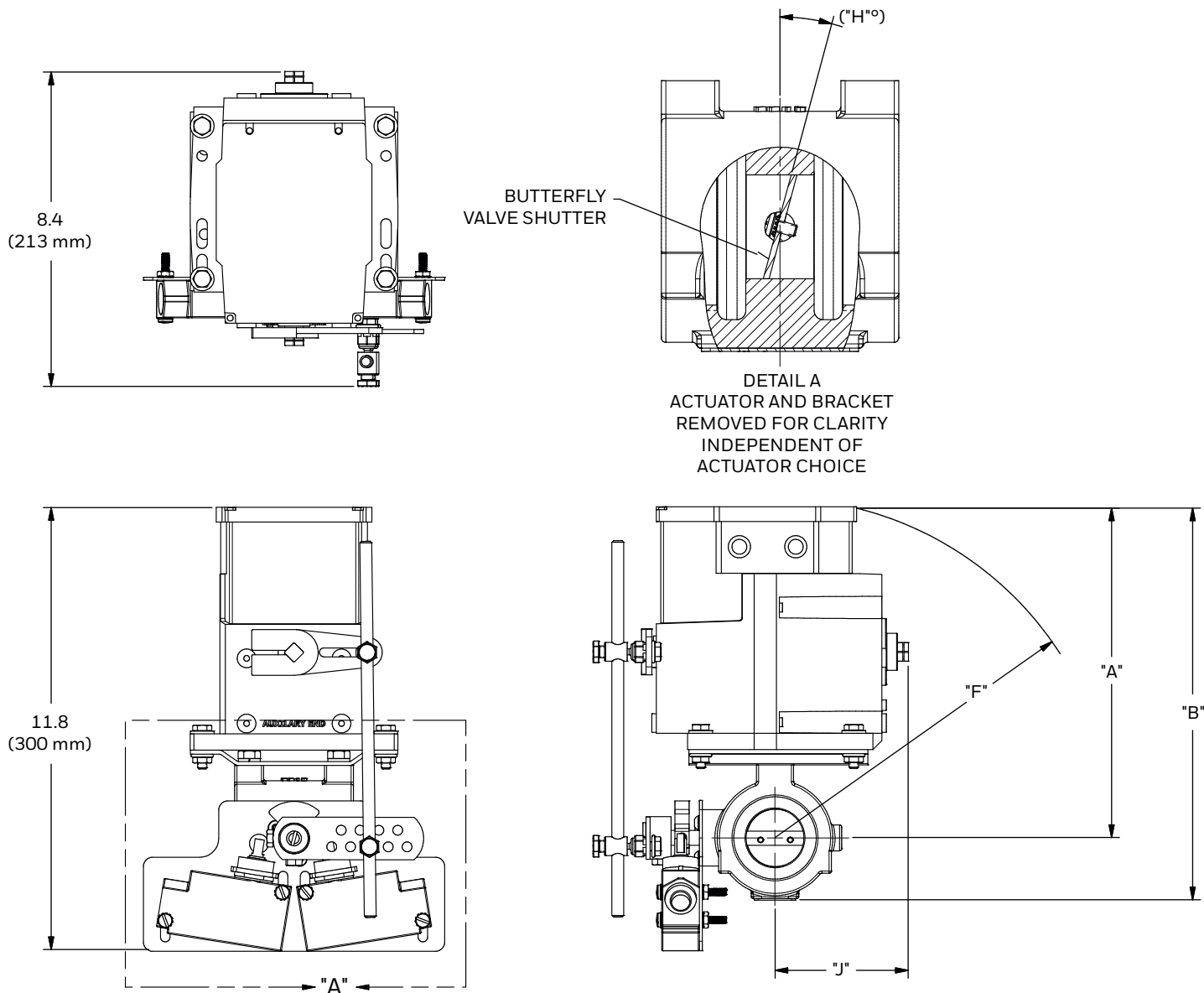
Dimensions

MN75 Actuator



Model	"A"	"B"	"C"	"D"	"F"	"J"	NPT	BSP
02	5.40 in. [137 mm]	6.41 in. [163 mm]	2.10 in. [53 mm]	3.01 in. [77 mm]	6.81 in. [173 mm]	3.82 in. [97 mm]	1/2" NPT	Rc 0.5
03	5.40 in. [137 mm]	6.41 in. [163 mm]	2.10 in. [53 mm]	3.01 in. [77 mm]	6.81 in. [173 mm]	3.82 in. [97 mm]	3/4" NPT	Rc 0.75
04	5.48 in. [139 mm]	6.66 in. [169 mm]	2.40 in. [61 mm]	3.00 in. [75 mm]	6.85 in. [174 mm]	3.68 in. [94 mm]	1" NPT	Rc 1
05	5.60 in. [142 mm]	6.90 in. [175 mm]	2.72 in. [69 mm]	3.05 in. [80 mm]	6.97 in. [177 mm]	3.51 in. [89 mm]	1-1/4" NPT	-
06	5.72 in. [145 mm]	7.18 in. [182 mm]	2.97 in. [75 mm]	3.05 in. [80 mm]	7.05 in. [179 mm]	3.38 in. [86 mm]	1-1/2" NPT	Rc 1.5
08	6.03 in. [153 mm]	7.81 in. [198 mm]	3.60 in. [91 mm]	3.05 in. [80 mm]	7.32 in. [186 mm]	3.07 in. [78 mm]	2" NPT	Rc 2
10	6.43 in. [163 mm]	8.42 in. [214 mm]	4.26 in. [108 mm]	3.90 in. [99 mm]	7.64 in. [194 mm]	2.76 in. [70 mm]	2-1/2" NPT	Rc 2.5
12	6.66 in. [169 mm]	8.93 in. [227 mm]	4.75 in. [121 mm]	3.94 in. [100 mm]	7.83 in. [199 mm]	2.51 in. [64 mm]	3" NPT	Rc 3
16	7.18 in. [182 mm]	9.99 in. [254 mm]	5.82 in. [148 mm]	5.00 in. [127 mm]	8.27 in. [210 mm]	1.94 in. [50 mm]	4" NPT	Rc 4

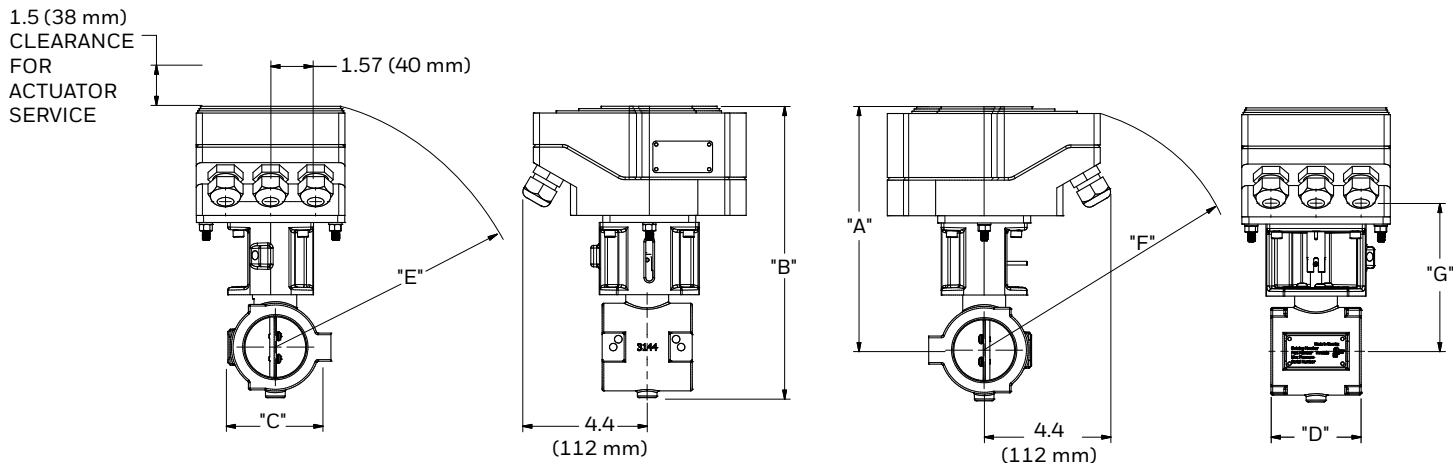
Modutrol Actuator



Model	"A"	"B"	"F"	"J"	NPT	BSP
02	8.02 in. [204 mm]	8.93 in. [227 mm]	8.49 in. [216 mm]	4.17 in. [106 mm]	1/2" NPT	Rc 0.5
03	8.02 in. [204 mm]	8.93 in. [227 mm]	8.49 in. [216 mm]	4.17 in. [106 mm]	3/4" NPT	Rc 0.75
04	8.16 in. [207 mm]	9.20 in. [234 mm]	8.82 in. [219 mm]	4.17 in. [106 mm]	1" NPT	Rc 1
05	8.37 in. [213 mm]	9.56 in. [243 mm]	8.73 in. [222 mm]	3.98 in. [101 mm]	1-1/4" NPT	-
06	8.45 in. [215 mm]	9.80 in. [249 mm]	8.81 in. [224 mm]	3.86 in. [90 mm]	1-1/2" NPT	Rc 1.5
08	8.77 in. [223 mm]	10.43 in. [265 mm]	9.04 in. [230 mm]	3.54 in. [90 mm]	2" NPT	Rc 2
10	9.08 in. [231 mm]	11.10 in. [282 mm]	9.25 in. [235 mm]	3.15 in. [80 mm]	2-1/2" NPT	Rc 2.5
12	9.33 in. [237 mm]	11.58 in. [294 mm]	9.46 in. [240 mm]	2.91 in. [74 mm]	3" NPT	Rc 3
16	9.89 in. [251 mm]	12.66 in. [321 mm]	9.95 in. [253 mm]	2.40 in. [61 mm]	4" NPT	Rc 4

Valve Type	"H"
360° Butterfly valves	0
75° Butterfly valves	15

Kromschröder Actuator



Model	"A"	"B"	"C"	"D"	"E"	"F"	"G"	NPT	BSP
02	7.89 in. [200 mm]	8.90 in. [226 mm]	2.10 in. [53 mm]	3.01 in. [77 mm]	8.31 in. [211 mm]	8.66 in. [220 mm]	4.56 in. [116 mm]	1/2" NPT	Rc 0.5
03	7.89 in. [200 mm]	8.90 in. [226 mm]	2.10 in. [53 mm]	3.01 in. [77 mm]	8.31 in. [211 mm]	8.66 in. [220 mm]	4.56 in. [116 mm]	3/4" NPT	Rc 0.75
04	7.97 in. [202 mm]	9.15 in. [232 mm]	2.40 in. [61 mm]	3.00 in. [75 mm]	8.38 in. [213 mm]	8.73 in. [222 mm]	4.63 in. [118 mm]	1" NPT	Rc 1
05	8.09 in. [205 mm]	9.39 in. [239 mm]	2.72 in. [69 mm]	3.15 in. [80 mm]	8.50 in. [216 mm]	8.84 in. [224 mm]	4.75 in. [121 mm]	1-1/4" NPT	-
06	8.21 in. [209 mm]	9.67 in. [246 mm]	2.97 in. [75 mm]	3.15 in. [80 mm]	8.61 in. [219 mm]	8.95 in. [227 mm]	4.87 in. [124 mm]	1-1/2" NPT	Rc 1.5
08	8.52 in. [216 mm]	10.30 in. [262 mm]	3.60 in. [91 mm]	3.15 in. [80 mm]	8.87 in. [225 mm]	9.23 in. [234 mm]	5.19 in. [132 mm]	2" NPT	Rc 2
10	8.92 in. [227 mm]	10.91 in. [277 mm]	4.26 in. [108 mm]	3.90 in. [99 mm]	9.29 in. [236 mm]	9.59 in. [244 mm]	5.58 in. [142 mm]	2-1/2" NPT	Rc 2.5
12	9.15 in. [232 mm]	11.42 in. [290 mm]	4.75 in. [121 mm]	3.94 in. [100 mm]	9.51 in. [241 mm]	9.80 in. [249 mm]	5.82 in. [148 mm]	3" NPT	Rc 3
16	9.67 in. [246 mm]	12.48 in. [317 mm]	5.82 in. [148 mm]	5.00 in. [127 mm]	10.01 in. [254 mm]	10.27 in. [261 mm]	6.33 in. [161 mm]	4" NPT	Rc 4

For More Information

The Honeywell Thermal Solutions family of products includes Honeywell Combustion Safety, Eclipse, Exothermics, Hauck, Kromschröder and Maxon. To learn more about our products, visit ThermalSolutions.honeywell.com or contact your Honeywell Sales Engineer.

Honeywell Process Solutions

Honeywell Eclipse branded products
201 E 18th Street
Muncie, IN 47302
USA
ThermalSolutions.honeywell.com

® U.S. Registered Trademark
© 2022 Honeywell International Inc.
32-00249-02 Edition 02.22
101044180
Printed in United States

Honeywell