

High-velocity burners ThermJet TJ

ThermJet for preheated combustion air

TJPCA

OPERATING INSTRUCTIONS

· Edition 02.21 · 32-00269-01 · EN



CONTENTS

Safety	1
Product description	2
Installation	2
Burner Installation	4
Piping Installation	6
Valve Installation	6
Checklist After Installation	6
Prepare for Adjustment	6
Adjustment, Start and Stop	7
Maintenance	10
Assistance in the event of malfunction	10

SAFETY

Disclaimer Notice

In accordance with the manufacturer's policy of continual product improvement, the product presented in this brochure is subject to change without notice or obligation.

The material in this manual is believed adequate for the intended use of the product. If the product is used for purposes other than those specified herein, confirmation of validity and suitability must be obtained. Honeywell-Eclipse warrants that the product itself does not infringe upon any United States patents. No further warranty is expressed or implied.

Liability and Warranty

We have made every effort to make this manual as accurate and complete as possible. Should you find errors or omissions, please bring them to our attention so that we may correct them. In this way we hope to improve our product documentation for the benefit of our customers. Please send your corrections and comments to our Marketing Communications Manager.

It must be understood that Honeywell's liability for its product, whether due to breach of warranty, negligence, strict liability, or otherwise is limited to the furnishing of replacement parts and Honeywell-Eclipse will not be liable for any other injury, loss, damage or expenses, whether direct or consequential, including but not limited to loss of use, income, or damage to material arising in connection with the sale, installation, use of, inability to use, or the repair or replacement of Honeywell-Eclipse's products.

Any operation expressly prohibited in this manual, any adjustment, or assembly procedures not recommended or authorized in these instructions shall void the warranty.

Document Conventions

There are several special symbols in this document. You must know their meaning and importance.

1 2 3 a b c ... = Action

→ = Instruction/Note

Audience and Purpose

This manual has been written for people who are already familiar with all aspects of a gas burner and its add-on components, also referred to as "the burner system". These aspects are:

- Installation
- Use
- Maintenance

The audience is expected to have previous experience with this type of equipment.

The purpose of this manual is to make sure that you carry out the installation of a safe, effective, and trouble-free system.

Further documents

For further information about this product see Technical Information

Safety instructions

Information that is relevant for safety is indicated in the instructions as follows:

⚠ DANGER

Indicates a hazardous situation which, if not avoided, will result in death or serious injury.

⚠ WARNING

Indicates a hazardous situation which, if not avoided, could result in death or serious injury.

⚠ CAUTION

Indicates a hazardous situation which, if not avoided, could result in minor or moderate injury.

All interventions may only be carried out by qualified gas technicians. Electrical interventions may only be carried out by qualified electricians.

Safety

Important notices which help provide safe burner operation will be found in this section. To avoid personal injury and damage to the property or facility, the following warnings must be observed. All involved personnel should read this entire manual carefully before attempting to start or operate this system. If any part of the information in this manual is not understood, contact Honeywell before continuing.

⚠ DANGER

The burners covered in this manual are designed to mix fuel with oxygen and burn the resulting mixture. All fuel burning devices are capable of producing fires and explosions when improperly applied, installed, adjusted, controlled or maintained.

- Do not bypass any safety feature; fire or explosion could result.
- Never try to light the burner if it shows signs of damage or malfunction.

⚠ WARNING

- The burner is likely to have HOT surfaces. Always wear protective clothing when approaching the burner.
- Honeywell products are designed to minimize the use of materials that contain crystalline silica. Examples of these chemicals are: respirable crystalline silica from bricks, cement or other masonry products and respirable refractory ceramic fibers from insulating blankets, boards, or gaskets. Despite these efforts, dust created by sanding, sawing, grinding, cutting and other construction activities could release crystalline silica. Crystalline silica is known to cause cancer, and health risks from the exposure to these chemicals vary depending on the frequency and length of exposure to these chemicals. To reduce the risk, limit exposure to these chemicals, work in a well-ventilated area and wear approved personal protective safety equipment for these chemicals.

⚠ CAUTION

- This manual gives information for the use of these burners for their specific design purpose. Do not deviate from any instructions or application limits in this manual without written advice from Honeywell.

Capabilities

Only qualified personnel, with good mechanical aptitude and experience with combustion equipment, should adjust, maintain, or troubleshoot any mechanical or electrical part of this system.

Operator Training

The best safety precaution is an alert and trained operator. Train new operators thoroughly and have them demonstrate an adequate

understanding of the equipment and its operation. A regular retraining schedule should be administered to ensure operators maintain a high degree of proficiency.

Replacement Parts

Order replacement parts from Honeywell only. Any customer-supplied valves or switches should carry UL, FM, CSA, CGA and/or CE approval where applicable.

PRODUCT DESCRIPTION

The ThermJet is a nozzle-mix burner that is designed to fire an intense stream of hot gases through a combustor using ambient combustion air.

The TJPCA (preheated combustion air) uses preheated combustion air temperatures up to 1000°F. (Models TJPCA0500 through TJPCA1000 are rated for use with preheated combustion air temperatures up to 700°F.)

The high velocity of the gases improves temperature uniformity, product quality and system efficiency.

The TJ burner comes in two types:

- High Velocity (HV)
- Medium Velocity (MV)

The gas velocity can be as high as 500 ft/s for the High Velocity burner, and 250 ft/s for the Medium Velocity burner.

TJPCA burners use medium velocity TJPCA combustors providing velocities from 250 ft/s to 750 ft/s depending on the temperature of the preheated combustion air.

INSTALLATION

Introduction

In this section you will find the information and instructions needed to install the burner and system components.

Handling and Storage

Handling

- Make sure the area is clean.
- Protect the components from weather, damage, dirt and moisture.
- Protect the components from excessive temperatures and humidity.

Storage

- Make sure the components are clean and free of damage.
- Store the components in a cool, clean, dry room.
- After making sure everything is present and in good condition, keep the components in original packages as long as possible.

Position of Components

The position and amount of components are determined by the kind of control method chosen. All the control methods can be found here: Technical Information - System Design. Use the schematics in that chapter to build your system.

Approval of Components

Limit Controls and Safety Equipment

All limit controls and safety equipment must comply with all applicable local codes and/or standards and must be listed for combustion safety by an independent testing agency. Typical application examples include:

- American: NFPA 86 with listing marks from UL, FM, CSA
- European: EN 746-2 with CE mark from TuV, Gastec, Advantica

Electrical Wiring

All the electrical wiring must comply with all applicable local codes and/or standards such as:

- NFPA Standard 70
- IEC 60364
- CSA C22
- BS7671

Gas Piping

All the gas piping must comply with all applicable local codes and/or standards such as

- NFPA Standard 54
- ANSI Z223
- EN 746-2

Where to Get the Standards?

The NFPA Standards are available from:

National Fire Protection Agency
Batterymarch Park
Quincy, MA 02269
www.nfpa.org

The ANSI Standards are available from

American National Standard Institute
1430 Broadway
New York, NY 10018
www.ansi.org

The UL Standards are available from

333 Pfingsten Road
Northbrook, IL 60062
www.ul.com

The FM Standards are available from

1151 Boston-Providence Turnpike
PO Box 9102
Norwood, MA 02062
www.fmglobal.com/approvals

Information on the EN standards and where to get them is available from

Comité Européen de Normalisation
Stassartstraat 36
B-1050 Brussels
Phone: +32-25196811
Fax: +32-25196819
www.cen.eu

Comité Européen de Normalisation Electronique
Stassartstraat 36
B-1050 Brussels
Phone: +32-25196871
Fax: +32-25196919
www.cenelec.org

Checklist Before Installation

Intake

Provide an opening in the burner room of at least one square inch per 4000 BTU/hr (6 cm² per 1 kW) to supply the burner intake with fresh, outdoor, combustion air.

If there are corrosive fumes or materials in the surrounding air, find an uncontaminated source to supply air to the burner, or provide a sufficient air filtering system.

Exhaust

Do not allow exhaust fumes to accumulate in the work area. Provide some positive means for exhausting from the furnace and the building.

Access

Make sure that you install the burner in such a way that you can gain easy access for inspection and maintenance.

Environment

Make sure the local environment matches the original operating specifications. Check the following items:

- Voltage, frequency and stability of the electrical power
- Fuel type and supply pressure of the fuel
- Availability of enough fresh, clean combustion air
- Humidity, altitude and temperature of air
- Presence of damaging corrosive gases in the air
- Prevent direct exposure to water

Configuration

Verify the configuration of the TJ, TJPCA burner package:

- Make sure piping orientation is correct. For guidance on changing the orientation see page 3 (Prepare the Burner).
- Make sure spark plug is installed and adjusted correctly.
- Make sure flame sensor is installed. It may be either a flame rod or a UV scanner, depending on the type of flame monitoring control system being used.

For detailed information on how to install and connect a flame rod, refer to:

- Eclipse Flame Equipment datasheet

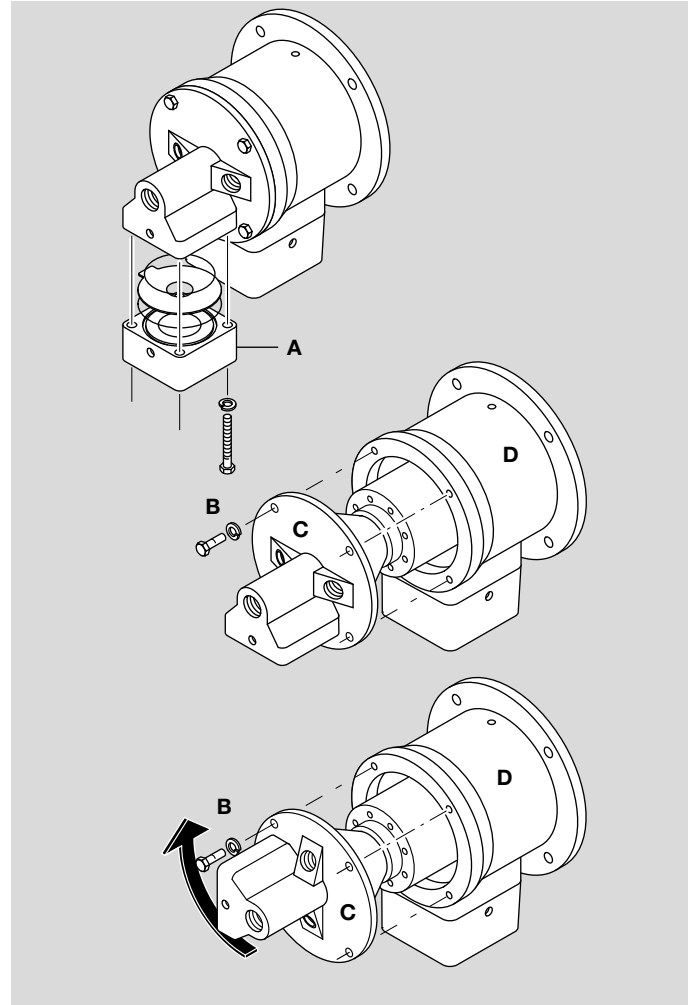
For detailed information on how to install and connect a UV scanner, refer to the relevant UV Scanner documentation.

Prepare the Burner

Several components must be installed on a burner before it can operate. Installation instructions follow.

It is possible to change the relative position of the gas inlet with respect to the air inlet. This can be convenient for the routing of the piping.

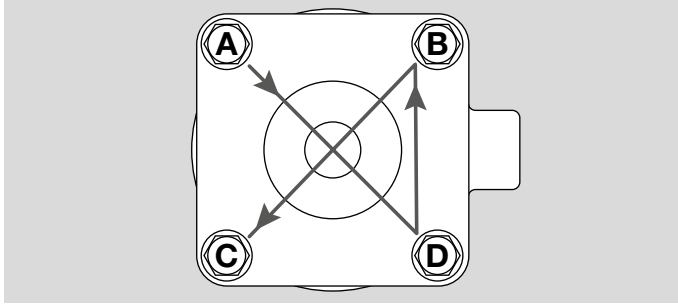
Rotate the Rear Cover (Optional)



→ Be careful not to lose or damage the orifice plate and the o-rings or gaskets.

- 1 Disconnect the piping at a union in the piping or the inlet flanges **A** provided on the burner.
- 2 Remove the four bolts **B**.
- 3 Remove the rear cover **C** from the burner housing **D**.
- 4 Rotate the rear cover **C** to the position that you want.
- 5 Put the rear cover **C** in position against the burner housing **D**.
- 6 Install the four bolts **B**.
- 7 Reconnect the piping. If configured with o-rings, make sure that the o-rings show no signs of damage. If configured with high temp flat gaskets, follow the instructions listed in the next section.

High Temp Gaskets - Gas Connection

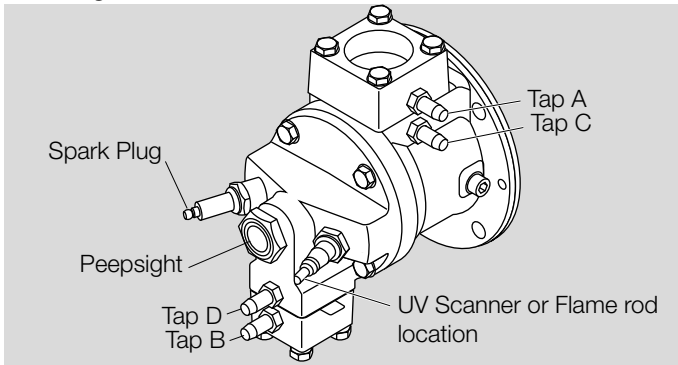


The gas inlet block bolts must be torqued to specified values following these three steps in a “crosswise” manner. The bolt tightening sequence for each step is: A > D > B > C

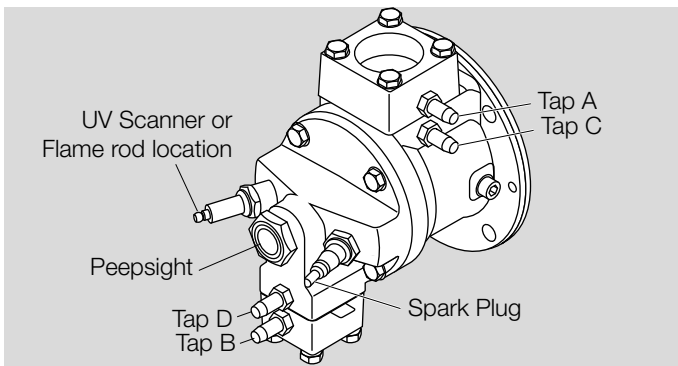
→ Only new, undamaged and dry gaskets should be used. Clean and dry the sealing surfaces carefully. Do not apply any supplementary media (grease, sealing compound, etc.) to sealing surfaces.

- 1 20% of the specified torque [4 ft-lb / 5.4 Nm]
- 2 60% of the specified torque [12 ft-lb / 16.3 Nm]
- 3 100% of the specified torque [20 ft-lb / 27.1 Nm]

Installing the Flame Sensor



TJ0015-0040



TJ0050-2000

- 1 Install the flame sensor into the NPT opening in the rear cover.
 - 1/2” NPT for TJ0015 through TJ0500 and 3/4” NPT for TJ0750 through TJ2000
 - TJ0015-0040: spark plug on the left, UV scanner on the right
 - TJ0050-2000: UV scanner on the left, spark plug on the right
- 2 Make sure that you connect the flame sensor of a burner to the electrical circuit of that burner.

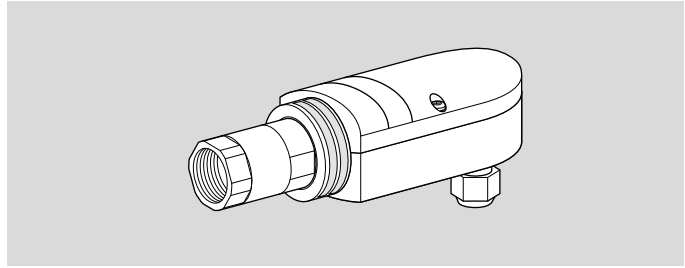
⚠ DANGER

If you connect the flame sensor of a burner to the electrical circuit of the wrong burner, then you can cause fires and explosions.

There are two different types of flame sensors, UV scanner and flamerod.

→ Adjustments may vary from Eclipse published values if the flame controls other than those recommended in the Design Guide are used. Consult with the engineer who specified the alternate control for limitations.

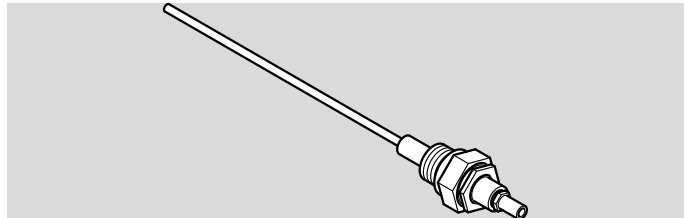
UV Scanner UVS



For detailed information on how to install and connect a UV scanner, refer to scanner operating instructions.

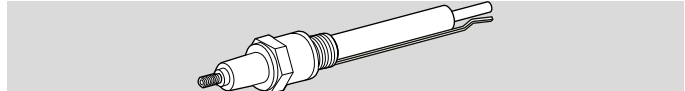
- All ThermJet PCA burners operate with UV Scanners only. A UV Scanner can be used with all combustor types.
- Ambient temperature limits for the scanners are likely to be exceeded. An insulated coupling, heat block seal or scanner cooler may be required. See Eclipse Flame Equipment and Heat Block seal documentation for more information.

Flame Rod



Only the TJ with specific burner sizes with alloy or silicon carbide combustors can use a flamerod (see Technical Information TJ).

Installing the Spark Plug

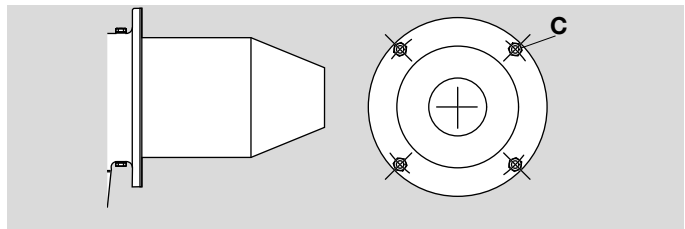


Install the spark plug into the opening in the rear cover.

- Do not apply any grease to the threads of the spark plug. You can cause bad grounding of the spark plug if you apply grease to it. Bad grounding of the spark plug results in a weak spark.

BURNER INSTALLATION

Dimensions



The burner attaches to the wall of the chamber with bolts through holes **C**. For full information on the burner dimensions, refer to Technical Information TJ.

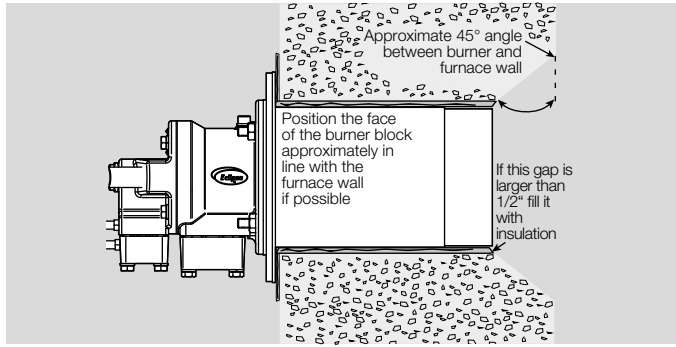
Chamber Wall

Make sure that the wall of the chamber is strong enough to support the weight of the burner. If necessary, reinforce the area where you plan to install the burner.

Refractory furnace walls must allow for thermal expansion as recommended by the refractory supplier – the wall should apply no stress on the burner block or refractory layer surrounding the burner block. Expansion joints built into the furnace wall should permit the furnace shell, burner block holder, combustor or burner block and surrounding refractory to move as a unit in the event of unequal expansion of the refractory wall and furnace shell.

The combustor or combustion block must not extend beyond the inside of the furnace wall more than 1". Beyond this length it is necessary to add a spacer on the outside of the furnace to keep

the end of the combustor or combustion block within 1/2" of the end of the wall.

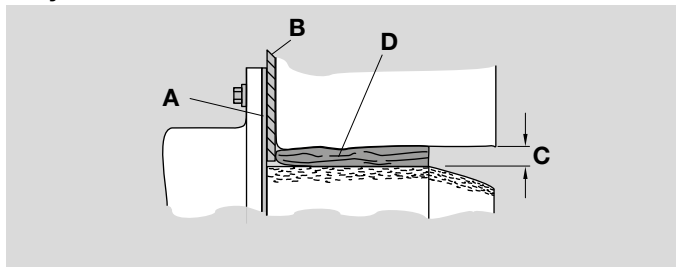


If the combustor or burner block is shorter than the furnace wall thickness the block or combustor should be recessed into the wall. To prevent refractory overheating, a 45° chamfer should be applied.

Avoid Losses

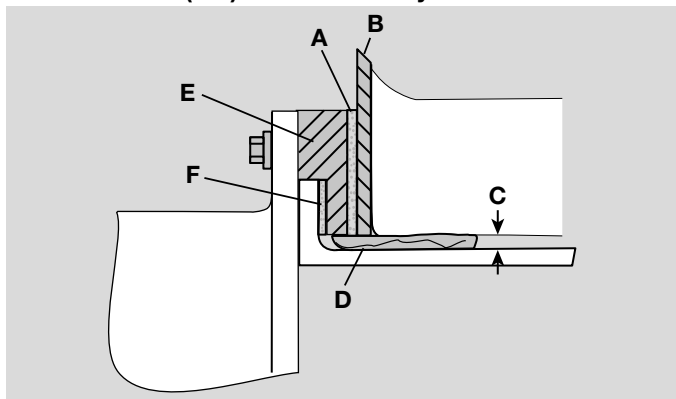
To make sure that heat does not go back to the casing of the chamber, it is important that the radial clearance around the firing tube is filled with ceramic fiber.

Alloy Combustor



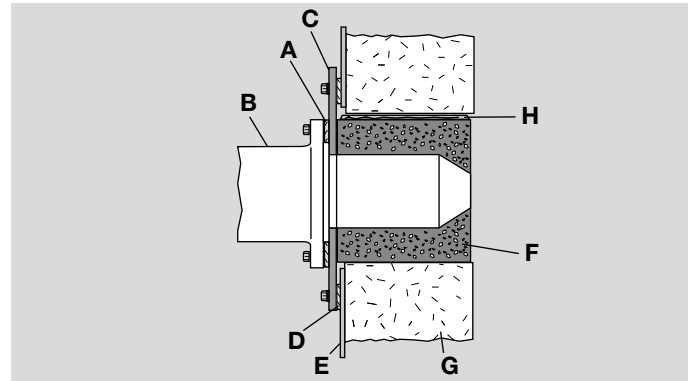
- 1 Make sure the gasket **A** is installed between the burner and the chamber wall **B**.
 2. Make sure that gasket **A** does not leak.
 - 3 Check the size of the clearance. If the gap **C** around the firing tube is larger than 1/2", then pack the gap with ceramic fiber **D**.
- Do not insulate the end of the combustion tube "tip". Do not recess the combustion tube into the furnace wall.

Silicon Carbide (SiC) Combustor Only



- 1 Make sure the gasket **A** is installed between the burner flange **B** and chamber wall **B**.
- 2 Make sure gasket **E** is installed between SiC tube and flange **F**.
- 3 Make sure neither gasket **A** or **E** leaks.
- 4 Check the size of the clearance.
 - a **TJ**: If the gap **C** around the firing tube is larger than 1/2", then pack the gap with ceramic fiber **D**.
 - b **TJPCA**: If the gap **C** around the firing tube is larger than 1/2", pack the gap with ceramic fiber **D** over a maximum length of 4" (100 mm). Maintain a clearance of at least 3/16" (5 mm) over the remaining straight length of the firing tube. Do not wrap the cone.

Refractory Block



- 1 Make sure gasket **A** is installed between burner **B** and block holder **C**.
- 2 Make sure gasket **D** is installed between block holder **C** and chamber wall **E**.
- 3 Support the weight of refractory block **F** with hard brick work anchored to the furnace shell **G**. Fill the 1/2" space between block **F** and the three unsupported sides with soft gasket material **H**.

Large Refractory Blocks

On sizes TJ0500 thru TJ2000; the block must be surrounded by a collar made of brick, plastic refractory, or a castable refractory of at least 4" (10 cm) minimum thickness on all sides of the block. If the collar is cast around the block, a thin plastic film (i.e. Saran Wrap® or Glad Wrap®) should be wrapped around the block to keep moisture from leaching into it. The collar should be anchored to the furnace shell with suitable anchors and must be constructed to rest on a surface capable of supporting its weight, such as a hearth or a solid refractory or brick wall. For furnaces that are unable to support the weight of the refractory block, a stainless steel shelf can be welded to the shell to support the collar.

Refractory Block Curing Schedule

The refractory block was cured at the factory up to a temperature of at least 550°F (288°C). Final curing should be done after installation. The recommended curing schedule is:

- Ambient to 600°F (315°C) at 100°F (55°C) per hour.
- 600°F (315°C) to 1000°F (540°C) at 25°F (14°C) per hour. Hold the refractory block at 1000°F (540°C) for 12 hours.
- Cool or raise the operating temperature at a rate of 100°F (55°C) per hour.

Please contact Honeywell Eclipse with any questions regarding block curing.

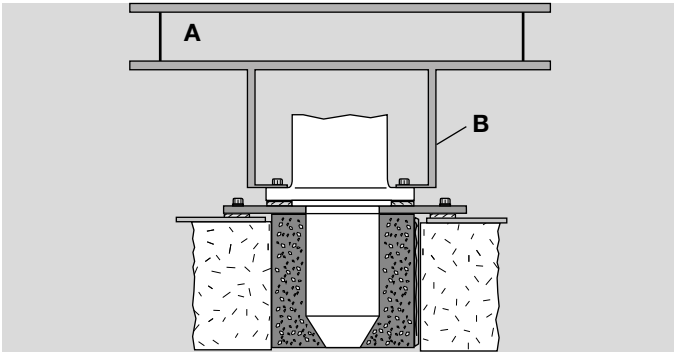
After initial curing, blocks are to be heated or cooled at a rate no faster than 200°F (93°C) per hour.

→ The correct insulation of burner combustion blocks in furnaces results in longer block life and adds value by reducing downtime and maintenance.

Block Holder Temperature

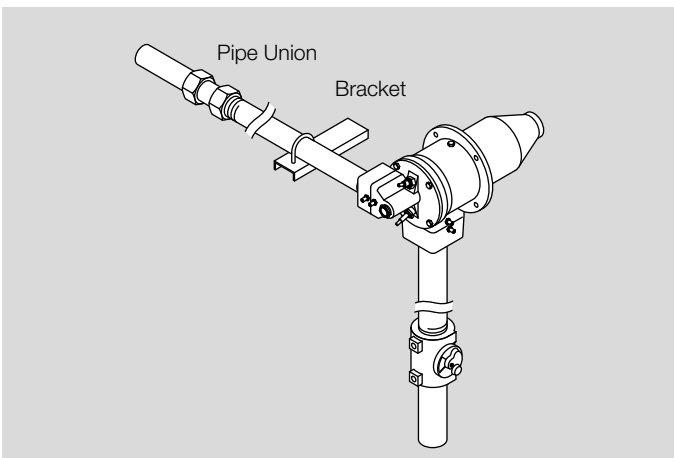
Excessive block holder temperatures can cause problems. Overheating can be reduced by carefully sealing the burner blocks in the wall to prevent the leakage of hot gases back to the furnace shell. In high temperature (>1400°F, 760°C) fiber-wall furnace installations, the length of the metallic wrapper should extend no farther than the point in the wall where the interface temperature is higher than 1400°F (760°C).

Vertical Down Firing Blocks



- 1 Down firing blocks may be suspended by customer supplied hangers **B** attached to the burner body mounting bolts.
 - 2 Hangers should be attached to structural support **A**.
- Burner housings should not be insulated without contacting Honeywell Eclipse.

PIPING INSTALLATION



Layout

Install the piping as shown in the schematics. Refer to System design.

Support the Piping

Use brackets or hangers to support the gas piping. If you have questions, consult your local gas company.

Straight Run of Pipe Before a Metering Orifice

→ There must be a run of pipe with a straight length of at least 10 pipe diameters before the burner metering orifice. If you do not do this, the pressure readings will be inaccurate.

Pipe Connections

Install a pipe union in the gas line to the burner. This simplifies removal of the burner. The use of flexible pipe nipples in the gas line to the burner is optional. Flexible nipples can absorb stress due to heat expansion and slight misalignment.

→ Flexible pipe nipples will cause inaccurate metering orifice readings and may cause higher pressure drops than equivalent standard pipe nipples. Consider this when you size the gas lines.

Avoid Large Pressure Drops

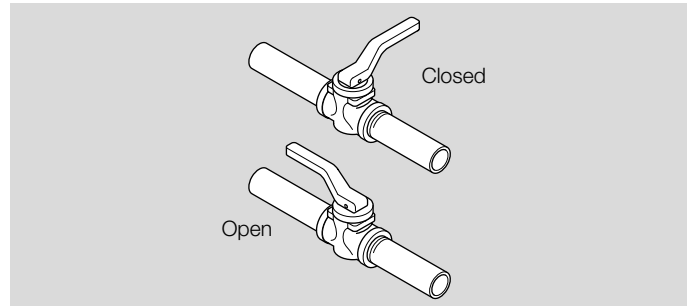
→ The pressure drop of the gas in the piping is a critical parameter. Make sure that the size of all the piping is large enough to prevent excessive pressure losses.

VALVE INSTALLATION

Valve Orientation

Install all the valves in such a way that the arrow (if present) on the valve body points in the direction of flow.

Gas Cocks



Make sure that the handle of a gas cock is at a right angle to the valve body when the valve is in the closed position. This is an important position indicator. If you do not do this, someone may think that the gas cock is in the closed position, while it is actually in the open position.

Gas Balancing Valves

A gas balancing valve is typically the same as a manual butterfly valve.

Manual Butterfly Valves

- Install manual butterfly valves in accordance with the corresponding operating instructions.
 - Install manual butterfly valves in the gas line to the burner (optional).
- It is recommended that there is a run of pipe with a length of at least 10 pipe diameters between any flow altering device and metering orifice on the burner.

Automatic Butterfly Valve

An automatic butterfly is driven by an actuator. Install the control valve in accordance with corresponding operating instructions.

Ratio Regulator

- 1 Install the ratio regulator in accordance with the corresponding operating instructions.
- 2 Connect an impulse line to the ratio regulator and air supply line.

CHECKLIST AFTER INSTALLATION

To verify proper system installation, do the following:

- 1 Make sure that there are no leaks in the gas and air lines.
- 2 Make sure all the components of the flame monitoring control system are properly installed. This includes verifying that all switches are installed in correct locations and all wiring, pressure and impulse lines are properly connected.
- 3 Make sure components of spark ignition system are installed and functioning properly.
- 4 Make sure that the blower rotates in the correct direction. If incorrect, have a qualified electrician rewire the blower to reverse its rotation.
- 5 Make sure all valves are installed in the proper location and correctly oriented relative to the gas or air flow direction.

PREPARE FOR ADJUSTMENT

After installation of the burner system components is complete, the following steps should be followed in order to prepare for adjustment:

- 1 Set the air pressure switch so that it drops out at 4" w.c. (10 mbar) below the pressure rating of the blower.
- 2 Set the low gas pressure switch at 4" w.c. (10 mbar) below the gas pressure measured at the inlet to the main gas valve train.
- 3 Set the high gas pressure switch so that it comes on at 4" w.c. (10 mbar) above the gas pressure measured at the inlet to the main gas valve train.
- 4 Close all the burner gas cocks.
- 5 Try to light a burner before the purge and other timers have finished their cycles. Make sure that the flame monitoring system indicates a flame failure.
- 6 Trip out pressure switches and other limit interlocks. Make sure that the main gas valve train closes.

⚠ DANGER

If simulated limits or simulated flame failures do not shut down the fuel system within the required failure response time, immediately correct the problem before proceeding.

ADJUSTMENT, START AND STOP

In this chapter you will find instructions on how to adjust a system, and how to start and stop a system.

⚠ DANGER

Do not bypass any safety feature. You can cause fires and explosions.

Adjustment

There are two adjustment procedures. To adjust a modulating gas and air ratio system, refer to page 7 (Modulating Gas and Air Ratio System). For a fixed-air system, refer to page 9 (Fixed Air System (TJ only)).

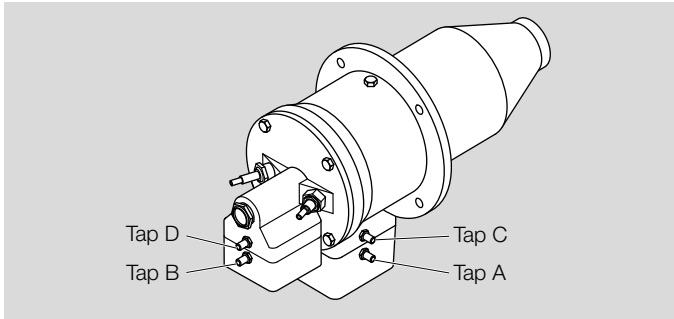
Modulating Gas and Air Ratio System

If you adjust an on-ratio system for the first time, you must follow these steps: (Refer to Figures in the Technical Information.)

Reset the System

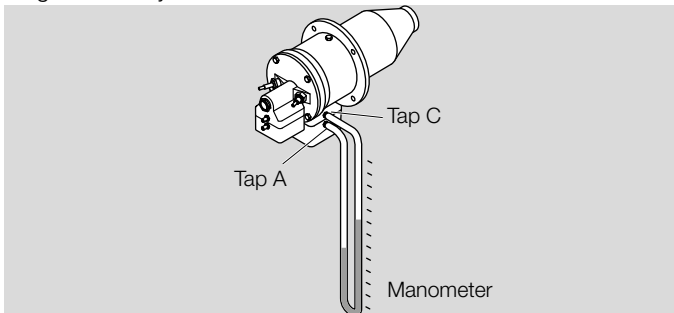
- 1** Close the automatic gas valves and gas cocks.
 - 2** Fully open the manual air butterfly valve at each burner.
 - a** Drive the automatic zone air control valve to high fire.
 - b** Adjust the automatic zone air control valve so that it is fully open.
 - 3** Start the blower.
- Make sure that the blower rotates in the correct direction. If incorrect, have a qualified electrician rewire the blower to reverse its rotation.
- 4** If the system includes an eductor, TJPCA adjust the eductor flow valve to set the flow measured across the orifice to the flow specified by Honeywell Eclipse for your application.

Set High Fire Air



- 1** Set the system to high fire, but DO NOT ignite the burner(s).
- 2** Use the air curves in "Orifice Curves" from the ThermJet technical information to find the differential air pressure needed at high fire. This is now the target value for high fire.
- 3** Set high fire air using the instructions for either a single burner system or multiple burner system below.

Single burner system:



- a** Make sure that pressure taps A and C of the burner are open.
- b** Connect the manometer to taps A and C (across the air orifice).
- c** Adjust the manual butterfly valve until the high fire differential air pressure is at the target value.

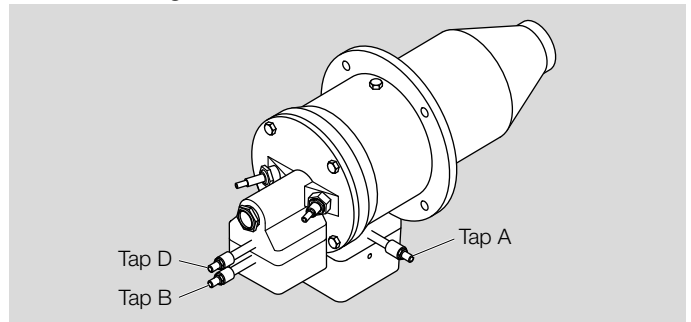
d Remove the manometer.

e Close the pressure taps.

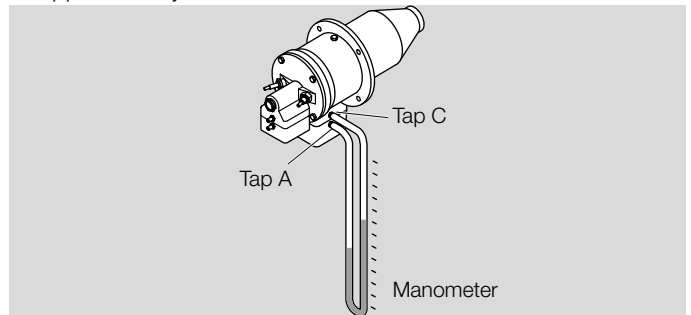
Multiple burner system:

- a** Make sure that pressure taps A and C of the first burner are open.
 - b** Connect the manometer to taps A and C of the first burner (across the air orifice).
 - c** Adjust the manual butterfly valve for the zone, until the high-fire differential air pressure is at the target value for the first burner.
 - d** Measure the differential air pressure across the next burner in the zone.
 - e** Repeat step 'd' for all the burners in the zone.
 - f** If all the measured differential pressures are within 0.3" w.c. (0.75 mbar) of each other, then proceed to the next section. If the variation is greater than 0.3" w.c. (0.75 mbar) it is necessary to adjust the manual air butterfly valve at each burner to improve the balance.
- g** Make sure that all the pressure taps are closed.
- 4** Repeat 3 for other zones (if any).

TJPCA: Set High Fire Air



- 1** Set the system to high fire, but DO NOT ignite the burner(s).
 - 2** Use the orifice flow data (provided by orifice manufacturer) to determine the pressure drop across the orifice necessary for high fire air flow.
- If using single diaphragm ratio regulator control, set air flow to 35% excess air to account for temperature changes in combustion air.
- 3** Set high fire air using the manual combustion air butterfly to achieve the pressure differential determined in Step 2.
- A pressure tap is open when the screw inside the tap is unscrewed approximately half a turn.



Burner system:

- a** Open all pressure tap(s) A.
- b** Measure and note the static pressure at Tap A for all the burners.
- c** If all the measured static pressures are within 0.3" w.c. (0.75 mbar) of each other, then proceed to the next section. If the variation is greater than 0.3" w.c. (0.75 mbar) it will be necessary to adjust the manual air butterfly valve at each burner to improve the balance.
- d** Remove the manometer.
- e** Close the pressure taps.
- f** Repeat the proceeding for other zones (if any).

Set Low Fire Air

- 1** Set the system to low fire.
- 2** Connect the manometer to tap A (air inlet pressure tap).

3 Adjust the automatic zone air control valve until the low fire static air pressure is 0.2" w.c. This is the initial setting only. Further adjustment may be required.

4 Repeat 2 and 3 for the other zones (if any).

Verify the Air Settings

Make sure all the settings are still the same after you cycle the system several times between high and low fire.

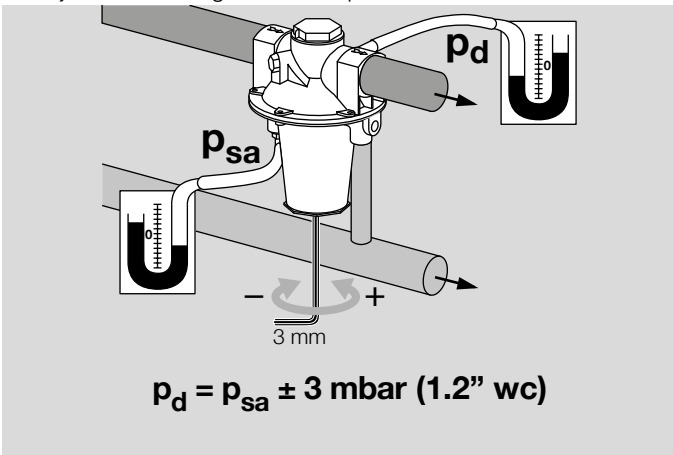
Ignite the Burners

⚠ WARNING

This procedure assumes that a flame monitoring control system is installed and is serviceable. It also assumes that normal low fire start is being used.

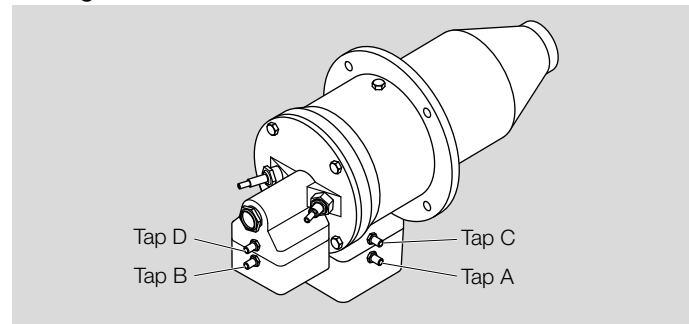
→ If low fire gas is too low to be used for ignition, refer to options in page 10 (Set the Bypass Pilot Gas).

- 1** Drive the zone air automatic control valve to low fire.
- 2** Make sure the combustion air blower is running.
- 3** Set the manual gas butterfly valve at each burner to 50% open.
- 4** Adjust the ratio regulator as required for low fire.

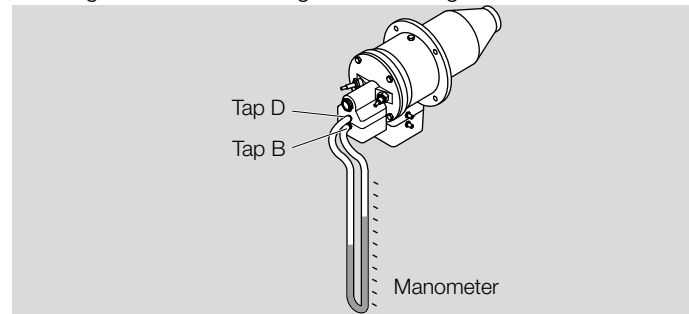


- 5** Select the valve according to the control method:
 - a** With high/low control: Set the gas bypass butterfly valve 25% open.
 - b** With modulating gas control: Set the zone gas automatic butterfly valve to approximately 10% open. Stroke the valve to the open position to ensure 100% open. Readjust if necessary.
 - 6** Open zone manual gas cock (if any).
 - 7** Open manual gas cock at each burner.
 - 8** Initiate the ignition sequence through the flame monitoring control system.
 - 9** Check that all the burners in the zone have ignited.
 - 10** If safety shut-off solenoid valves are installed at each burner, then repeat the last three steps for all the burners in the zone.
 - 11** If all the burners have ignited, drive the zone air butterfly valve to high fire. Verify flame is present at each burner. If burners do not light, add a 1/2 turndown on the proportionator, and repeat the last four steps.
 - 12** Verify that air pressure drops have remained the same.
 - 13** If air pressure drop is too high, close down the zone manual air butterfly valve.
 - 14** If air pressure drop is too low, open the zone manual air butterfly valve.
- As application temperature increases, pressure will change. Depending on control method, readjustment of the manual combustion air butterfly valve may be necessary.

Set High Fire Gas



- 1** Use the gas curves from the ThermJet Technical Information for the gas being used to find the differential gas pressure needed at high fire. This is the target value for high fire.



- 2** Connect the manometer to taps B and D (across the gas orifice).
- 3** Measure the high fire differential gas pressure for the first burner.
- 4** Adjust the gas butterfly valve at the burner until the gas flow is at the target value.
- 5** Repeat 3 and 4 for the other burners in the zone.
- 6** Check the gas pressure at the inlet to the zone ratio regulator. This should be at least 5" w.c. (12.5 mbar) higher than the loading line pressure. It should not exceed the maximum pressure rating of the ratio regulator.

⚠ WARNING

Insufficient gas inlet pressure may cause the proportionator to remain fully open as the burner system turns down from high fire, causing excess fuel operation and possible accumulation of unburned fuel in the chamber. In extreme cases, this may cause explosions or fires.

Set Low Fire Gas

- 1** Drive the system to low fire.
 - 2** Use the gas curve from the ThermJet Technical Information for the gas being used to determine the differential gas pressure required for low fire. This is your target value for low fire.
 - 3** Measure the gas pressure at the first burner.
 - 4** Adjust the ratio regulator until the gas flow is on the target value.
- It is very difficult to measure the very low pressures experienced at low fire, and it may be necessary to rely on visual inspection. This is especially true when gas turndowns in excess of 10:1 are being used. The main intent is to provide a clean stable flame with a good flame signal that will not cause the furnace temperature to overshoot.
- If the pressure required is too low to be measured, adjust the ratio regulator until a gas flow is obtained that will provide a clean stable flame with a strong flame signal.

Verify the Gas Settings

Make sure that all the settings are still the same after you have cycled the system several times between high and low fire. As application temperature increases, setting may vary. Recheck and readjust as temperatures increase.

→ When all the settings have been completed, mark the position of the indicator on the butterfly valves to indicate valve position.

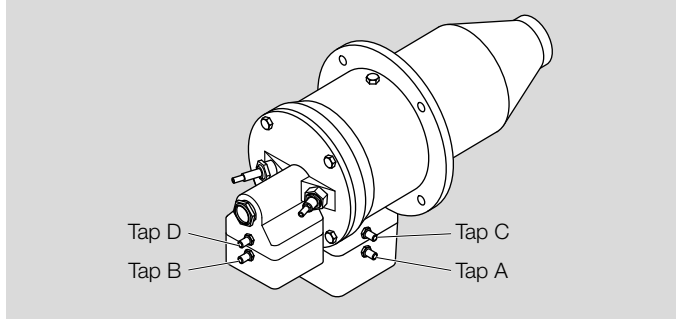
Fixed Air System (TJ only)

When you adjust a fixed-air system for the first time, you must follow these steps:

Reset the System

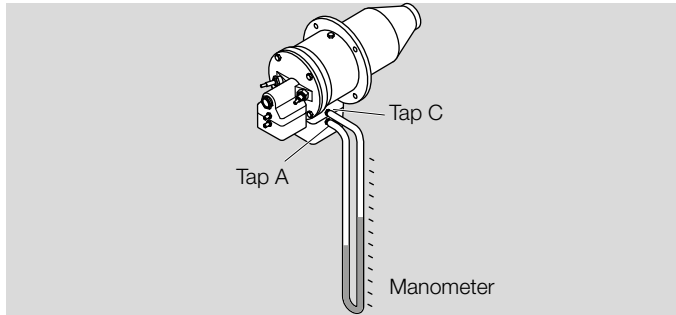
- 1 Close the automatic gas valves and gas cocks.
 - 2 Fully open the manual air butterfly valve at each burner.
 - a Drive the automatic zone air control valve to high fire.
 - b Adjust the automatic zone air control valve so that it is fully open.
 - 3 Start the blower.
- Make sure that the blower rotates in the correct direction. If incorrect, have a qualified electrician rewire the blower to reverse its rotation.
- 4 If the system includes an eductor, TJPCA adjust the eductor flow valve to set the flow measured across the orifice to the flow specified by Honeywell Eclipse for your application.

Set High Fire Air



- 1 Set the system to high fire, but DO NOT ignite the burner(s).
- 2 Use the air curves in "Orifice Curves" from the ThermJet technical information to find the differential air pressure needed at high fire. This is now the target value for high fire.
- 3 Set high fire air using the instructions for either a single burner system or multiple burner system below.

Single burner system:



- a Make sure that pressure taps A and C of the burner are open.
- b Connect the manometer to taps A and C (across the air orifice).
- c Adjust the manual butterfly valve until the high fire differential air pressure is at the target value.
- d Remove the manometer.
- e Close the pressure taps.

Multiple burner system:

- a Make sure that pressure taps A and C of the first burner are open.
- b Connect the manometer to taps A and C of the first burner (across the air orifice).
- c Adjust the manual butterfly valve for the zone, until the high-fire differential air pressure is at the target value for the first burner.
- d Measure the differential air pressure across the next burner in the zone.
- e Repeat step 'd' for all the burners in the zone.
- f If all the measured differential pressures are within 0.3" w.c. (0.75 mbar) of each other, then proceed to the next section. If the variation is greater than 0.3" w.c. (0.75 mbar) it is necessary to adjust the manual air butterfly valve at each burner to improve the balance.
- g Make sure that all the pressure taps are closed.
- 4 Repeat 3 for other zones (if any).

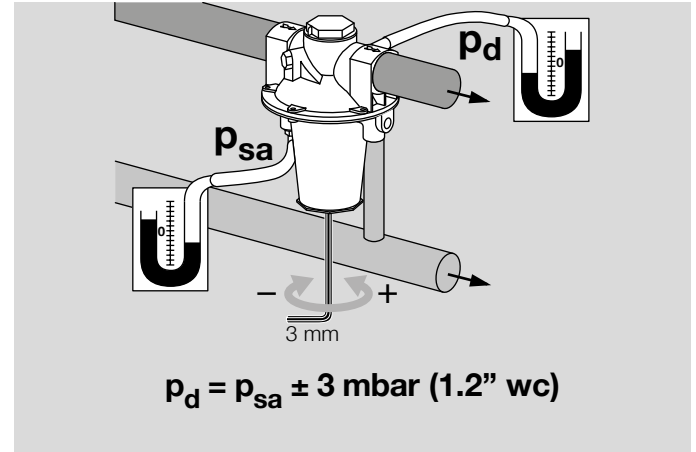
Ignite the Burners

⚠ WARNING

This procedure assumes that a flame monitoring control system is installed and is serviceable. It also assumes that normal low fire start is being used.

→ If low fire gas is too low to be used for ignition, refer to options in page 10 (Set the Bypass Pilot Gas).

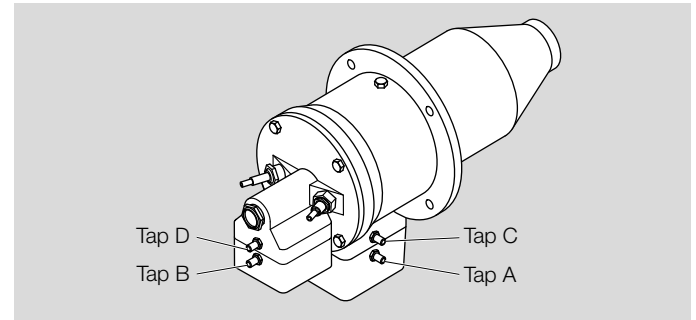
- 1 Drive the zone air automatic control valve to low fire.
- 2 Make sure the combustion air blower is running.
- 3 Set the manual gas butterfly valve at each burner to 50% open.
- 4 Adjust the ratio regulator as required for low fire.



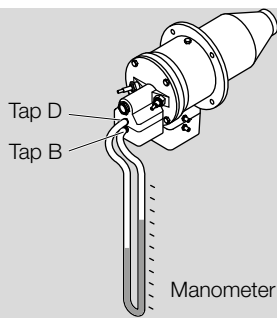
5 Select the valve according to the control method:

- a With high/low control: Set the gas bypass butterfly valve 25% open.
 - b With modulating gas control: Set the zone gas automatic butterfly valve to approximately 10% open. Stroke the valve to the open position to ensure 100% open. Readjust if necessary.
 - 6 Open zone manual gas cock (if any).
 - 7 Open manual gas cock at each burner.
 - 8 Initiate the ignition sequence through the flame monitoring control system.
 - 9 Check that all the burners in the zone have ignited.
 - 10 If safety shut-off solenoid valves are installed at each burner, then repeat the last three steps for all the burners in the zone.
 - 11 If all the burners have ignited, drive the zone air butterfly valve to high fire. Verify flame is present at each burner. If burners do not light, add a 1/2 turndown on the proportionator, and repeat the last four steps.
 - 12 Verify that air pressure drops have remained the same.
 - 13 If air pressure drop is too high, close down the zone manual air butterfly valve.
 - 14 If air pressure drop is too low, open the zone manual air butterfly valve.
- As application temperature increases, pressure will change. Depending on control method, readjustment of the manual combustion air butterfly valve may be necessary.

Set High Fire Gas



- 1 Use the gas curves from the ThermJet Technical Information for the gas being used to find the differential gas pressure needed at high fire. This is the target value for high fire.



- 2 Connect the manometer to taps B and D (across the gas orifice).
- 3 Measure the high fire differential gas pressure for the first burner.
- 4 Adjust the gas butterfly valve at the burner until the gas flow is at the target value.
- 5 Repeat 3 and 4 for the other burners in the zone.
- 6 Check the gas pressure at the inlet to the zone ratio regulator. This should be at least 5" w.c. (12.5 mbar) higher than the loading line pressure. It should not exceed the maximum pressure rating of the ratio regulator.

⚠ WARNING

Insufficient gas inlet pressure may cause the proportionator to remain fully open as the burner system turns down from high fire, causing excess fuel operation and possible accumulation of unburned fuel in the chamber. In extreme cases, this may cause explosions or fires.

Set Low Fire Gas

- 1 Drive the system to low fire.
 - 2 Use the gas curve from the ThermJet Technical Information for the gas being used to determine the differential gas pressure required for low fire. This is your target value for low fire.
 - 3 Measure the gas pressure at the first burner.
 - 4 Adjust the ratio regulator until the gas flow is on the target value.
- It is very difficult to measure the very low pressures experienced at low fire, and it may be necessary to rely on visual inspection. This is especially true when gas turndowns in excess of 10:1 are being used. The main intent is to provide a clean stable flame with a good flame signal that will not cause the furnace temperature to overshoot.
- If the pressure required is too low to be measured, adjust the ratio regulator until a gas flow is obtained that will provide a clean stable flame with a strong flame signal.

Verify the Gas Settings

Make sure that all the settings are still the same after you have cycled the system several times between high and low fire.

As application temperature increases, setting may vary. Recheck and readjust as temperatures increase.

- When all the settings have been completed, mark the position of the indicator on the butterfly valves to indicate valve position.

Set the Bypass Pilot Gas

⚠ WARNING

Before you perform this procedure, make sure the flame monitoring control system is working.

- 1 Set the system to low fire.
- 2 Make sure that the blower is on.
- 3 Use the flame monitoring control system to start the ignition and the bypass pilot gas for all the burners in the zone.
- 4 Adjust the manual butterfly valve in the bypass line until you obtain reliable ignition within the required trial for ignition time limit.
- 5 Repeat the last step for all the other burners and zones (if any).

Start Procedure

- 1 Start the blower.
- 2 Open all the gas cocks.
- 3 Start the ignition sequence.
- 4 Verify that flame is present at each burner.

⚠ DANGER

If a burner does not light, and the system does not shut down automatically, then you must close the main gas cock. An uncontrolled flow of gas can cause fires and explosions. Do not touch the ignition plug or the ignition wire when the ignition is on. You will get a shock.

Stop Procedure

- 1 Close the following valves:
 - The manual gas cock for each burner or zone
 - The manual gas cock at the main control valve
 - All the manual shut-off valves in the gas line upstream of the burner gas cock
 - 2 Let the burners cool down. Keep the blower on until the chamber temperature is less than 1000°F (500°C) and then stop the blower.
- Keeping the blower on after the burner is off protects the burner and the other components from hot gases that flow back through the burner.

MAINTENANCE

Preventive maintenance is the key to a reliable, safe and efficient system. The core of any preventive maintenance system is a list of periodic tasks. The following are suggestions for a monthly list and a yearly list.

- The monthly list and yearly lists are an average interval. If your environment is dirty, the intervals may be shorter.

Yearly checklist

- 1 Test (leak test) safety shut-off valves for tightness of closure.
- 2 Test air pressure switch settings by checking switch movements against pressure settings and comparing with actual impulse pressure.
- 3 Visually check ignition cable and connectors.
- 4 Inspect impulse piping for leaks.
- 5 Clean and inspect all the burners.
- 6 Make sure that the following components are not damaged or distorted:
 - burner nozzle
 - spark plugs
 - flame sensors
 - flame tube or combustion block
- 7 If applicable, remove and clean all the orifice plates.

Monthly checklist

- 1 Inspect flame-sensing devices for good condition and cleanliness.
- 2 Check for proper inlet air/gas ratios.
- 3 Test all the alarm systems for proper signals.
- 4 Check ignition spark plugs and proper gap.
- 5 Check valve motors and control valves for free, smooth action and adjustment.
- 6 Check for proper operation of the ventilating equipment.
- 7 Test the interlock sequence of all safety equipment; manually make each interlock fail, noting that related equipment closes or stops as specified by the manufacturer.
- 8 Test flame monitoring control system by manually shutting off gas to burner.
- 9 Test main fuel hand-valves for operation.
- 10 Clean or replace the combustion air blower filter.
- 11 Inspect and clean the combustion air blower rotor.

ASSISTANCE IN THE EVENT OF MALFUNCTION

? Problem

- ! Possible Cause
- Solution

? Cannot initiate start sequence

- ! Air pressure switch has not made contact

- Check air pressure switch adjustment. Check air filter. Check blower rotation. Check outlet pressure from blower.

! High gas pressure switch has tripped

- Check incoming gas pressure. Adjust gas pressure if necessary. Check pressure switch setting and operation.

! Low gas pressure switch has tripped

- Check incoming gas pressure. Adjust gas pressure if necessary. Check pressure switch setting and operation.

! Malfunction of flame monitoring control system such as shorted out flame sensor or electrical noise in the sensor line

- Have a qualified electrician investigate and rectify.

! Purge cycle not completed

- Check flame monitoring control system or purge timer.

! Main power is off

- Make sure power is on to control system.

! No power to control unit

- Call qualified electrician to investigate.

? Start-up sequence runs but burner does not light

! No ignition: There is no power to the ignition transformer

- Restore power to the ignition transformer.

! No ignition: Open circuit between the ignition transformer and the spark plug

- Repair or replace the wiring to the spark plug.

! No ignition: The spark plug needs cleaning

- Clean the spark plug.

! No ignition: The spark plug is not correctly grounded to the burner

- Clean the threads of the spark plug and the burner. Do not apply grease to the thread of the spark plug.

! Too much gas: Improper gas valve train sequence

- Verify solenoid valve is down-stream of proportionator.

! Too much gas: Manual gas butterfly valves have been opened too far

- Check pressures and settings against start-up report and adjust as necessary.

! Too much gas: Gas pressure out of the main gas pressure regulator is too high

- Check start-up setting. If necessary, remove regulator and investigate.

! Not enough gas: The gas pressure out of the main gas pressure regulator is too low

- Check start-up setting. Check regulator and adjust if necessary.

! Not enough gas: Start gas solenoid valve does not open.

- Check solenoid valve coil for proper orientation. Replace if necessary.

! Not enough gas: Gas valve not open

- Check wiring to the automatic gas shut-off valve.

! Not enough gas: Air in the gas line

- Check output from the flame safeguard. Open gas cock. Purge gas line.

? The low fire flame is weak or unstable

! Low fire adjusted too slow

- Increase low fire gas setting.

! Not enough gas

- Check start-up settings and adjust to increase low gas flow.

- Check start-up settings. Investigate any change, i.e. blocked filter, loose connections.

? The burner goes off when it cycles to high fire

! Insufficient air (flame too rich)

- Check start-up settings. Check air filter, clean or replace if required.

? The burner is erratic and does not respond to adjustment

! Flame signal weak

- Check condition of flame monitoring device.

! Internal damage to the burner. Some parts inside the burner may be loose or dirty.

- Contact Honeywell Eclipse.

? The burner is unstable or produces soot or smoke

! The air/gas ratio is out of adjustment

- Measure all gas pressures and air pressures. Compare to initial start-up settings, and adjust them where necessary.

? Cannot achieve full capacity

! Air filter is blocked

- Clean or replace the air filter.

! Gas pressure is too low into the main gas pressure regulator

- Adjust gas pressure.

! Increase furnace/chamber pressures

- Re-check setup pressures.

! Poor piping practices

- Contact Honeywell Eclipse.

FOR MORE INFORMATION

The Honeywell Thermal Solutions family of products includes Honeywell Combustion Safety, Eclipse, Exothermics, Hauck, Kromschröder and Maxon. To learn more about our products, visit ThermalSolutions.honeywell.com or contact your Honeywell Sales Engineer.
Eclipse Inc.
1665 Elmwood Rd. · Rockford, IL 61103
United States
ThermalSolutions.honeywell.com

© 2021 Eclipse Inc.

EN-12

Honeywell
ECLIPSE

T.J. TUPCA · Edition 02.21

We reserve the right to make technical modifications in the interests of progress.