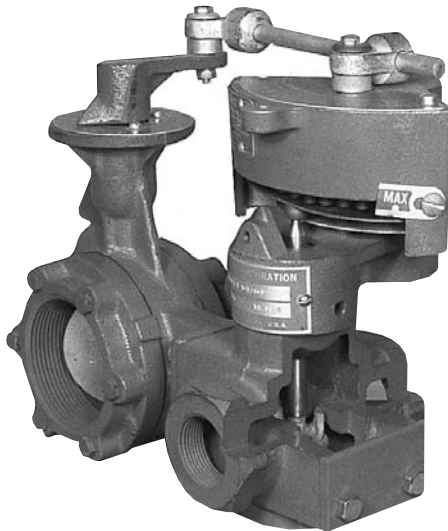


Design and Application Details

MICRO-RATIO® Valves

Principle of Operation

MICRO-RATIO® Valve assemblies typically consist of a fixed-gradient air butterfly valve mechanically linked to one or more adjustable gradient SYNCHRO Fuel Control Valve(s).



Cut-away view of M- 3" x 1-1/4" -P MICRO-RATIO® Valve

The tandem linkage gives accurate proportioning of the air/fuel(s) ratios required for your specific burner system/application.

The multiple screw adjustment feature of the SYNCHRO Valve provides a mechanical means of adjusting the air/fuel(s) ratios at each of twelve valve positions throughout the capacity range of each valve.

Maximum application flexibility is provided from over 500 possible valve combinations.

Air-gas-oil valves in tandem-linked combination are ideal for multi-zone or stand-by fuel system control.

Air-gas-oil SYNCHRO Valves may be used independently for single control or throttling of multiple flow paths or fuels.

Nomenclature

MICRO-RATIO® Valve assemblies are designated by listing the individual valves, starting with the air valve, then each of the fuel valves to be included, as well as their relative position in the assembly.

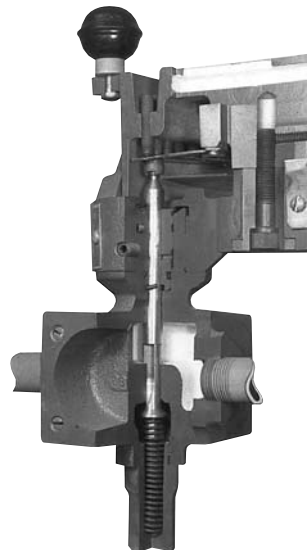
Examples:

"Duplex" MICRO-RATIO® Valve assembly

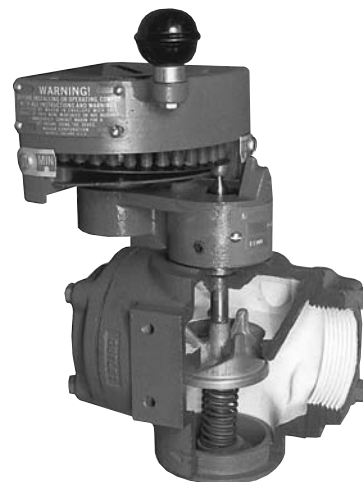
M- 6" x 2" -P
(air) x (gas)

"Quadriplex" MICRO-RATIO® Valve assembly

M- 10" x 4" -M x 1/2" -O -200 x 2" -P
(air) x (gas) x (oil) x (gas)



Cut-away view of 3/4" -O -200 SYNCHRO Oil Valve with standard cam assembly



Cut-away view of 2-1/2" -P SYNCHRO Gas Valve with standard cam assembly

Capacities and Specifications SYNCHRO and MICRO-RATIO® Valves

General

All Maxon Flow Control Valves are designed for **throttling service only** and are **not** intended for tight shut-off.

Flow direction is not a factor with butterfly-type valve bodies; however, with poppet-type SYNCHRO Valves, fluid flow through the valve must only be in the direction indicated by the arrowhead cast into each valve body.

SYNCHRO Valve Specifications

Maximum ambient temperature: 125°F (52°C)

SYNCHRO Valve		Cv Flow Factor [1]	Maximum Inlet Pressure (PSIG)	Torque Required [2] (inch-pounds)	Maximum Fluid Temperature
Type	Size				
Standard Butterfly Type	1-1/2"-M	80	5	120	200°F (93°C)
	3"-S				
	2"-M	135			
	4"-S				
	2-1/2"-M	200			
	3"-M	380			
	4"-M	600			
	6"-M	1550			
	8"-M	2750			
	10"-M [4]	4300		180	200°F (93°C)
12"-M [4]	6200				
Special High Pressure (SHP) Butterfly Type	1-1/2" -M -SHP	80	15	180	200°F (93°C)
	3" -S -SHP				
	2" -M -SHP	135	12		
	4" -S -SHP				
	2-1/2" -M -SHP	200	11		
	3" -M -SHP	380	9		
4" -M -SHP	600	6			
Gas Poppet Type	1/2" -P	4.6	20	90	200°F (93°C)
	3/4" -P	6.5			
	1" -P	8			
	1-1/4" -P	11.8	15		
	1-1/2" -P	17.7			
	2" -P	40	5		
	2-1/2" -P	50			
Oil Poppet Type	3/8" -O -8	0.05	300	125 @ 10 PSIG or 220 @ 250 PSIG	350°F (177°C)
	1/2" -O -20	0.14			
	1/2" -O -50	0.35			
	1/2" -O -100	0.7			
	3/4" -O -200	1.41			
	1" -O -400	2.82			
	1" -O -750	5.3			

[1] Cv factors based on flow through a wide-open valve.
 [2] Torque required is shown for maximum rated pressure unless noted otherwise. At lower pressures, less torque may be required.
 [3] High temperature version is available up to 450°F.
 [4] 10M and 12M SYNCHRO Valves are available as specials only

All valve combinations will be assembled in “**right hand**” flow direction unless specified as “**left hand**” assembly. When looking directly at the air valve indicator dial, a “right hand” arrangement is indicated by flow coming from the right side of the fuel valve quadrant and flowing to the left side. A “left hand” assembly is opposite, with flow from left to right.

For instructions for reversing valve body flow direction in the field, see page 7016.

Torque requirements listed in tables below are important and are to be used in selecting your automatic control operators. Torque figures (inch-pounds) are additive for your complete MICRO-RATIO® Valve assembly.

Example: For M- 6" x 2" -P MICRO-RATIO® Valve:
 M- 6" requires 60 in-lbs
 2" -P requires 90 in-lbs
 M- 6" x 2" -P assembly requires 150 in-lbs

The automatic control motor you select must be capable of developing at least 150 in-lbs of torque in order to throttle this particular MICRO-RATIO® Valve combination if valve is applied at maximum inlet pressures shown.

Air Control Valve Specifications

Maximum ambient temperature: 125°F (52°C)
 Maximum fluid temperature: 200°F (93°C)
 High temperature version available to 800°F

Butterfly Type Air Valve Size	Cv Flow Factor [1]	Maximum Inlet Pressure (PSIG)	Torque Required [2] (inch-pounds)
M- 1-1/2"	80	5	5
M- 2"	135		
M- 2-1/2"	200		
M- 3"	380		
M- 4"	600		
M- 6"	1550		
M- 8"	3750		100
M- 10"	4300		
M- 12"	6200		
M- 14"	8430		
M- 16"	11020		
M- 18"	13950		

[1] Cv factors based on flow through a wide-open valve.
 [2] Torque required is shown for maximum rated pressure. At lower pressures, less torque may be required.

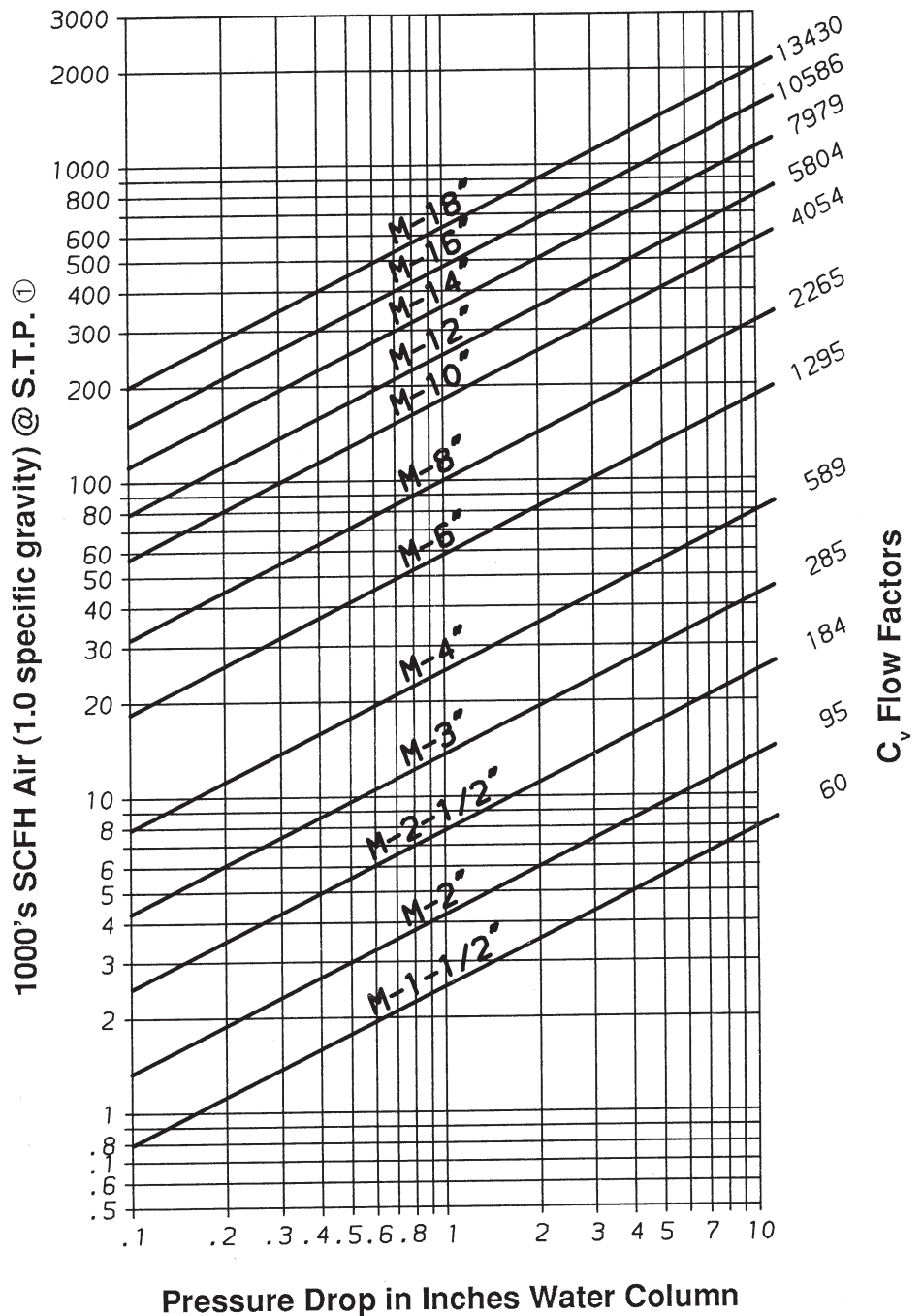
Performance Data

(M-) Style Control Valves – Air Service

Air Valves are normally sized to match the combustion air pipe sizing. Pressure drops of 1" wc to 2.5" wc are typical. If supply pressures are higher than required, smaller valves can be used, or travel limited to restrict maximum flow rate.

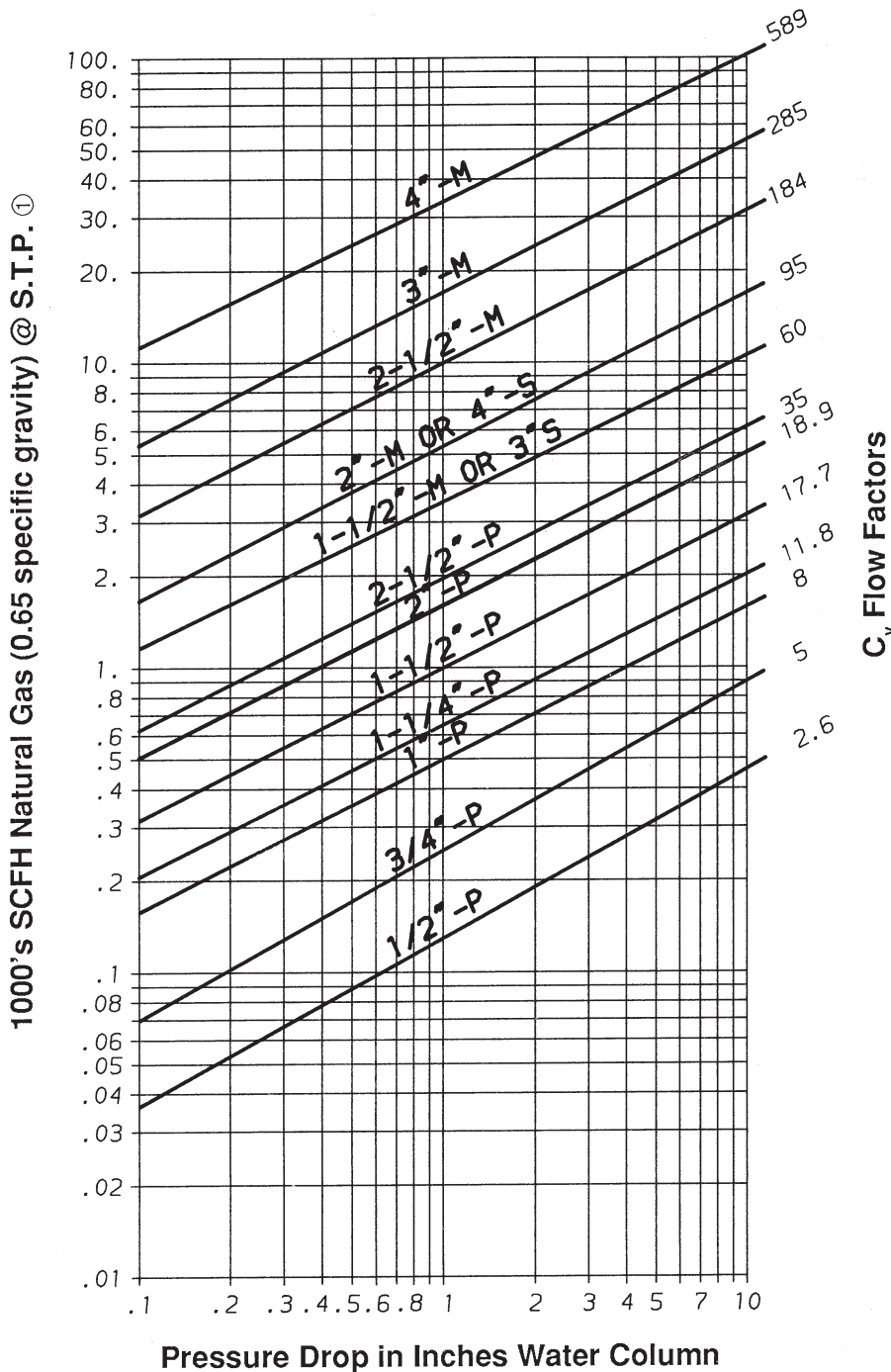
Note: The capacities and pressure drops indicated in this chart are based on flow through a wide-open valve. If valve is less than fully open, higher drops and lower flows will result.

[1] S.T.P. = Standard Temperature and Pressure defined at: (60°F and 14.7 PSIA and 15.6°C and 760mm Hg)



Performance Data

SYNCHRO Gas Valves – Natural Gas Service



Note: The capacities and pressure drops indicated in this chart are based on flow through a wide-open valve. If valve is less than fully open, higher drops and lower flows will result.

[1] S.T.P. = Standard Temperature and Pressure defined at: (60°F and 14.7 PSIA and 15.6°C and 760mm Hg)

Gas Valves are normally sized based on inlet pressure and allowable pressure drop. See guidelines at right.

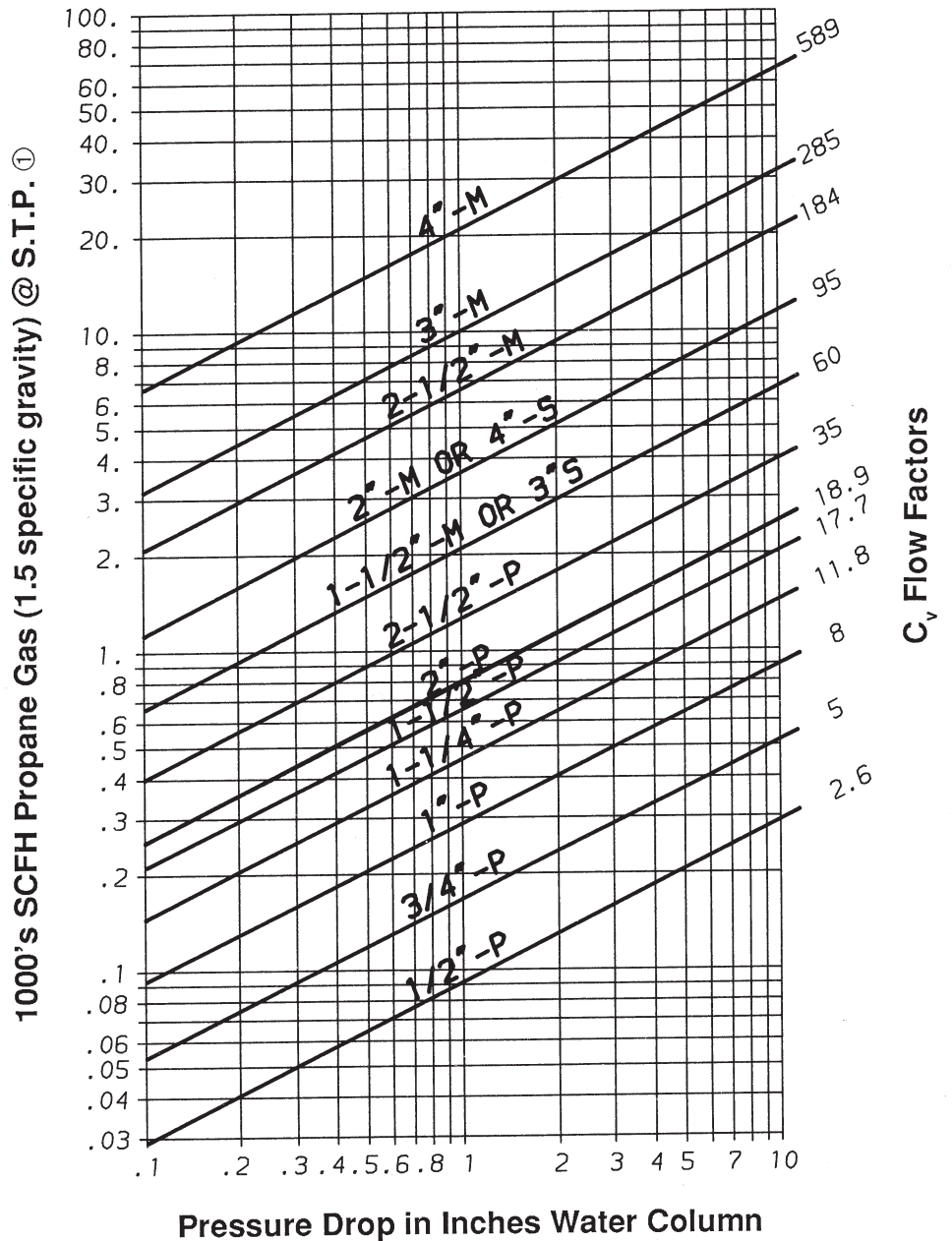
Gas Inlet Pressure	Suggested Pressure Drop
3" wc - 5" wc	0.5" wc - 1.5" wc
4 osi - 8 osi	1" wc - 2" wc
8 osi - 16 osi	2" wc - 5" wc
2 psi - 3 psi	6" wc - 10" wc

Performance Data

SYNCHRO Gas Valves – Propane Gas Service

Note: The capacities and pressure drops indicated in this chart are based on flow through a wide-open valve. If valve is less than fully open, higher drops and lower flows will result.

[1] S.T.P. = Standard Temperature and Pressure defined at: (60°F and 14.7 PSIA and 15.6°C and 760mm Hg)

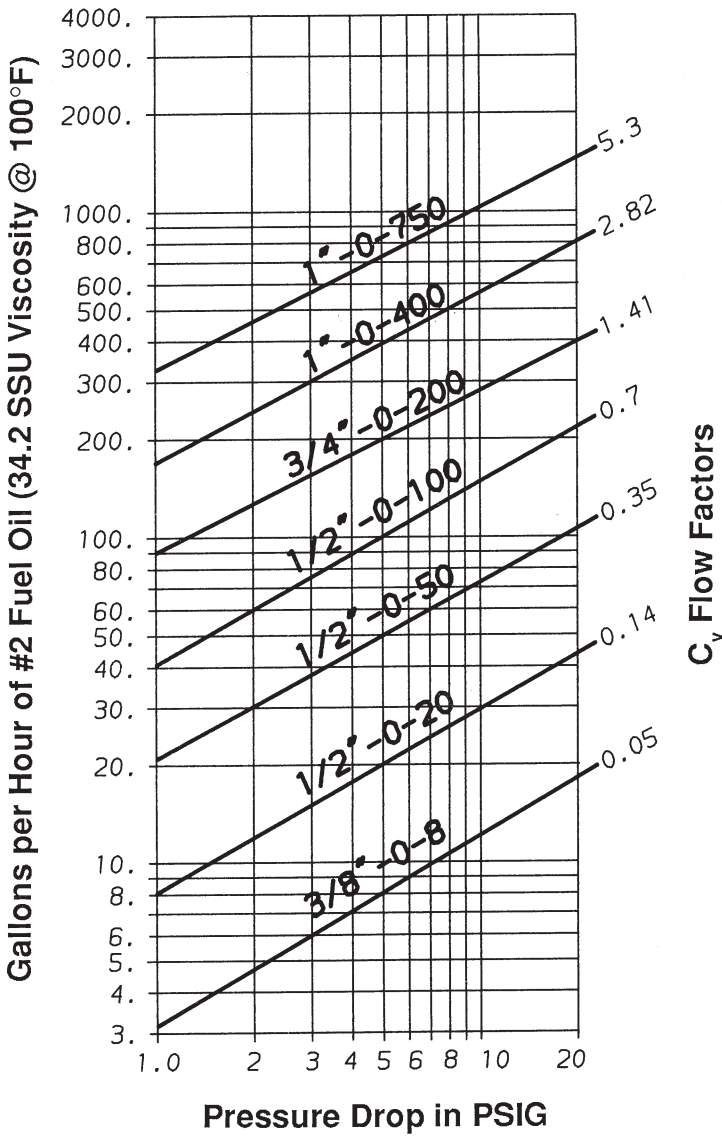


Gas Valves are normally sized based on inlet pressure and allowable pressure drop. See guidelines at right.

Gas Inlet Pressure	Suggested Pressure Drop
3" wc - 5" wc	0.5" wc - 1.5" wc
4 osi - 8 osi	1" wc - 2" wc
8 osi - 16 osi	2" wc - 5" wc
2 psi - 3 psi	6" wc - 10" wc

Performance Data

SYNCHRO Oil Valves – #2 Fuel Oil Service



Oil Valves are normally sized for approximately 5 psi pressure drop. **For #2 oil service**, see chart at left.

For preheated #5 or #6 oil, multiply the required flow rate in gph by the factor given in the table shown below the chart, then select a valve based upon that equivalent flow of #2 oil and its allowable pressure drop.

Note: The capacities and pressure drops indicated in this chart are based on flow through a wide-open valve. If valve is less than fully open, higher drops and lower flows will result.

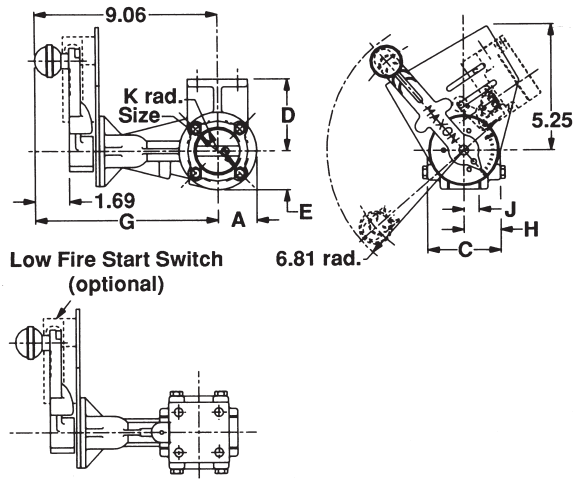
Oil Grade	#5		#6				
Temperature (°F) at Inlet	125	160	122	140	180	210	220
Factor	1.43	1.11	2.86	2	1.25	1.11	1.05

For example: To size for 5 psi drop with a 50 gph flow of #6 preheated to 140°F, the multiplier is “2”. Equivalent flow of #2 oil is then 50 x 2, or 100 gph. Chart shows that a 5 psi drop will require use of a 1/2" -O -100 SYNCHRO Oil Valve.

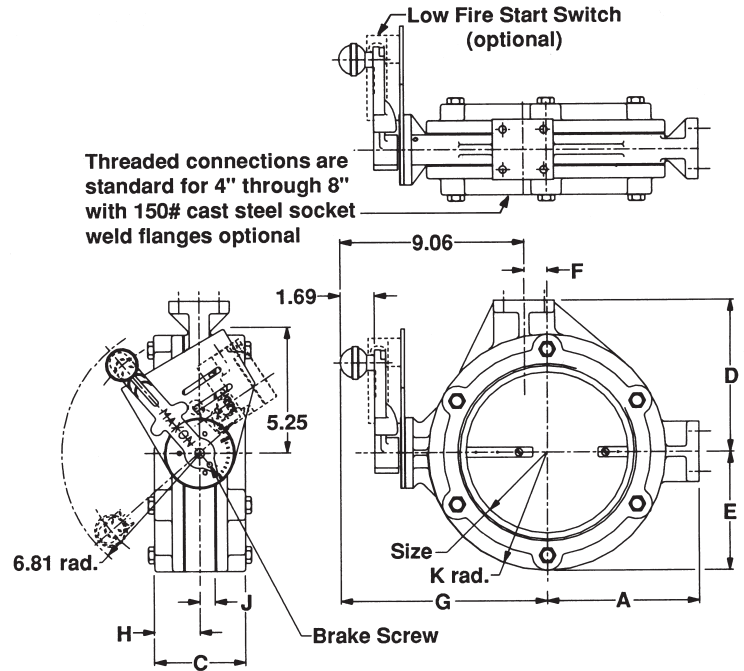
Dimensions (in inches)

(M-) Style Manual Air Control Butterfly-type Valves

M- 1-1/2" through M- 4" Valves



M- 6" through M- 18" Valves



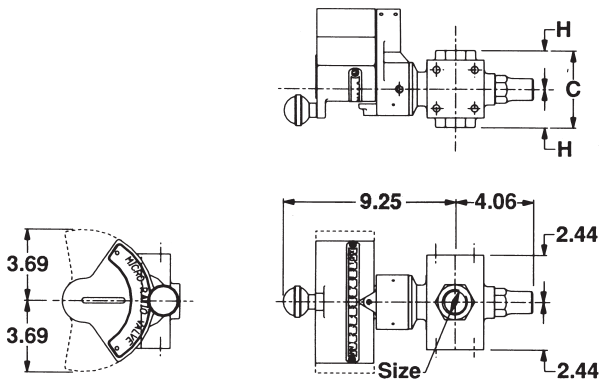
Size	A	C	D	E	F [2]	G	H [1]	J	K	
M- 1-1/2"	1.75	3.62	3.56	1.75	---	9	1.81	0.75	1.75	
M- 2"	1.94			1.94					1.94	
M- 2-1/2"	2.38	3.88		2.38					2.38	
M- 3"	2.62	4.0	4.06	2.62			2.0		2.62	
M- 4"	3.19	4.25	4.56	3.19			2.12		3.19	
M- 6"	6.06	4.25	6.06	4.44			2.12		4.44	
M- 8"	7.5	4.5	7.56	5.88	1.12	10.12	2.25	5.88		
M- 10"	7.75	6.5	8.38	6.5	3.62	12.38	3.25	1.25	8	
M- 12"	8.75	5.31	9.5	8	4.62	13.38	2.69	1.5	9.5	
M- 14"	9.75	5.38	10.5	8.69	5.75	14.5			10.5	
M- 16"	10.62	8.12	11.38	9.69	6.62	15.38			4.06	11.75
M- 18"	11.62	8.5		10.75	7.62	16.38			4.25	12.5

[1] M- 10" and larger are wafer-type. Companion flanges not included.
 [2] Centerline offset (on M- 8" and larger sizes only)

Pipe threads on this page conform to NPT (ANSI Standard B2.1)

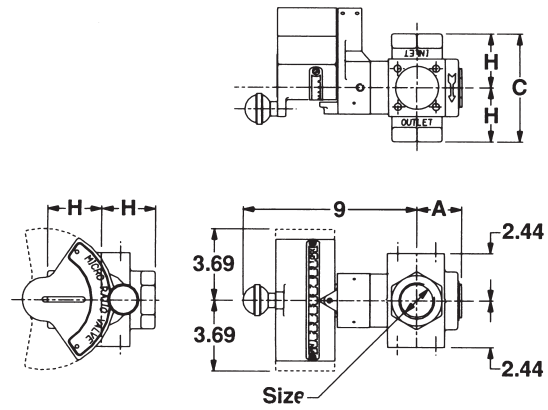
Dimensions (in inches)

SYNCHRO Oil Valves



Standard Cam Version

SYNCHRO Gas Poppet Valves



Standard Cam Version

SYNCHRO Oil Valves

Size	C		H	
	350°F	450°F	350°F	450°F
3/8" -O -8	4	4.5	2	2.25
1/2" -O -20				
1/2" -O 50				
1/2" -O -100				
3/4" -O -200				
1" -O -400				
1" -O -750				

SYNCHRO Gas Poppet Valves

Size	A	C	H
1/2" -P	1.81	4.25	2.12
3/4" -P			
1" -P	2.31	5.62	2.81
1-1/4" -P			
1-1/2" -P			
2" -P	3.75	7.25	3.62
2-1/2" -P		7.5	3.75

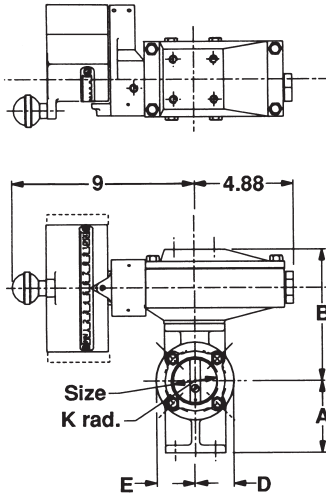
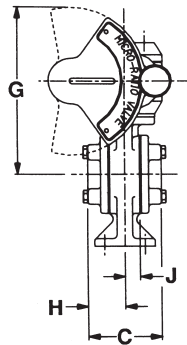
Pipe threads on this page conform to NPT (ANSI Standard B2.1)

NOTE: 1/2" through 1" SYNCHRO Oil Valves are also available in ISO Rp 7/1 and ISO 228-1 threads.

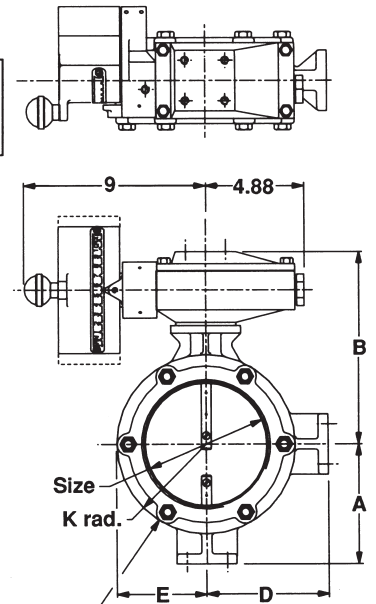
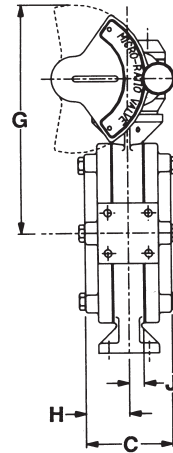
Dimensions (in inches)

(-M) Style SYNCHRO Butterfly-type Gas Valves (1-1/2" through 6") – cast iron bodies

**1-1/2" -M thru
4" -M Valves
Standard Cam
Version**
(Cam assembly
dimensions are same
for standard cam
3" -S & 4" -S Valves)



**6" -M Valve
Standard Cam
Version**



Threaded connections are standard for 4" through 8" with 150# cast steel socket weld flanges optional

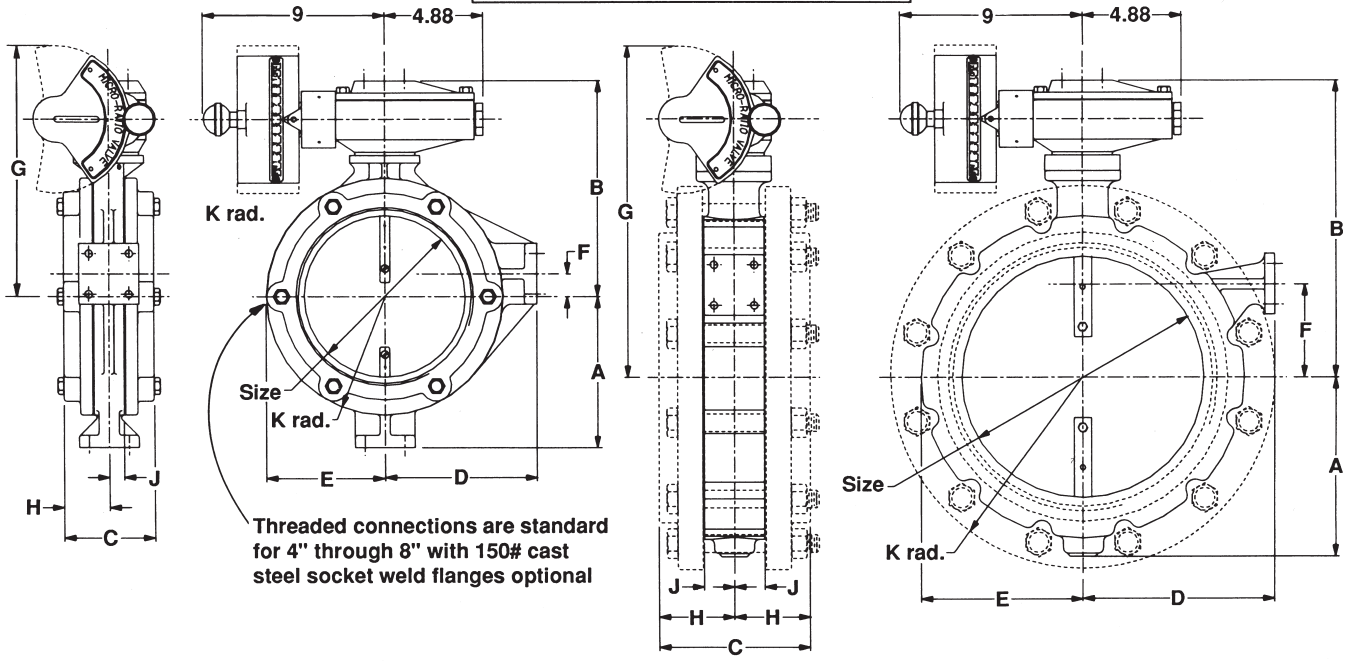
Size	A	B	C	D	E	G	H	J	K
1-1/2" -M	3.56	6.5	3.62	1.94	1.94	8.31	1.82	0.75	1.94
3" -S			7.0	2.56	2.56		3.5	2.25	2.56
2" -M			3.62	1.91	1.94		1.82	0.75	1.94
4" -S			8.25	3.19	3.19		4.12	2.75	3.19
2-1/2" -M	4.06	7.5	3.88	2.38	2.38	9.31	1.94	0.75	2.38
3" -M			4.0	2.62	2.62		2.0		2.56
4" -M			4.25	3.19	3.19		2.12		3.19
6" -M			5.94	9.56	4.25		6.06		4.44

Pipe threads on this page conform to NPT (ANSI Standard B2.1)

Dimensions (in inches)

(-M) Style SYNCHRO Butterfly-type Gas Valves (8" through 12") – cast iron bodies

8" -M through 12" -M Valves
Standard Cam Version



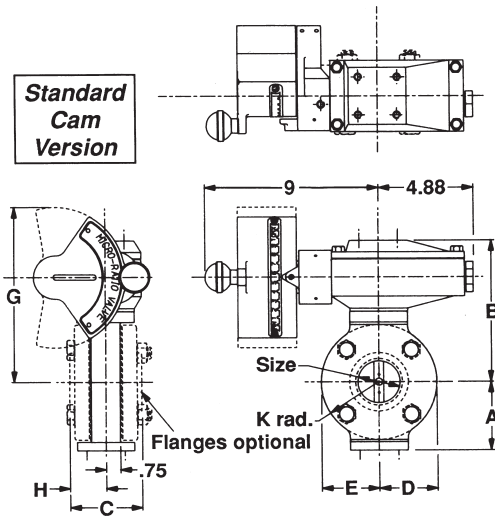
Pipe threads on this page conform to NPT (ANSI Standard B2.1)

NOTE: 10M and 12M SYNCHRO Valves are available as specials only

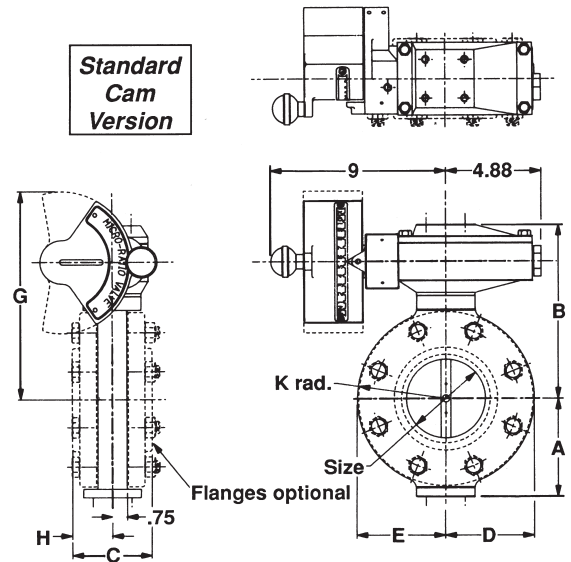
Dimensions (in inches)

(-M) Style SYNCHRO Butterfly-type Gas Valves (1-1/2" through 4" sizes, steel bodies)

1-1/2" through 3" -M Valves



4" -M Valves



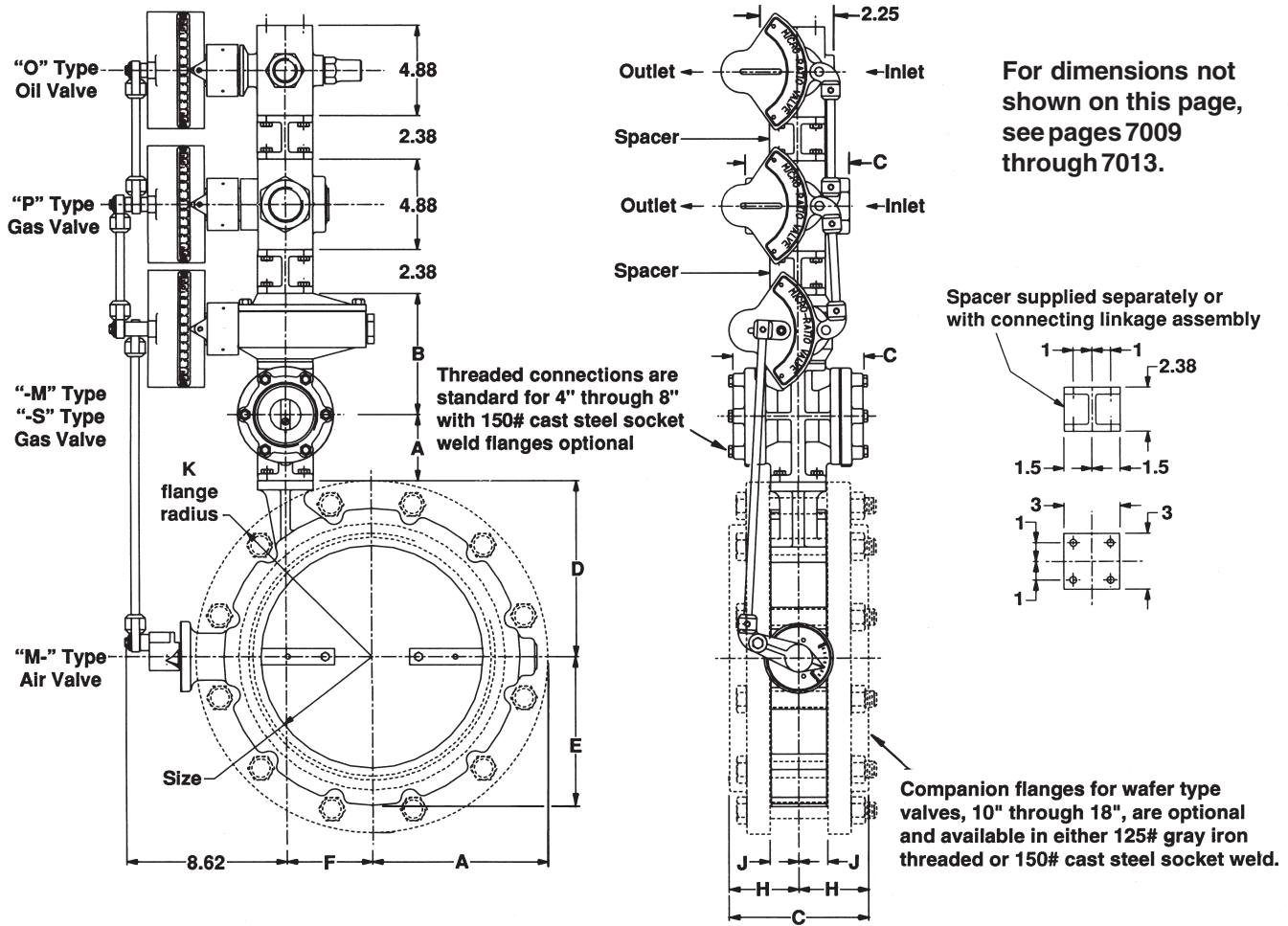
NOTE: Companion flange sets for these wafer type valves are optional and available in 150# ANSI cast steel flat faced welding flanges. Companion flange sets include 2 flanges, gaskets, nuts & bolts.

Size	A	B	C	D & E	G	H	K	Bolt Holes
1-1/2" -M	3.62	7.31	3.38	2.25	9.06	1.69	2.5	4
2" -M	3.56	7.38	3.62	3	9.12	1.81	3	
2-1/2" -M	4.06	7.88	3.88	3.5		1.94	3.5	
3" -M	4.31	8.12	4	3.75	9.88	2	3.75	
4" -M	5.06	9	4.25	4.56	10.75	2.12	4.5	8

Pipe threads on this page conform to NPT (ANSI Standard B2.1)

Dimensions (in inches)

MICRO-RATIO® Valve arrangements (right hand arrangement shown)



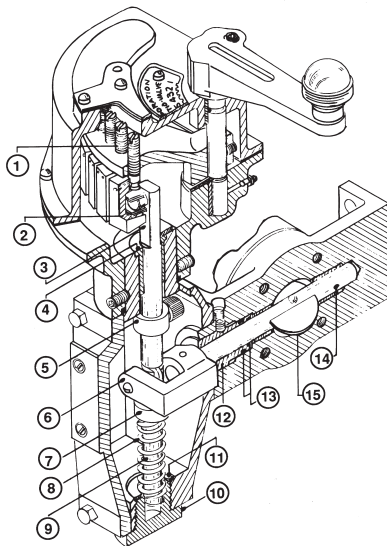
Air Control Valves									SYNCHRO Gas Valves					
									Butterfly-type			Poppet-type		
Size	A	C	D	E	F	H	J	K	Size	A	B	C	Size	C
M- 1-1/2"	1.75	3.62	3.56	1.75	---	1.81	0.75	1.75	1-1/2" -M	3.56	6.5	3.62	1/2" -P	4.25
M- 2"	1.94			1.94				2-1/2" -M	3/4" -P					
M- 2-1/2"	2.38	3.88	4.06	2.38	2.0	2.12	0.75	2.38	2" -M	7.5	4.0	3.62	1" -P	5.62
M- 3"	2.62	4.0	4.56	3.19				2.62	4" -S			8.25	1-1/4" -P	
M- 4"	3.19	4.25	6.06	4.44	2.12	2.25	0.75	3.19	2-1/2" -M	4.06	4.25	3.88	1-1/2" -P	7.25
M- 6"	6.06	4.25	5.88	1.12				4.44	3" -M			4.0	2" -P	
M- 8"	7.5	4.5	7.56	5.88	1.12	2.25	0.75	5.88	4" -M	4.56	7.5	4.25	2-1/2" -P	7.5
M- 10"	7.75	6.5	8.38	6.5	3.62	3.25	1.25	8	6" -M	5.94	9.5	4.25		
M- 12"	8.75	5.31	9.5	8	4.62	2.69	1.5	9.5	8" -M	7.38	10.69	4.5		
M- 14"	9.75	5.38	10.5	8.69	5.75			10.5	10" -M [1]	7.75	13.75	6.5		
M- 16"	10.62	8.12	11.38	9.69	6.62	4.06	1.5	11.75	12" -M [1]	8.75	14.75	7.5		
M- 18"	11.62	8.5		10.75	7.62	4.25		12.5	[1] 10M and 12M SYNCHRO are available as specials only					

Pipe threads on this page conform to NPT (ANSI Standard B2.1)

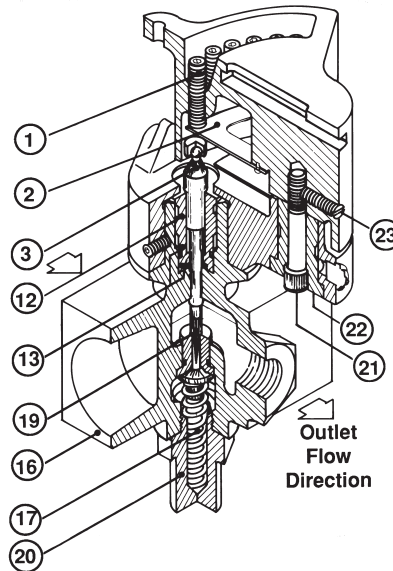
Component Identification

MICRO-RATIO® and SYNCHRO Flow Control Valves

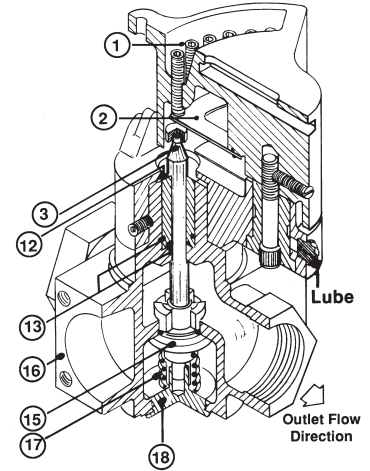
(-M) SYNCHRO Gas Valve
Butterfly-type



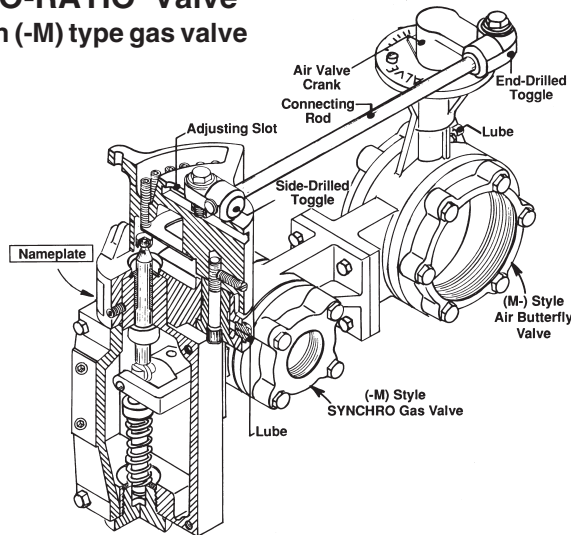
(-O) SYNCHRO Oil Valve
Poppet-type



(-P) SYNCHRO Gas Valve
Poppet-type



Duplex MICRO-RATIO® Valve
(M-) air valve with (-M) type gas valve



Legend

Item	Description
1	Adjusting Screws
2	Cam Springs
3	Plunger/Cap Assembly
4	Plunger Bushing
5	Set Collar
6	Operating Crank
7	Upper Spring Retainer
8	Gas Valve Spring
9	Spring Return Shaft
10	Shaft Retainer
11	Lower Spring Retainer
12	Packing Collar
13	O-rings
14	Operating Shaft
15	Valve Disc
16	Valve Body
17	Valve Disc Spring
18	Valve Disc Guide
19	Valve Stem
20	Spring Support Plug
21	Stud Bolt
22	Bushing
23	Locking Screw

Suggested Spare Parts

- Cam Springs
- Plunger/Cap Assembly
- Adjusting Screws

Order spare parts for Flow Control Valves by identifying required items from drawings above, and referencing information on SYNCHRO Valve nameplate (shown at right)

SYNCHRO Valve Nameplate

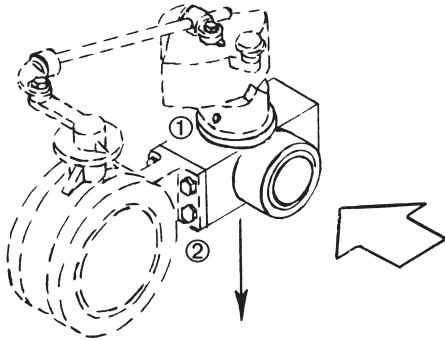


Suggested Maintenance/Inspection Procedures Maxon MICRO-RATIO® Valves

Field Rotation of SYNCHRO Valves in MICRO-RATIO® Valve Assemblies

Flow direction through (-P) and (-O) poppet-type SYNCHRO Valves must be in the direction indicated on valve body casting. If reversal of the SYNCHRO Valve body is required for piping convenience, follow these steps:

1. Loosen neck set screws (one on each side) [1].
2. Remove bracket cap screws [2] and save.
3. Remove valve body [3] while supporting air butterfly [5] and adjusting screw carrier assembly [4].
4. Rotate valve body [3] 180°, then reposition and install bracket cap screws [2] loosely.
5. Check carefully that screw carrier assembly [4] is lowered into position, then tighten neck set screws [1] into neck indentation.
6. Tighten bracket cap screws [2].

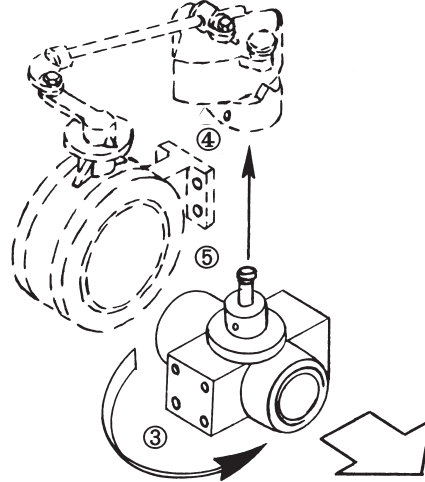


Valve Lubrication Suggestions

Some lubrication of moving parts may be required. All moving parts, O-rings and cam strips are lubricated at time of manufacturing. A periodic inspection should be performed to insure all parts continue to move freely and function properly. A periodic re-application of lubricant will extend the service life of your Maxon MICRO-RATIO® Valve.

The following lubricants are suggested:

Manufacturer	Lubricant
Keystone Div., Philadelphia, PA	#84-EP-2, NLGI #2 Lithium base grease
Standard Oil Co. (of Indiana)	Stanolith grease #42
Shell Oil Co.	Alvania grease #1
Stewart Warner Corp.	Alemite lubricant #32



Capacities and Specifications

Series “CV” Control Valves and Series “BV” Balancing Valves

General

All Maxon Flow Control Valves are designed for **throttling service only** and are not intended for tight shut-off.

Series “CV” Valves are offered in four different versions:

1. Standard assemblies **without** connecting base and linkage (CB & L) assembly (order CB & L separately)
2. UL (Underwriters Laboratory) listed assemblies **without** CB & L (CB & L ordered separately)
3. Standard assemblies **with** CB & L to accept electric control operators, such as:
 - A. **Penn/Johnson** #M-80 or #M-81
 - B. **Honeywell** #M644, #M744, #M941, #M944 or #M7044
 - C. **Barber-Colman** #EA50

Designations

Both of these valve types are designated first by the nominal pipe size (inlet and outlet) followed by the letters indicating the valve series.

Example:

- 1" - Series “BV” Balancing Valve
- 1-1/4" -U Series “CV” Control Valve

UL (Underwriters Laboratory) listed series “CV” Valve assemblies are available in all sizes for air, natural gas and liquefied petroleum gas service.

Series "CV" Control Valve Specifications

Maximum ambient temperature: 125°F (52°C)
 Maximum fluid temperature: 150°F (66°C)

Butterfly-type Series "CV" Valve Size	Cv Flow Factor [1]	Maximum Inlet Pressure (PSIG)	Torque Required [2] (inch-pounds)
1/2" -CV	5	25	25
3/4" -U -CV [3]			
3/4" -CV	11		
1" -U -CV [3]			
1" -CV	18		
1-1/4" -U -CV [3]			
1-1/4" -CV	42		
1-1/2" -CV	80		
2" -CV	138	20	
2-1/2" -CV	180		
3" -CV	265	15	

[1] Cv factors based on flow through a wide-open valves.

[2] Torque required is shown for maximum rated pressure. At lower pressures, less torque may be required.

[3] "U" designates undersized ports.

Series "BV" Balancing Valve Specifications

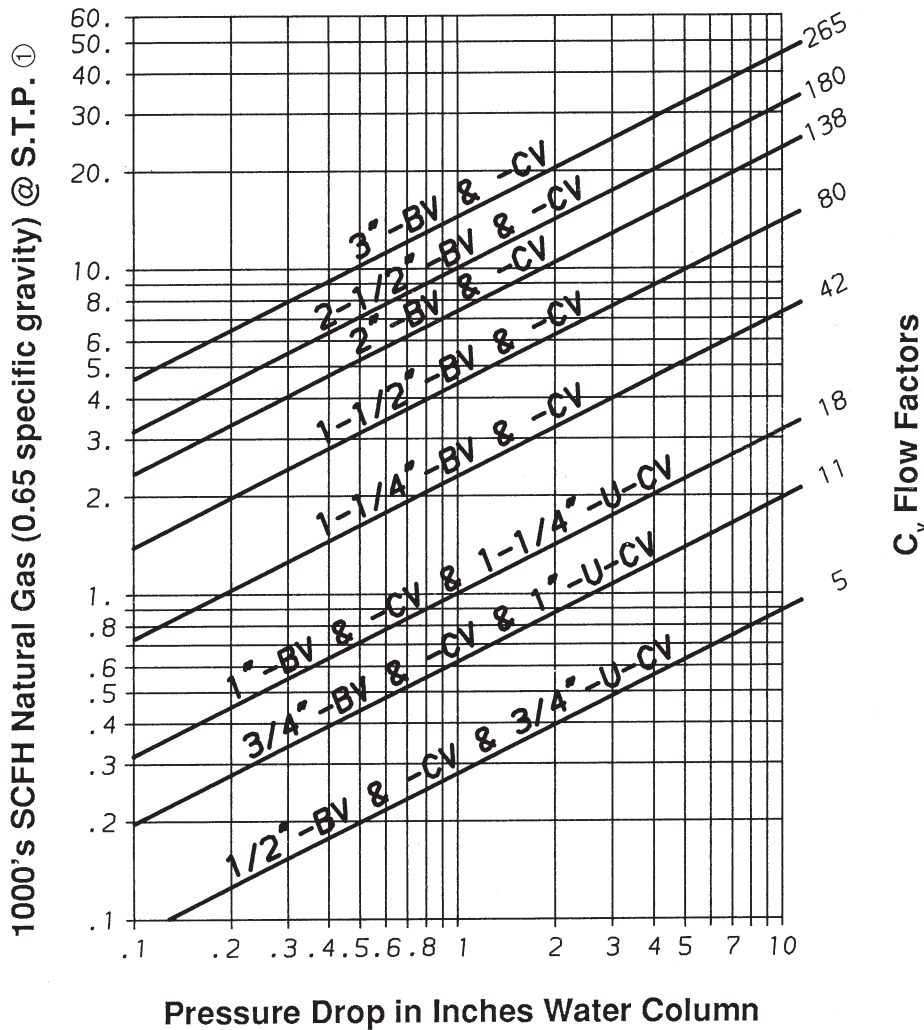
Maximum ambient temperature: 125°F (52°C)
 Maximum fluid temperature: 150°F (66°C)

Butterfly-type Series "BV" Valve Size	Cv Flow Factor [1]	Maximum Inlet Pressure (PSIG)
1/2" -BV	5	25
3/4" -BV	11	
1" -BV	18	
1-1/4" -BV	42	
1-1/2" -BV	80	
2" -BV	138	20
2-1/2" -BV	180	
3" -BV	265	15

[1] Cv factors based on flow through a wide-open valve.

Performance Data

Series "BV" and "CV" Gas Control Valves – Natural Gas Service



Note: The capacities and pressure drops indicated in this chart are based on flow through a wide-open valve. If valve is less than fully open, higher drops and lower flows will result.

[1] S.T.P. = Standard Temperature and Pressure defined at: (60°F and 14.7 PSIA and 15.6°C and 760mm Hg)

Gas Inlet Pressure	Suggested Pressure Drop
3" wc - 5" wc	0.5" wc - 1.5" wc
4 osi - 8 osi	1" wc - 2" wc
8 osi - 16 osi	2" wc - 5" wc
2 psi - 3 psi	6" wc - 10" wc

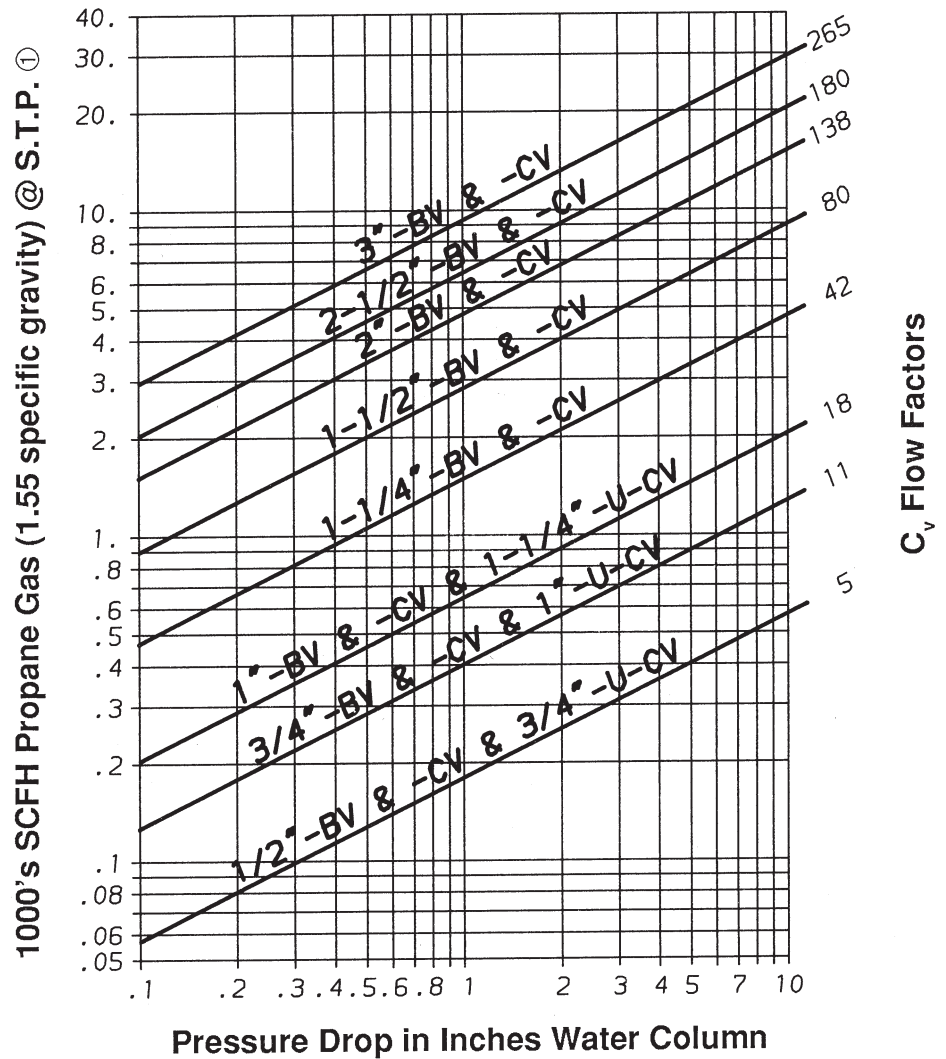
Gas Valves are normally sized based on inlet pressure and allowable pressure drop. See guidelines at left.

Performance Data

Series "BV" and "CV" Gas Control Valves – Propane Gas Service

Note: The capacities and pressure drops indicated in this chart are based on flow through a wide-open valve. If valve is less than fully open, higher drops and lower flows will result.

[1] S.T.P. = Standard Temperature and Pressure defined at: (60°F and 14.7 PSIA and 15.6°C and 760mm Hg)

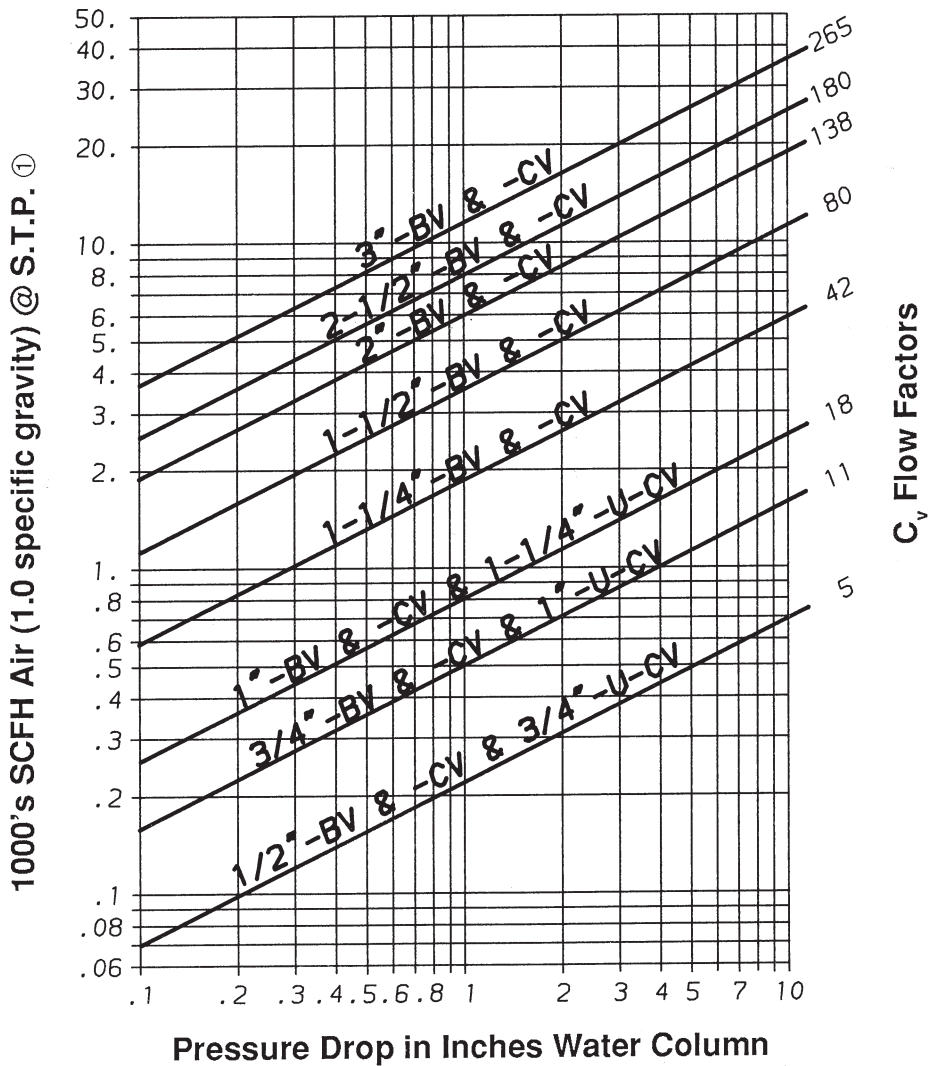


Gas Valves are normally sized based on inlet pressure and allowable pressure drop. See guidelines at left.

Gas Inlet Pressure	Suggested Pressure Drop
3" wc - 5" wc	0.5" wc - 1.5" wc
4 osi - 8 osi	1" wc - 2" wc
8 osi - 16 osi	2" wc - 5" wc
2 psi - 3 psi	6" wc - 10" wc

Performance Data

Series "BV" and "CV" Gas Control Valves – Air Service



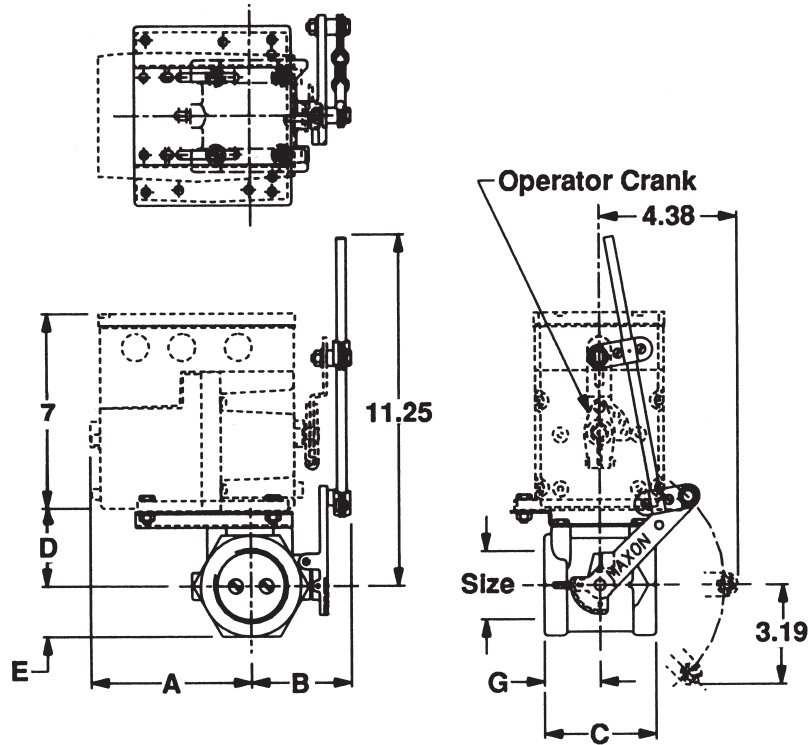
Note: The capacities and pressure drops indicated in this chart are based on flow through a wide-open valve. If valve is less than fully open, higher drops and lower flows will result.

[1] S.T.P. = Standard Temperature and Pressure defined at: (60°F and 14.7 PSIA and 15.6°C and 760mm Hg)

Air Valves are normally sized to match the combustion air pipe sizing. Pressure drops of 1" wc to 2.5" wc are typical. If supply pressures are higher than required, smaller valves can be used, or travel limited to restrict maximum flow rate.

Dimensions (in inches)

Series "CV" Control Valves



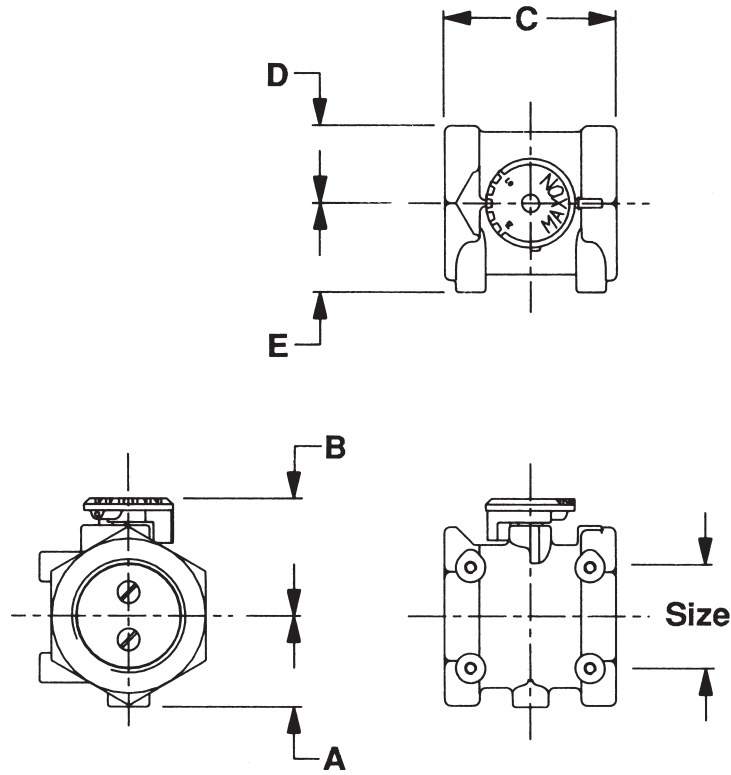
Size	A		B	C	D	E	G
	B-C [1]	M-H [2]					
1/2"	4.19	4.62	3.06	3.16	1.78	0.78	1.58
3/4"					1.89		
1"				3.25	1.98	1	1.62
1-1/4"				3.38	1.94	1.19	1.69
1-1/2"	3.94	4.38	3.31	3.62	2.38	1.62	1.81
2"							
2-1/2"	3.19	3.62	4.06	4.62	2.69	1.94	2.31
3"				5	3.06	2.31	2.5

[1] Barber-Colman
 [2] Honeywell

Pipe threads on this page conform to NPT (ANSI Standard B2.1)

Dimensions (in inches)

Series "BV" Balancing Valves



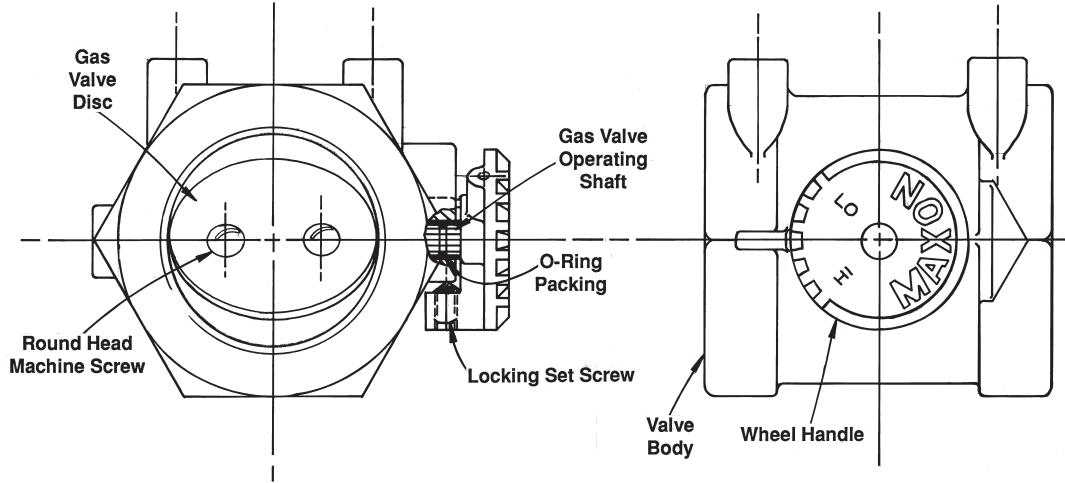
Size	A	B	C	D	E
1/2"	1.25	2.25	3.16	0.75	1.25
3/4"			3.25	1	
1"			3.38	1.19	
1-1/4"	1.38	2.5	3.62	1.31	1.56
1-1/2"	1.81			1.62	1.88
2"	1.88			1.94	2.19
2-1/2"	2.75	3.25	4.62	2.31	2.56
3"			5	2.31	

Pipe threads on this page conform to NPT (ANSI Standard B2.1)

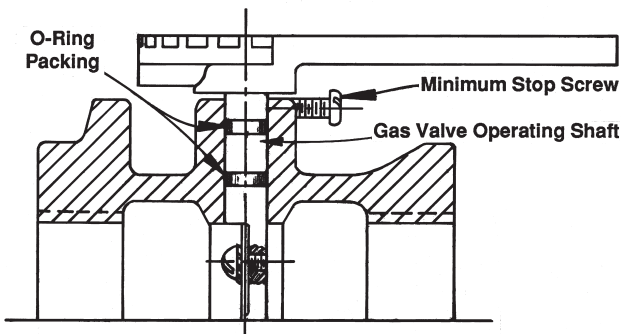
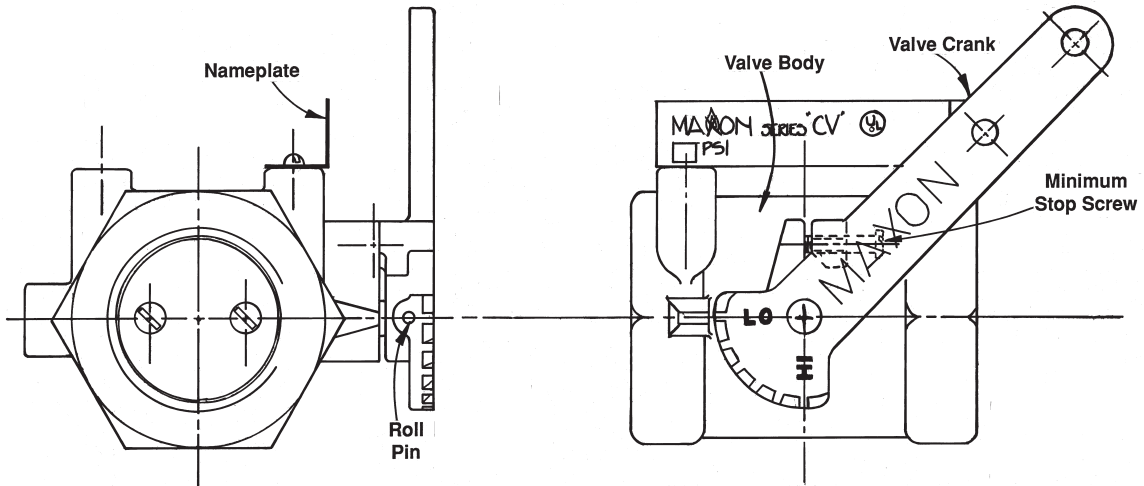
Component Identification

Series "BV" Balancing Valves and Series "CV" Flow Control Valves

Series "BV" Balancing Valve



Series "CV" Control Valves



Typical internal construction
(Series "CV" Valve shown)



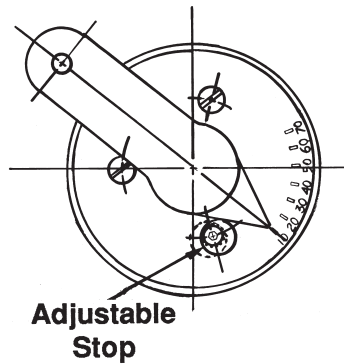
Series "CV" Control Valve Nameplate

Order spare parts for Series "CV" and "BV" Flow Control Valves by identifying required items from the drawings above and referencing information on valve nameplate (shown above).

Accessories

Adjustable Stop for air control valves

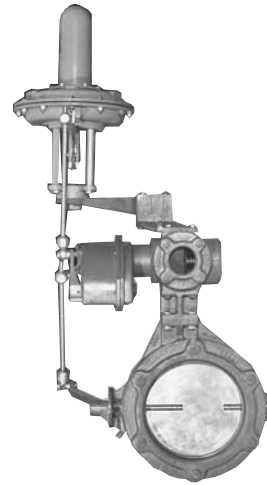
Optional Adjustable Stop shown at right sets a minimum to prevent full closure of the air valve.



Connecting Base & Linkage Assemblies

Maxon has designed a broad range of Connecting Base & Linkage Assemblies (CB & L) to properly position and align the popular operators for control of Maxon flow control valves.

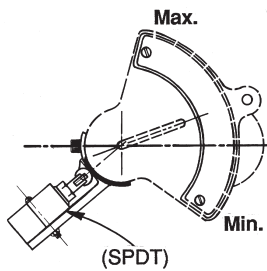
Proper position and alignment are essential for smooth and trouble-free operation of flow control valves.



Position Switches for electrical indication of valve position

Standard Low Fire Start (LFS) Switch opens the circuit when valve leaves minimum position. Weather-proof and Hazardous Location/Weatherproof versions differ only in the physical switch size and rating. High and low fire position switch includes (2) SPDT switches. One switch may be field-set to activate at "high" position, while other is set to activate at "low" fire position.

For SYNCHRO Valves



Air operator shown on MICRO-RATIO® Valve