



# OXYTHERM<sup>®</sup> LE Burners

## ASSEMBLY NUMBER PAGES

### Configured Item Number: OT LE

#### Segment choices for configured item number OT LE

Segment name	Segment description	Segment choices (DEFAULT is shaded)	Segment choice description
SERIES	Choice of burner series	12	1200 Series
		6	600 Series
		9	900 Series
FUEL	Choice of fuel	G	Gas
		O	Oil

#### Segment choices for configured item number OT LE 600/900/1200 GAS

Segment name	Segment description	Segment choices (DEFAULT is shaded)	Segment choice description
BURNER MAX CAPACITY MMBTU/HR	Maximum capacity in MMBtu/hr (varies by burner size)	1.0	Maximum capacity for Series 600
		6.0	Maximum capacity for Series 900
		10.0	Maximum capacity for Series 1200
FUEL	Choice of fuel	N	Natural gas
		O	Other gas (see Engrg)
		P	Propane gas
BLOCK MATERIAL	Choice of block material	A	Alumina/zirconia/silica
		Z	Zirconia
PILOT	Choice of pilot	N	No pilot chosen
		O	Oxy-fuel pilot chosen
FUEL NET HEAT VALUE (BTU/CF)	Heat value per cubic foot	1000	Enter value
NOZZLE VELOCITY (FPS)	Required velocity	400	Enter value



### Segment choices for configured item number OT LE 600 GAS NZL

Segment name	Segment description	Segment choices (DEFAULT is shaded)	Segment choice description
ORIFICE SIZE	Choice of nozzle orifice size for Series 600	125	X = .125"
		159	X = .159"
		228	X = .228"
		234	X = .234
		257	X = .257"
		277	X = .277"
		312	X = .312"
		323	X = .323"
		332	X = .332"
		348	X = .348"
		368	X = .368"
		375	X = .375"
		377	X = .377"

### Segment choices for configured item number OT LE 900 GAS NZL

Segment name	Segment description	Segment choices (DEFAULT is shaded)	Segment choice description
ORIFICE SIZE	Choice of nozzle orifice size for Series 900	154	X = .154"
		169	X = .169"
		323	X = .323"
		377	X = .377"
		406	X = .406"
		438	X = .438"
		453	X = .453"
		484	X = .484"
		500	X = .500"
		516	X = .516"
		562	X = .562"
		578	X = .578"
		580	X = .580"
		609	X = .609"
		618	X = .618"
		625	X = .625"
		678	X = .678"
		700	X = .700"
750	X = .750"		
797	X = .797"		

### Segment choices for configured item number OT LE 1200 GAS NZL

Segment name	Segment description	Segment choices (DEFAULT is shaded)	Segment choice description
ORIFICE SIZE	Choice of nozzle orifice size for Series 1200	656	X = .656"
		719	X = .719"
		875	X = .875"
		938	X = .938"
		969	X = .969"
		1000	X = 1.00"

### Segment choices for configured item number OT LE 600/900/1200 OIL

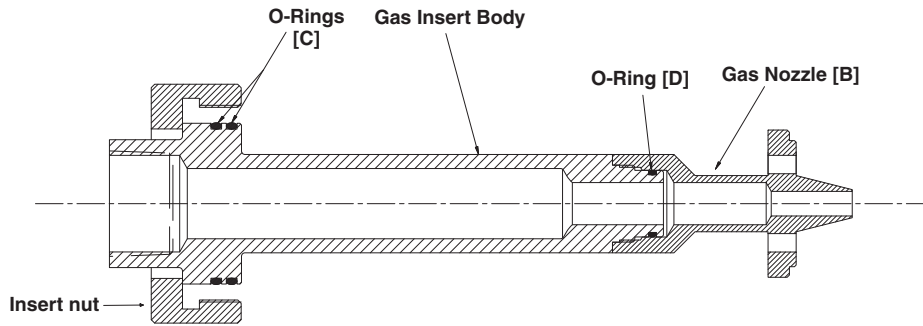
Segment name	Segment description	Segment choices (DEFAULT is shaded)	Segment choice description
BURNER SIZE	Choice of burner size	07	607/907 Series [1]
		10	910 Series
		15	915 Series
		20	920 Series
		30	930/1230 Series (DEFAULT for 1200 Series) [1]
		40	1240 Series [1]
FUEL	Type of oil	2	#2 fuel oil
		6	Preheated #6 fuel oil
BLOCK MATERIAL	Choice of block material	A	Alumina/zirconia/silica
		Z	Zirconia
PILOT	Choice of pilot	N	No pilot chosen
		O	Oxy pilot without UV location
		U	Oxy pilot with UV location
FUEL HEATING VALUE (BTU/GAL)	Heat value per gallon	145000	Enter value

[1] For 600 Series, 07 is the only choice. For 1200 Series, 30 and 40 are the only choices

### Replacement parts

OXYTHERM® LE burner type		Series 600		Series 900		Series 1200	
Fuel service		Gas	Oil	Gas	Oil	Gas	Oil
Block & frame (no pilot)	AZS	44336		44000		44376	
	Zirconia	44337		44001		44377	
Block & frame (with pilot provision)	AZS	45506		45508		45510	
	Zirconia	45507		45509		45511	
Body gasket		50111404-001		50111394-001			
Nozzle body insert		50111394-001		50111374-001		50111382-001	
Housing hex nuts		43874 (qty. 12)					
Krytox grease (2 oz.)		46573					
Oxy pilot		1079805					
Oxy pilot with UV provision		---	1052871	---	1052871	---	1052871

## GAS INSERT ASSEMBLY

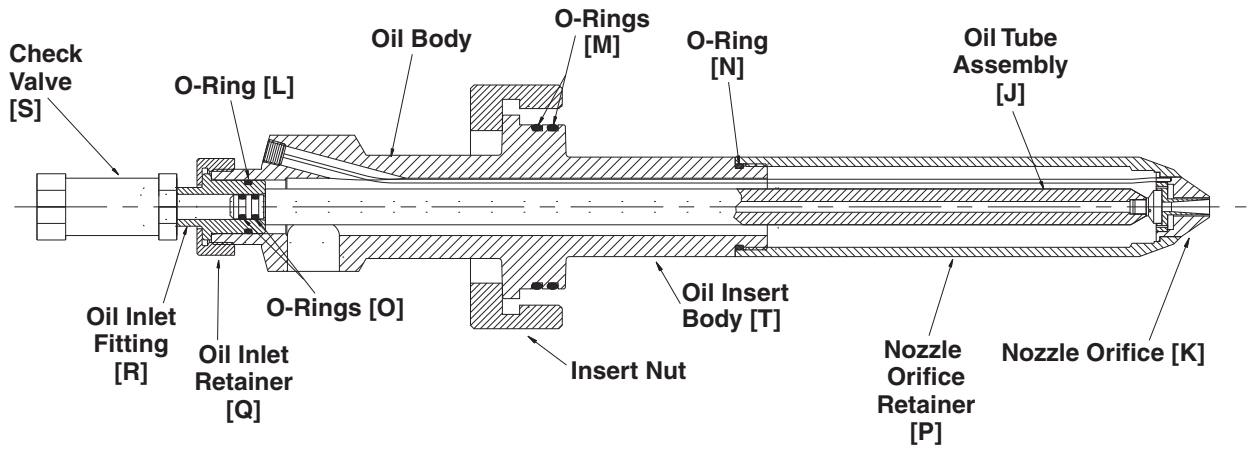


OXYTHERM® LE gas burner model		Series 600	Series 900	Series 1200
A	Gas insert assembly (qty. 1)	600 OT LE REPL [1]	900 OT LE REPL [1]	1200 OT LE REPL [1]
---	Nozzle body insert (qty. 1)	50111391-001	50111374-001	50111382-001
B	Gas nozzle (qty. 1)	600 OT LE REPL [1][2]	900 OT LE REPL [1][2]	1200 OT LE REPL [1][2]
C	O-ring Viton (qty. 2)	38386 [2]	30455 [2]	30455 [2]
D	O-ring Viton (qty. 1)	26471 [2]	32984 [2]	32984 [2]

[1] Maxon original sales order number required

[2] Gas nozzle and o-rings included on gas insert assembly

## OIL INSERT SUB-ASSEMBLY



OXYTHERM® LE oil burner model	607	907	910	915	920	930	1230	1240
--- Oil insert (inlet body) sub-assembly	44333	44080	44081	44082	44083	44084	44084	44334
--- Nozzle body insert	50111391-001	50111374-001	50111374-001	50111374-001	50111374-001	50111382-001	50111382-001	50111382-001
--- Insert nut	43290							
J Oil tube assembly	44331	44075	44076	44077	44078	44079	44079	44332
K Oil cap (nozzle orifice)	---	50111375-001	50111395-001	50111377-001	50111378-001	50111379-001	50111379-001	50111381-001
L O-ring Viton [1]	32983 (qty. 1)							
M O-ring Viton [1]	38386 (qty. 2)	30455 (qty. 2)						
N O-ring Viton [1]	32982 (qty. 1)	47776 (qty. 1)						
O O-ring Viton [1] [2]	43359 (qty. 2)							
P Orifice retainer	50111383-001	50111397-001						
Q Oil inlet retainer	43294	43294						
R Oil inlet fitting	50111372-001	50111372-001						
S Check valve	43381	43381						
T Oil insert body	50111407-001	50111373-001						

[1] O-rings included in oil insert sub-assembly

[2] O-rings included in oil tube sub-assembly

## Assembly numbers for OXYTHERM® LE EX burners

### Gas OXYTHERM® LE EX burners

Description		Assembly number
Series 600	OXYTHERM® LE EX gas burners with AZS block	57805
Series 900	OXYTHERM® LE EX gas burners with AZS block	57807

### Oil OXYTHERM® LE EX burners

Description		Assembly number
Series 607	OXYTHERM® LE EX oil burners with AZS block	1112127
Series 907	OXYTHERM® LE EX oil burners with AZS block	1112128
Series 910	OXYTHERM® LE EX oil burners with AZS block	1112129
Series 915	OXYTHERM® LE EX oil burners with AZS block	1112130
Series 920	OXYTHERM® LE EX oil burners with AZS block	1112131
Series 930	OXYTHERM® LE EX oil burners with AZS block	1112132

### Replacement parts for OXYTHERM® LE EX burners

OXYTHERM® LE EX burner series	Series 600		Series 900	
	Gas	Oil	Gas	Oil
Block & frame	57770	---	57771	---
Orifice plate	57739		57740	
Body gasket	50111404-001		50111394-001	
Housing hex nuts	43874 (qty. of 12 required)			
Krytox grease (2 oz.)	46573			

OXYTHERM® LE EX gas burner model	Series 600	Series 900
Gas insert assembly [1]	57775	57776
Gas nozzle [1]	57745	57746
Gas nozzle extension	57996	57997
O-ring Viton [2]	38386 (qty. 2)	30455 (qty. 2)
O-ring Viton [2]	26471 (qty. 2)	32984 (qty. 2)

[1] Maxon original sales order number required

[2] O-rings included on gas insert sub-assembly

OXYTHERM® LE EX oil burner model	607	907	910	915	920	930
Oil insert (inlet body) sub-assembly	58174	58175	58176	58177	58178	58179
Oil tube assembly	58201	58202	58203	58204	58205	58206
Oil cap (nozzle orifice)	---	50111375-001	50111395-001	50111377-001	50111378-001	50111379-001
O-ring Viton [1]	32982 (qty. 2)	47776 (qty. 2)				
O-ring Viton [1]	38386 (qty. 2)	30455 (qty. 2)				
O-ring Viton [1] [2]	43359 (qty. 2)					
O-ring Viton [1] [2]	32983 (qty. 1)					
Orifice retainer	50111383-001	50111397-001				
Oil inlet retainer	43294	43294				
Oil inlet fitting	50111372-001	50111372-001				
Check valve	43381	43381				
Oil insert body	50111407-001	50111373-001				
Oil nozzle extension	58128	58127				

[1] O-rings included in oil insert sub-assembly

[2] O-rings included in oil tube sub-assembly

### **For More Information**

The Honeywell Thermal Solutions family of products includes Honeywell Combustion Safety, Eclipse, Exothermics, Hauck, Kromschröder and Maxon. To learn more about our products, visit [ThermalSolutions.honeywell.com](http://ThermalSolutions.honeywell.com) or contact your Honeywell Sales Engineer.

### **Honeywell MAXON branded products**

201 E 18th Street  
Muncie, IN 47302  
USA

[www.maxoncorp.com](http://www.maxoncorp.com)

### **Honeywell Process Solutions**

Honeywell Thermal Solutions (HTS)  
1250 West Sam Houston Parkway  
South Houston, TX 77042  
[ThermalSolutions.honeywell](http://ThermalSolutions.honeywell)

® U.S. Registered Trademark  
© 2017 Honeywell International Inc.  
32M-72010-01 M.S. Rev. 04-17  
Printed in United States

