

Honeywell

SLATE™

10" Color Touch Screen Display

R8001K1010

INSTALLATION INSTRUCTIONS





Scan for more information

Application

SLATE™ brings configurable safety and programmable logic together into one single platform. The platform can easily be customized for almost any requirement or application—offering virtually limitless development opportunities with far less complexity.

The R8001K1010 SLATE 10" Color Touch Screen Display provides users with the ability to create vivid application displays using web technology. The screen is web enabled and with the SLATE Web Editor tool creating screens is simple and easy.

Features

- Display screens are web pages served from SLATE Base Module
- Integrated view of SLATE system
- Standard Honeywell pages for Burner Control, Fuel Air Ratio, Limit and Base modules

Specifications

Electrical Ratings:

Voltage and Frequency: 24 VAC, 50/60Hz; 24AC/DC

Environmental Ratings

Ambient Temperature:

Operating: 32° F to 158° F (0° C to 70° C)

Shipping: -40° F to 158° F (-40° C to 70° C)

Humidity: 95% continuous, noncondensing.

Dimensions: See Fig. 1.

Weight: 4 lb 5 oz (1.5 Kg)

Panel Mounting

The display can be mounted through a cutout in the panel door, using four #4 thread-forming Plastite screws. See Fig. 3.

For standard panel thicknesses of 0.060"–0.090" Honeywell recommends screw length of 3/8". See Fig. 2 for hole spacing.

Required Components

R8001A1001 SLATE Base Controller

Power Plug Recommendations

The SLATE 10 inch color touch screen display will not come with a power plug connector. The following are recommendations for the power connection. See Fig. 4 for plug locations.

- 24VAC Wall Plug-in Transformer
(Input Voltage: 120VAC, 60HZ – Output Voltage: 24VAC ±5%). Honeywell p/n 32006131 or equivalent.
- 18AWG wire
- Plug-in connectors (or equivalent) NOT INCLUDED:
 - Phoenix - p/n 1757019
 - EBY Electro - p/n EB1508-02-500
 - Dinkle – p/n 2ESDV-02P
 - Molex – p/n 0395300002

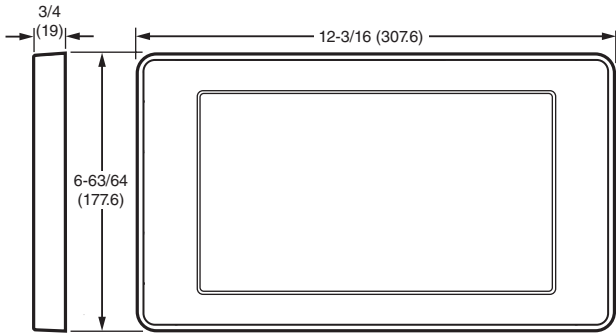


Fig. 1. Dimensions in in. (mm).

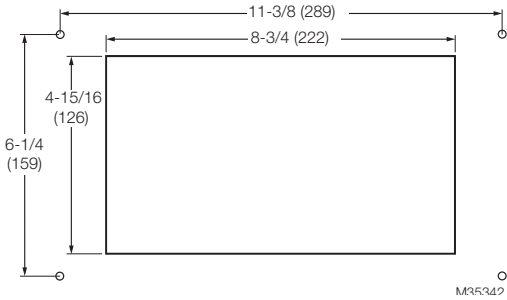


Fig. 2. Mounting dimensions of color touch screen display in in. (mm).

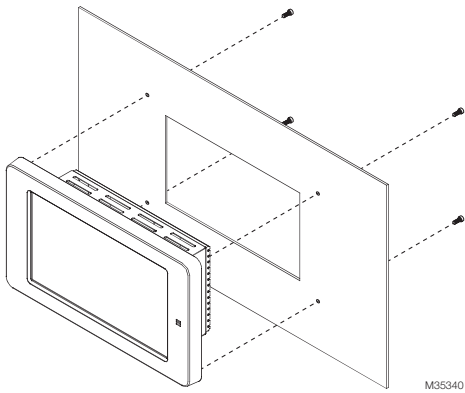


Fig. 3. Panel mounting of color touch screen display.

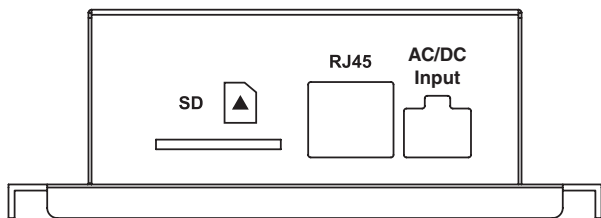


Fig. 4. Touch screen display inputs.

Note: SD card slot for future display firmware updates.

Principal Technical Features

The R8001K1010 color touch screen display provides a web-based user interface for viewing system status, and viewing, creating, or modifying configurations.

Communications and Networking

The R8001K1010 color touch screen display interfaces directly with the SLATE system using a standard Ethernet connection, and can connect directly to the Base module or via an Ethernet switch.

The R8001K1010 color touch screen display locates all base modules on an IP subnet using a subnet broadcast message, and once located allows users to select one to initiate a connection to that SLATE system.

User Interface and Technology

The R8001K1010 color touch screen display is based on the Google Chrome™ browser and supports HTML5.

A double tap on any web screen activates the Home, Back, and Help buttons, URL address bar, plus other controls that are normally hidden from view. Double tapping again deactivates these controls.

Installation

WARNING

Fire or Explosion Hazard Can cause severe injury, death, or property damage.

Verification of safety requirements must be performed each time a control is installed on a burner to prevent possible hazardous burner operation.

When Installing This Product

1. Read these instructions carefully. Failure to follow them could damage the product or cause a hazardous condition.
2. Check the ratings given in the instructions and on the product to make sure the product is suitable for your application.

WARNING

Electrical Shock Hazard.

Can cause severe injury, death or equipment damage.

1. Disconnect the power supply before beginning installation to prevent electrical shock and equipment damage. More than one power supply disconnect can be involved.
2. Wiring must comply with all applicable codes, ordinances and regulations.



32-00095-03

IMPORTANT

- 1. This equipment generates, uses and can radiate radio frequency energy and, if not installed and used in accordance with these instructions, may cause interference for radio communications. It has been tested and found to comply with the limits of a Class A computing device of part 15 of FCC rules, which are designed to provide reasonable protection against such interference when operated in a commercial environment. Operation of this equipment in a residential area may cause interference; in which case, the user, at their own expense, may be required to take whatever measures are required to correct this interference.*
- 2. This digital apparatus does not exceed the Class A limits for radio noise, set out in the Radio Interference Regulations of the Canadian Department of Communications.*



WARNING

Electrical Shock Hazard.

Can cause severe injury, death or equipment damage.

Disconnect the power supply from the main disconnect before beginning installation to prevent electrical shock and equipment damage. More than one disconnect can be required.

For more information and detailed instructions on the SLATE display please refer to the SLATE User Guide document located on our website at <http://combustion.honeywell.com/SLATE>

Honeywell

Honeywell Process Solutions

Honeywell Thermal Solutions (HTS)
1250 West Sam Houston Parkway
South Houston, TX 77042
ThermalSolutions.honeywell

* U.S. Registered Trademark.
© 2018 Honeywell International Inc.
32-00095—03 M.S. 05-18
Printed in U.S.A.