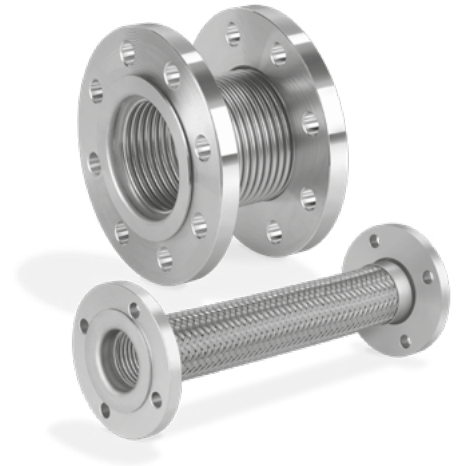


Stainless steel bellows units EKO, stainless steel flexible tubes ES

TECHNICAL INFORMATION

- EKO: fault-free machine operation due to absorption of thermal and pressure expansions
- EKO: high bursting resistance due to multiple-layer bellows
- EKO: axial and lateral movement absorption
- ES: protection from material fatigue thanks to vibration absorption
- ES: angular and lateral movement absorption
- ES: compensation for installation tolerances due to optional lengths

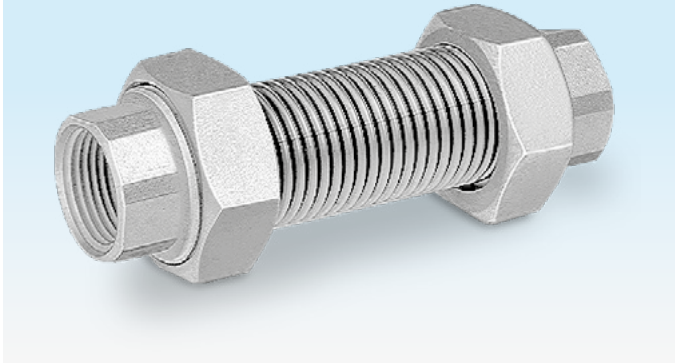


Contents

Contents	2	6.5 ES dimensions	18
1 Application	3	6.6 EKO, ES reduction factors	19
1.1 EKO	3	7 Maintenance cycles	20
1.2 ES	4	8 Glossary	21
1.3 Application examples	5	8.1 Axial movement	21
1.3.1 Gas and air supply to a drying kiln	5	8.2 Angular movement	21
1.3.2 Exhaust gas system on a compressor	6	8.3 Lateral movement	21
1.3.3 Fuel pipes on a gas engine	6	8.4 Relative movement	21
1.3.4 Gas pressure control, measuring and safety train	6	8.5 Vibration amplitude	21
1.3.5 Gas and air supply to an aluminium smelting furnace	6	Fore more information	22
1.3.6 Pipes on a heating and solar system	7		
2 Certification	8		
3 Selection	9		
3.1 ProFi	9		
3.2 Stainless steel bellows units EKO	9		
3.2.1 Selection table	9		
3.2.2 Type code	9		
3.3 Stainless steel flexible tubes ES	9		
3.3.1 Selection table	9		
3.3.2 Type code	9		
4 Project planning information	10		
4.1 Installation	10		
4.1.1 EKO	10		
4.1.2 ES	11		
4.2 Flow velocities	12		
5 Accessories	13		
5.1 Flange seal WL-HT	13		
5.2 Restricting orifice	13		
6 Technical data	14		
6.1 EKO	14		
6.2 ES	14		
6.3 EKO..R dimensions	16		
6.4 EKO..F dimensions	17		

1 Application

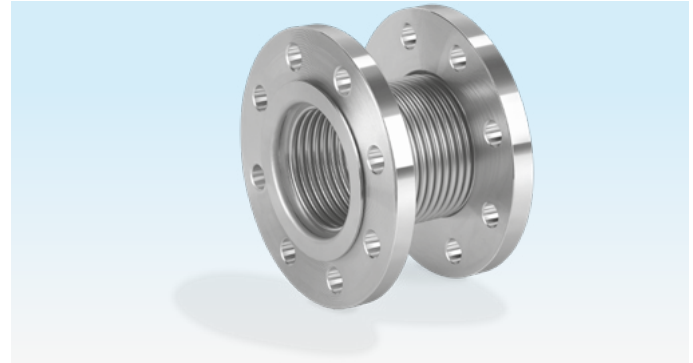
1.1 EKO



EKO..R-I with internal threads



EKO..R-A with external threads



EKO..F with flanged connection

The stainless steel bellows unit EKO is designed for stress-free and safe pipe installation and to prevent transmission of vibration in gas, air and water installations.

The stainless steel bellows unit EKO can compensate for thermal and pressure expansions in pipelines, disengage elastically-mounted units from the systems to which they are connected and compensate elastically for relative movements between system parts, see page 21 (Relative movement). This results in reduced forces and moments at the connections.

The stainless steel bellows unit with hot-galvanized flange permits the use of landfill gas.

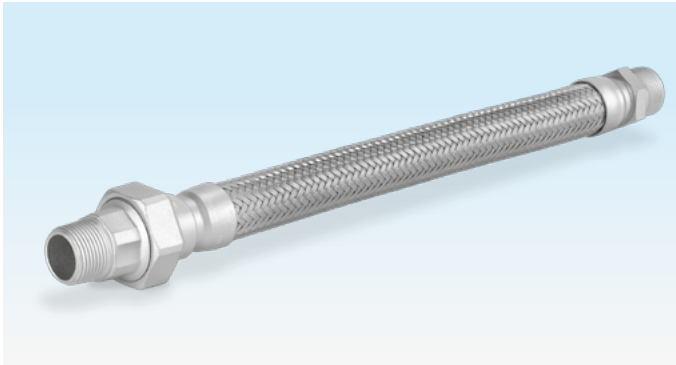
Stainless steel bellows units EKO can optionally be supplied with an integrated restricting orifice for adjusting the gas and air flow rate for gas burners.

The stainless steel bellows unit EKO..R can be used in operating temperatures of up to 250°C. EKO..F and EKO..FZ can withstand high temperatures (HTR) in conjunction with WL-HT flange seals, see page 13 (Flange seal WL-HT).

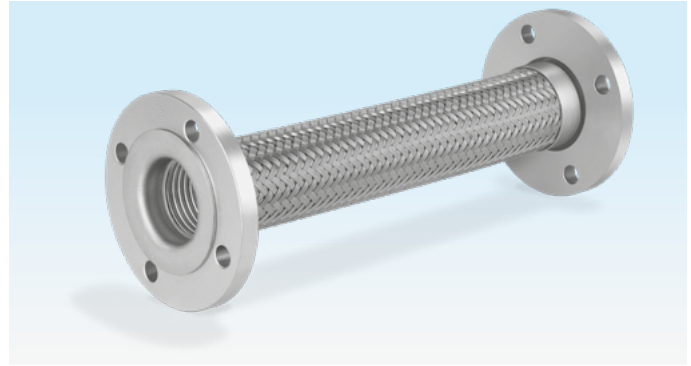


Stainless steel bellows units at the kiln in a brickworks

1.2 ES



ES..RA with external thread

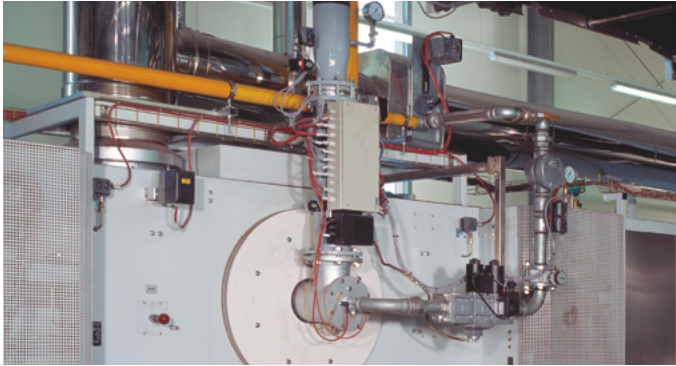


ES..F with flanged connection

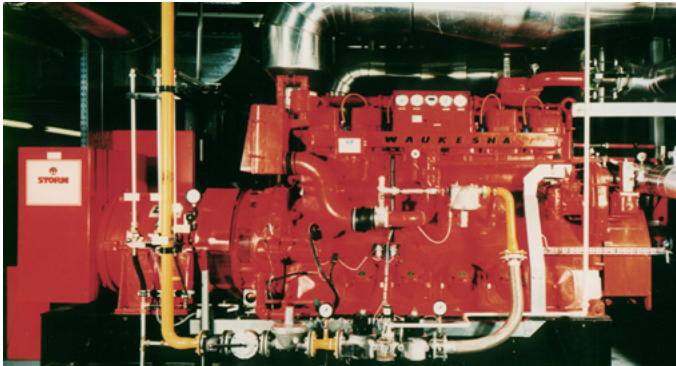
The stainless steel flexible tube ES is used for stress-free, flexible connection of devices and pipes and to prevent transmission of vibration in gas, air and water installations.

The stainless steel flexible tube ES can absorb vibrations with a high frequency and low amplitude, e.g. in fuel pipes, reduce structure-borne noise in pipelines for example, compensate for inaccuracies in installation between units and serve as a flexible pipe element on presses for example. It can be fitted in places where no fixed points can be located.

The stainless steel flexible tube ES is optionally available in any length.



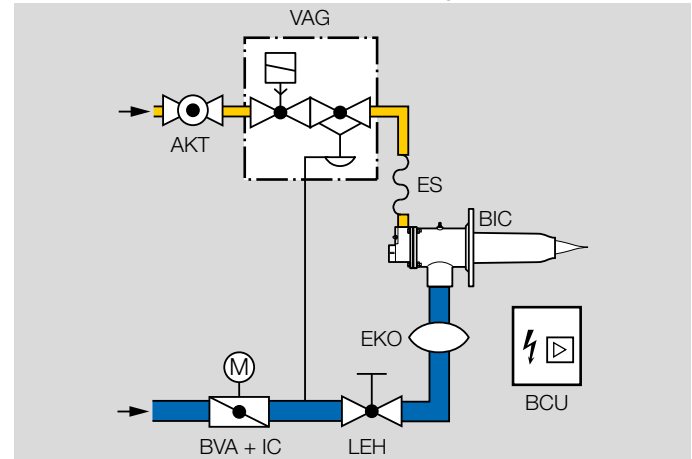
Stainless steel flexible tubes in the supply lines of buildings



Stainless steel flexible tubes on gas engine supply lines

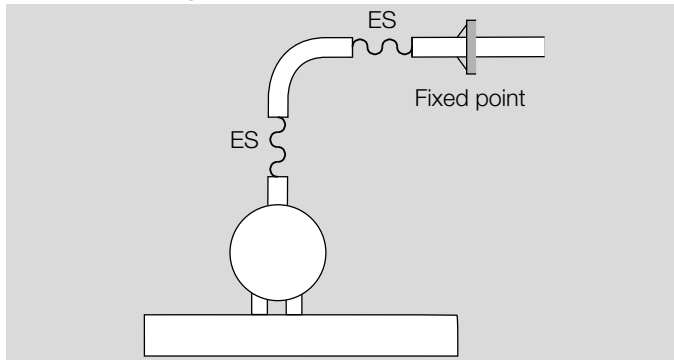
1.3 Application examples

1.3.1 Gas and air supply to a drying kiln



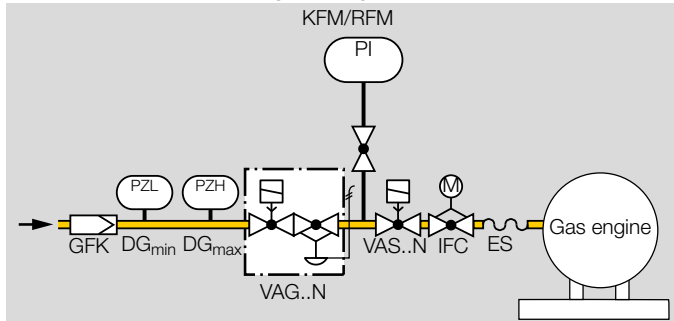
Pressure and temperature factors from the burner influence the gas and air supply. The stainless steel flexible tube and bellows unit compensate for the pressure and thermal expansion in the pipelines. They ensure that the process runs without any problem.

1.3.2 Exhaust gas system on a compressor



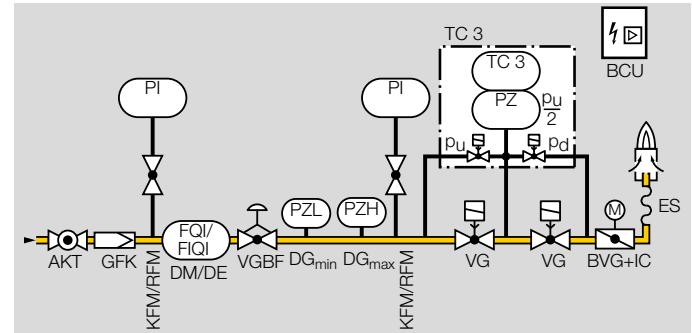
Two stainless steel flexible tubes mounted at right angles in the exhaust gas pipe reduce vibrations on all sides which the unit causes on the connected pipe.

1.3.3 Fuel pipes on a gas engine



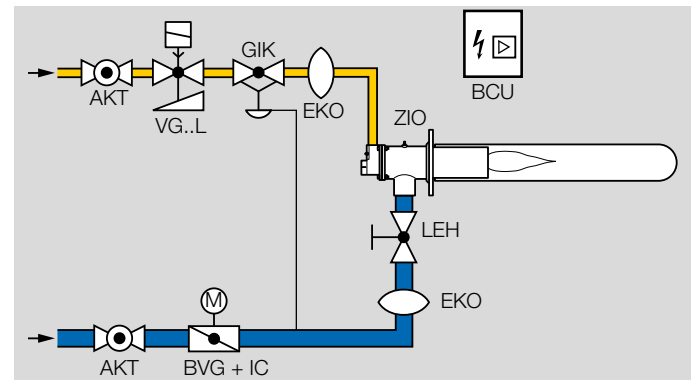
When a gas engine is connected to the fuel pipes, installation tolerances can occur at the connection points. The simple way to compensate for these is with stainless steel flexible tubes.

1.3.4 Gas pressure control, measuring and safety train



The stainless steel flexible tube offers an effective and cost-efficient solution for protecting gas lines, on thermal flue air purification systems for instance, against thermal expansion. It reduces the structure-borne noise in the pipeline.

1.3.5 Gas and air supply to an aluminium smelting furnace

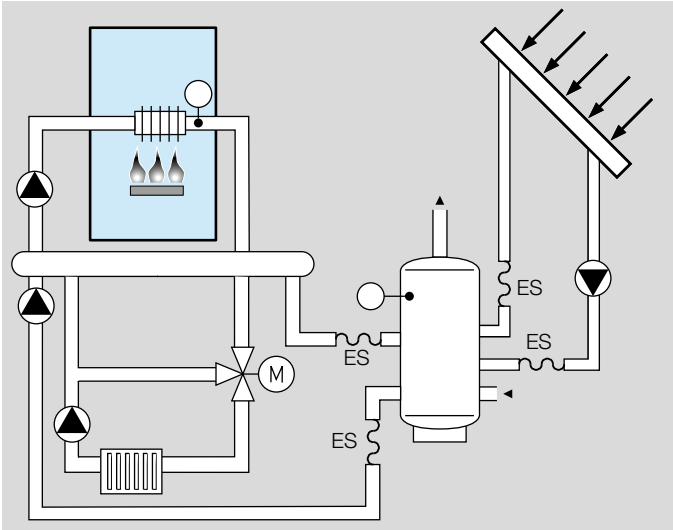


Pressure and temperature factors influence the gas and air supply. The stainless steel bellows units compensate for the

Application

pressure and thermal expansion in the pipelines. Stainless steel bellows units EKO..10P are specially designed to suit the Kromschröder ZIO burner for a high burner capacity at low operating pressure.

1.3.6 Pipes on a heating and solar system



The pipes between the collector, boiler and storage tank are adapted to the building architecture. Stainless steel flexible tubes are used to compensate favourably for inaccuracies in installation.

2 Certification

Certificates for EKO – see www.docuthek.com

Certificates for ES – see www.docuthek.com

EU certified



- DIN-DVGW tested and registered.

Type	DVGW test mark	Basis for testing
EKO..RI, EKO..RA	NG-4504AS3148	DIN 30681
EKO..F100P, EKO..F-Z	NG-4504AR3924	DIN 30681
ES	NG-4601AR0759	DIN 3384

- For all gases to DVGW Code of Practice G 260, air and water.

Eurasian Customs Union



The products EKO, ES meet the technical specifications of the Eurasian Customs Union.

3 Selection

3.1 ProFi

A web app selecting the correct product is available at www.adlatus.org.

3.2 Stainless steel bellows units EKO

3.2.1 Selection table

Option	EKO 15-20	EKO 25-50	EKO 65-150	EKO 200	EKO 250-350
DN	15, 20	25, 32, 40, 50	65, 80, 100, 125, 150	200	250, 350
Pipe connection	RI, RA	RI, RA, F	F	F, F100P	F10P
Hot-galvanized ¹⁾	-	-Z	-Z	-Z	-

¹⁾ Only available for EKO..F

Order example

EKO 25RA

3.2.2 Type code

EKO	Stainless steel bellows unit
15-200	Nominal size
RI	R _p internal thread
RA	R external thread
F	Flange with bore holes to PN 10, p _U max. 10 bar
F10P	Flange with bore holes to PN 16, p _U max. 1 bar
F100P	Flange with bore holes to PN 16, p _U max. 10 bar
-Z	Hot-galvanized

3.3 Stainless steel flexible tubes ES

3.3.1 Selection table

Option	ES 8-50	EKO 65-100
DN	8, 10, 16, 20, 25, 32, 40, 50	65, 80, 100
Pipe connection	RA	F
Length ¹⁾	500, 800, 1000	500, 800, 1000

¹⁾ Other lengths on request

Order example

ES 25RA800

3.3.2 Type code

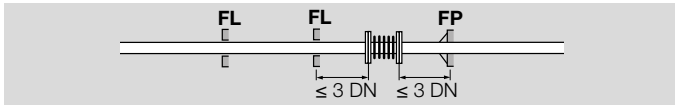
ES	Stainless steel flexible tube
8-100	Nominal size
RA	R external thread
F	Flange to EN 1092-1
500-1000	Length [mm]

4 Project planning information

4.1 Installation

If the stainless steel bellows unit EKO or the stainless steel flexible tube ES are used with external aggressive media acting on them, we recommend using additional protection, e.g. a heat shrink tube.

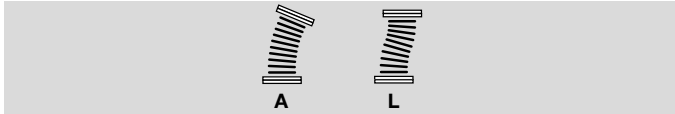
4.1.1 EKO



Only install one bellows unit between two fixed points or guide bearings.

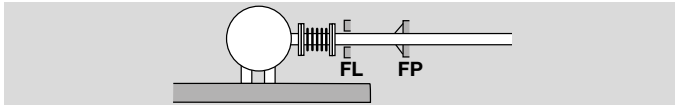
Distance between the bellows unit and fixed point **FP** or guide bearing **FL** $\leq 3 \text{ DN}$.

Provide fixed points at the ends of pipe sections, which can absorb the axial compression force, the adjustment force of the bellows unit and the friction force of the guide bearings.

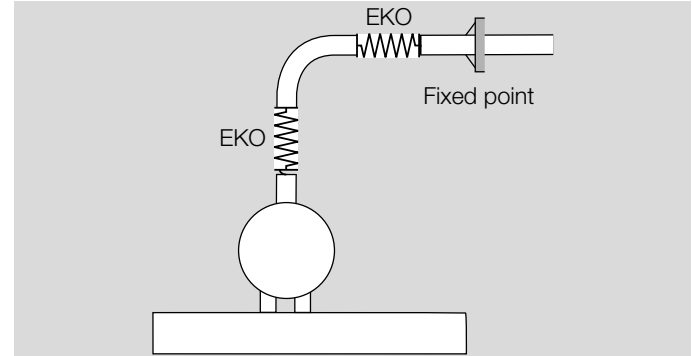


Dynamic stress:

A = page 21 (Angular movement), **L** = page 21 (Lateral movement), see Movement absorption, page 16 (EKO..R dimensions) or page 16 (EKO..R dimensions).



Vibration absorption: install the bellows unit as close to the vibrating unit as possible to avoid additional movements. Attach the pipeline immediately downstream of the bellows unit, independent of the vibrating unit, using a guide bearing **FL** or a fixed point **FP**.



If there are vibrations in all directions, install a second bellows unit at right angle to the first one.

Ensure a sufficiently good stand for the vibrating unit in order to absorb the axial compression force.

The maximum vibration amplitude (page 21 (Vibration amplitude)) may amount to ≤ 5 to 10% of the movement absorption. Movement absorption, see page 16 (EKO..R dimensions) or page 16 (EKO..R dimensions).

Determine the initial stress for the expansion or compression to be expected:

$$V = D \times \left(0.5 - \frac{t_E - t_{\min}}{t_{\max} - t_{\min}} \right)$$

V = Initial stress [mm]

D = Expansion of pipeline [mm]

t_E = Installation temperature [°C]

Project planning information

t_{\min} = Min. operating temperature [°C]

t_{\max} = Max. operating temperature [°C]

Positive initial stress = expand bellows unit,

negative initial stress = compress bellows unit.

Define the installation space on the basis of the overall length of the bellows unit:

$$L_E = B_L \pm V$$

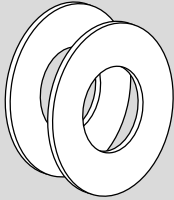
L_E = Installation space

B_L = Overall length

V = Initial stress

If a restricting orifice is used, the overall length is increased by 3 mm, see page 13 (Restricting orifice).

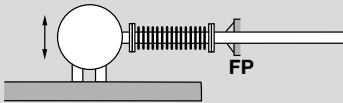
EKO..F



High temperature resistant in conjunction with WL-HT flange seal only, see page 13 (Flange seal WL-HT).

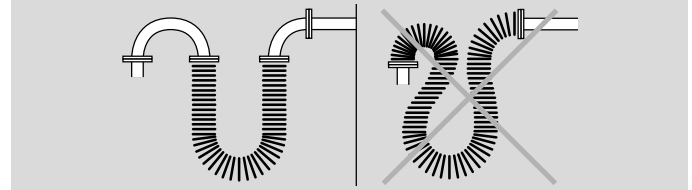
4.1.2 ES

Avoid torsion load on the stainless steel flexible tube.

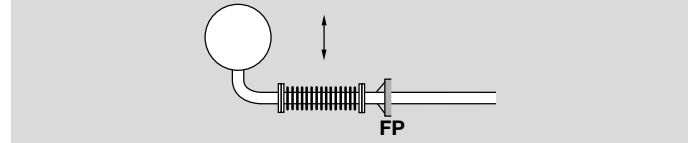


For expansion and vibration absorption, attach the pipeline directly downstream of the stainless steel flexible tube using a fixed point **FP**.

Note the minimum bending radius for one-off or frequent movement, see page 18 (ES dimensions).

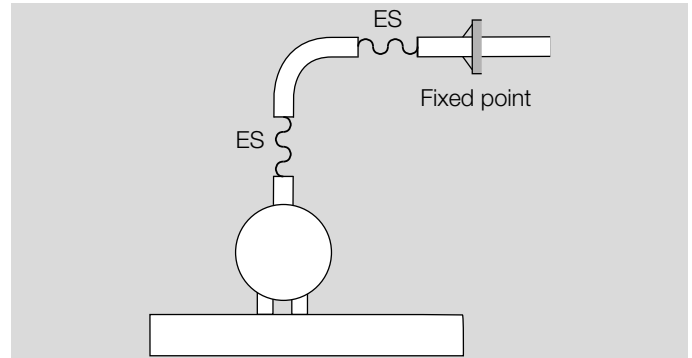


Impermissible bending immediately downstream of the connection element can be avoided by using rigid pipe bends.



Always install the stainless steel flexible tube at right angles to the direction of movement.

Note distance to the wall or floor.



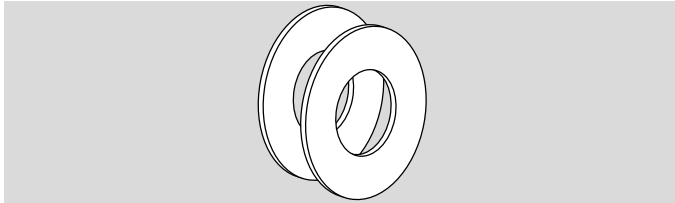
If there are vibrations in all directions, install a second stainless steel flexible tube at right angle to the first one.

4.2 Flow velocities

It is recommended that flow velocities of 6 m/s (1180 ft/min) are not exceeded in order to avoid flowing or whistling noises.

5 Accessories

5.1 Flange seal WL-HT



EKO..F and EKO..FZ can only withstand high temperatures (HTR) in conjunction with WL-HT flange seal for the inlet and outlet flange.

Flange seal	Order No.
WL-HT DN 25	03352221
WL-HT DN 32	03352222
WL-HT DN 40	03352223
WL-HT DN 50	03352224
WL-HT DN 65	03352225
WL-HT DN 80	03352226
WL-HT DN 100	03352227
WL-HT DN 125	03352228
WL-HT DN 150	03352229
WL-HT DN 200	03352220

5.2 Restricting orifice

Restricting orifices made of V2A steel can be supplied for stainless steel bellows units EKO if required. Please ask us for a quotation.

6 Technical data

6.1 EKO

Media: all gases to DVGW Code of Practice G 260, air and water or gases to DVGW Code of Practice G 262.

The pressure loss at the EKO is approximately twice as high as that of a smooth pipe of the same length.

Stainless steel bellows 1.4571.

EKO..R

Clamping rings made of stainless steel 1.4301, fittings made of galvanized malleable cast iron, REINZ-AFM 34 seal according to DIN 3535-6, flat-sealing, resistant to high temperatures (HTR).

Operating temperature:

air: -20 to +250°C,
gas: -20 to +250°C,
water: 0 to +100°C.

Short-term temperature peaks of up to 300°C are admissible.

Max. inlet pressure MOP:

air and water: 10 bar,
gas: 5 bar.

Observe the maximum allowable inlet pressure for dynamic stress and increased temperature, see page 19 (EKO, ES reduction factors).

EKO..F

Bellows and flange made of stainless steel:
1.4571 up to DN 100, 1.4541 > DN 100.

Operating temperature:

air: -20 to +500°C,

gas: -20 to +150°C,
water: 0 to +100°C.

Max. inlet pressure MOP: 10 bar,
EKO 250F10P, EKO 350F10P: 1 bar.

Observe the maximum allowable inlet pressure for dynamic stress and increased temperature, see page 19 (EKO, ES reduction factors).

EKO..F: galvanized flange, EKO..FZ: hot-galvanized flange.
High temperature resistant in conjunction with WL-HT flange seal only, see page 13 (Flange seal WL-HT).

6.2 ES

Media: all gases to DVGW Code of Practice G 260, air and water or gases to DVGW Code of Practice G 262.

The pressure loss is approx. twice to three times as high as that of a smooth pipe of the same length. When installed in a 90° bend, it increases at maximum by a factor of 2.

Material: 1.4541 stainless steel corrugated tube, 1.4301 stainless steel sheathing.

ES..RA

DN 8 to DN 25 connecting threads on both sides, made of machining steel 1.0718, from DN 32 made of steel 1.0037.

Connection:

1 x external thread, conically sealing union,
1 x hexagon nipple and external thread to
EN 10226-1.

Welded stainless steel fittings.

Loose screw attachment parts made of galvanized malleable cast iron or cast steel.

Technical data

Operating temperature:

air, gas, water: -10 to +300°C;

the maximum allowable operating temperature may be reduced depending on the sealant selected.

Max. inlet pressure p_U :

air and water: 16 bar,

gas: 4 bar.

Observe the maximum allowable inlet pressure for dynamic stress and increased temperature, see page 19 (EKO, ES reduction factors).

ES..F

Welding flange made of stainless steel 1.4541,
(loose flange made of galvanized steel, PN 16 to
DIN EN 1092-1).

Operating temperature:

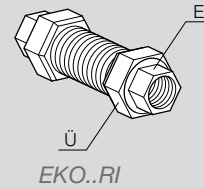
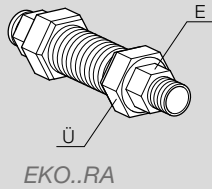
air, gas, water: -10 to +300°C.

Max. inlet pressure p_U :

air, gas and water: 16 bar.

Observe the maximum allowable inlet pressure for dynamic stress and increased temperature, see page 19 (EKO, ES reduction factors).

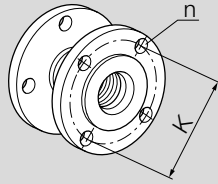
6.3 EKO..R dimensions



Type	Connection		Connector A/F		Movement absorption			Overall length (± 2 mm) [mm]	Weight [kg]
			[mm]		± [mm]				
	DN		U*	I*	Axial Δ	Angular Δ	Lateral Δ		
EKO 15RA	15	R ½	41	26	12	50	8	157	0.41
EKO 20RA	20	R ¾	50	32	14	45	7	173	0.68
EKO 25RA	25	R 1	55	38	15	40	8	194	0.91
EKO 32RA	32	R 1¼	67	48	15	35	8	215	1.27
EKO 40RA	40	R 1½	75	54	17	35	9	240	1.71
EKO 50RA	50	R 2	90	66	21	30	10	270	2.46
EKO 15RI	15	Rp ½	41	26	12	50	8	125	0.39
EKO 20RI	20	Rp ¾	50	32	14	45	7	135	0.66
EKO 25RI	25	Rp 1	55	38	15	40	8	150	0.72
EKO 32RI	32	Rp 1¼	67	48	15	35	8	165	1.00
EKO 40RI	40	Rp 1½	75	54	17	35	9	190	1.40
EKO 50RI	50	Rp 2	90	66	21	30	10	210	2.05

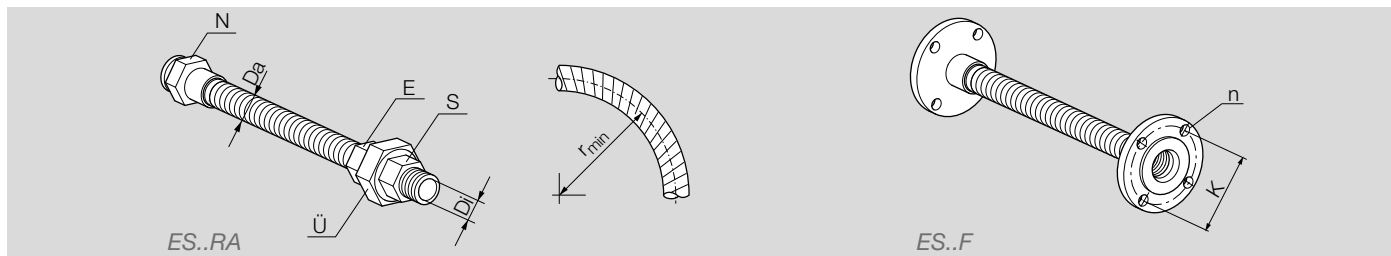
U* = union nut, I* = insert.

6.4 EKO..F dimensions



Type	Connection		Hole circle [mm]	No. of screws n	Movement absorption ± [mm]			Overall length (± 2 mm) [mm]	Weight [kg]
					Axial Δ	Angular Δ	Lateral Δ		
	DN	Hole pattern	K						
EKO 25F	25	PN 10/16	85	4	7	18	1.5	60	2.30
EKO 32F	32	PN 10/16	100	4	8	17	2	65	3.42
EKO 40F (Z)	40	PN 10/16	110	4	12	18	2	75	3.95
EKO 50F (Z)	50	PN 10/16	125	4	12	18	2.5	95	4.80
EKO 65F (Z)	65	PN 10/16	145	4	17	18	3.5	110	5.90
EKO 80F (Z)	80	PN 10/16	160	8	20	18	3.5	125	7.20
EKO 100F (Z)	100	PN 10/16	180	8	20	16	4.5	150	7.82
EKO 125F (Z)	125	PN 10/16	210	8	22.5	14	4.1	175	11.30
EKO 150F (Z)	150	PN 10/16	240	8	28	16.5	7	200	13.00
EKO 200F (Z)	200	PN 10	295	8	40	16	7.5	240	17.30
EKO 200F100P	200	PN 16	295	12	40	16	7.5	240	16.70
EKO 250F10P	250	PN 16	355	12	36	13	4.2	190	17.7
EKO 350F10P	350	PN 16	470	16	30	9	2	168	28.7

6.5 ES dimensions



Type	Connection		Connector A/F [mm]				Hole circle	No. of screws	Tube diameter		Minimum bending radius r [mm]	Nominal bending radius r [mm]	Weight [kg]
	DN [mm]		N*	I*	U*	A*	K [mm]	n	Di [mm]	Da [mm]	One-off bending	Frequent bending	
ES 8RA	8	R ¼	14	13	28	19	–	–	8.3	13.7	32	120	0.32
ES 10RA	10	R 3/8	19	16	32	22	–	–	10.2	15.7	38	130	0.40
ES 16RA	16	R ½	22	19	41	26	–	–	16.2	23.3	58	160	0.63
ES 20RA	20	R ¾	27	26	50	32	–	–	20.2	28.3	70	170	0.92
ES 25RA	25	R 1	36	32	55	38	–	–	25.5	34.2	85	190	1.34
ES 32RA	32	R 1¼	46	46	67	48	–	–	34.2	43.0	105	260	1.87
ES 40RA	40	R 1½	50	55	75	54	–	–	40.1	52.0	130	300	2.37
ES 50RA	50	R 2	60	65	90	66	–	–	50.4	62.6	160	320	3.41
ES 65F	65	DN 65	–	–	–	–	145	4	65.3	81.2	200	460	8.24
ES 80F	80	DN 80	–	–	–	–	160	8	80.2	98.0	240	660	10.51
ES 100F	100	DN 100	–	–	–	–	180	8	100.0	119.4	290	750	11.73

N* = threaded nipple, I* = insert, U* = union nut, A* = male adapter

6.6 EKO, ES reduction factors

Pressure pulsation, pressure surges, pressure fluctuations, frequent movements, vibrations and high temperatures will reduce the max. allowable inlet pressure.

Calculating the maximum allowable inlet pressure:

$$p_{\max.} = \text{MOP} \times k_d \times k_t$$

$p_{\max.}$ = Permitted operating pressure [bar]

MOP = Maximum allowable operating pressure [bar]

k_d = Dynamic reduction factor

k_t = Temperature reduction factor

Dynamic reduction factor k_d

	Slight, slow movement; no vibration	Frequent, uniform movement; vibrations	Rhythmic, surge-type movement; strong vibrations
Stationary or slow and uniform flow	1	0.80	0.40
Pulsating and non-uniform flow	0.80	0.63	0.32
Rhythmic and surge-type flow	0.32	0.20	on request

Temperature reduction factor k_t

Temperature [°C]	EKO/ES from DN 125 material 1.4541	EKO up to DN 100 material 1.4571
20	1.00	1.00
50	0.93	0.92
100	0.83	0.80
150	0.78	0.76
200	0.74	0.72
250	0.70	0.68
300	0.66	0.64
350	0.64	0.62
400	0.62	0.60
450	0.60	0.59
500	0.59	0.58
550	0.58	0.58

7 Maintenance cycles

The products EKO, ES require little servicing.

8 Glossary

8.1 Axial movement



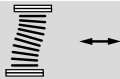
The movement of the stainless steel bellows unit or stainless steel flexible tube is absorbed in the axial direction.

8.2 Angular movement



The movement absorption of the stainless steel bellows unit or stainless steel flexible tube takes place at a certain angle.

8.3 Lateral movement



The movement of the stainless steel bellows unit or stainless steel flexible tube is absorbed laterally.

8.4 Relative movement

The relative movement is the movement of one body in relation to another.

8.5 Vibration amplitude

The vibration amplitude is the largest excursion of a vibration from the compressed to the extended bellows unit.

Fore more information

The Honeywell Thermal Solutions family of products includes Honeywell Combustion Safety, Eclipse, Exothermics, Hauck, Kromschroder and Maxon. To learn more about our products, visit ThermalSolutions.honeywell.com or contact your Honeywell Sales Engineer.

Elster GmbH
Strotheweg 1, D-49504 Lotte
T +49 541 1214-0
hts.lotte@honeywell.com
www.kromschroeder.com

© 2019 Elster GmbH

We reserve the right to make technical modifications in the interests of progress.

