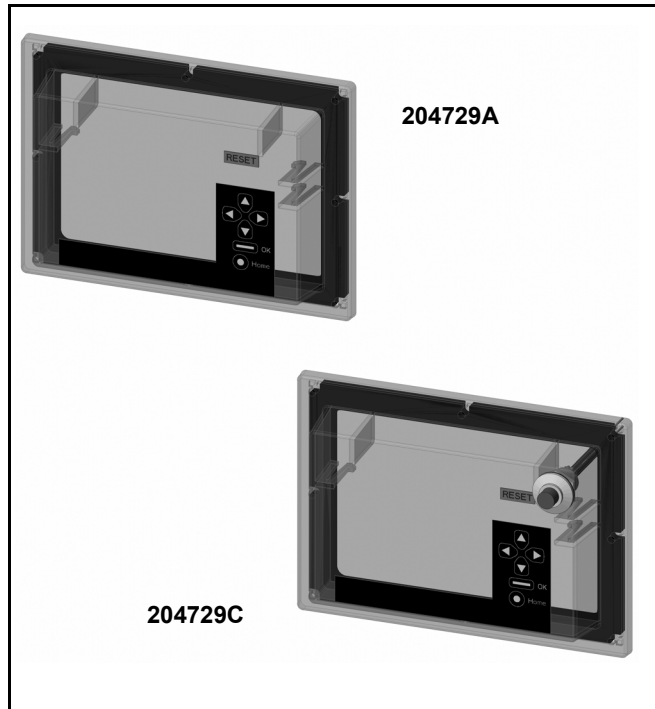


Cover Assembly for S7800 4-Line LCD Keyboard Display Module

PRODUCT DATA



APPLICATION

The 204729 A/C NEMA4 covers are designed to work with the 4-Line LCD Keyboard Display Module model no. S7800A2142 (literature no 32-00110).

The 204729A NEMA 4 Cover Assembly provides NEMA 4 protection for the S7800 Keyboard Display Module when the S7800 is mounted on a suitable panel.

The 204729C NEMA 4 Cover Assembly provides NEMA 4 protection for the S7800 Keyboard Display Module when the S7800 is mounted on a suitable panel and also provides reset of the 7800 Series device.

INSTALLATION

When Installing This Product...

1. Read these instructions carefully. Failure to follow them could damage the control or cause a hazardous condition.
2. Check the ratings in the instructions and on the control to make sure the control is suitable for your application.
3. Installer must be a trained, experienced Flame Safeguard service technician.
4. After installation is complete, check out control operation as provided in these instructions.

WARNING

Electrical Shock Hazard.

Can cause severe injury, death or property damage.

Disconnect power supply before beginning installation to prevent electrical shock and equipment damage. More than one disconnect may be involved.

When the S7800 Keyboard Display Module is already mounted on a panel, place the 204729A,C Cover Assembly over it and mark or drill starter holes for No. 6 by 1/2 in. sheet metal screws or use full-sized template as shown in Fig. 2.

When the S7800 Keyboard Display Module is to be mounted on a panel, position the S7800 in the desired location and mark and cut an opening for the S7800 connector cable. Then place the 204729 Cover Assembly over it and mark or drill starter holes for No. 6 by 1/2 in. sheet metal screws or use a full-sized template as shown in Fig. 2.

To install the S7800 in the 204729A,C NEMA 4 Cover Assembly, proceed as follows:

1. Disconnect power supply to prevent electrical shock and/or equipment damage.
2. Place the tabs on the bottom of the S7800 Keyboard Display Module into the slots below the scroll panel on the cover. See Fig. 1.
3. Push the S7800 down into the slots while moving the top of the S7800 forward. The S7800 will snap into place at the top of the cover.



COVER ASSEMBLY FOR S7800 4-LINE LCD KEYBOARD DISPLAY MODULE

4. Connect the S7800 Keyboard Display Module to the system using the 203541 5-Wire Connector provided, following the installation procedure of the S7800 Keyboard Display Module
5. Position the cover over the panel and secure with eight No. 6 x 1/2 in. sheet metal screws (obtained locally). For the 204729A,C NEMA 4 Cover Assembly,

tighten the screws so that the cover assembly is flush with the panel. This compresses the gasket and forms a NEMA 4 seal.

6. Restore power and perform checkout of the S7800 Keyboard Display Module as described in the applicable specification(s).

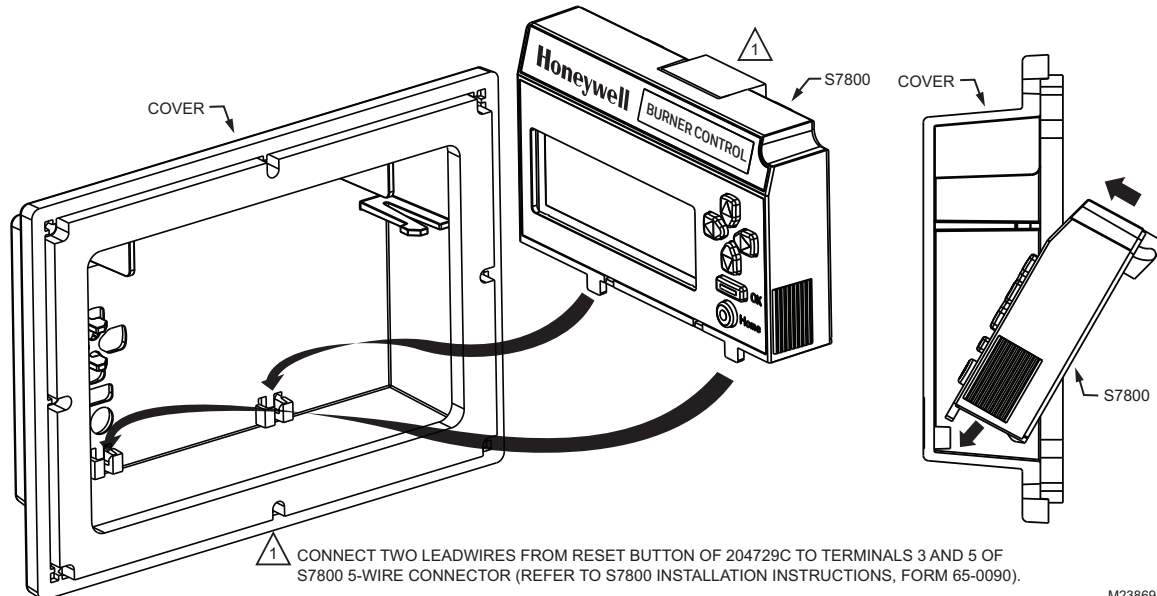


Fig. 1. Installing S7800 Keyboard Display Module in 204729 Cover Assembly.

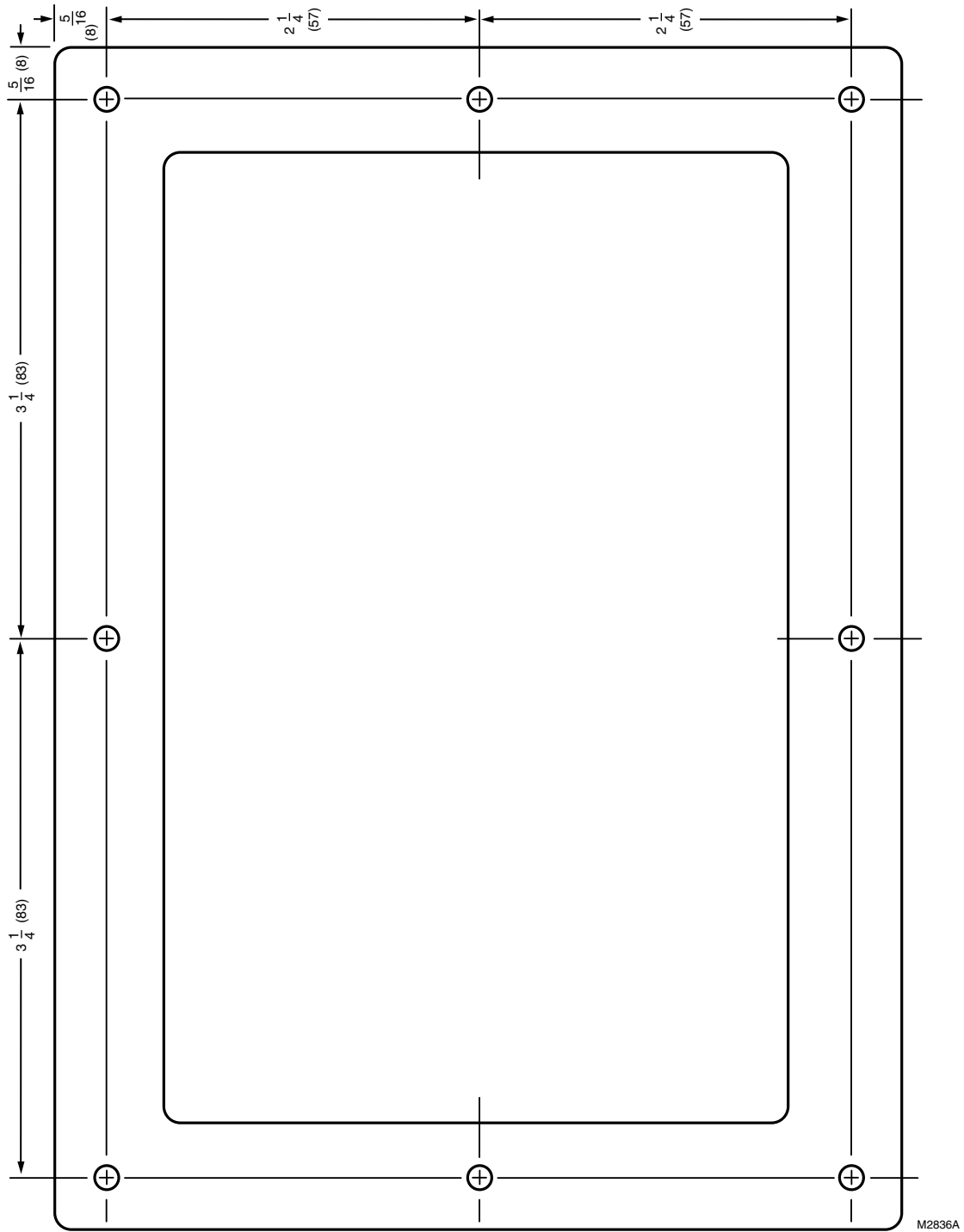


Fig. 2. Full-sized mounting template for 204729 Cover Assembly in in. (mm).

For More Information

The Honeywell Thermal Solutions family of products includes Honeywell Combustion Safety, Eclipse, Exothermics, Hauck, Kromschröder and Maxon. To learn more about our products, visit ThermalSolutions.honeywell.com or contact your Honeywell Sales Engineer.

Honeywell Process Solutions

Honeywell Thermal Solutions (HTS)
1250 West Sam Houston Parkway
South Houston, TX 77042
ThermalSolutions.honeywell

® U.S. Registered Trademark
© 2018 Honeywell International Inc.
32-00166-01 M.S. 04-18
Printed in United States

Honeywell