

## Peepsight

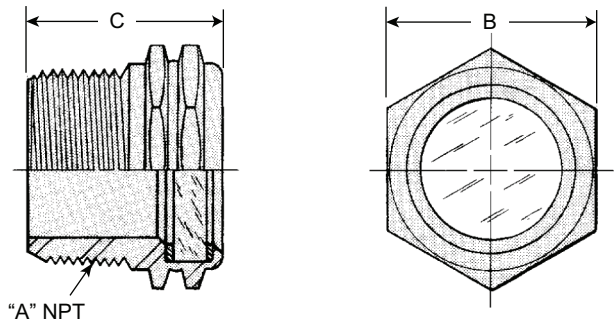
### PRODUCT DATA

Edition 09.19



Eclipse peepsight assemblies can be used for various combustion needs. The single piece units are designed for installation on the burner. The 2/3 union assemblies may be installed on or adjacent to the burner or the wall of the application itself. The rectangular peepsight assemblies, are designed for mounting in a duct or for use as a furnace viewing port.

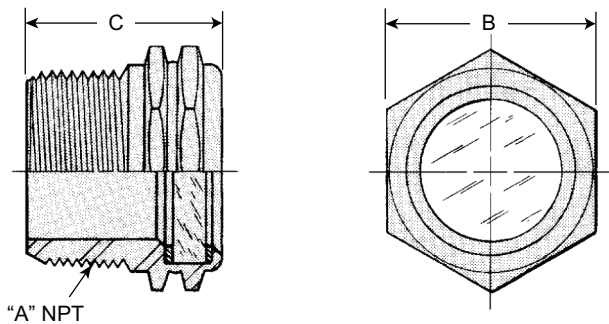
### Single Piece Peepsight (Steel, Electroless Nickel Plated)



Assembly No.	Dimensions in inches (mm)		
	A	B	C
10034566	3/8 - 18	0.75 (19.05)	0.72 (18.29)
10034234	1/2 - 14	0.94 (23.88)	0.78 (19.81)
10034565	3/4 - 14	1.06 (26.92)	0.94 (23.88)
10034564	1 - 11-1/2	1.38 (35.05)	1.06 (26.88)

Maximum Temperature: 500°F (260°C)  
Maximum Operating Pressure: 100 psi (6.9 bar)

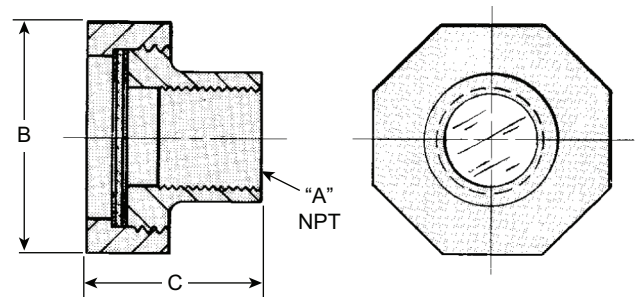
### Single Piece Peepsights (Brass Alloy H59)



Assembly No.	Dimensions in inches (mm)		
	A	B	C
17003	3/8	0.75 (19)	0.72 (18.26)
11737	1/2	0.94 (24)	0.78 (19.84)
10509	3/4	1.06 (27)	0.94 (23.81)
13225	1	1.42 (36)	1.25 (31.75)

Maximum Temperature: 350°F (180°C)  
Maximum Operating Pressure: 25 psi (1.7 bar)

### 2/3 Union Peepsights



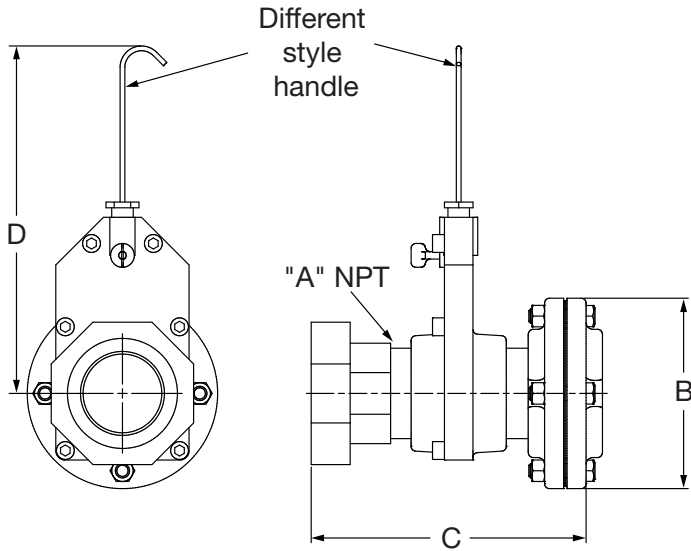
Assembly No.	Dimensions in inches			Max. Operating Press. @ 100°F
	A	B	C	
120051	1-1/4	2-3/4	1-7/8	60 psi
120053	1-1/2	3	2-1/8	45 psi
120054	2	3-5/8	2-3/8	30 psi
120060	3	5-3/4	2-1/2	15 psi

\* For maximum pressures at other temperatures, see the multiplier table.

### Multiplier Table

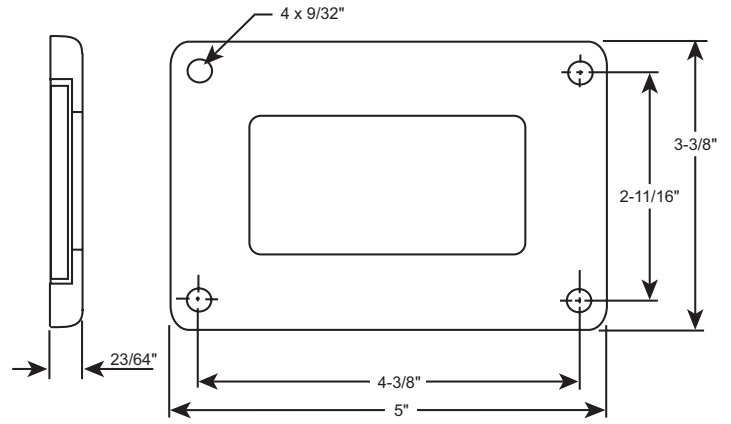
Ambient Temperature	400°F	500°F	600°F	700°F
Multiplier	0.6	0.3	0.1	0

### Blast Gate Peepsights



Assembly No.	Dimensions in inches				Max. Operating Press. @ 100°F
	A	B	C	D	
120061	1-1/2	4-1/4	7-1/8	5-7/8 Closed 7-5/8 Open	45 psi
120058	2	5	7-1/2	7 Closed 9-1/8 Open	30 psi
120059	3	6-1/8	10-1/8	8-9/16 Closed 12-1/16 Open	15 psi

### Rectangular Peepsight Assembly (120072)



Maximum temperature rating is 450°F. Use with ambient pressure only.

#### For More Information

The Honeywell Thermal Solutions family of products includes Honeywell Combustion Safety, Eclipse, Exothermics, Hauck, Kromschröder and Maxon. To learn more about our products, visit [ThermalSolutions.honeywell.com](http://ThermalSolutions.honeywell.com) or contact your Honeywell Sales Engineer.

#### Honeywell Process Solutions

Honeywell Thermal Solutions (HTS)  
Eclipse Inc.  
1665 Elmwood Rd.  
Rockford, IL 61103  
United States  
T +1 815 877 3031  
[www.ThermalSolutions.honeywell.com](http://www.ThermalSolutions.honeywell.com)

® U.S. Registered Trademark  
© 2019 Honeywell International Inc.  
32-00190-02 Edition 09.19  
Printed in United States

