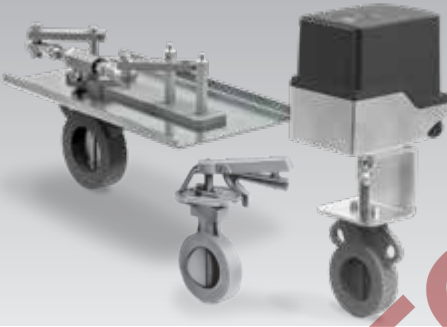


Operating instructions
Butterfly valve DKR
Butterfly valve with attachment set
and actuator IDR



Contents

Butterfly valve DKR 1
Butterfly valve with attachment set and actuator IDR 1
Contents 1
Safety..... 1
Checking the usage..... 2
 Intended use 2
 Type code 2
 Part designations 2
Installing the butterfly valve in the pipe..... 3
 Butterfly valve with manual adjustment DKR..H . 4
 Butterfly valve with free shaft end DKR..F. 4
Installing attachment sets for DKR..F 4
 Axial mounting 4
 Attachment with linkage 5
 Mounting the butterfly valve 6
 Mounting the actuator 6
Commissioning..... 7
Pressure test 7
Maintenance 7
Accessories 7
 Heat deflector 7
Technical data 7
Logistics 8
Certification 8
 Eurasian Customs Union 8
Contact 8

Safety

Please read and keep in a safe place



Please read through these instructions carefully before installing or operating. Following the installation, pass the instructions on to the operator. This unit must be installed and commissioned in accordance with the regulations and standards in force. These instructions can also be found at www.docuthek.com.

Explanation of symbols

■, **1**, **2**, **3**... = Action
 ▷ = Instruction

Liability

We will not be held liable for damage resulting from non-observance of the instructions and non-compliant use.

Safety instructions

Information that is relevant for safety is indicated in the instructions as follows:

⚠ DANGER

Indicates potentially fatal situations.

⚠ WARNING

Indicates possible danger to life and limb.

! CAUTION

Indicates possible material damage.

All interventions may only be carried out by qualified gas technicians. Electrical interventions may only be carried out by qualified electricians.

Conversion, spare parts

All technical changes are prohibited. Only use OEM spare parts..

Changes to edition 08.17

The following chapters have been changed:

- Installing the butterfly valve in the pipe
- Installing attachment sets for DKR..F
- Technical data
- Logistics

Checking the usage

Intended use

Butterfly valve DKR

Butterfly valve DKR is designed to adjust volumes of hot air and flue gas on various appliances and flue gas lines. It is designed for control ratios up to 1:10, and with the mounted actuator IC 50 it is suitable for regulating flow rates for modulating-controlled or stage-controlled combustion processes.

This function is only guaranteed when used within the specified limits – see page 7 (Technical data). Any other use is considered as non-compliant.

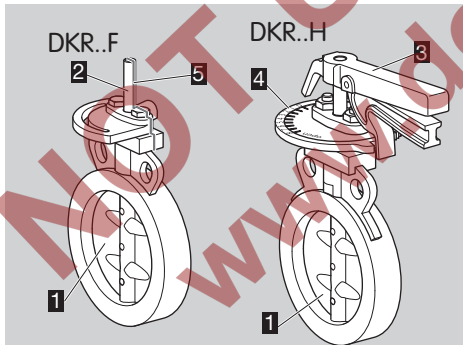
For information on actuator IC 50, see www.docuthek.com.

Type code

DKR

Code	Description
DKR	Butterfly valve for air and flue gas
15–500	Nominal size
Z	For fitting between two DIN flanges
03	p_u max. 300 mbar
F	With free shaft end
H	With manual adjustment
D	With disc clearance
A	With stop bar
	Temperature range:
100	100°C
350	350°C
450	450°C
650	650°C

Part designations



- 1** Valve disc
- 2** Free shaft end
- 3** Locking lever for blocking the setting
- 4** Opening angle scale
- 5** Marking for valve disc position

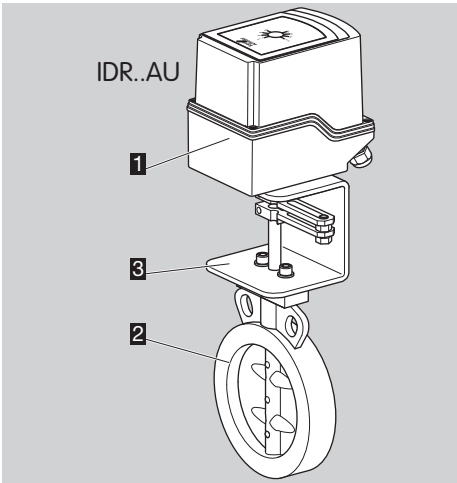
Pre-assembled combinations of actuators and butterfly valves are available as models IDR up to nominal size DN 300.

Type code

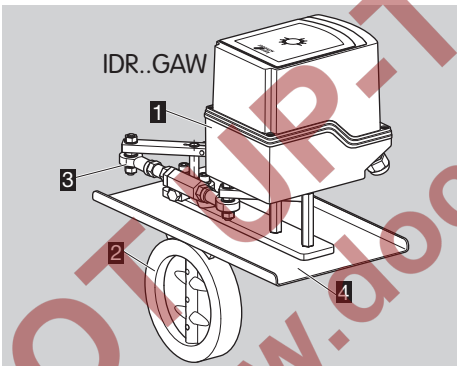
IDR

Code	Description
IDR	Butterfly valve for hot air and flue gas with actuator
15–300	Nominal size
Z	For fitting between two DIN flanges
03	p_u max. 300 mbar
D	With disc clearance
A	With stop bar
	Temperature range:
100	100°C
350	350°C
450	450°C
650	650°C
AU	Attachment set for axial mounting: IC 50 above the pipe
AS	IC 50 to the side of the pipe
	Attachment set with linkage:
GD	for DKR..D
GDW	and heat deflector for DKR..D
GA	and shock suppressor for DKR..A
GAW	and shock suppressor and heat deflector for DKR..A
/50	Series 50, with higher torque
	Running time [s]/Adjustment angle [°]:
-03	3.7/90
-07	7.5/90
-15	15/90
-30	30/90
-60	60/90
	Mains voltage:
W	230 V AC, 50/60 Hz
Q	120 V AC, 50/60 Hz
H	24 V AC, 50/60 Hz
	Torque:
3	3 Nm
7	7 Nm
15	15 Nm
20	20 Nm
30	30 Nm
E	Continuous control
T	Three-point step control
R10	Feedback potentiometer

Part designations

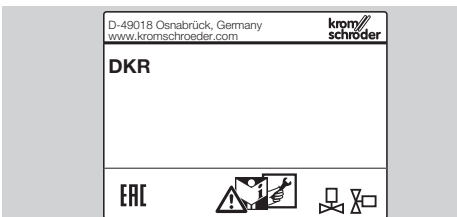


- 1 Actuator IC 50
- 2 Butterfly valve
- 3 Attachment set for axial mounting



- 1 Actuator IC 50
- 2 Butterfly valve
- 3 Attachment set with linkage (with shock suppressor for DKR..A only)
- 4 Heat deflector (optional)

Ambient and medium temperature, installation position and inlet pressure – see type label.



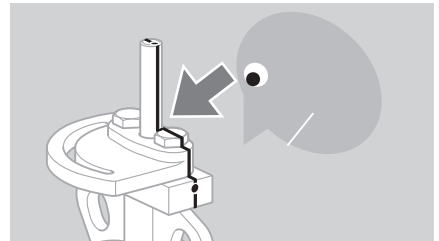
Installing the butterfly valve in the pipe

! CAUTION

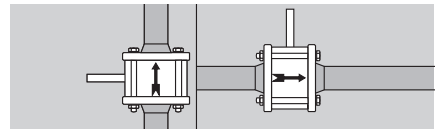
Please observe the following to ensure that the butterfly valve is not damaged during installation and operation:

- Avoid pressure surges and temperature shocks.
- Sealing material and dirt, e.g. thread cuttings, must not be allowed to get into the unit.
- Do not store or install the unit in the open air.
- Install the butterfly valve in the pipe free of mechanical stress.
- A maximum flow velocity of 30 m/s is recommended.
- Flange sealing surfaces must not be damaged by mechanical or other effects.
- If the actuator is retrofitted, the settings must be adjusted to the butterfly valve.

- 1 A filter must be installed upstream of every system.
 - ▷ The length of the inlet and outlet section should be 2 x DN.
 - ▷ The butterfly valve is intended to be installed in-between two flanges.
 - ▷ The flanges of the pipe must have a smooth sealing surface in accordance with DIN EN 1092-1 (shape B1/B2) or ANSI B16.5. The flanges must be flush and coplanar.
- 2 When installing, align the valve disc with the corresponding marking. Otherwise, the valve disc may stick during operation.

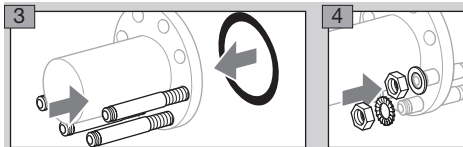


- ▷ Installation in the vertical or horizontal position, not upside down.

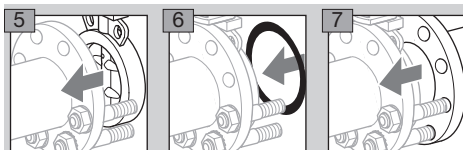


- ▷ We recommend installing the butterfly valve in the vertical position with the direction of flow from bottom to top in order to prevent condensation and to prevent dirt from accumulating on the stop bar in the case of butterfly valves with stop bar (DKR..A).

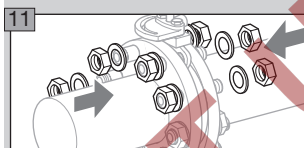
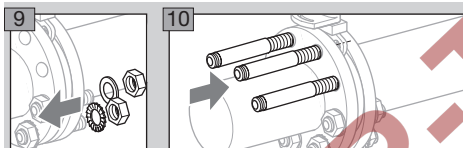
- ▷ If you are using an insulated pipeline ensure that there is sufficient installation space to access the screw connectors near the valve. Do not insulate the butterfly valve with thermal insulation.
- ▷ Use heat deflectors for a medium temperature of > 250°C, see page 7 (Accessories).



- ▷ Ensure that both serrated lock washers are fitted to the same screw.

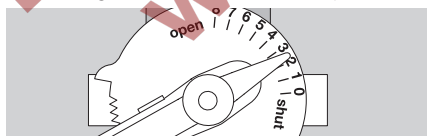


8 Centre the butterfly valve.



Butterfly valve with manual adjustment DKR..H

- ▷ Do not use extensions as levers on the DKR..H. The locking lever can be actuated using hand pressure.
- ▷ The locking lever indicates the valve position.



If the locking lever is at a right angle to the pipe, the valve is shut.

If the locking lever is parallel to the pipe, the valve is open.

Butterfly valve with free shaft end DKR..F

- ▷ If an actuator other than Elster's IC 50 is to be fitted to butterfly valve DKR..F, the pitch L must be taken into account when attaching the actuator.

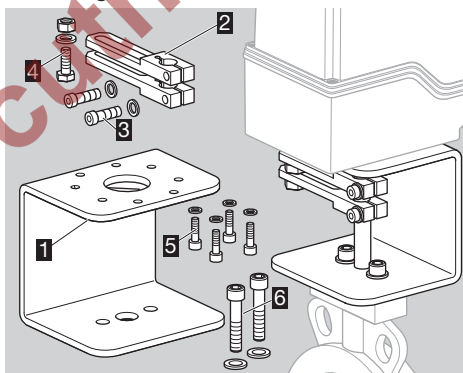
	L	M	D
DKR 15–32	36	M8	ø 8
DKR 40–50	40	M8	ø 8
DKR 65–125	40	M8	ø 12
DKR 150–300	60	M12	ø 12
DKR 350–500	90	M16	ø 12

Installing attachment sets for DKR..F

Axial mounting

- ▷ Depending on the installation position of the butterfly valve, actuator IC 50 can be mounted above or to the side of the pipe.
- ▷ The actuator can be mounted to the U bracket in increments of 90°.

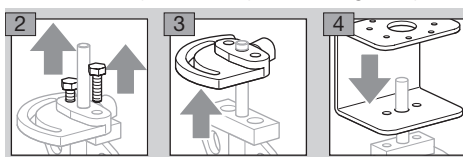
Part designations

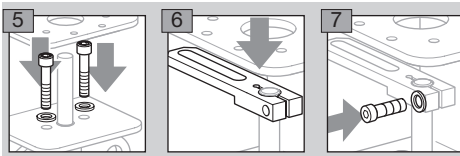


- 1 U bracket
- 2 2 x levers
- 3 2 x screws and washers for the levers
- 4 1 x screw, washer and nut
- 5 4 x screws and washers for the actuator
- 6 2 x screws and washers for the butterfly valve

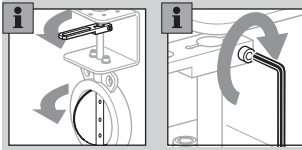
1 Lay out all the individual parts of the attachment set.

- ▷ 2 hexagon screws are to be unscrewed from the butterfly valve. They are no longer required.

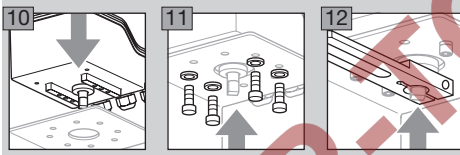




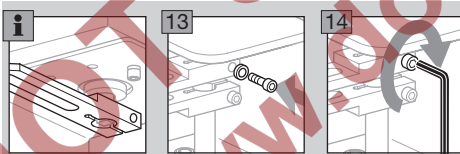
- 8** If the butterfly valve is fully open, align the lever parallel to the valve disc and then secure it in position. Do not fully tighten the screw.



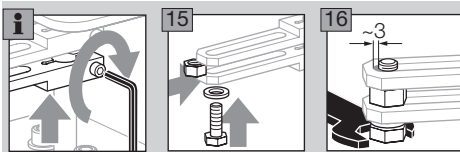
- 9** Close the butterfly valve again. Observe marking for valve position.
- ▷ When fitting the actuator, it is necessary to take into account its direction of rotation. Movement of the levers must not be obstructed.



- ▷ Before fully tightening the screw which attaches the lever for the actuator, ensure that the levers have been aligned parallel to one another.
- ▷ The lever must be flush with the end of the square shaft of the actuator.



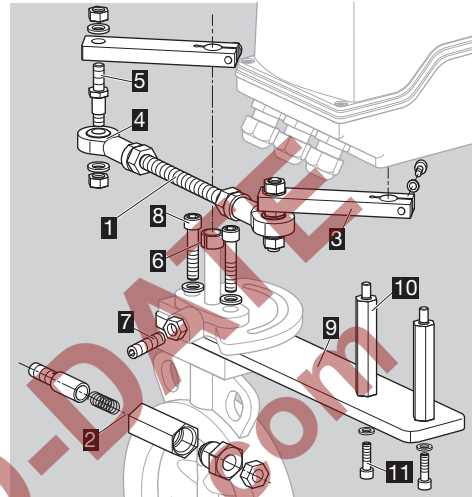
- ▷ Now slide the lever of the butterfly valve far enough towards the lever of the actuator to allow the nut in figure **15** to be inserted. The screw on the lever for the butterfly valve can then be fully tightened.



- ▷ The screw which draws along the lever for the actuator must not be pushed right to the end of the oblong hole. The clearance of approx. 3 mm ensures unobstructed lever movement.
- ▷ Assembly of attachment set with butterfly valve and actuator is now complete.
- ▷ Continue on page 7 (Commissioning).

Attachment with linkage

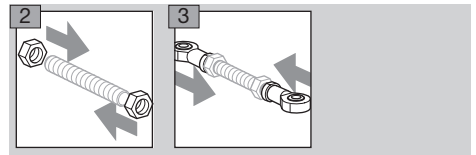
Part designations



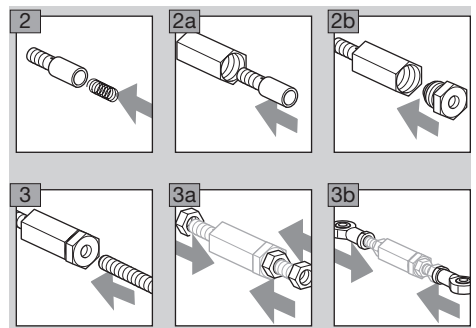
- 1** Threaded rod, 2 nuts (without shock suppressor)
- 2** Shock suppressor (for DKR..A only)
- 3** 2 x levers, 2 x screws, 2 x washers
- 4** 2 x rod ends
- 5** 2 x stud bolts, 4 x washers, 4 x nuts
- 6** Sleeve for shaft end (for DN 15 – 50 only)
- 7** Setscrew with nut
- 8** 2 x screws, 2 x washers for butterfly valve
- 9** Flat iron mounting bracket
- 10** 2 x spacer bolts for actuator
- 11** 2 x screws, 2 x washers for actuator

- 1** Lay out all the individual parts of the attachment set.

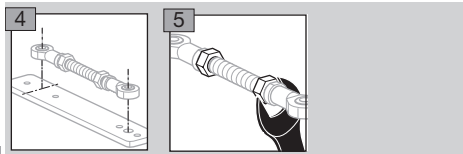
Mounting the threaded rod without shock suppressor



Mounting the threaded rod with shock suppressor

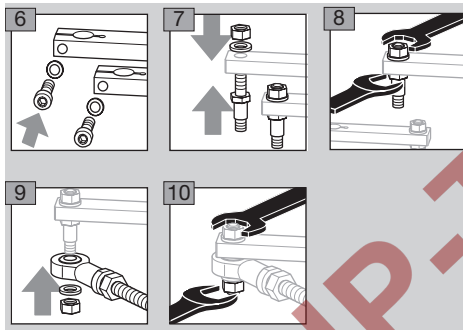


- ▷ Assembly of threaded rod and rod ends is now complete.
- ▷ Align the threaded rod and rod ends with the openings in the flat iron mounting bracket. Only then should the nuts be secured.



Mounting the threaded rod and levers

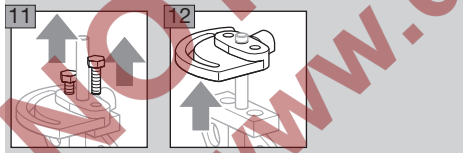
- ▷ In the case of an attachment set with shock suppressor for DKR..A, the pictures below may not be applicable. The procedure is the same, however.



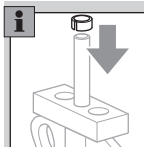
- ▷ Assembly of threaded rod, rod ends and levers is now complete.

Mounting the butterfly valve

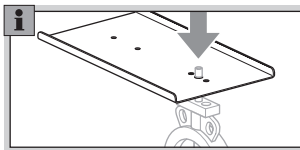
- ▷ 2 hexagon screws are to be unscrewed from the butterfly valve. They are no longer required.



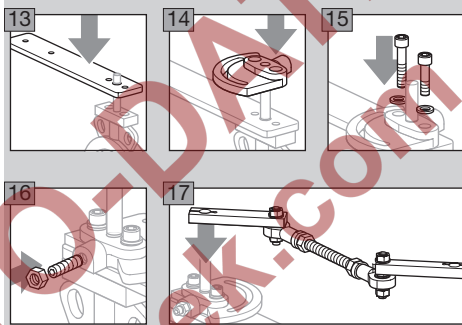
- ▷ Up to DN 50, a sleeve is enclosed which increases the diameter of the shaft for further mounting operations. The fitted sleeve must be flush with the end of the shaft.



- ▷ Mount a heat deflector (optional) for temperatures of more than 250°C, see page 7 (Accessories).



- ▷ In the case of an attachment set with shock suppressor or heat deflector, the pictures below may not be applicable. The procedure is the same, however.

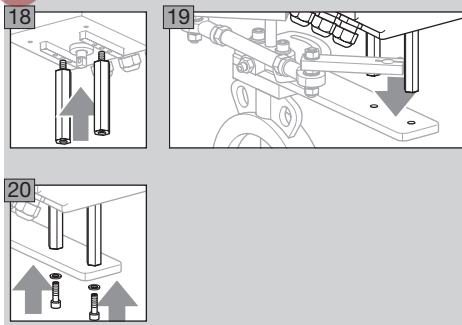


- ▷ Do not fully tighten the lever for the butterfly valve.

Mounting the actuator

! CAUTION

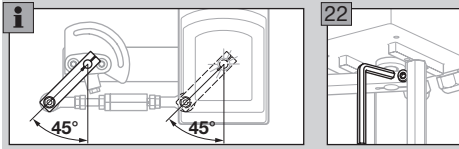
When mounting the actuator, it is necessary to take into account its direction of rotation.



- ▷ 21 Align the threaded rod and flat iron mounting bracket so that they are parallel.

- ▷ Ensure that the levers can move unobstructed.

- ▷ Before fitting the levers securely, align them at an angle of 45° and in accordance with the direction of rotation of the actuator.
- ▷ Ensure that the valve disc is closed. Observe marking for valve position.
- ▷ The pictures below may not correspond to the actual application.



23 Tighten both levers.

- ▷ Assembly of attachment set with butterfly valve and actuator is now complete.

Commissioning

- ▷ The valve disc must open and close unobstructed.
- ▷ Purge the pipes thoroughly to remove any foreign particles from the system.
- ▷ For further information on commissioning the butterfly valve with actuator IC 50, see www.docuthek.com, Actuator IC 50 operating instructions.

Pressure test

! CAUTION

Please observe the following to ensure that the butterfly valve is not damaged during the pressure test:

- Valve open: the test pressure may not exceed 1.5 x inlet pressure p_U .
- Valve closed: the test pressure may not exceed 1.1 x inlet pressure p_U .

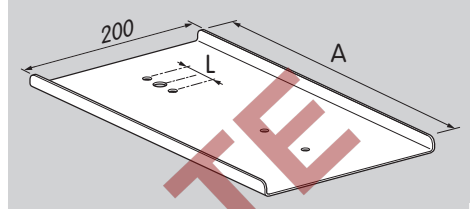
Maintenance

The butterfly valves suffer little wear and require little servicing. We recommend a function check once a year.

Accessories

Heat deflector

Use heat deflectors for medium temperatures of > 250°C.



	L	A	Order No.
DKR 15–20	36	366	74924966
DKR 25–32	36	366	74924967
DKR 40–50	40	366	74924968
DKR 65–100	40	366	74924969
DKR 125	40	459	74924970
DKR 150–250	60	459	74924971
DKR 300	60	566	74924972
DKR 350	90	619	74924973
DKR 400–500	90	758	74924974

Technical data

Icing, condensation and dew in and on the unit are not permitted.

Gas type: air, flue gas.

Inlet pressure p_U : max. 300 mbar.

Medium temperature:

DKR..100: -20 to +100°C,

DKR..350: -20 to +350°C,

DKR..450: -20 to +450°C,

DKR..650: -20 to +650°C.

Transport and ambient temperature: -20 to +60°C.

Storage temperature: -20 to +40°C.

This unit is not suitable for cleaning with a high-pressure cleaner and/or cleaning products.

Seals: free of asbestos.

DKR..100/350/450:

housing material: GG,

valve disc: up to DN 100: steel,

valve disc: from DN 125: GG,

drive shaft up to max. 350°C: steel,

drive shaft up to max. 450°C: stainless steel,

packing: graphite.

DKR..650:

housing material: heat-resistant cast iron,

valve disc: up to DN 65: stainless steel,

valve disc: from DN 80: heat-resistant cast iron,

drive shaft: stainless steel,

packing: aluminium silicate.

Logistics

Transport

Protect the unit from external forces (blows, shocks, vibration).

Transport temperature: see page 7 (Technical data).

Transport is subject to the ambient conditions described.

Report any transport damage on the unit or packaging without delay.

Check that the delivery is complete, see page 2 (Part designations).

Storage

Storage temperature: see page 7 (Technical data).

Storage is subject to the ambient conditions described.

Storage time: 6 months before using for the first time. If stored for longer than this, the overall service life will be reduced by the corresponding amount of extra storage time.

Packaging

The packaging material is to be disposed of in accordance with local regulations.

Disposal

Components are to be disposed of separately in accordance with local regulations.

Certification

Eurasian Customs Union



The product DKR meets the technical specifications of the Eurasian Customs Union.

Contact

If you have any technical questions, please contact your local branch office/agent. The addresses are available on the Internet or from Elster GmbH.

We reserve the right to make technical modifications in the interests of progress.

Honeywell

**krom//
schroder**

Elster GmbH
Strotheweg 1, D-49504 Lotte (Büren)
Tel. +49 541 1214-0

Fax +49 541 1214-370

hts.lotte@honeywell.com, www.kromschroeder.com