

03251596


[www.docuthek.com](http://www.docuthek.com)

**krom  
schroder**

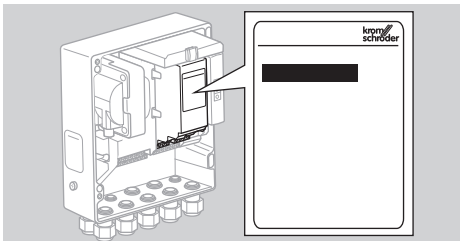
## Replacing power module LM 400 on burner control units BCU 460, 465 or 480

### ! CAUTION

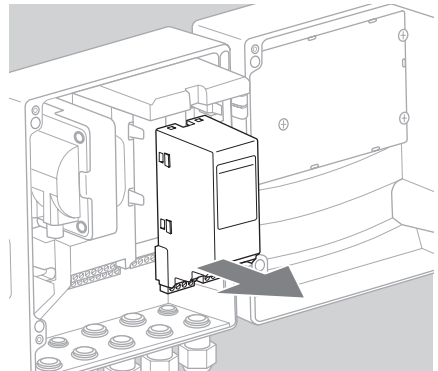
BCU 4xx/LM..E0 and BCU 4xx/LM..E1 have a different power supply for the gas valves. The following combinations are allowed:

- BCU 4xx..E1 + LM..E1 = power supply via L1,
- BCU 4xx..E0 + LM..E1 = power supply for gas valves via terminal 35, power supply for air outputs via L1,
- BCU 4xx..E0 + LM..E0 = power supply via terminal 35.

▷ LM 400 as a spare part: the identification numbers of the old and new unit must be identical. Identification number – see type label.



- 1 Disconnect the BCU from the electrical power supply.
- 2 Open the cover of the BCU.
- 3 Disconnect the connection plug from the power module.
- 4 Replace the module.



### Further information

More detailed information can be found in the electronic operating instructions BCU 46x, 480 using the following link:

<https://docuthek.kromschroeder.com/documents/index.php?menuid=31&topmenu=31&lang=en&selclass=&sellang=&folder=401294>



### Contact

If you have any technical questions, please contact your local branch office/agent. The addresses are available on the Internet or from Elster GmbH.

We reserve the right to make technical modifications in the interests of progress.

**Honeywell**

**krom  
schroder**

Elster GmbH  
Strotheweg 1, D-49504 Lotte (Büren)

Tel. +49 541 1214-0

Fax +49 541 1214-370

[hts.lotte@honeywell.com](mailto:hts.lotte@honeywell.com), [www.kromschroeder.com](http://www.kromschroeder.com)