

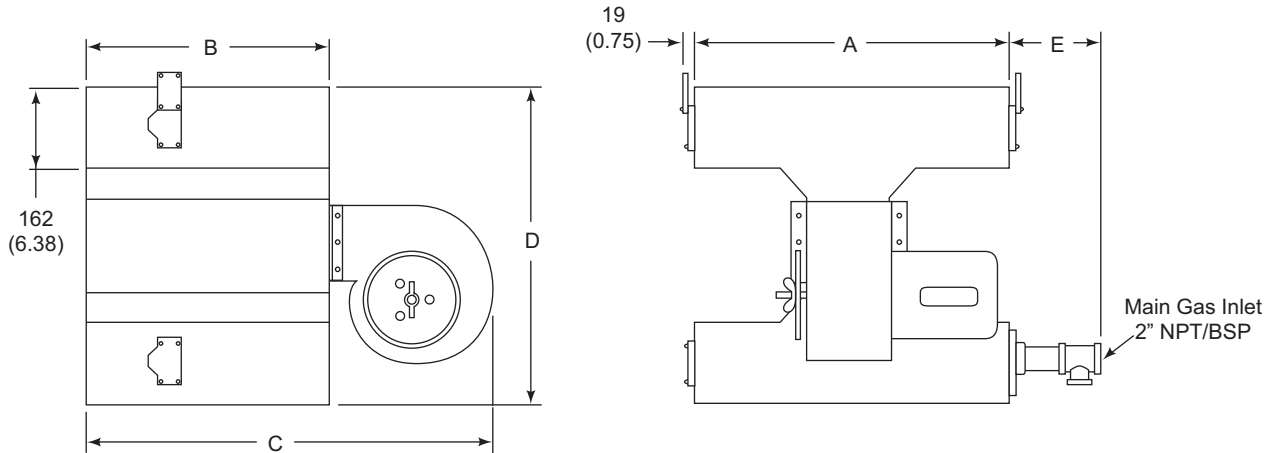
Eclipse AirHeat Burners

Model TAH

Data sheet Edition 10.18

Version 1

Dimensions in millimeters (inches)



English Units

Burner Catalog No.	Assembly No.	Blower Catalog No. ²	Dimensions in inches				
			A	B	C	D	E
240 TAH	109449	65-84S-1/3	12-1/8	12-5/16	25-1/4	18-1/2	9-1/2
280 TAH	109450	66-94S-3/4	12-1/8	12-5/16	25-1/4	24-7/8	9-7/8
320 TAH	109451	66-94S-3/4	12-1/8	12-5/16	25-1/4	30-7/8	9-7/8
360 TAH	109452	66-94S-3/4	12-1/8	18-13/16	33-3/4	36-7/8	9-7/8
400 TAH	109453	66-94S-3/4	24-1/8	18-13/16	33-3/4	18-7/8	9-7/8
440 TAH	109454	66-94S-3/4	24-1/8	18-13/16	33-3/4	24-7/8	10-1/2
480 TAH	109455	67-115S-1.5	24-1/8	18-13/16	33-3/4	30-7/8	10-1/2
520 TAH	109456	67-115S-1.5	24-1/8	18-13/16	35-3/8	36-7/8	10-1/2
560 TAH	109457	67-115S-2	36-1/8	18-13/16	35-3/8	18-7/8	10-1/2
600 TAH	109458	67-115S-2	36-1/8	18-13/16	35-3/8	24-7/8	10-1/2
640 TAH	109459	67-115S-2	36-1/8	18-13/16	35-3/8	30-7/8	10-1/2
680 TAH	109460	78-126S-3	36-1/8	18-13/16	38-13/16	36-7/8	10-1/2
720 TAH	109461	78-126S-3	36-1/8	18-13/16	38-13/16	42-7/8	10-1/2

English Units (Continued)

Burner Catalog No.	Assembly No.	Blower Catalog No. ²	Total Input ¹		Cross Sectional Area, sq. in.	Approximate Ship Weight, lbs.
			0.8 MM Btu/h/ft	1.0 MM Btu/h/ft		
240 TAH	109449	65-84S-1/3	2.4	3.0	230	140
280 TAH	109450	66-94S-3/4	2.8	3.5	269	157
320 TAH	109451	66-94S-3/4	3.2	4.0	307	183
360 TAH	109452	66-94S-3/4	3.6	4.5	345	203
400 TAH	109453	66-94S-3/4	4.0	5.0	383	225
440 TAH	109454	66-94S-3/4	4.4	5.5	422	243
480 TAH	109455	67-115S-1.5	4.8	6.0	460	279
520 TAH	109456	67-115S-1.5	5.2	6.5	498	310
560 TAH	109457	67-115S-2	5.6	7.0	536	342
600 TAH	109458	67-115S-2	6.0	7.5	575	375
640 TAH	109459	67-115S-2	6.4	8.0	613	390
680 TAH	109460	78-126S-3	6.8	8.5	651	425
720 TAH	109461	78-126S-3	7.2	9.0	689	450

Metric Units

Burner Catalog No.	Assembly No.	Blower Catalog No. ²	Dimensions in mm				
			A	B	C	D	E
240 TAH	109449	65-84S-1/3	308	313	641	470	241
280 TAH	109450	66-94S-3/4	308	313	641	632	251
320 TAH	109451	66-94S-3/4	308	313	641	784	251
360 TAH	109452	66-94S-3/4	308	478	857	937	251
400 TAH	109453	66-94S-3/4	613	478	857	479	251
440 TAH	109454	66-94S-3/4	613	478	857	632	267
480 TAH	109455	67-115S-1.5	613	478	857	784	267
520 TAH	109456	67-115S-1.5	613	478	899	937	267
560 TAH	109457	67-115S-2	918	478	899	479	267
600 TAH	109458	67-115S-2	918	478	899	632	267
640 TAH	109459	67-115S-2	918	478	899	784	267
680 TAH	109460	78-126S-3	918	478	986	937	267
720 TAH	109461	78-126S-3	918	478	986	1089	267

Metric Units (Continued)

Burner Catalog No.	Assembly No.	Blower Catalog No. ²	Total Input ¹		Cross Sectional Area, sq. cm.	Approximate Ship Weight, kg.
			769 kW/m	961 kW/m		
240 TAH	109449	65-84S-1/3	703	879	1484	64
280 TAH	109450	66-94S-3/4	821	1026	1736	71
320 TAH	109451	66-94S-3/4	938	1172	1981	83
360 TAH	109452	66-94S-3/4	1055	1391	2226	92
400 TAH	109453	66-94S-3/4	1172	1466	2471	102
440 TAH	109454	66-94S-3/4	1290	1612	2723	110
480 TAH	109455	67-115S-1.5	1407	1759	2968	127
520 TAH	109456	67-115S-1.5	1524	1905	3213	141
560 TAH	109457	67-115S-2	1641	2052	3458	155
600 TAH	109458	67-115S-2	1759	2198	3710	170
640 TAH	109459	67-115S-2	1876	2345	3955	177
680 TAH	109460	78-126S-3	1993	2491	4200	193
720 TAH	109461	78-126S-3	2110	2638	4445	204

1) See Information Guide 140 for more information about typical fuel composition and properties.

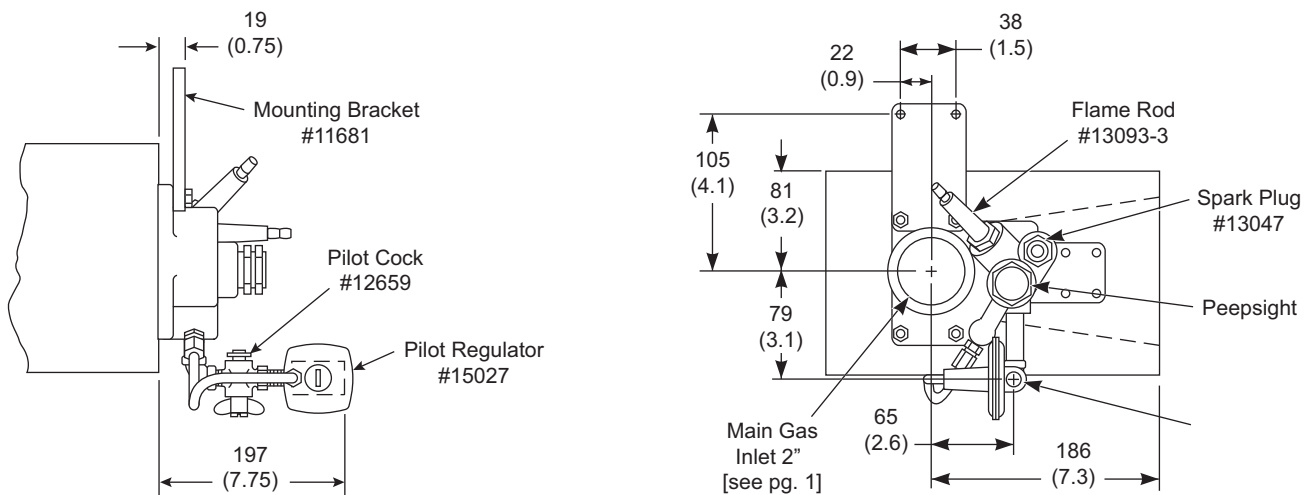
2) See TAH Datasheet for blower details.

Approvals



Pilot Components

Dimensions in millimeters (inches)

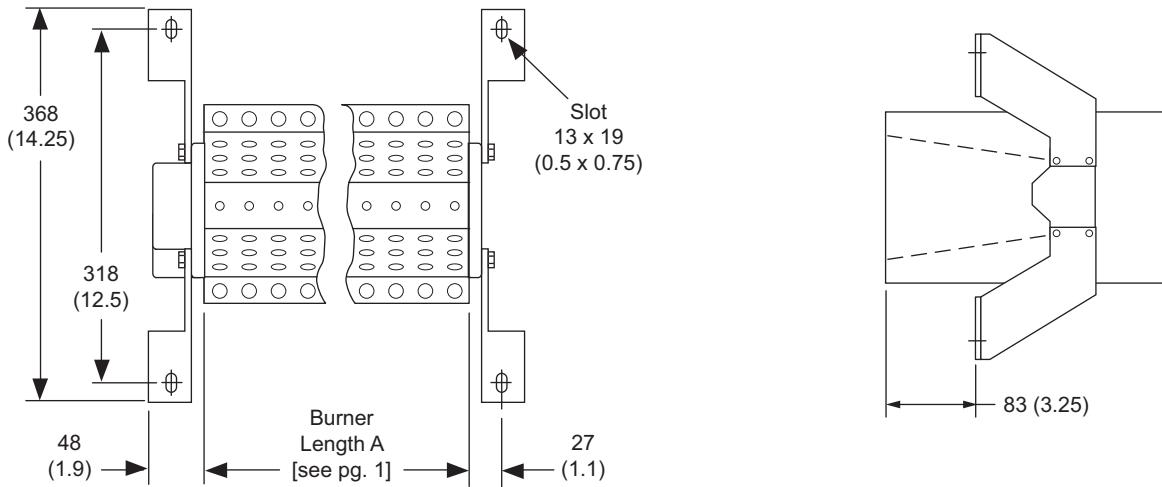


Check Valve Assembly No.

Burner	Assembly No.	NPT/BSP
240 TAH	550096	1"
280 thru 720 TAH	550100	1-1/4"

Mounting Options

201 AH Brackets for Slot Firing
Dimensions in millimeters (inches)



For More Information

The Honeywell Thermal Solutions family of products includes Honeywell Combustion Safety, Honeywell Combustion Service, Eclipse, EXOTHERMICS, HAUCK, Kromschröder and MAXON. To learn more about our products, visit ThermalSolutions.honeywell.com or contact your Honeywell Sales Engineer.

Honeywell Process Solutions

Honeywell Thermal Solutions (HTS)

Eclipse Inc.

1665 Elmwood Rd.

Rockford, IL 61103

United States

T +1 815 877 3031

www.ThermalSolutions.honeywell.com

® U.S. Registered Trademark
© 2018 Honeywell International Inc.
32-00217-01 M.S. Rev. 10-18
Printed in United States

Honeywell