

# Eclipse ImmersoPak Burners

Model IP008

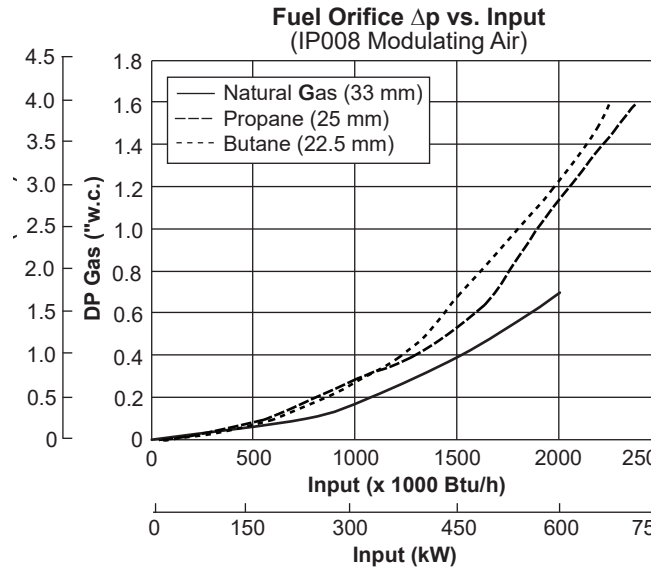
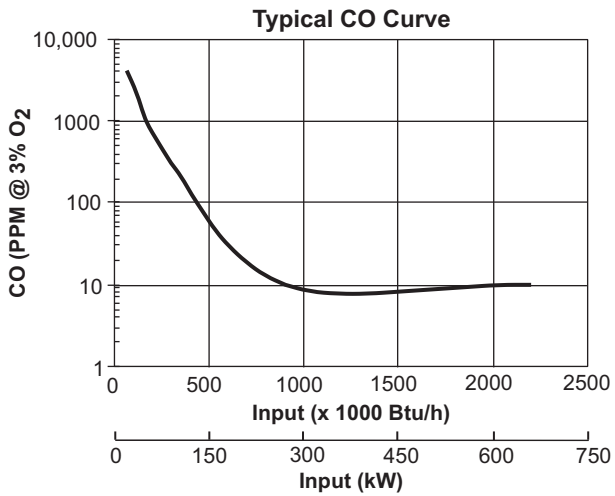
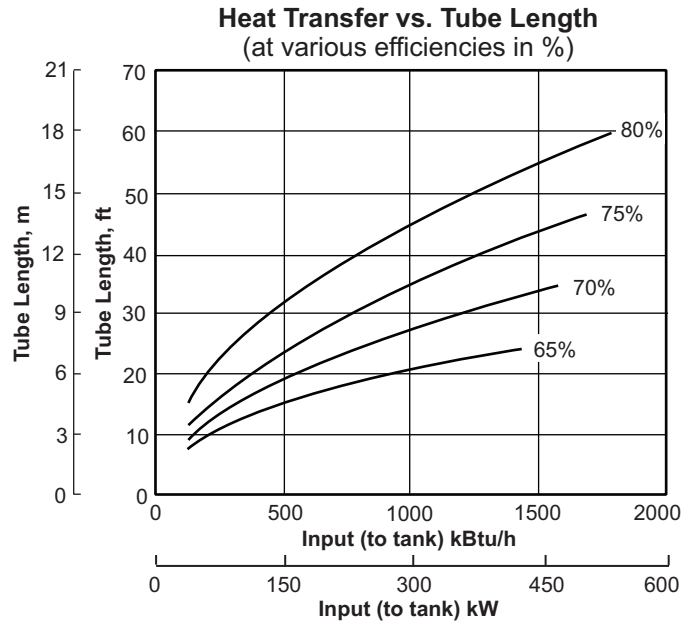
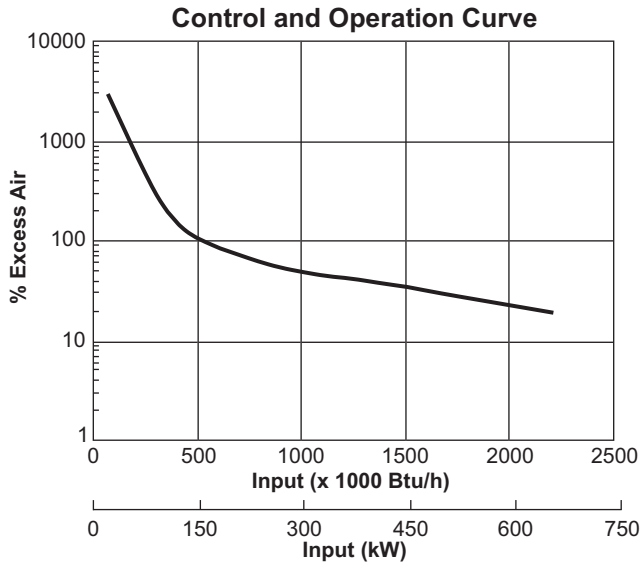
Data sheet Edition 09.18

Version 3

Parameter	Modulating Air		
	Natural Gas	Propane	Butane
Maximum Input, kBtu/h (kW)	2050 (600)	2350 (688)	2250 (659)
Low Firing Rate x 1000 Btu/h (kW)	40 (12)	60 (17.5)	60 (17.5)
High Fire CO, ppm	< 15	< 60	< 60
Orifice Size, mm	33	25	22.5
Air Inlet Pressure at Maximum Input, "w.c. (mbar) Air pressure at burner inlet (Tap A)	3 (7.5)		
Main Gas Inlet Pressure, "w.c. (mbar)	Maximum	75 (187)	
	Minimum	15 (37)	
	Recommended	18 (45)	
Weight - less actuator, lbs (kg)	160 (72.5)		
Blower Type	10" Packaged		
Piping	NPT or BSP		
Flame Detection	UV Scanner		
Approvals	<b>EAC</b>		

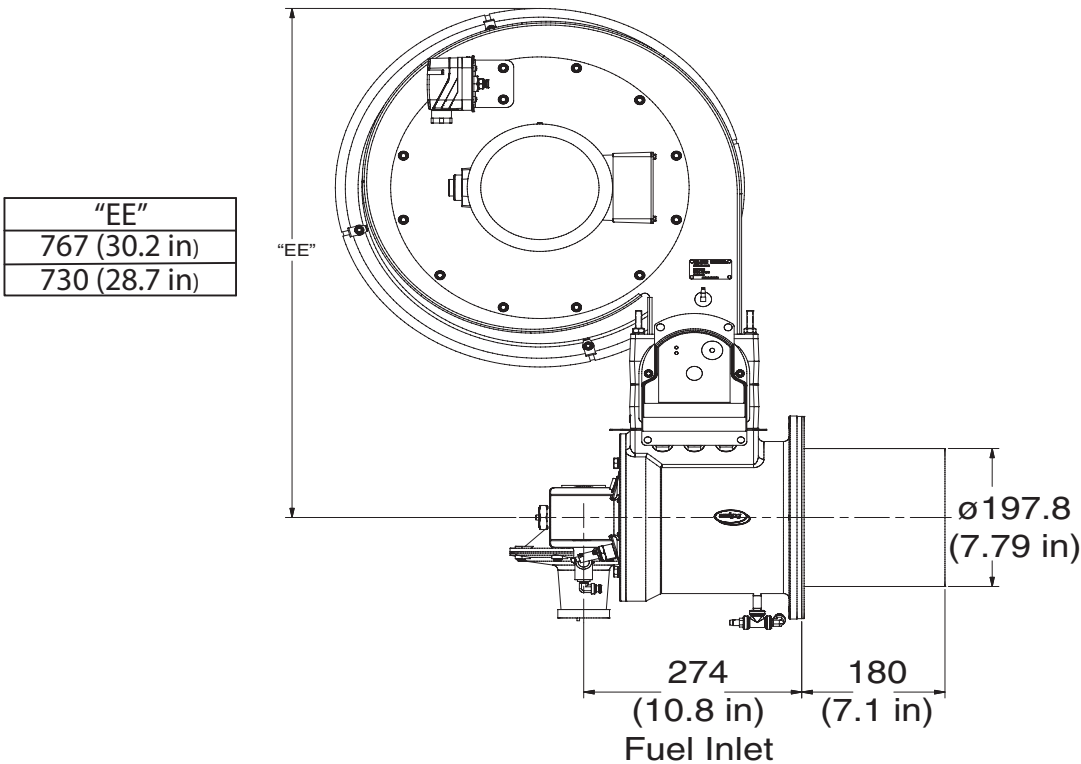
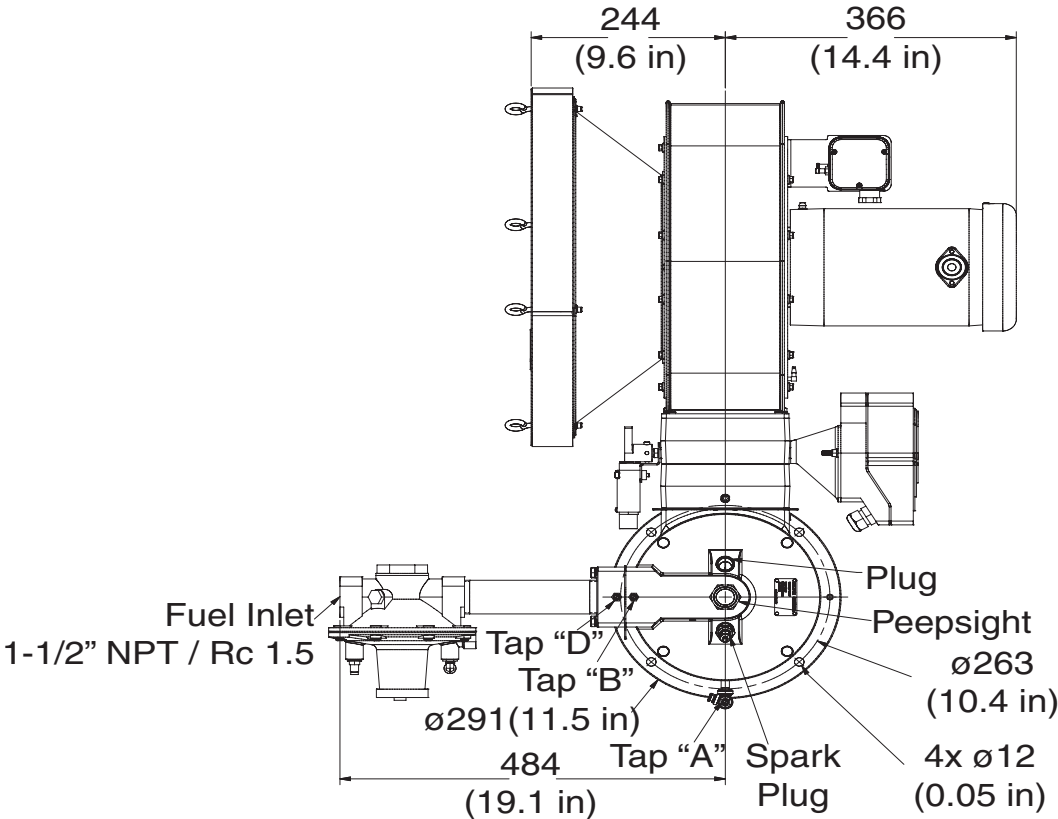
- All information is based on laboratory testing with a tube effective length of 35.3 feet (10.8 m). Different tube sizes and conditions (including back pressure) may affect the data.
- All information is based on standard tube design. Changes in the tube will alter performance and pressures.
- All inputs based upon gross calorific values.
- Plumbing of air and gas will affect accuracy of orifice readings. All information is based on generally acceptable air and gas piping practices.
- For 65% to 80% efficiency at high fire, tube length should be 25 to 60 feet long.
- See Design Guide 360 for more information about typical fuel composition and properties
- Eclipse reserves the right to change the construction and/or configuration of our products at any time without being obliged to adjust earlier supplies accordingly.

## Performance Graphs



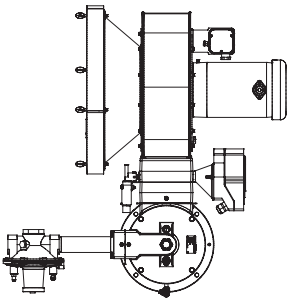
### Dimensions and Specifications

Dimensions in mm (inches)

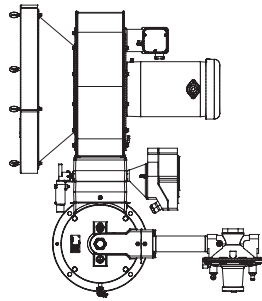


## Burner Configurations

### Upright

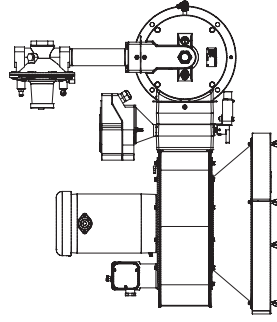


LeftHand Piping

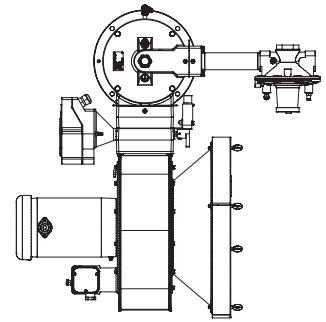


Right Hand Piping

### Inverted



Left Hand Piping



Right Hand Piping

### For More Information

The Honeywell Thermal Solutions family of products includes Honeywell Combustion Safety, Honeywell Combustion Service, Eclipse, EXOTHERMICS, HAUCK, Kromschröder and MAXON. To learn more about our products, visit [ThermalSolutions.honeywell.com](http://ThermalSolutions.honeywell.com) or contact your Honeywell Sales Engineer.

### Honeywell Process Solutions

Honeywell Thermal Solutions (HTS)

Eclipse Inc.

1665 Elmwood Rd.

Rockford, IL 61103

United States

T +1 815 877 3031

[www.ThermalSolutions.honeywell.com](http://www.ThermalSolutions.honeywell.com)

® U.S. Registered Trademark  
© 2018 Honeywell International Inc.  
32-00098-01 M.S. Rev. 09-18  
Printed in United States

**Honeywell**  
ECLIPSE®