

Eclipse ImmersoPak Burners

Model IP006

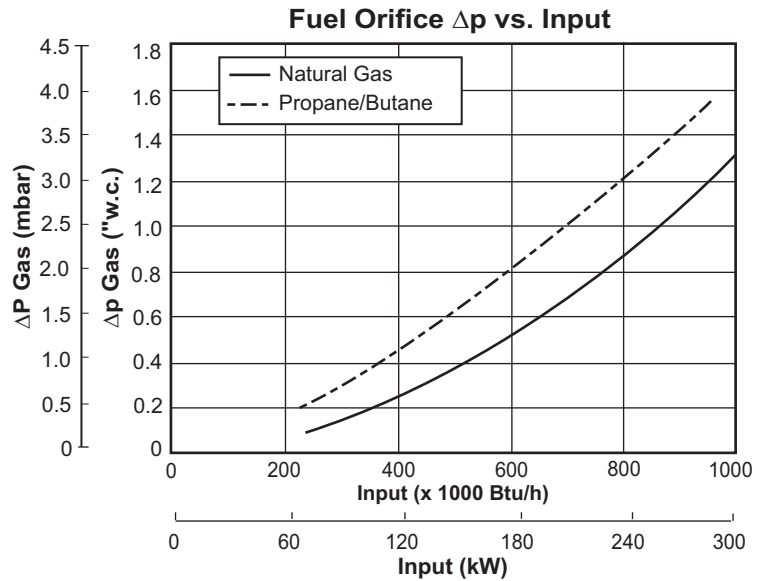
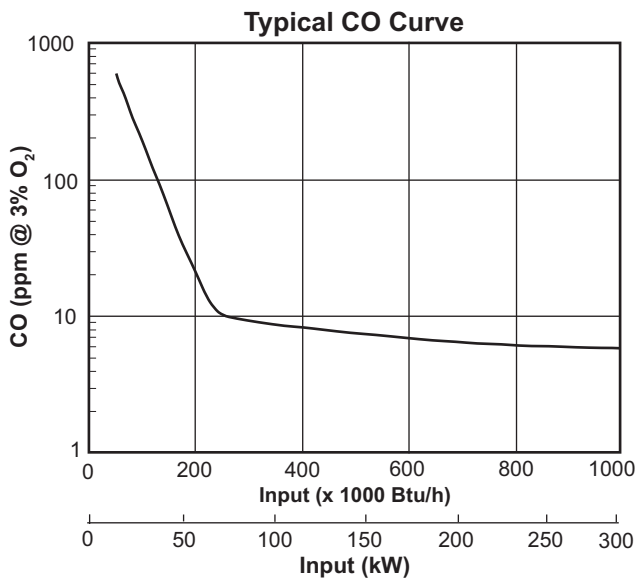
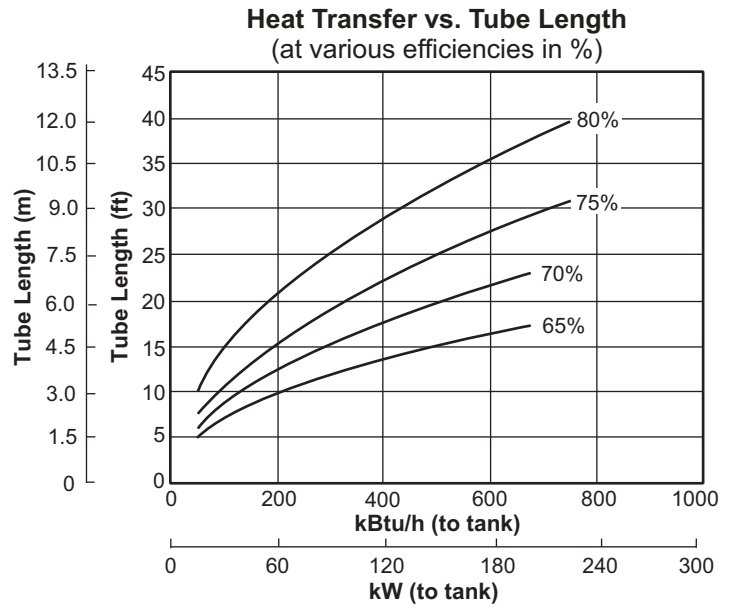
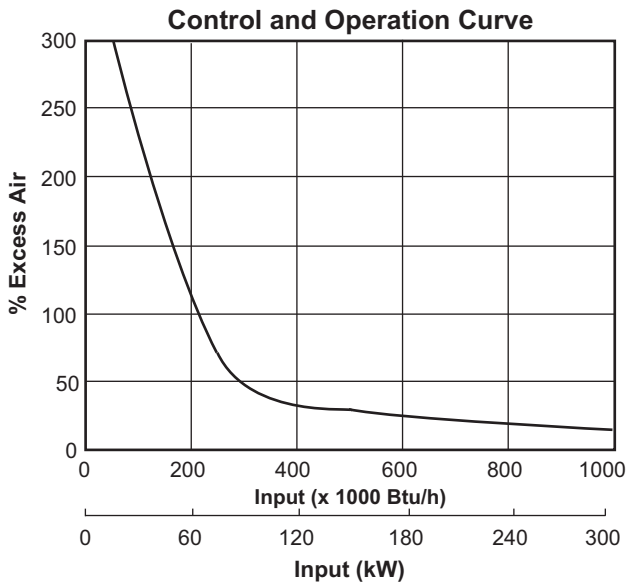
Data sheet Edition 09.18

Version 3

Parameter	Modulating Air		
	Natural Gas	Propane	Butane
Maximum Input, kBtu/h (kW)	875 (256)	875 (256)	875 (256)
Low Firing Rate x 1000 Btu/h (kW)	40 (12)	40 (12)	40 (12)
High Fire CO, ppm	< 10	< 10	< 10
Orifice Size, mm	20.5	16.0	15.0
Air Inlet Pressure at Maximum Input, "w.c. (mbar) <i>Air pressure at burner inlet (Tap A)</i>	3 (7.5)		
Main Gas Inlet Pressure, "w.c. (mbar)	Maximum	27.7 (69.0)	
	Minimum	15 (37.4)	
	Recommended	17 (42.3)	
Tube Back Pressure, "w.c. (mbar)	0.2 (0.5)		
Weight - less actuator, lbs (kg)	99 (45)		
Blower Type	6" Packaged		
Piping	1" NPT or BSP		
Flame Detection	Flamerod or UV Scanner		
Approvals	EAC		

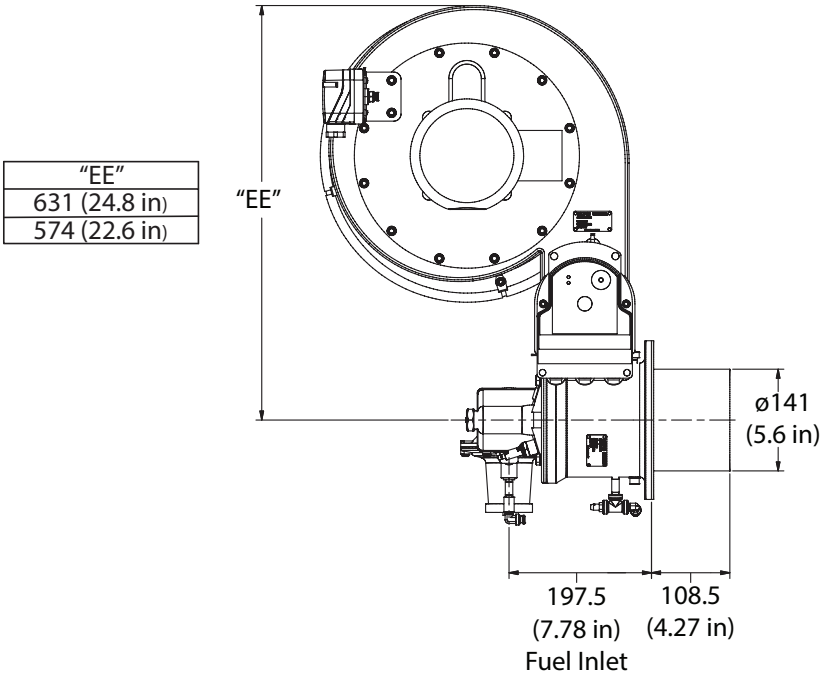
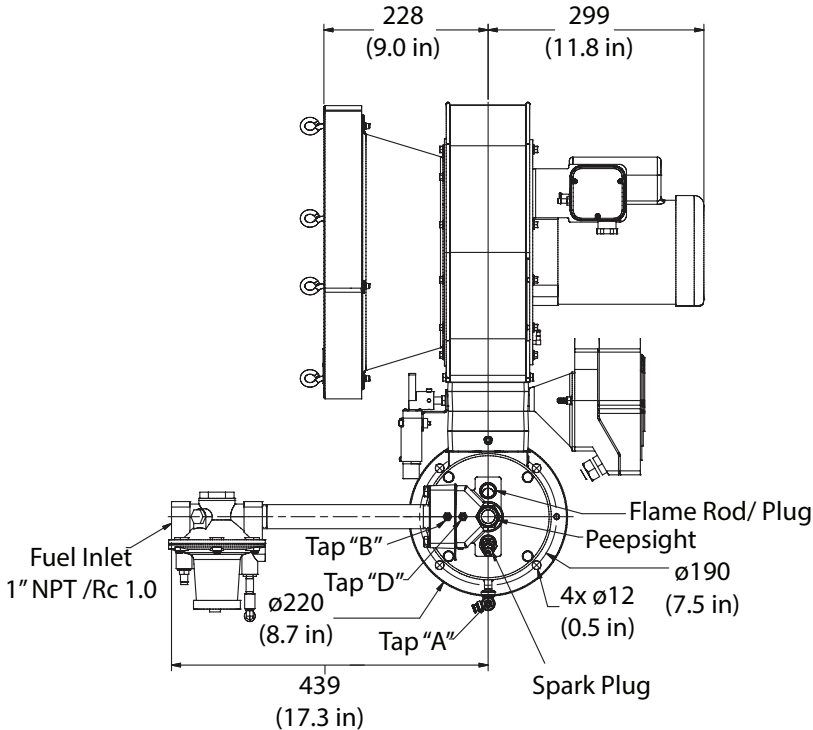
- All information is based on laboratory testing with a tube effective length of 31.4 feet (9.6m). Different tube sizes and conditions (including back pressure) may affect the data.
- All information is based on standard tube design. Changes in the tube will alter performance and pressures.
- All inputs based upon gross calorific values.
- Plumbing of air and gas will affect accuracy of orifice readings. All information is based on generally acceptable air and gas piping practices.
- For 65% to 80% efficiency at high fire, tube length should be 16 to 42 feet long.
- See Design Guide 360 for more information about typical fuel composition and properties
- Eclipse reserves the right to change the construction and/or configuration of our products at any time without being obliged to adjust earlier supplies accordingly.

Performance Graphs



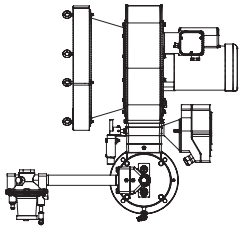
Dimensions and Specifications

Dimensions in mm (inches)

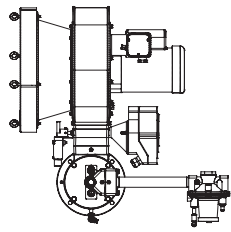


Burner Configurations

Upright

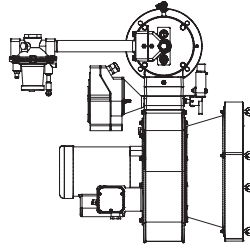


Left Hand Piping

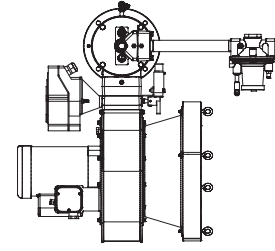


Right Hand Piping

Inverted



Left Hand Piping



Right Hand Piping

For More Information

The Honeywell Thermal Solutions family of products includes Honeywell Combustion Safety, Honeywell Combustion Service, Eclipse, EXOTHERMICS, HAUCK, Kromschröder and MAXON. To learn more about our products, visit ThermalSolutions.honeywell.com or contact your Honeywell Sales Engineer.

Honeywell Process Solutions

Honeywell Thermal Solutions (HTS)

Eclipse Inc.

1665 Elmwood Rd.

Rockford, IL 61103

United States

T +1 815 877 3031

www.ThermalSolutions.honeywell.com

® U.S. Registered Trademark
© 2018 Honeywell International Inc.
32-00097-01 M.S. Rev. 09-18
Printed in United States

Honeywell
ECLIPSE®