


Eclipse ImmersoPak Burners

Model IP004

Data sheet Edition 09.18

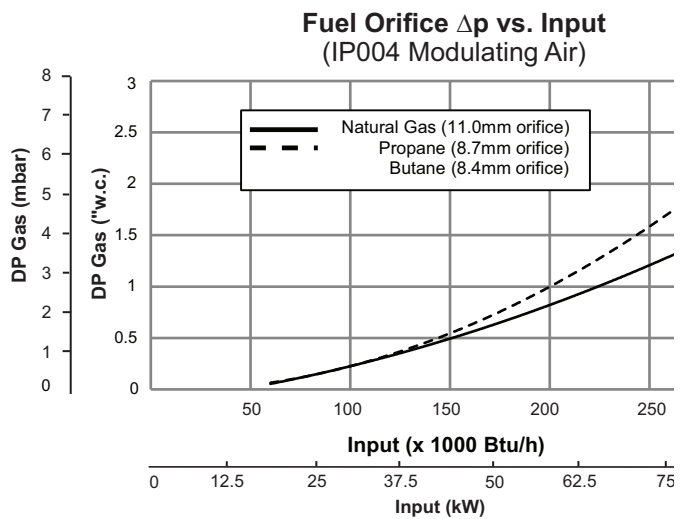
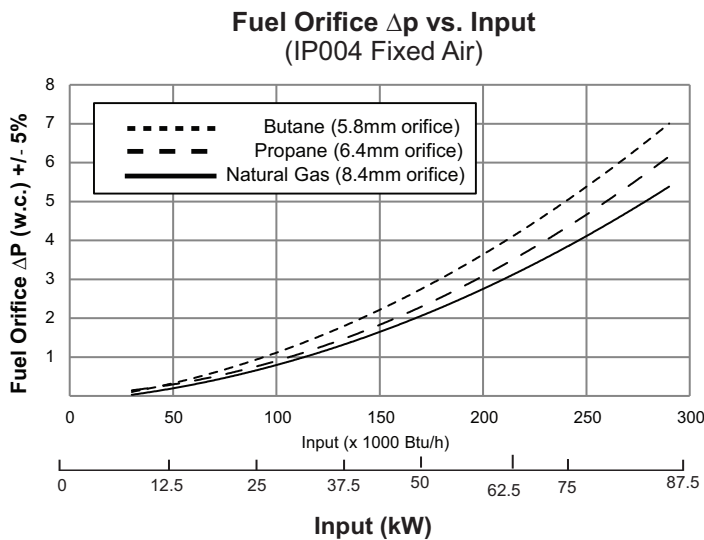
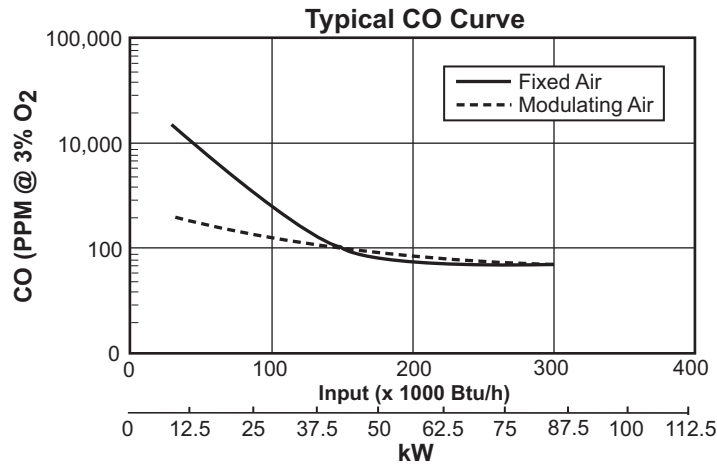
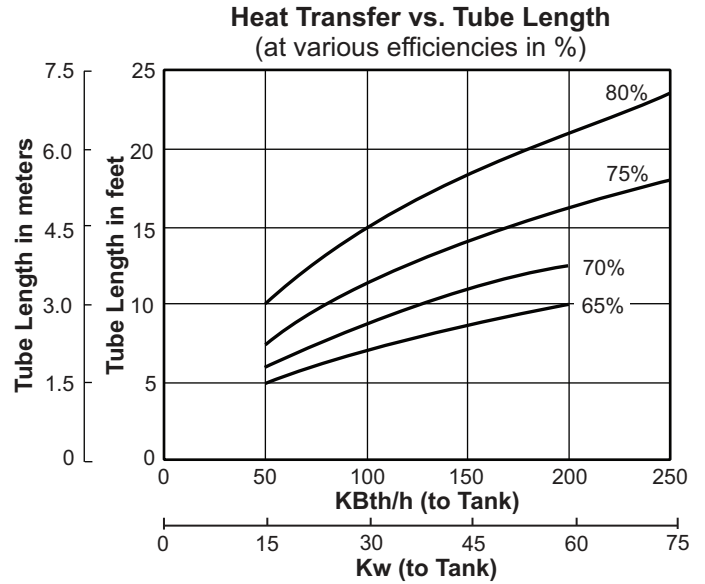
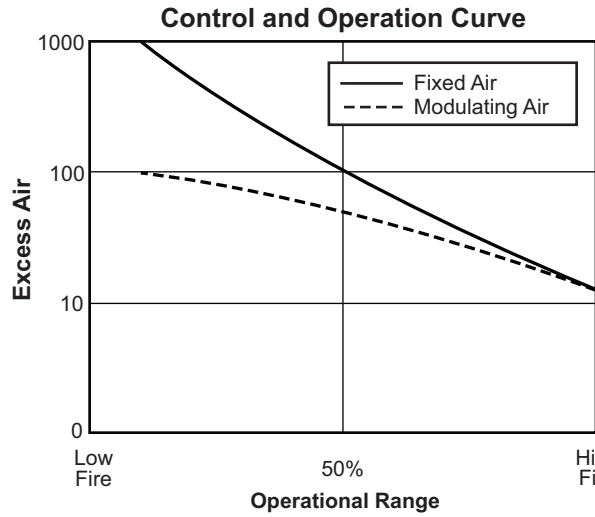
Version 3

| Parameter | Fixed Air (Control Options 1, 3, 4) | | | Modulating Air (Control Option 2) | | |
|---|---|-------------|----------|--------------------------------------|----------|----------|
| | Natural Gas | Propane | Butane | Natural Gas | Propane | Butane |
| Maximum Input, kBtu/h (kW) | 290 (85) | 275 (80) | 270 (79) | 270 (79) | 275 (80) | 275 (80) |
| Low Firing Rate x 1000 Btu/h (kW) | 30 (9) | 30 (9) | 30 (9) | 60 (18) | 60 (18) | 60 (18) |
| High Fire CO, ppm | < 50 | < 50 | < 50 | < 50 | < 50 | < 50 |
| Orifice Size, mm | 8.4 | 6.4 | 5.8 | 11.0 | 8.7 | 8.4 |
| Air Inlet Pressure at Maximum Input, "w.c. (mbar) Air pressure at burner inlet (Tap A) | 7 (17.4) | | | 3 (7.5) | | |
| Main Gas Inlet Pressure, "w.c. (mbar) | Maximum | 27.7 (69.0) | | 27.7 (69.0) | | |
| | Minimum | 12 (29.9) | | 12 (29.9) | | |
| | Recommended | 15 (37.4) | | 15 (37.4) | | |
| Tube Back Pressure, "w.c. (mbar) | 0.2 (0.5) | | | 0.2 (0.5) | | |
| Weight - less actuator, lbs (kg) | 68 (31) | | | | | |
| Blower Type | 6" Packaged | | | | | |
| Piping | NPT or BSP* | | | | | |
| Flame Detection | Flamerod or UV Scanner | | | | | |
| Approvals |  | | | | | |

* BSP is interface connection only.

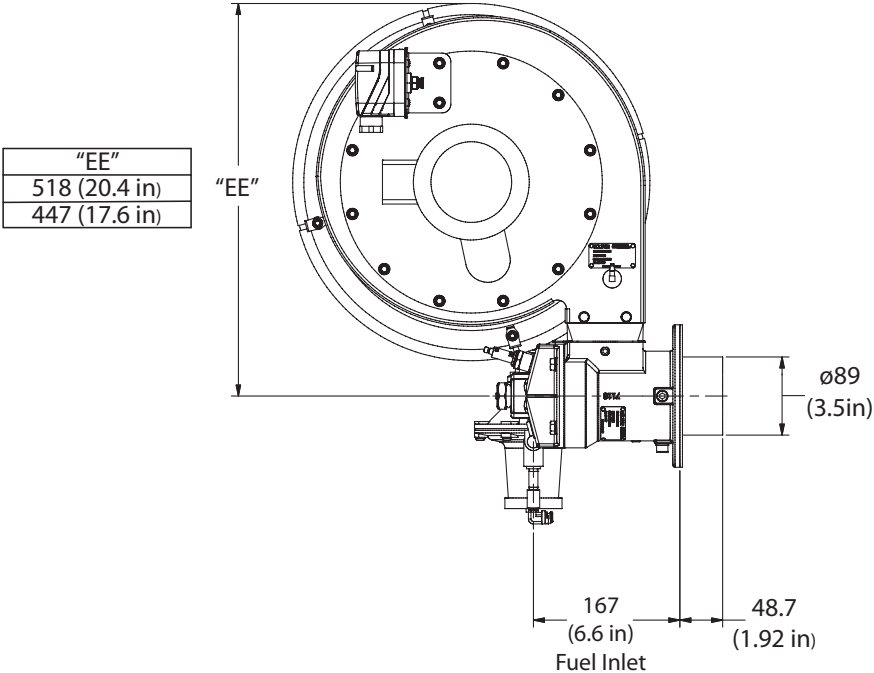
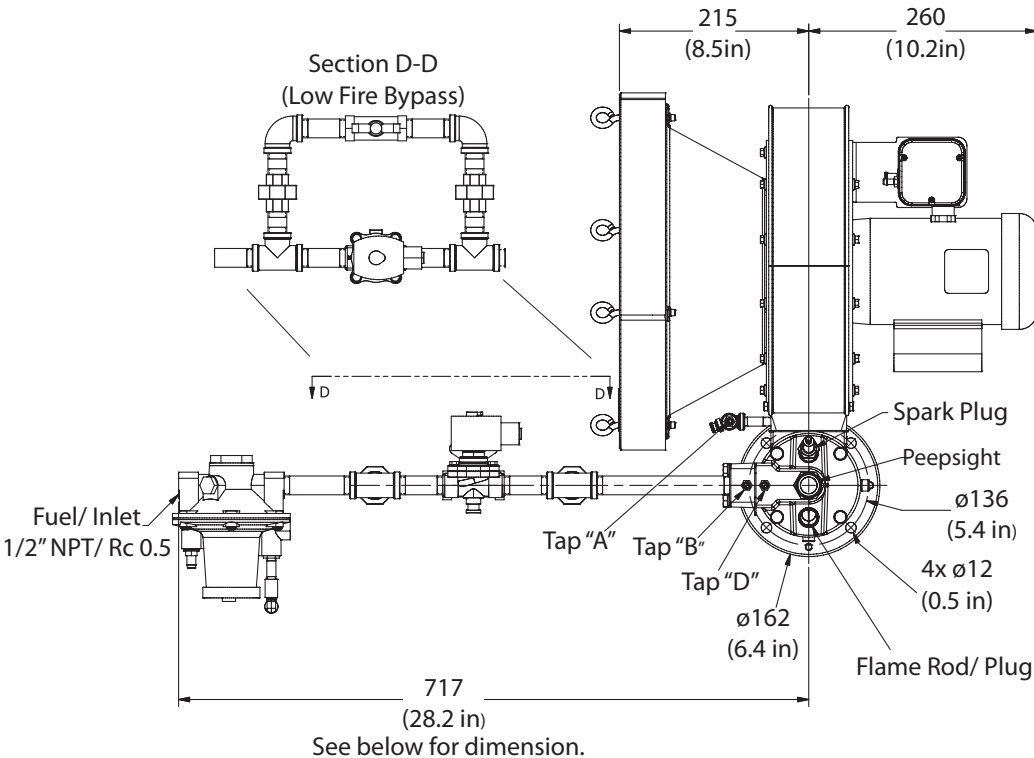
- All information is based on laboratory testing with a tube effective length of 29.6 feet (9.0 m) feet. Different tube sizes and conditions (including back pressure) may affect the data.
- All information is based on standard tube design. Changes in the tube will alter performance and pressures.
- All inputs based upon gross calorific values.
- Plumbing of air and gas will affect accuracy of orifice readings. All information is based on generally acceptable air and gas piping practices.
- For 65% to 80% efficiency at high fire, tube length should be 10 to 23.5 feet long.
- See Design Guide 360 for more information about typical fuel composition and properties.
- Eclipse reserves the right to change the construction and/or configuration of our products at any time without being obliged to adjust earlier supplies accordingly.

Performance Graphs

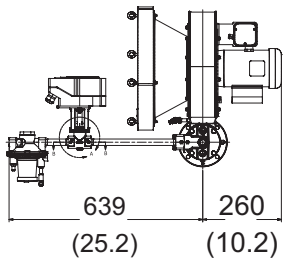


Dimensions and Specifications

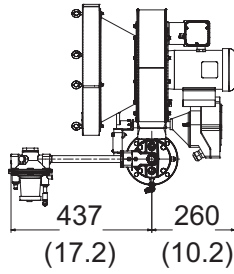
Dimensions in mm (inches)



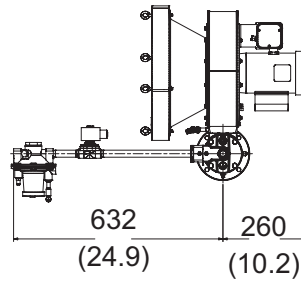
Control Options



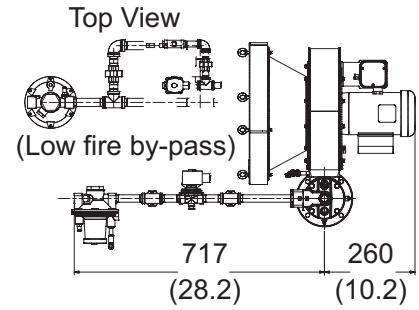
Option 1
Modulating Gas
(Fixed Air)



Option 2
Modulating Air
(Ratio Control)



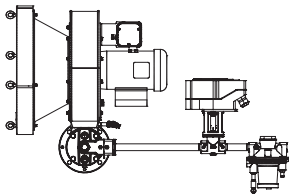
Option 3
High-Off
(Fixed Air)



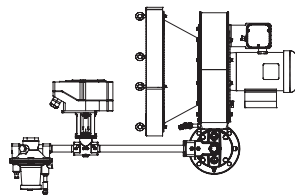
Option 4
High-Low
(Fixed Air)

Burner Configurations

Upright

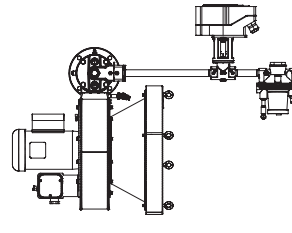


Right Hand Piping

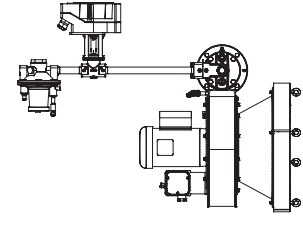


Left Hand Piping

Inverted



Right Hand Piping



Left Hand Piping

For More Information

The Honeywell Thermal Solutions family of products includes Honeywell Combustion Safety, Honeywell Combustion Service, Eclipse, EXOTHERMICS, HAUCK, Kromschroder and MAXON. To learn more about our products, visit ThermalSolutions.honeywell.com or contact your Honeywell Sales Engineer.

Honeywell Process Solutions

Honeywell Thermal Solutions (HTS)

Eclipse Inc.

1665 Elmwood Rd.

Rockford, IL 61103

United States

T +1 815 877 3031

www.ThermalSolutions.honeywell.com

© U.S. Registered Trademark
© 2018 Honeywell International Inc.
32-00052-01 M.S. Rev. 09-18
Printed in United States

Honeywell
ECLIPSE®