

Eclipse BoostPak

Uninterruptible Power Supply Option UPS

Data sheet Edition 06.18

Version 3

The BoostPak Uninterruptible Power Supply (UPS) option provides backup power in case of main power failure to keep the BoostPak operating for crucial applications. The system is designed for 6 minutes of backup power to the BoostPak at 100% load to allow time for the user's backup generator to come online. Longer times result with lower loads. The UPS option is available for single phase booster motors according to voltage and horsepower restrictions as listed in the table below.

Standard System Features

- Available as a standard Eclipse BoostPak option or as a retrofit kit
- UPS sized to handle motor starting current
- Can be used on BoostPaks with NEMA 7 option when UPS is remotely located in safe area

Selection and Ratings				
Kit p.n.	10056706	10015430	10056688	10056697
UPS p.n.	10056037	10024279	101024275	101024140
BoostPak Series	LS/LD 1010, 1515, 2020	LS/LD 1010, 1515, 2020	MS/MR/MD/ML 3314, 3412	MS/MR/MH/MD/ML/MX 3314, 3316, 3412
Maximum Motor HP	1/4	1/4	1/2	1/2 to 3/4
Power	2200 VA 1980 W	2000 VA 1600 W	6000 VA 5400 W	11000 VA 10000 W
Output Voltage	120	120	208/230	208/230
Maximum Temperature	104°F	165°F	104°F	104°F
Marking	UL, CSA, FCC	CE, _c CSA _{US}	CE, _c UL _{US} , NOM	CE, _c UL _{US} , NOM
Dimensions	21.7"h x 23.3"w x 22"d	24.8"h x 30.3"w x 16"d	17.3"h x 5.1"w x 28.4"d	17.3"h x 10.2"w x 30"d
Weight	150 lbs.	210 lbs.	106 lbs.	205 lbs.



Figure 1.1. Kit Type 10015430

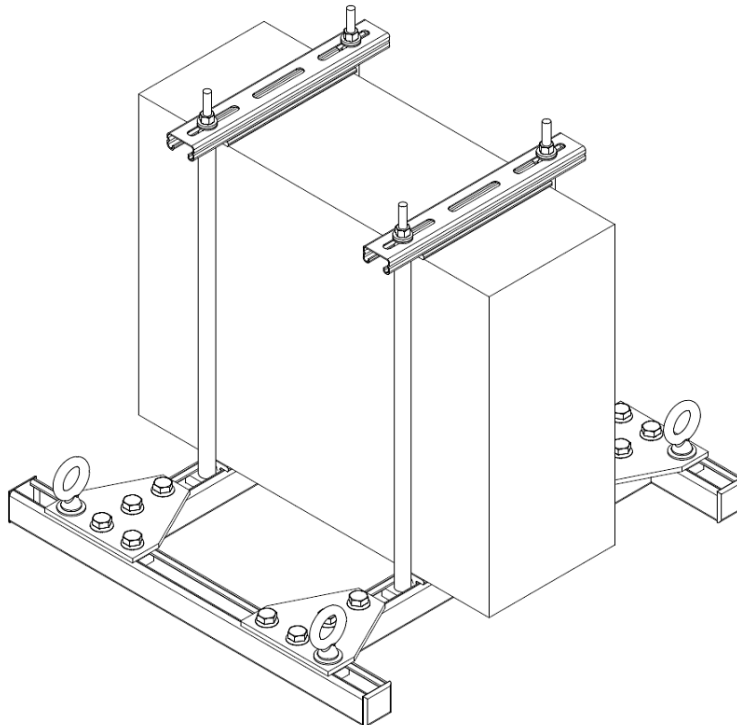


Figure 1.2. Kit Types 10056706, 10056688, 10056697