

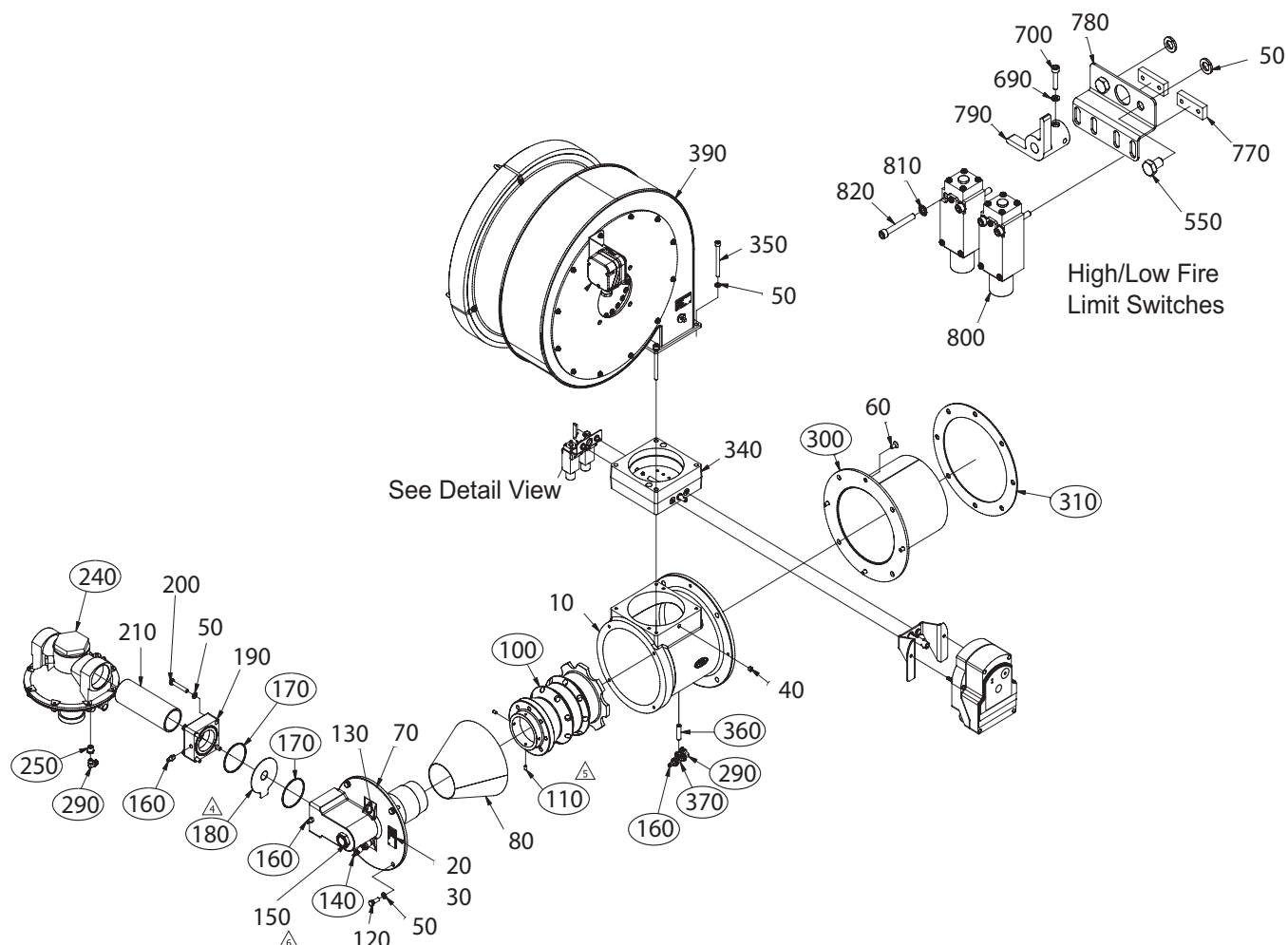
# Eclipse ImmersoPak Burners

Spare Parts List 360-6

8/29/2016

Model IP012

Version 3



Ref	Part Number	Description
100	7038-1	Nozzle (Cast Iron)
110	15885	Set Screw for Nozzle
140	23045	Igniter
160	13445	Pressure Tap
170	14778	O-Ring for Gas Block (71mm Diameter)
180	14188-41	Butane Orifice Plate (16.5mm)
180	14188-42	Natural Gas Orifice Plate (23.0mm)
180	14188-46	Propane Orifice Plate (17.5mm)

Ref	Part Number	Description
240	KS03155158	Ratio Regulator (Rp 2.0)
240	KS03155164	Ratio Regulator (2" NPT)
250	18501	Bushing for Ratio Regulator Impulse Line
290	14689	Elbow Fitting for Plastic Impulse Line
290	1494	Elbow Fitting for Braided Stainless Steel
300	101279-1	Alloy Combustor
310	10027	Burner Body to Wall Mounting Gasket

Ref	Part Number	Description
360	18684	Pipe Nipple for Ratio Regulator Impulse Line
370	19160	Threaded Tee for Impulse Line
N/S	20606	Grommet for Air Pressure Tap
N/S	20658	Fitting for Air Pressure Tap
N/S	21197	Elbow Fitting for Plastic Air Switch Line
N/S	14685	Fitting for Plastic Air Switch Line
N/S	24844	Fitting for Braided Air Switch Line
N/S	015991-02	Braided Stainless Steel Air Switch Line (600mm)
N/S	34505	Plastic Air Pressure Switch Line (600mm)
N/S	015991-03	Braided Stainless Steel Impulse Line (900mm)
N/S	34505	Plastic Impulse Line (900mm)