

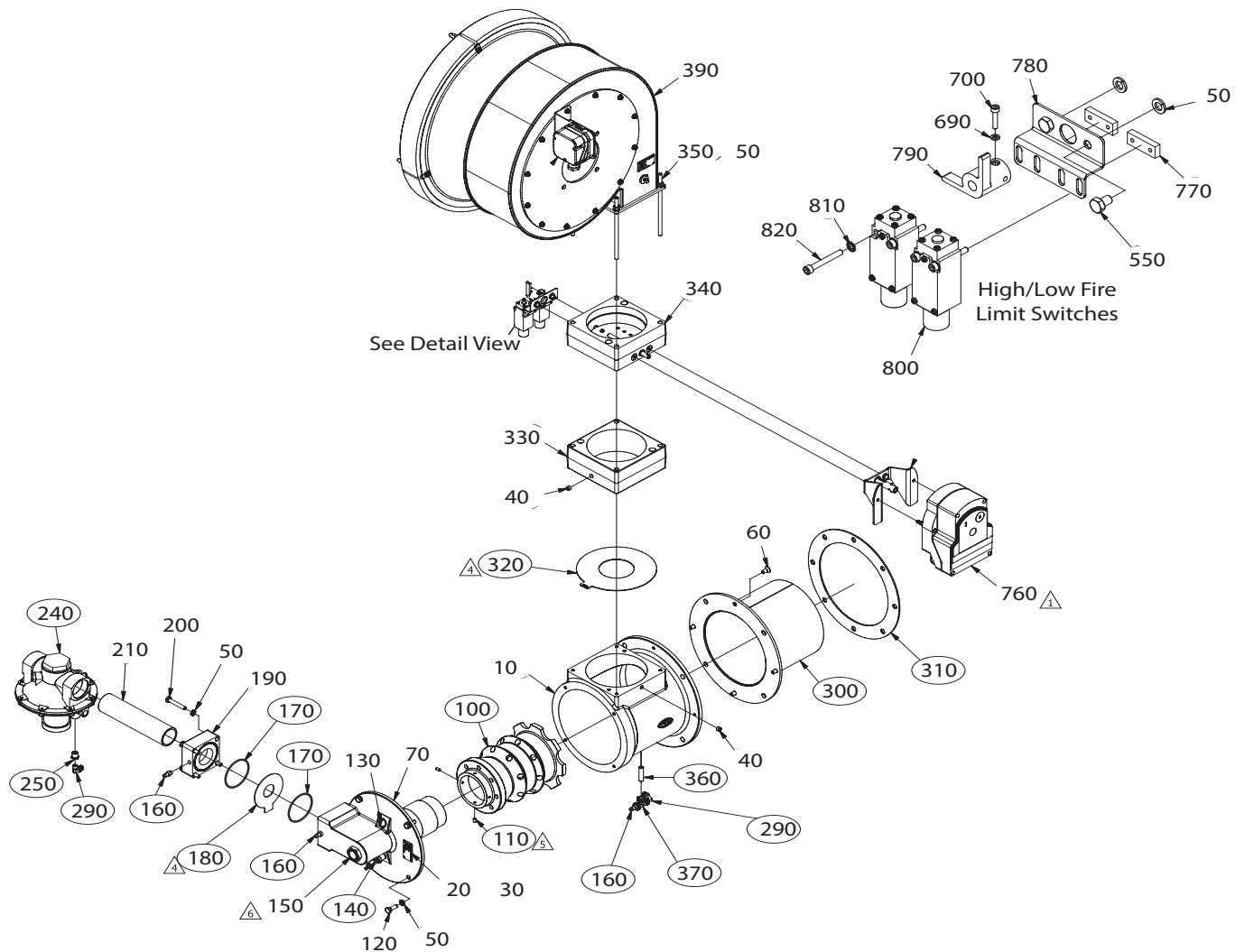
# Eclipse ImmersoPak Burners

Spare Parts List 360-4

8/29/2016

Model IP008

Version 4



Ref	Part Number	Description
100	7038-1	Nozzle (Cast Iron)
110	15885	Set Screw for Nozzle
140	23045	Igniter
160	13445	Pressure Tap
170	14778	O-Ring for Gas Block (71mm Diameter)
180	14188-19	Butane Orifice Plate (22.5mm)
180	14188-23	Propane Orifice Plate (25.0mm)
180	14188-52	Natural Gas Orifice Plate (33.0mm)
240	KS03155146	Ratio Regulator (Rp 1.5)

Ref	Part Number	Description
240	KS03155152	Ratio Regulator (1-1/2" NPT)
250	18501	Bushing for Ratio Regulator Impulse Line
290	14689	Elbow Fitting for Plastic Impulse Line
290	1494	Elbow Fitting for Braided Stainless Steel
300	101279-1	Alloy Combustor
310	10027	Burner Body to Wall Mounting Gasket
320	10039-5	Air Orifice Plate (80.0mm)

Ref	Part Number	Description
360	18684	Pipe Nipple for Ratio Regulator Impulse Line
370	19160	Threaded Tee for Impulse Line
N/S	20606	Grommet for Air Pressure Tap
N/S	20658	Fitting for Air Pressure Tap
N/S	21197	Elbow Fitting for Plastic Air Switch Line
N/S	14685	Fitting for Plastic Air Switch Line
N/S	24844	Fitting for Braided Air Switch Line
N/S	015991-02	Braided Stainless Steel Air Switch Line (600mm)
N/S	34505	Plastic Air Pressure Switch Line (600mm)
N/S	015991-03	Braided Stainless Steel Impulse Line (900mm)
N/S	34505	Plastic Impulse Line (900mm)