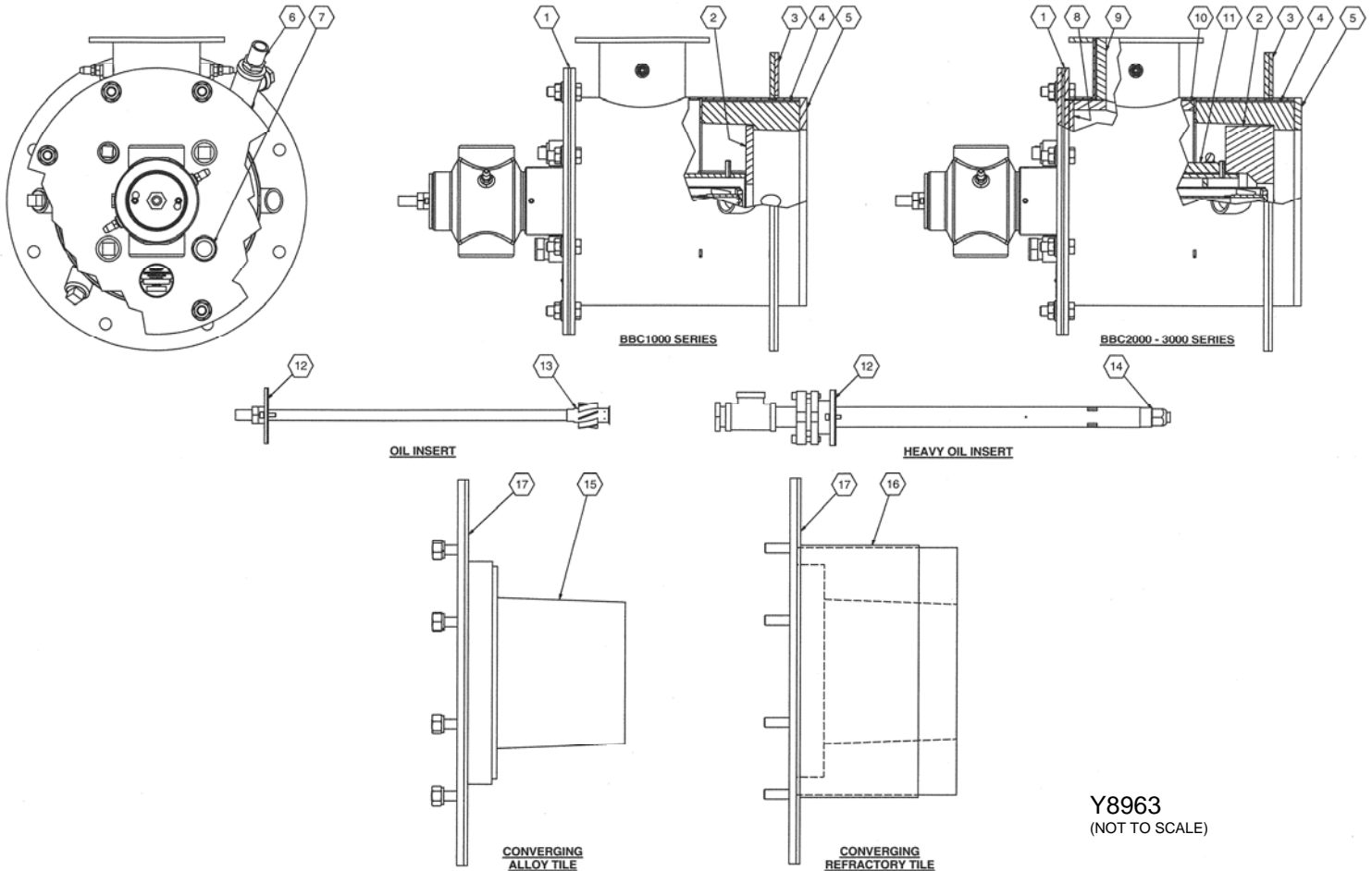




PARTS LIST

BETA BURNER COMBINATION SERIES BBC1104 – BBC3104



Y8963
(NOT TO SCALE)

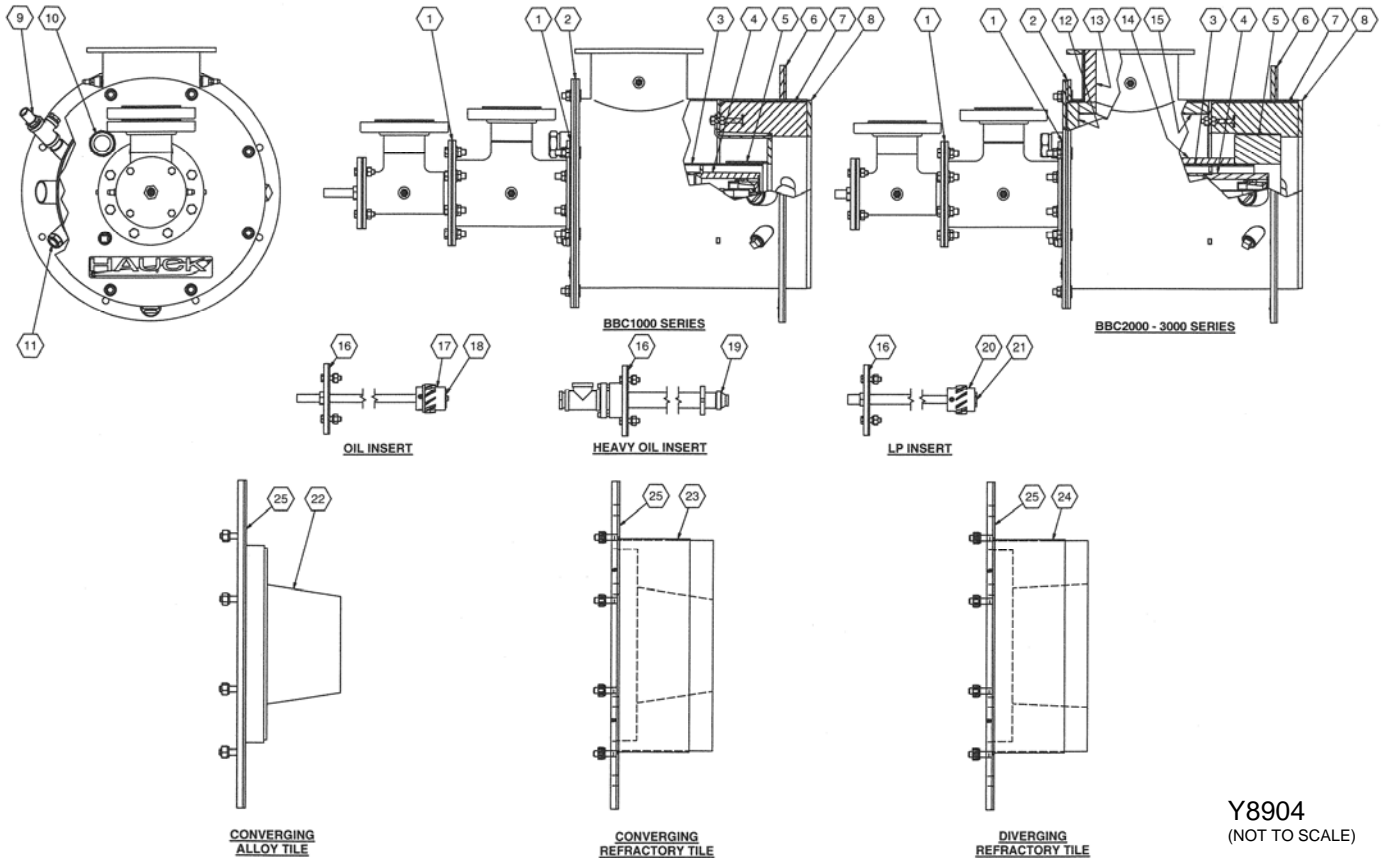
Key

No.	Description	1000 Series	2000 Series	3000 Series
1	Gasket, Burner Backplate	74034	74034	74034
2	Baffle	407123	74036	74036
3	Gasket, Burner Mounting	45267	45267	45267
4	Ring, Refractory	74047	74043	74043
5	Cushion, Tile	75788	75788	75788
6	Adapter, Scanner	53056x001-001	53056x001-001	53056x001-001
7	Backplate, Observation Port	12718	12718	12718
8	Insulation, Backplate	NA	NA	407127-B
9	Insulation, Inlet	NA	NA	407127-C
10	Insulation, Gas Tube	NA	NA	407127
11	Insulation, Body	NA	NA	407127-A
12	Gasket, Insert	6898	6898	6898
13	Nozzle Assembly, Oil	74020	74020	74020
14	Nozzle, Heavy Oil	NA	74858	74858
15	Tile Assembly, Alloy	74026-001	74026-001	74026-001
16	Tile Assembly, Refractory Converging	74026	74026	74026
17	Gasket, Tile Mounting	74029	74029	74029



PARTS LIST

BETA BURNER COMBINATION SERIES BBC1106 – BBC3106



Y8904
(NOT TO SCALE)

Key

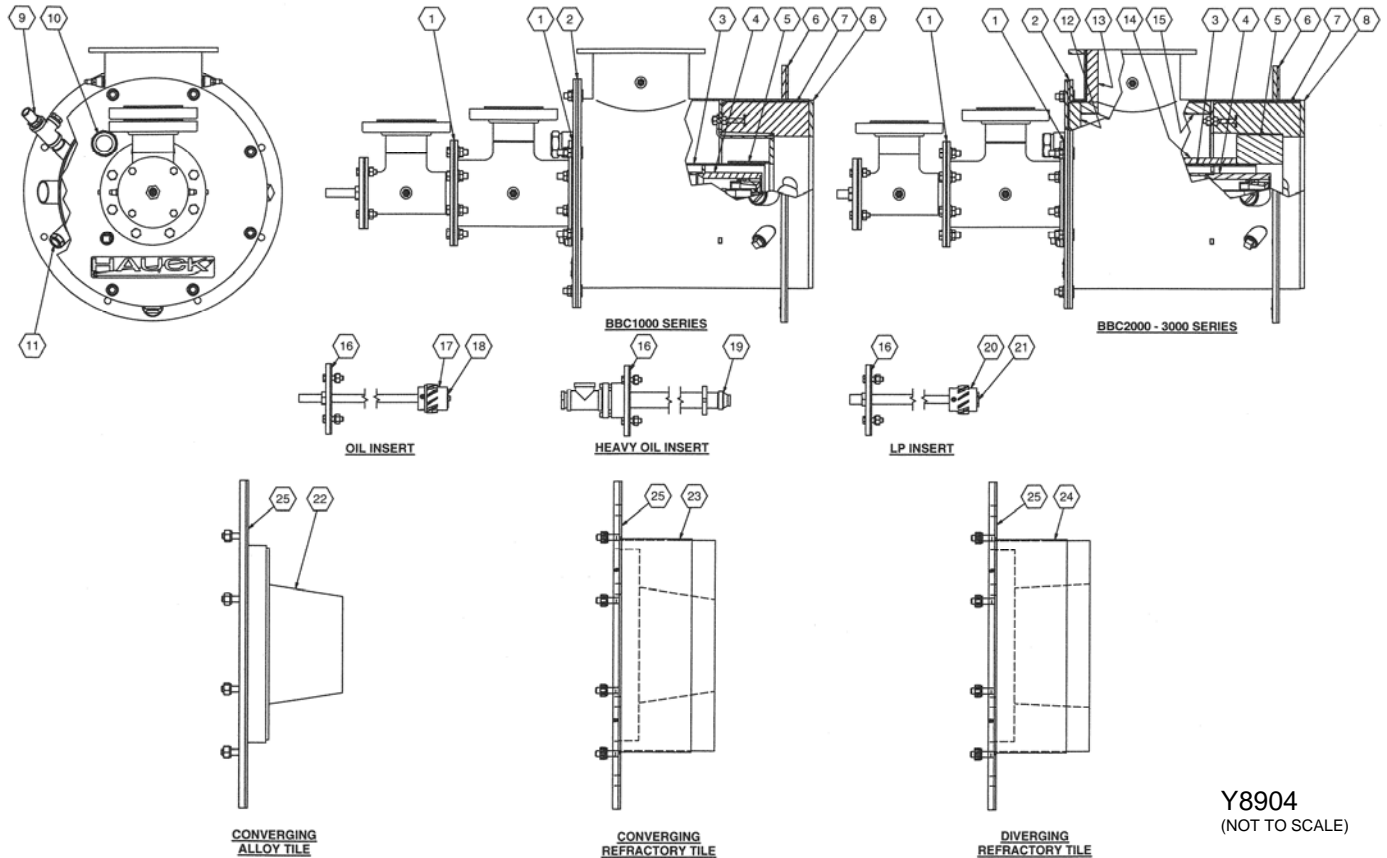
No.	Description	1000 Series	2000 Series	3000 Series
1	Gasket, Burner Tee	406865-D	406865-D	406865-D
2	Gasket, Burner Backplate	406861-M	406861-M	406861-M
3	Tube, Gas	406870	406870	406870
4	Tee Assembly, Air	407010	407012	407012
5	Baffle	407009	70253	70253
6	Gasket, Burner Mounting	57907	57907	57907
7	Ring, Refractory	406887	406880	406880
8	Cushion, Tile	48631	48631	48631
9	Adapter, Scanner	53056x001-001	53056x001-001	53056x001-001
10	Backplate, Observation Port	12268	12268	12268
11	Pilot, Observation Port	12718	12718	12718
12	Insulation, Backplate	NA	NA	406897-B
12	Insulation Heavy Oil, Backplate	NA	NA	406897-D
13	Insulation, Inlet	NA	NA	406898-A
14	Insulation, Gas Tube	NA	NA	406897-A
15	Insulation, Body	NA	NA	406898
16	Gasket, Insert	44307	44307	44307
17	Nozzle Assembly, Oil	48655	48655	48655
18	Deflector, Oil Nozzle	47351	47351	47351
19	Nozzle, Heavy Oil	NA	71357	71357
20	Nozzle Assembly, LP	NA	NA	NA

<u>Key No.</u>	<u>Description</u>	<u>1000 Series</u>	<u>2000 Series</u>	<u>3000 Series</u>
21	Nozzle, LP	NA	NA	NA
22	Tile Assembly, Alloy	74911-003	74911-003	NA
23	Tile Assembly, Refractory Converging	74911	74911	74911
24	Tile Assembly, Refractory Diverging	57910	57910	57910
25	Gasket, Tile Mounting	58623	58623	58623



PARTS LIST

BETA BURNER COMBINATION SERIES BBC1108 – BBC3108



Y8904
(NOT TO SCALE)

Key

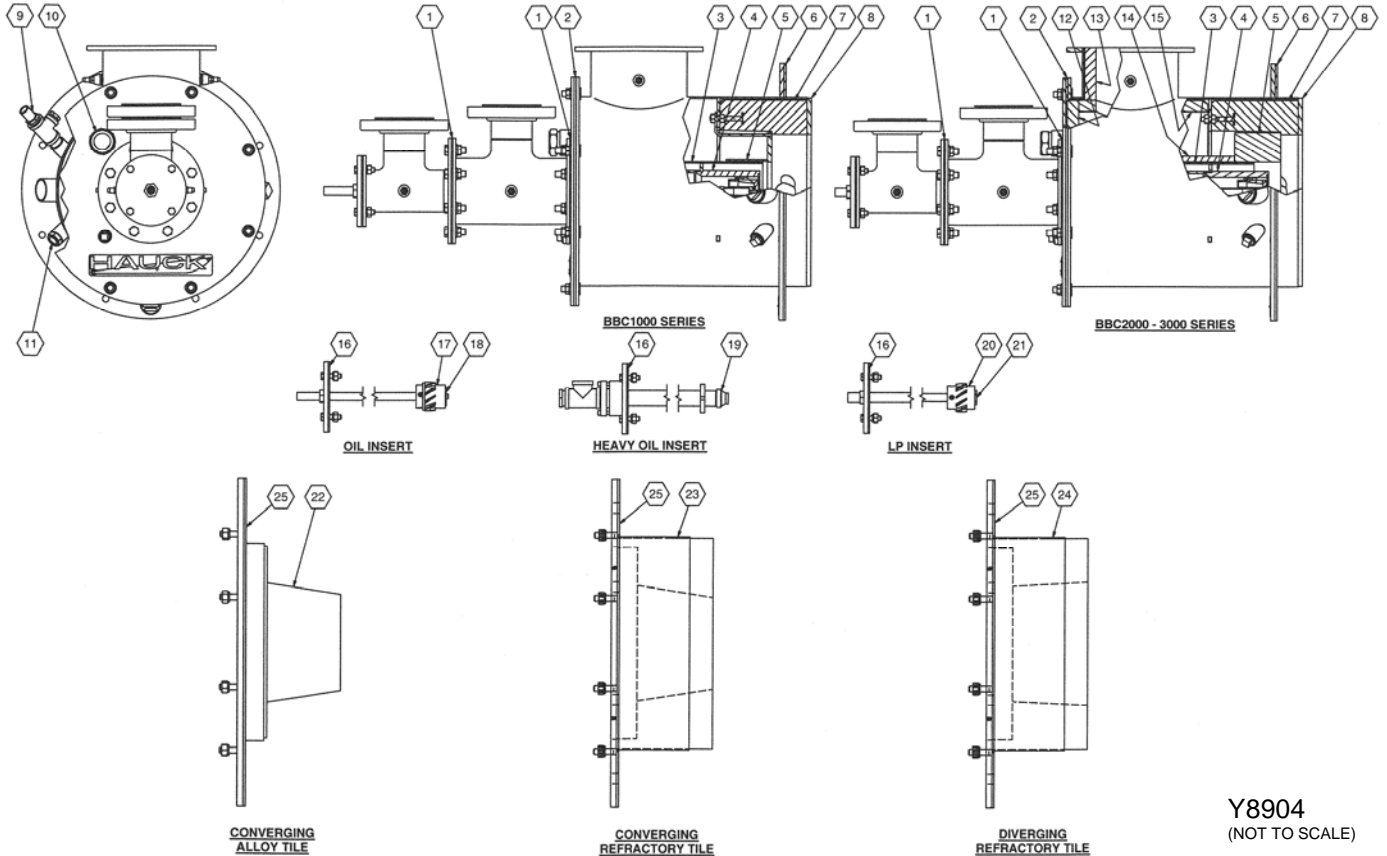
No.	Description	1000 Series	2000 Series	3000 Series
1	Gasket, Burner Tee	406865-D	406865-D	406865-D
2	Gasket, Burner Backplate	406861-M	406861-M	406861-M
3	Tube, Gas	406870	406870	406870
4	Tee Assembly, Air	407010	407012	407012
5	Baffle	407014	70286	70286
6	Gasket, Burner Mounting	57907	57907	57907
7	Ring, Refractory	406887	406880	406880
8	Cushion, Tile	48631	48631	48631
9	Adapter, Scanner	53056x001-001	53056x001-001	53056x001-001
10	Backplate, Observation Port	12268	12268	12268
11	Pilot, Observation Port	12718	12718	12718
12	Insulation, Backplate	NA	NA	406897-B
12	Insulation Heavy Oil, Backplate	NA	NA	406897-D
13	Insulation, Inlet	NA	NA	406897-C
14	Insulation, Gas Tube	NA	NA	406897-A
15	Insulation, Body	NA	NA	406897
16	Gasket, Insert	44307	44307	44307
17	Nozzle Assembly, Oil	48655	48655	48655
18	Deflector, Oil Nozzle	47351	47351	47351
19	Nozzle, Heavy Oil	NA	71534	71534
20	Nozzle Assembly, LP	54523	54523	54523

<u>Key No.</u>	<u>Description</u>	<u>1000 Series</u>	<u>2000 Series</u>	<u>3000 Series</u>
21	Nozzle, LP	54522x001	54522x001	54522x001
22	Tile Assembly, Alloy	74911-003	74911-003	NA
23	Tile Assembly, Refractory Converging	74911	74911	74911
24	Tile Assembly, Refractory Diverging	57910	57910	57910
25	Gasket, Tile Mounting	58623	58623	58623



PARTS LIST

BETA BURNER COMBINATION SERIES BBC1110 – BBC3110



Y8904
(NOT TO SCALE)

Key

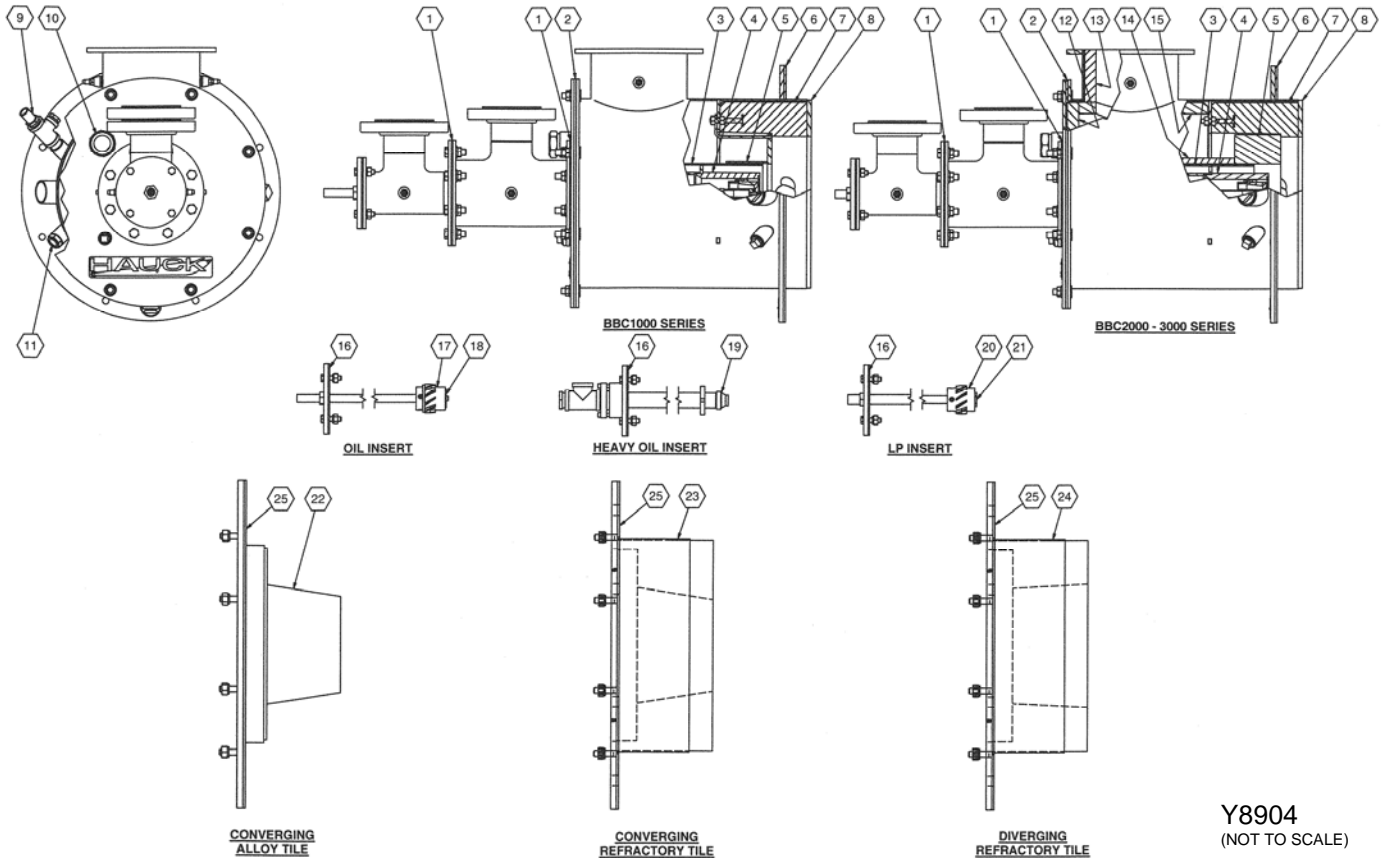
No.	Description	1000 Series	2000 Series	3000 Series
1	Gasket, Burner Tee	406865-D	406865-D	406865-D
2	Gasket, Burner Backplate	406900-K	406900-K	406900-K
3	Tube, Gas	406870	406902	406902
4	Tee Assembly, Air	407018	407020	407020
5	Baffle	407017	407019	407019
6	Gasket, Burner Mounting	57928	57928	57928
7	Ring, Refractory	406901	406904	406904
8	Cushion, Tile	48992	48992	48992
9	Adapter, Scanner	53056x001-001	53056x001-001	53056x001-001
10	Backplate, Observation Port	12268	12268	12268
11	Pilot, Observation Port	12268	12268	12268
12	Insulation, Backplate	NA	NA	406905-A
12	Insulation Heavy Oil, Backplate	NA	NA	406905-D
13	Insulation, Inlet	NA	NA	406905-B
14	Insulation, Gas Tube	NA	NA	406905-C
15	Insulation, Body	NA	NA	406905
16	Gasket, Insert	44307	44307	44307
17	Nozzle Assembly, Oil	48655	48655	48655
18	Deflector, Oil Nozzle	47351	47351	47351
19	Nozzle, Heavy Oil	NA	74886	74886
20	Nozzle Assembly, LP	54523	54523	54523

<u>Key No.</u>	<u>Description</u>	<u>1000 Series</u>	<u>2000 Series</u>	<u>3000 Series</u>
21	Nozzle, LP	54522X001	54522X001	54522X001
22	Tile Assembly, Alloy	74912-002	74912-002	NA
23	Tile Assembly, Refractory Converging	74912	74912	74912
24	Tile Assembly, Refractory Diverging	57931	57931	57931
25	Gasket, Tile Mounting	58624	58624	58624



PARTS LIST

BETA BURNER COMBINATION SERIES BBC1112 – BBC3112



Key

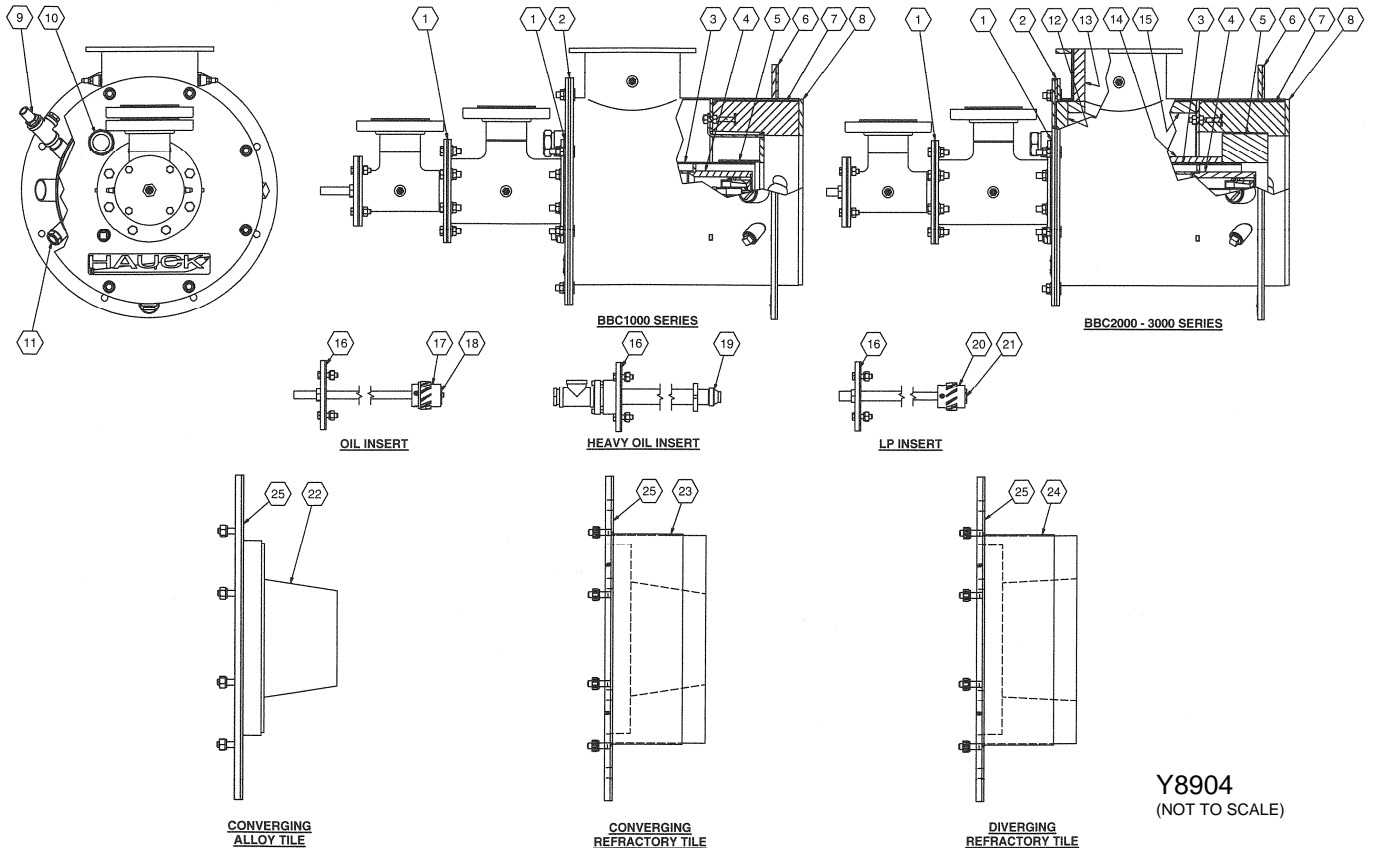
No.	Description	1000 Series	2000 Series	3000 Series
1	Gasket, Burner Tee	406917-B	406917-B	406917-B
2	Gasket, Burner Backplate	406908-K	406908-K	406908-K
3	Tube, Gas	406918	407000	407000
4	Tee Assembly, Air	407025	407029	407029
5	Baffle	407024	71382	71382
6	Gasket, Burner Mounting	57942	57942	57942
7	Ring, Refractory	406999	406895	406895
8	Cushion, Tile	49604	49604	49604
9	Adapter, Scanner	53056x001-001	53056x001-001	53056x001-001
10	Backplate, Observation Port	12268	12268	12268
11	Pilot, Observation Port	12268	12268	12268
12	Insulation, Backplate	NA	NA	407001-B
12	Insulation Heavy Oil, Backplate	NA	NA	407001-D
13	Insulation, Inlet	NA	NA	407001-A
14	Insulation, Gas Tube	NA	NA	407001-C
15	Insulation, Body	NA	NA	407001
16	Gasket, Insert	44741	44741	44741
17	Nozzle Assembly, Oil	49607	49607	49607
18	Deflector, Oil Nozzle	57834	57834	57834
19	Nozzle, Heavy Oil	NA	73944	73944
20	Nozzle Assembly, LP	54098	54098	54098

<u>No.</u>	<u>Description</u>	<u>1000 Series</u>	<u>2000 Series</u>	<u>3000 Series</u>
21	Nozzle, LP	54102X006	54102X006	54102X006
22	Tile Assembly, Alloy	74913-002	74913-002	NA
23	Tile Assembly, Refractory Converging	74913	74913	74913
24	Tile Assembly, Refractory Diverging	57945	57945	57945
25	Gasket, Tile Mounting	58625	58625	58625



PARTS LIST

BETA BURNER COMBINATION SERIES BBC1114 – BBC3114



Y8904
(NOT TO SCALE)

Key

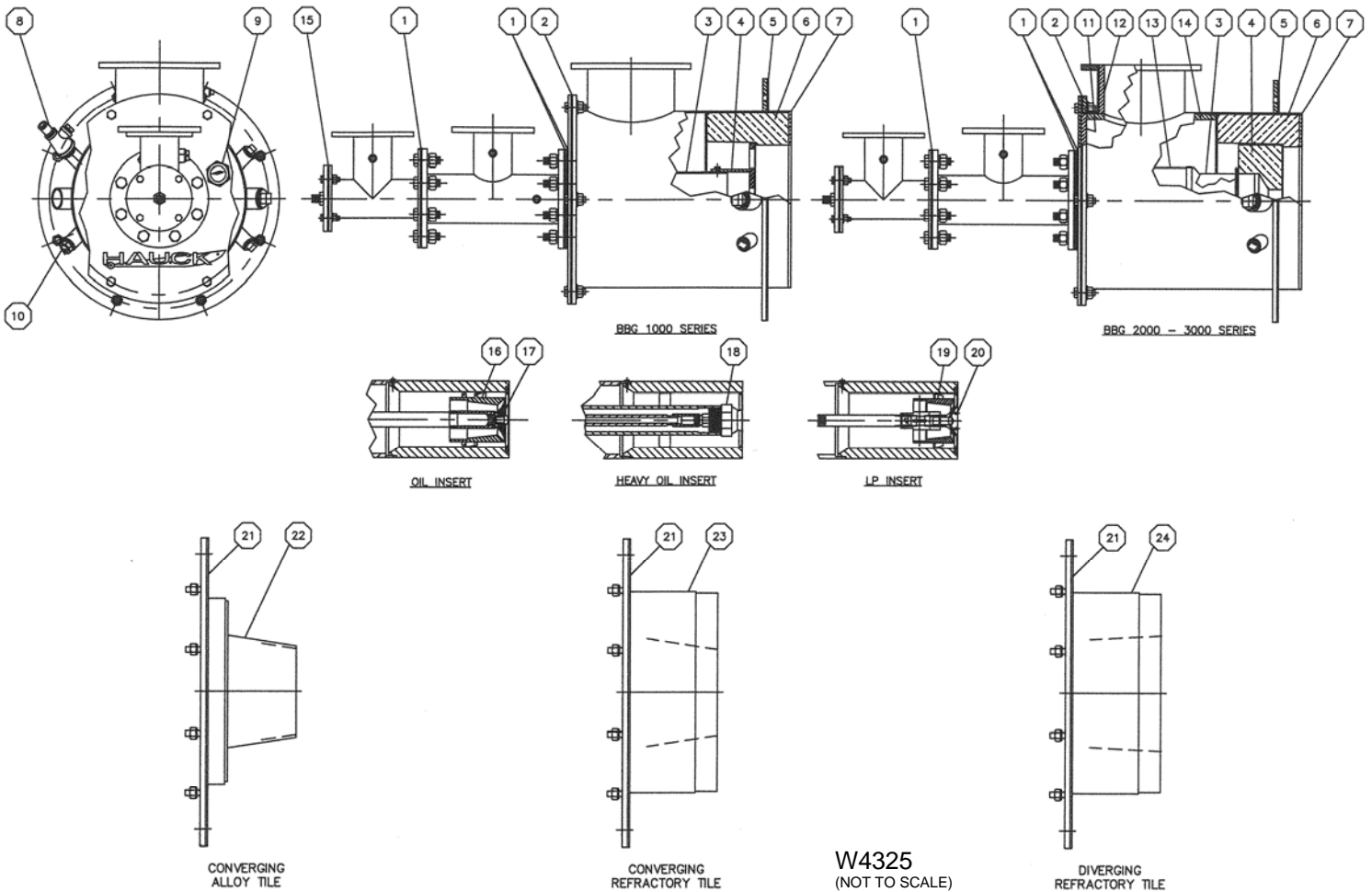
No.	Description	1000 Series	2000 Series	3000 Series
1	Gasket, Burner Tee	406917-B	406917-B	406917-B
2	Gasket, Burner Backplate	407103-K	407103-K	407103-K
3	Tube, Gas	407107	407107	407107
4	Tee Assembly, Air	407110	407113	407113
5	Baffle	407109	71492	71492
6	Gasket, Burner Mounting	57956	57956	57956
7	Ring, Refractory	407104	407108	407108
8	Cushion, Tile	48468	48468	48468
9	Adapter, Scanner	53056x001-001	53056x001-001	53056x001-001
10	Backplate, Observation Port	12268	12268	12268
11	Pilot, Observation Port	12268	12268	12268
12	Insulation, Backplate	NA	NA	407116-B
12	Insulation Heavy Oil, Backplate	NA	NA	407116-D
13	Insulation, Inlet	NA	NA	407116-A
14	Insulation, Gas Tube	NA	NA	407116-C
15	Insulation, Body	NA	NA	407116
16	Gasket, Insert	44511	44511	44511
17	Nozzle Assembly, Oil	48739	48739	48739
18	Deflector, Oil Nozzle	52059	52059	52059
19	Nozzle, Heavy Oil	NA	73944	73944
20	Nozzle Assembly, LP	54842	54842	54842

<u>No.</u>	<u>Description</u>	<u>1000 Series</u>	<u>2000 Series</u>	<u>3000 Series</u>
21	Nozzle, LP	54537X009	54537X009	54537X009
22	Tile Assembly, Alloy	74914-001	74914-001	74914-001
23	Tile Assembly, Refractory Converging	74914	74914	74914
24	Tile Assembly, Refractory Diverging	57959	57959	57959
25	Gasket, Tile Mounting	58626	58626	58626



PARTS LIST

BETA BURNER COMBINATION SERIES 1000 – 3000 SERIES (18")



Key

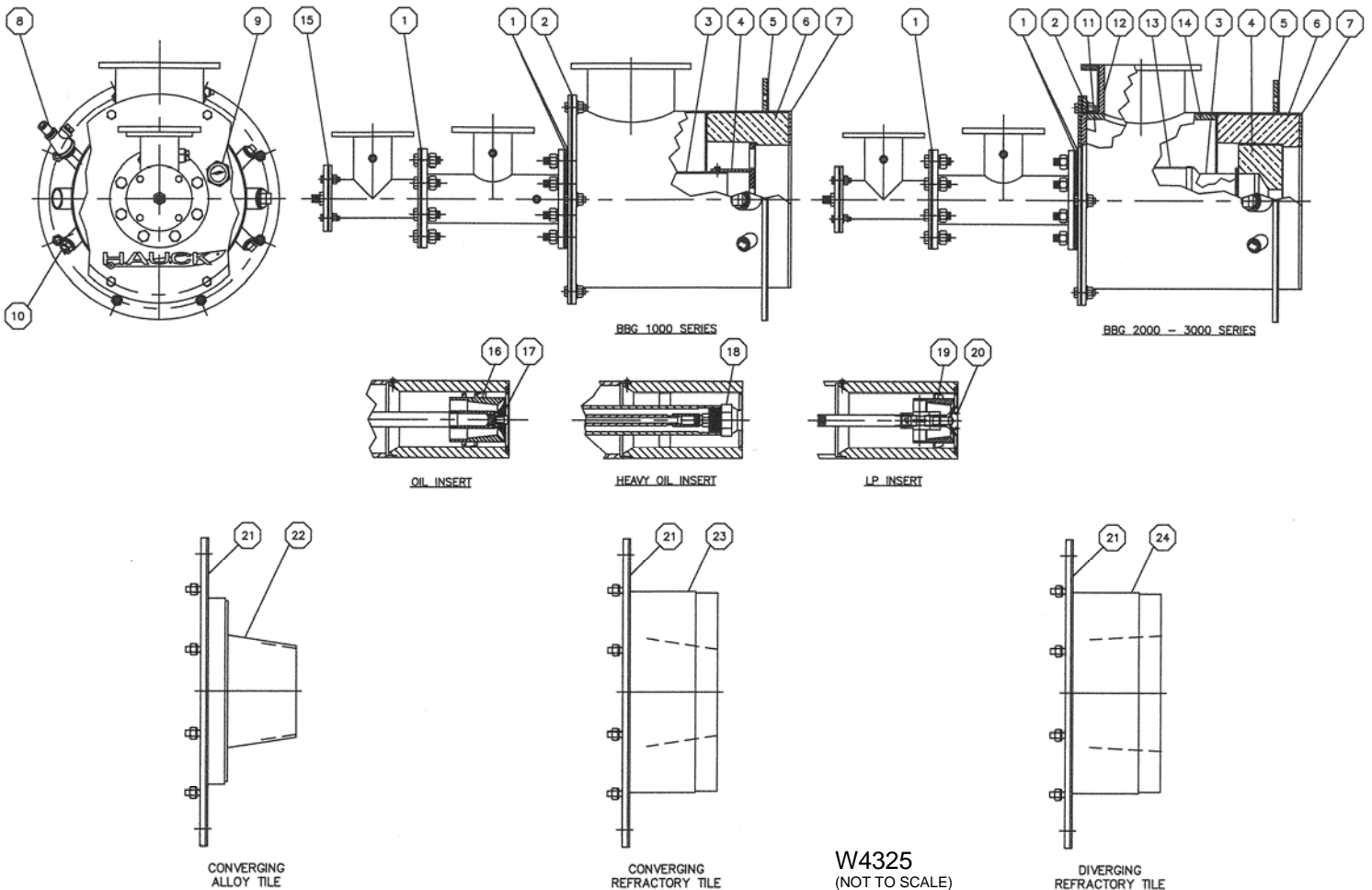
<u>No.</u>	<u>Description</u>	<u>1000 Series</u>	<u>2000 Series</u>	<u>3000 Series</u>
1	Gasket, Burner Tee	52994	52994	52994
2	Gasket, Burner Backplate	57970	57970	57970
3	Gas Tube	52878x001	71552x001	71552x001
4	Baffle Assembly	52890	71554	71554
5	Gasket, Burner Mounting	57971	57971	57971
6	Ring, Refractory	71566	71551	71551
7	Cushion, Tile	48734	48734	48734
8	Adapter, Scanner	53056x001	53056x001	53056x001
9	Observation Port, Backplate	12268	12268	12268
10	Observation Port, Pilot	12268	12268	12268
11	Insulation, Backplate	N/A	N/A	52882
12	Insulation, Body	N/A	N/A	52885
13	Insulation, Inlet	N/A	N/A	52883
14	Insulation, Gas Tube	N/A	N/A	52884

<u>No.</u>	<u>Description</u>	<u>1000 Series</u>	<u>2000 Series</u>	<u>3000 Series</u>
15	Gasket, Insert	44511	44511	44511
16	Nozzle Assembly, Oil	48739	48739	48739
17	Deflector, Oil Nozzle	52059	52059	52059
18	Nozzle, Heavy Oil	N/A	75723	75723
19	Nozzle Assembly, LP	54872	54872	54872
20	Nozzle, LP	54537x012	54537x012	54537x012
21	Tile Assembly, Converging Alloy	75185-003	75185-003	N/A
22	Tile Assembly, Converging Refractory	75185	75185	75185
23	Tile Assembly, Diverging Refractory	57974	57974	57974
24	Gasket, Tile Mounting	58143	58143	58143



PARTS LIST

BETA BURNER COMBINATION SERIES 1000 – 3000 SERIES (20")

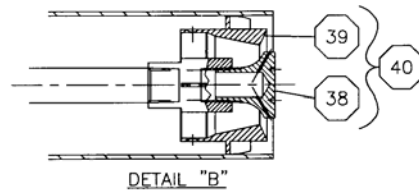
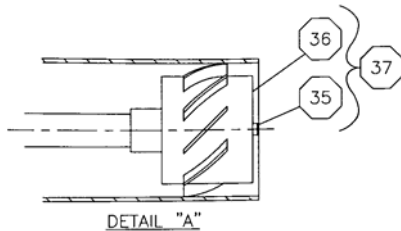
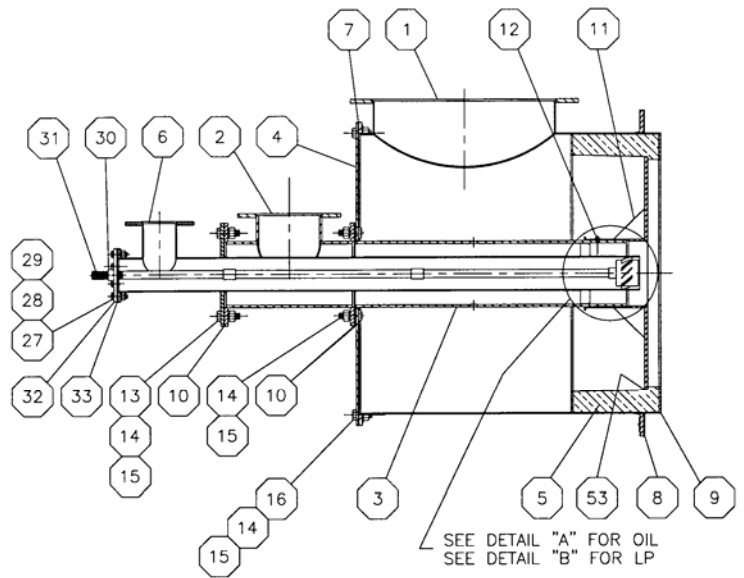
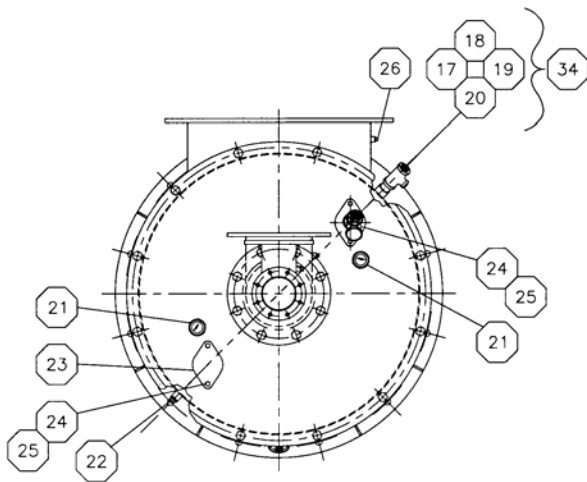


Key
No.

No.	Description	1000 Series	2000 Series	3000 Series
1	Gasket, Burner Tee	37242	37242	37242
2	Gasket, Burner Backplate	407070-K	407070-K	407070-K
3	Gas Tube	407073	407280	407280
4	Baffle Assembly	407072	407279	407279
5	Gasket, Burner Mounting	407070-L	407070-L	407070-L
6	Ring, Refractory	407071	407283	407283
7	Cushion, Tile	48734	48734	48734
8	Adapter, Scanner	53056x001	53056x001	53056x001
9	Observation Port, Backplate	12268	12268	12268
10	Observation Port, Pilot	12268	12268	12268
11	Insulation, Backplate	N/A	N/A	407287-B
	Insulation Backplate, Heavy Oil			407287-D
12	Insulation, Inlet	N/A	N/A	407287-A
13	Insulation, Gas Tube	N/A	N/A	407287-C
14	Insulation, Body	N/A	N/A	407287
15	Gasket, Insert	44511	44511	44511
16	Nozzle Assembly, Oil	48739	48739	48739

<u>Key No.</u>	<u>Description</u>	<u>1000 Series</u>	<u>2000 Series</u>	<u>3000 Series</u>
17	Deflector, Oil Nozzle	52059	52059	52059
18	Nozzle, Heavy Oil	N/A	PENDING	PENDING
19	Nozzle Assembly, LP	PENDING	PENDING	PENDING
20	Nozzle, LP	PENDING	PENDING	PENDING
21	Tile Assembly, Converging Alloy	407077	407077	N/A
22	Tile Assembly, Converging Refractory	407077-001	407077-001	407077-001
23	Tile Assembly, Diverging Refractory	PENDING	PENDING	PENDING
24	Gasket, Tile Mounting	407077-F	407077-F	407077-F

BETA BURNER COMBINATION SERIES BBC1124



Y5765
(NOT TO SCALE)

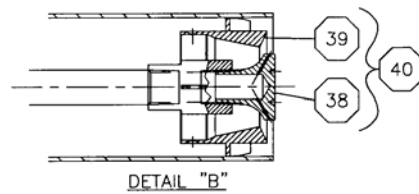
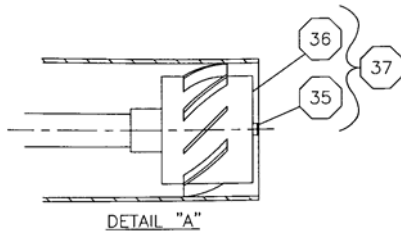
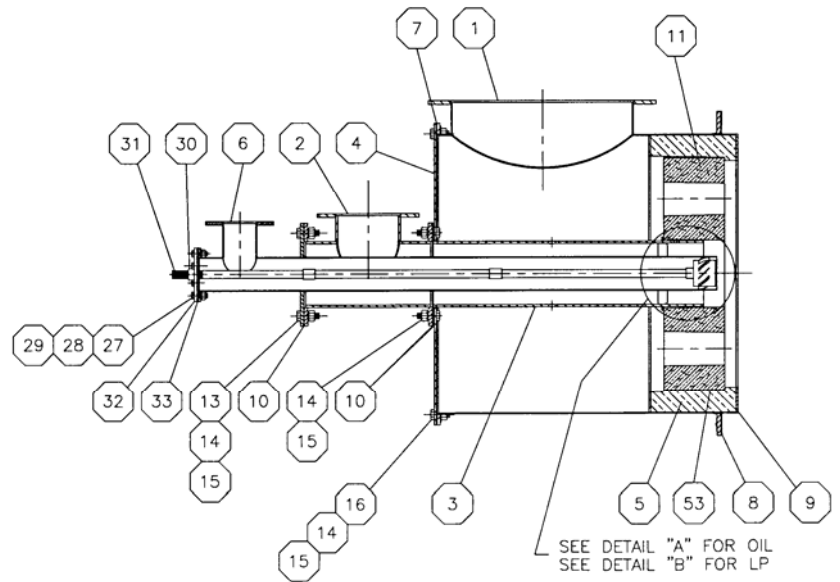
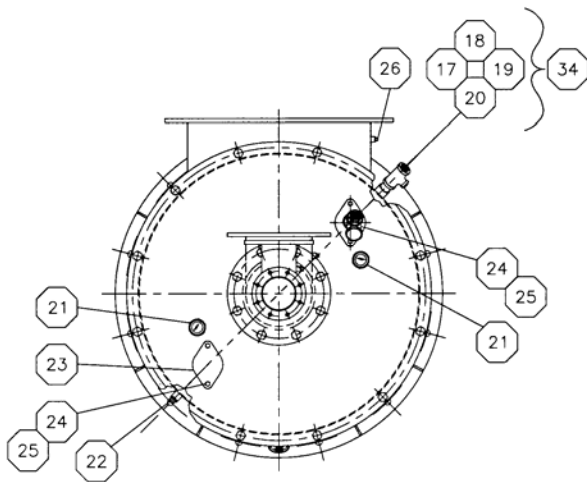
Key	Description	BBC1124C
1	Body Assembly, Secondary Air	58051
2	Tee Assembly, Gas	58057
3	Tube Assembly, Gas	58081
4	Backplate Assembly, Secondary Air Body	58067
5	Ring, Refractory	58059
6	Body Assembly, Primary Air	58060
7	Gasket, Secondary Air Body	58070
8	Gasket, Burner Mounting	58071
9	Gasket, Tile Cushion	58072
10	Gasket, Gas Tube	401313

Key		
<u>No.</u>	<u>Description</u>	<u>BBC1124C</u>
11	Baffle Assembly, STSTL Combination	58061
12	Screw, Hex Hd Cap 3/8-16 x 1/2" Lg.	7332x004
13	Screw, Hex Hd Cap 3/4-10 x 2-1/2" Lg.	7256x020
14	Nut, Hex Heavy 3/4-10	7027
15	Washer, 3/4" Lock	7211
16	Screw, Hex Hd Cap 3/4-10 x 2" Lg.	7199x016
17	Bushing, 1/2 x 1/8 NPT	1675
18	Bushing, 1 x 1/2 NPT	341
19	Nipple, 1 NPT x 2" Lg.	448
20	Tee, 1 x 1 x 1/2 NPT	1483
21	Observation Port, 1-1/2	12268
22	Plug, 1 NPT Pipe	7050
23	Plate, Pilot Blanking	58144
24	Screw, Hex Hd Cap 3/8-16	7236x016
25	Washer, 3/8" Lock	7246
26	Plug, 1 NPT Pipe	7050
27	Screw, Hex Hd Cap 1/2-13 x 2" Lg.	7239x016
28	Washer, 1/2" Lock	7106
29	Nut, Hex Heavy 1/2-13	7026
30	Locknut, 3/4" NPS	6496
31	Tube, Inlet	
	Oil	48917
	LP	54581
32	Backplate, Oil Tube	48740
33	Gasket, Oil Tube Backplate	44511
34	Adapter Assembly, Scanner W/Air Purge (For Replacement Only)	59617
	Note: #17 through #20 are part of #34	
35	Screw, Shoulder 1/4 Diameter	7338x003
36	Body, Primary Air-Oil	48738
37	Nozzle Assembly, Primary Air-Oil	48739
	Note: #35 and #36 are part of #37	
38	Nozzle, LP	54537x004
39	Nozzle Assembly, LP	54872
40	Insert Assembly, Primary Air-LP	58063x001
	Note: #38 and #39 are part of #40	
53	Cement, Fiberfrax QF 150 or Equivalent	49046



PARTS LIST

BETA BURNER COMBINATION SERIES BBC2124



Y5765
(NOT TO SCALE)

Key

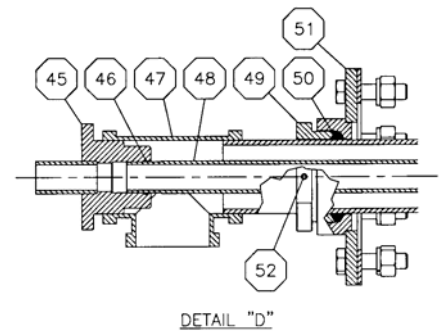
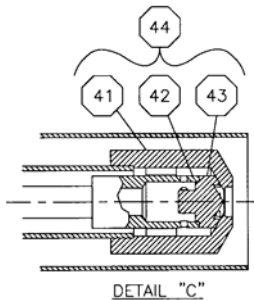
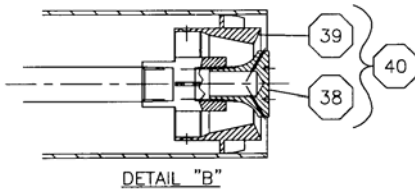
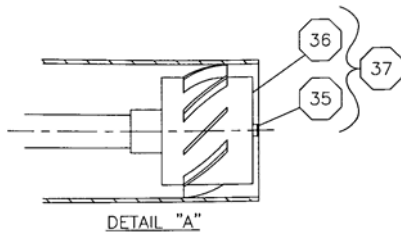
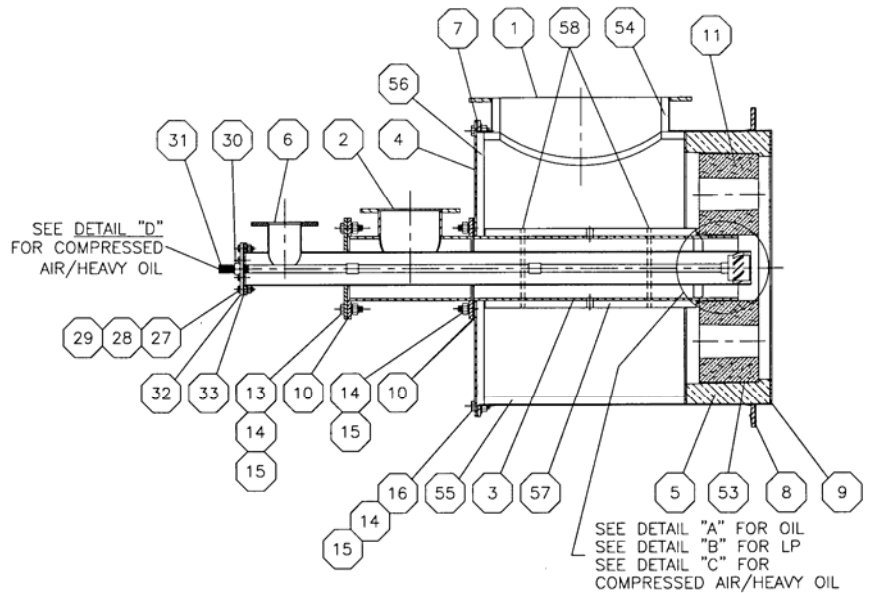
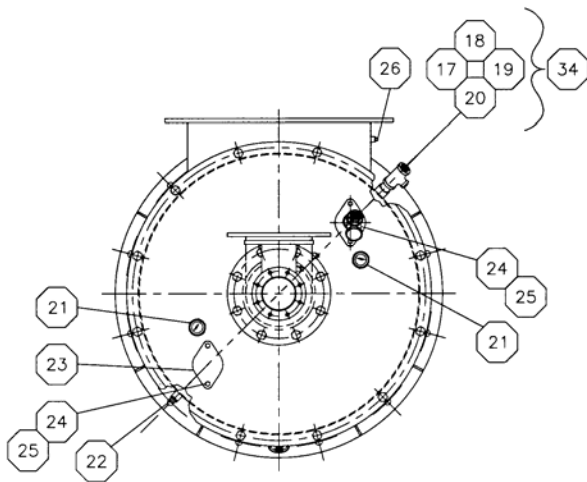
No.	Description	BBC2124C
1	Body Assembly, Secondary Air	58051
2	Tee Assembly, Gas	58057
3	Tube Assembly, Gas	58081
4	Backplate Assembly, Secondary Air Body	58067
5	Ring, Refractory	58059
6	Body Assembly, Primary Air	58060
7	Gasket, Secondary Air Body	58070
8	Gasket, Burner Mounting	58071
9	Gasket, Tile Cushion	58072
10	Gasket, Gas Tube	401313

Key		
<u>No.</u>	<u>Description</u>	<u>BBC2124C</u>
11	Baffle, Refractory	58053
13	Screw, Hex Hd Cap 3/4-10 x 2-1/2" Lg.	7256x020
14	Nut, Hex Heavy 3/4-10	7027
15	Washer, 3/4" Lock	7211
16	Screw, Hex Hd Cap 3/4-10 x 2" Lg.	7199x016
17	Bushing, 1/2 x 1/8 NPT	1675
18	Bushing, 1 x 1/2 NPT	341
19	Nipple, 1 NPT x 2" Lg.	448
20	Tee, 1 x 1 x 1/2 NPT	1483
21	Observation Port, 1-1/2	12268
22	Plug, 1 NPT Pipe	7050
23	Plate, Pilot Blanking	58144
24	Screw, Hex Hd Cap 3/8-16	7236x016
25	Washer, 3/8" Lock	7246
26	Plug, 1 NPT Pipe	7050
27	Screw, Hex Hd Cap 1/2-13 x 2" Lg.	7239x016
28	Washer, 1/2" Lock	7106
29	Nut, Hex Heavy 1/2-13	7026
30	Locknut, 3/4" NPS	6496
31	Tube, Inlet	
	Oil	48917
	LP	54581
32	Backplate, Oil Tube	48740
33	Gasket, Oil Tube Backplate	44511
34	Adapter Assembly, Scanner W/Air Purge (For Replacement Only)	59617
	Note: #17 through #20 are part of #34	
35	Screw, Shoulder 1/4 Diameter	7338x003
36	Body, Primary Air-Oil	48738
37	Nozzle Assembly, Primary Air-Oil	48739
	Note: #35 and #36 are part of #37	
38	Nozzle, LP	54537x004
39	Nozzle Assembly, LP	54872
40	Insert Assembly, Primary Air-Oil	58063x001
	Note: #38 and #39 are part of #40	
53	Cement, Fiberfrax QF 150 or Equivalent	49046



PARTS LIST

BETA BURNER COMBINATION SERIES BBC3124



Y5765
(NOT TO SCALE)

Key No.	Description	BBC3124C
1	Burner Assembly, Combination Beta Oil LP	58048x002 58048x001
2	Tee Assembly, Gas	58057
3	Tube Assembly, Gas	58081
4	Backplate Assembly, Secondary Air Body	58067
5	Ring, Refractory	58059
6	Body Assembly, Primary Air	58060
7	Gasket, Secondary Air Body	58070
8	Gasket, Burner Mounting	58071
9	Gasket, Tile Cushion	58072
10	Gasket, Gas Tube	401313

<u>No.</u>	<u>Description</u>	<u>BBC3124C</u>
11	Baffle, Refractory	58053
13	Screw, Hex Hd Cap 3/4-10 x 2-1/2" Lg.	7256x020
14	Nut, Hex Heavy 3/4-10	7027
15	Washer, 3/4" Lock	7211
16	Screw, Hex Hd Cap 3/4-10 x 2" Lg.	7199x016
17	Bushing, 1/2 x 1/8 NPT	1675
18	Bushing 1 x 1/2 NPT	341
19	Nipple, 1 NPT x 2" Lg.	448
20	Tee, 1 x 1-1/2 NPT	1483
21	Observation Port, 1-1/2	12268
22	Plug, 1 NPT Pipe	7050
23	Plate, Pilot Blanking	58144
24	Screw, Hex Hd Cap 3/8-16	7236x016
25	Washer, 3/8" Lock	7246
26	Plug, Pipe 1 NPT	7050
27	Screw, Hex Hd Cap 1/2-13 x 2" Lg.	7239x016
28	Washer, 1/2" Lock	7106
29	Nut, Hex Heavy 1/2-13	7026
30	Locknut, 3/4" NPS	6496
31	Tube, Inlet	
	Oil	48917
	LP	54581
32	Backplate, Oil Tube	48740
33	Gasket, Oil Tube Backplate	44511
34	Adapter Assembly, Scanner W/Air Purge (For Replacement Only)	59617
	Note: #17 through #20 are part of #34	
35	Screw, Shoulder 1/4 Diameter	7338x003
36	Body, Primary Air-Oil	48738
37	Nozzle Assembly, Air Oil	48739
	Note: #35 and #36 are part of #37	
38	Nozzle, LP	54536x004
39	Nozzle Assembly, LP	54872
40	Insert Assembly, Primary Air-LP	58063x001
	Note: #38 and #39 are part of #40	
41	Sleeve, Oil Nozzle	403271
42	Diverter, Oil/Air	75577
43	Tip, Diverter Nozzle	403272
44	Nozzle Assembly, Compressed Air	403270
	Note: #41 through #43 are part of #44	
45	Bushing, Oil Tube	75628
46	Packing, O-Ring	7324x022
47	Tee, 2" NPT	467
48	Tube, Oil Inlet	75627
49	Gland, Gas Tube Seal	401852
50	Packing, Graphite 1/8 Dia. 30" Lg.	20934
51	Backplate, Air/Oil	403273
52	Screw, Cup Pt Set 1/4-20 x 3/8	6955x003
53	Cement, Fiberfrax QF 150 or Equivalent	49046
54	Insulation Insert, Secondary Air Inlet	58136
55	Insulation Insert, Secondary Air Body	58135
56	Insulation Insert, Backplate	58133
57	Insulation Insert, Gas Tube	58134
58	Clamp Assembly	35144x010