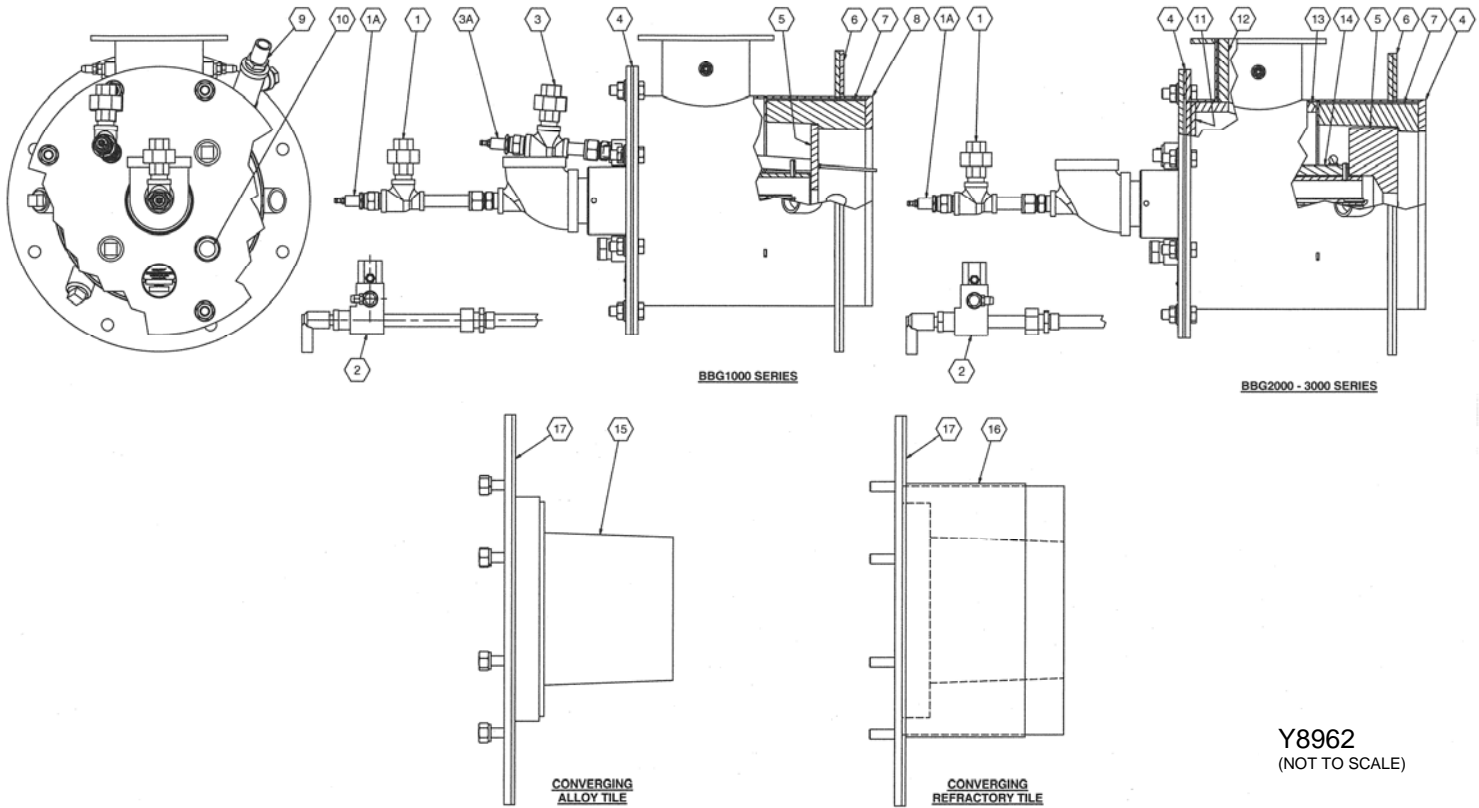




PARTS LIST

BETA BURNER & TILE GAS SERIES 1000 – 3000 SERIES (4")



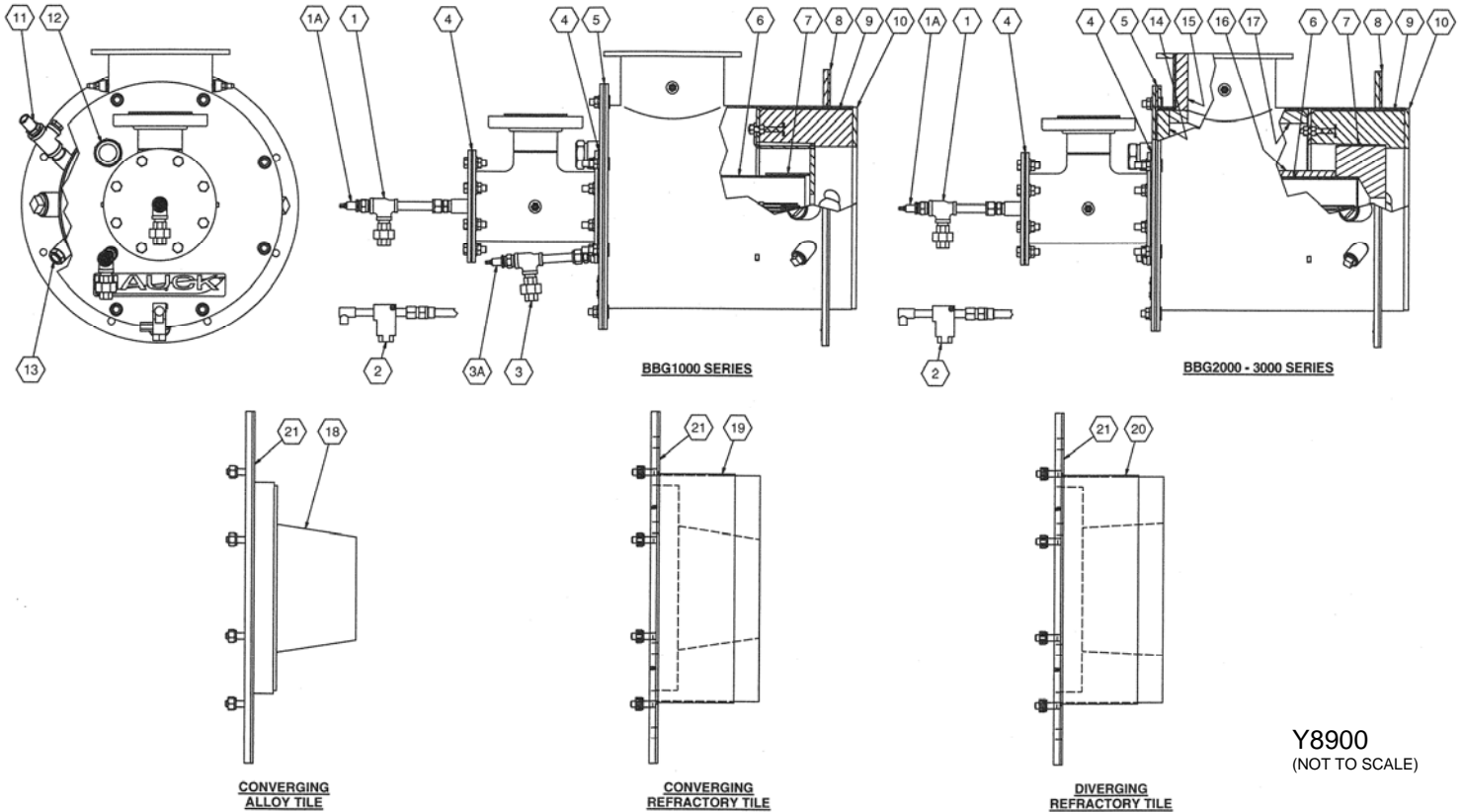
Y8962
(NOT TO SCALE)

Key No.	Description	1000 Series	2000 Series	3000 Series
1	IPE Pilot Assembly	47899x019	47899x019	47899x019
1A	IPE Electrode	47900x019	47900x019	47900x019
2	ZMI Pilot Assembly	84230055	84230055	84230055
3	Flamerod Assembly	406909x013	N/A	N/A
3A	Flamerod Electrode	406910x013	N/A	N/A
4	Gasket, Burner Backplate	74034	74034	74034
5	Baffle Assembly	407124	74054	74054
6	Gasket, Burner Mounting	45267	45267	45267
7	Ring, Refractory	74047	74043	74043
8	Cushion, Tile	75788	75788	75788
9	Adapter, Scanner	53056x001-001	53056x001-001	53056x001-001
10	Observation Port, Backplate	12718	12718	12718
11	Insulation, Backplate	N/A	N/A	407127-B
12	Insulation, Inlet	N/A	N/A	407127-C
13	Insulation, Gas Tube	N/A	N/A	407127
14	Observation Port, Pilot	12718	12718	12718
15	Tile Assembly, Converging Alloy	74026-001	74026-001	74026-001
16	Tile Assembly, Converging Refractory	74026	74026	74026
17	Gasket, Tile Mounting	74029	74029	74029



PARTS LIST

BETA BURNER & TILE GAS SERIES 1000 – 3000 SERIES (6")



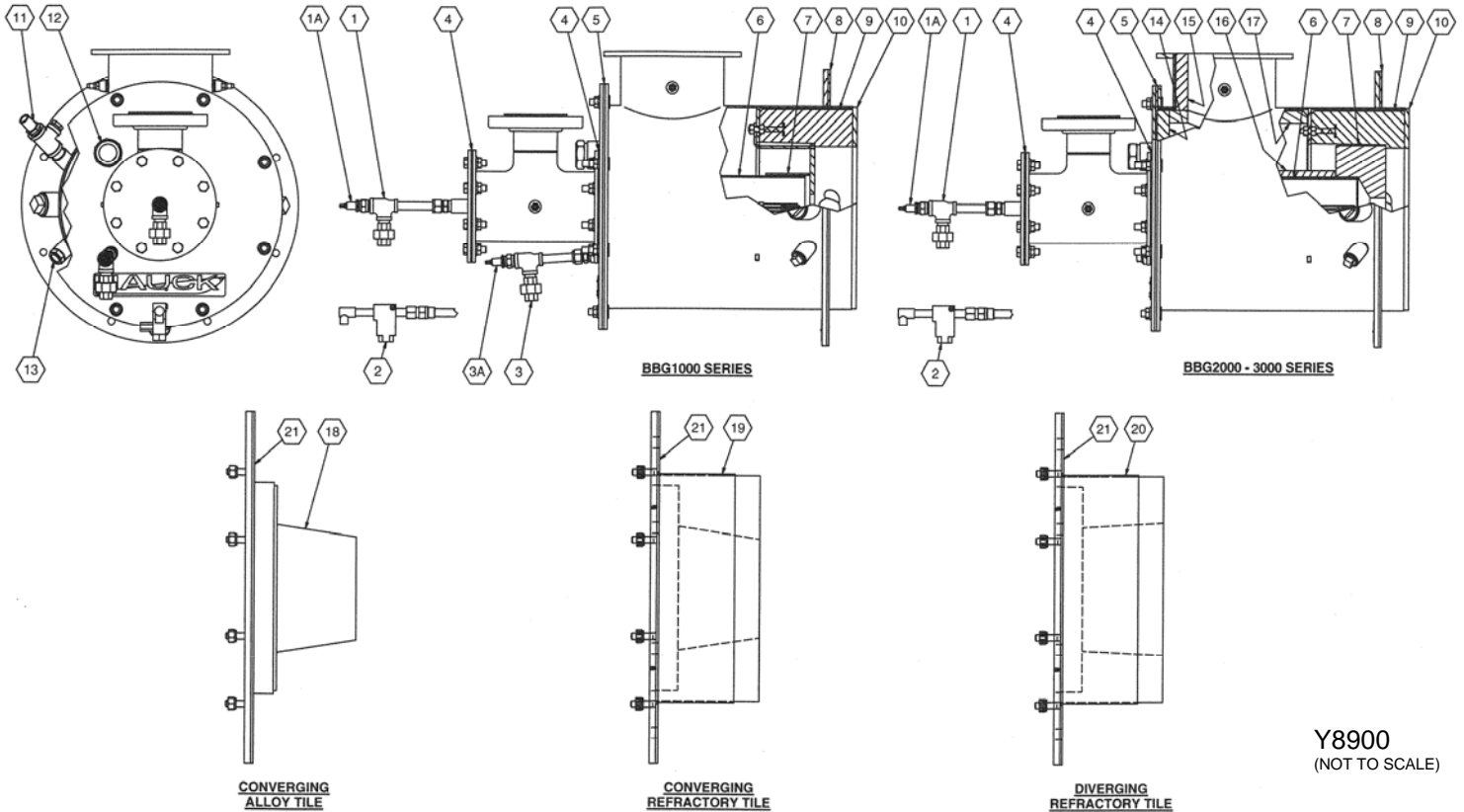
Y8900
(NOT TO SCALE)

Key No.	Description	1000 Series	2000 Series	3000 Series
1	IPE Pilot Assembly	47899x032	47899x032	47899x032
1A	IPE Electrode	47900x032	47900x032	47900x032
2	ZMI Pilot Assembly	84230075	84230085	84230085
3	Flamerod Assembly	406909x022	N/A	N/A
3A	Flamerod Electrode	406910x022	N/A	N/A
4	Gasket, Burner Tee	406865-D	406865-D	406865-D
5	Gasket, Burner Backplate	406861-M	406861-M	406861-M
6	Gas Tube	406870	406870	406870
7	Baffle Assembly	406864	70262	70262
*	Cement, Refractory (Needed For Baffle Replacement)	49046	49046	49046
8	Gasket, Burner Mounting	57907	57907	57907
9	Ring, Refractory	406887	406880	406880
10	Gasket, Tile Cushion	48631	48631	48631
11	Adapter Assembly, Scanner w/Air Purge	53056x001-001	53056x001-001	53056x001-001
12	Observation Port, Backplate	12268	12268	12268
13	Observation Port, Pilot	12718	12718	12718
14	Insulation, Backplate	N/A	N/A	406897-B
15	Insulation, Inlet	N/A	N/A	406897-B
16	Insulation, Gas Tube	N/A	N/A	406897-B
17	Insulation, Body	N/A	N/A	406897-B
18	Tile Assembly, Converging Alloy	74911-003	74911-003	74911-003
19	Tile Assembly, Converging Refractory	74911	74911	74911
20	Tile Assembly, Diverging Refractory	57910	57910	57910
21	Gasket, Tile Mounting	58623	58623	58623



PARTS LIST

BETA BURNER & TILE GAS SERIES 1000 – 3000 SERIES (8")



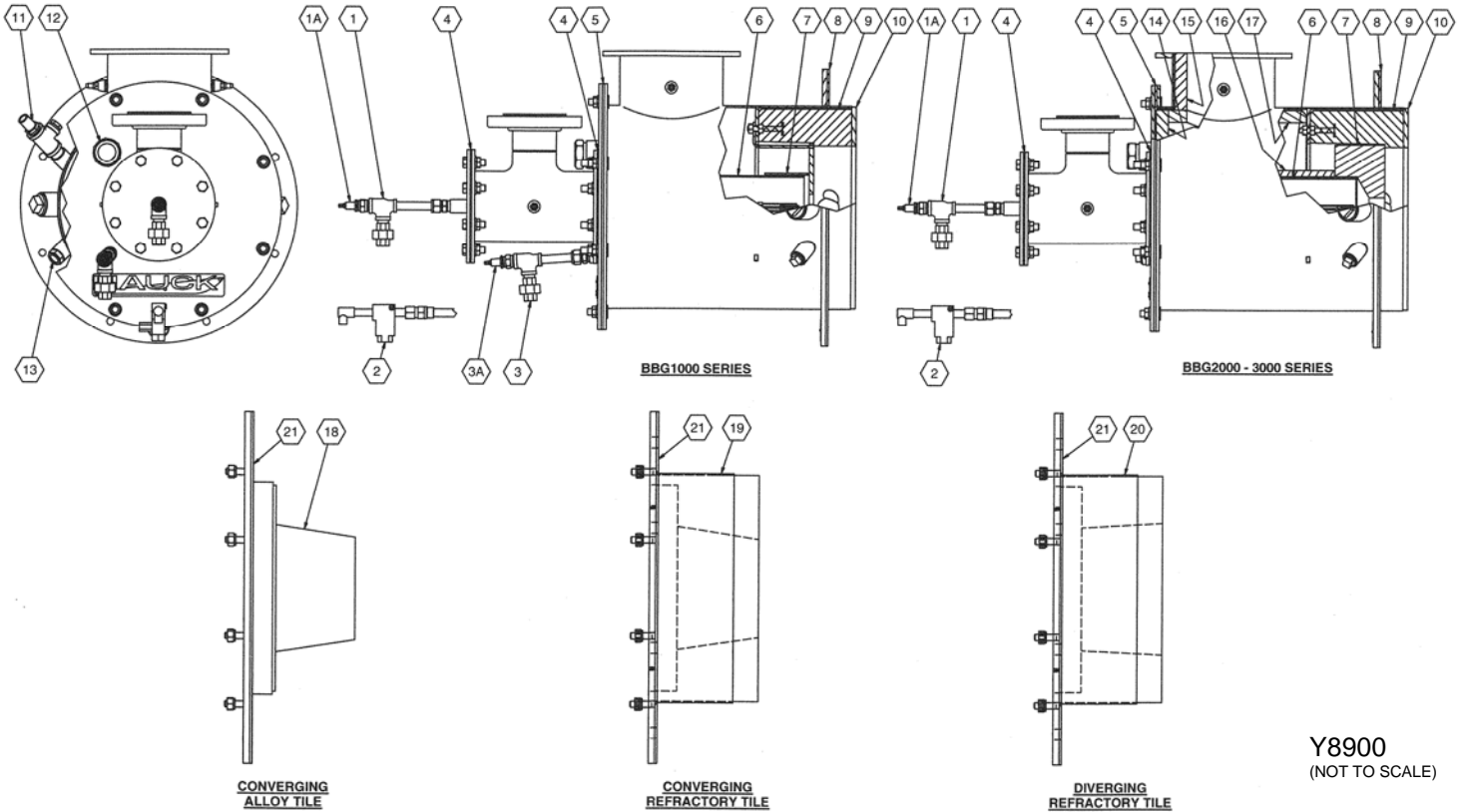
Y8900
(NOT TO SCALE)

Key No.	Description	1000 Series	2000 Series	3000 Series
1	IPE Pilot Assembly	47899x032	47899x032	47899x032
1A	IPE Electrode	47900x032	47900x032	47900x032
2	ZMI Pilot Assembly	84230075	84230085	84230085
3	Flamerod Assembly	406909x022	N/A	N/A
3A	Flamerod Electrode	406910x022	N/A	N/A
4	Gasket, Burner Tee	406865-D	406865-D	406865-D
5	Gasket, Burner Backplate	406861-M	406861-M	406861-M
6	Gas Tube	406870	406870	406870
7	Baffle Assembly	406862	70287	70287
*	Cement, Refractory (Needed For Baffle Replacement)	49046	49046	49046
8	Gasket, Burner Mounting	57907	57907	57907
9	Ring, Refractory	406887	406880	406880
10	Gasket, Tile Cushion	48631	48631	48631
11	Adapter Assembly, Scanner w/Air Purge	53056x001-001	53056x001-001	53056x001-001
12	Observation Port, Backplate	12268	12268	12268
13	Observation Port, Pilot	12718	12718	12718
14	Insulation, Backplate	N/A	N/A	406897-B
15	Insulation, Inlet	N/A	N/A	406897-C
16	Insulation, Gas Tube	N/A	N/A	406897-A
17	Insulation, Body	N/A	N/A	406897
18	Tile Assembly, Converging Alloy	74911-003	74911-003	74911-003
19	Tile Assembly, Converging Refractory	74911	74911	74911
20	Tile Assembly, Diverging Refractory	57910	57910	57910
21	Gasket, Tile Mounting	58623	58623	58623



PARTS LIST

BETA BURNER & TILE GAS SERIES 1000 – 3000 SERIES (10")



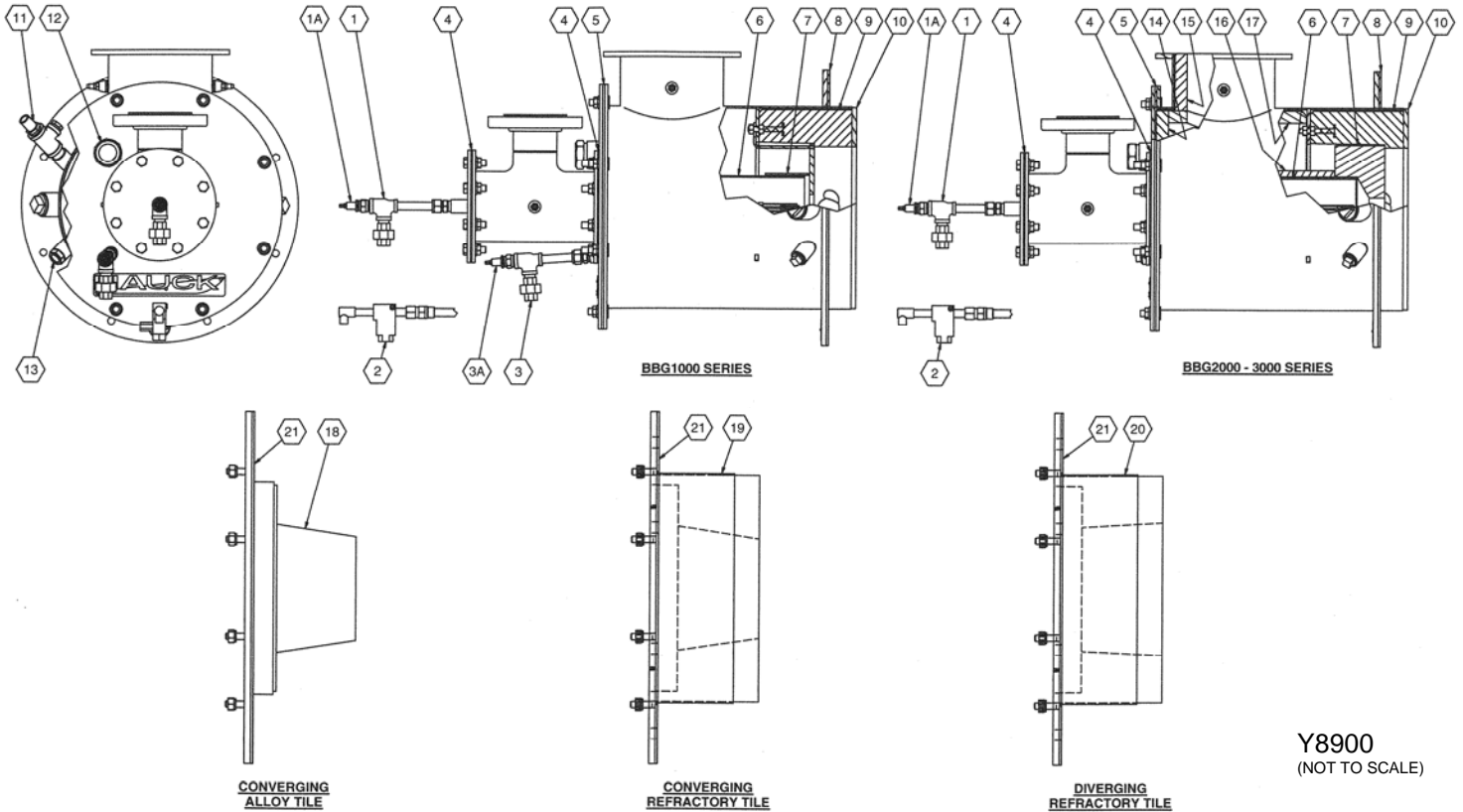
Y8900
(NOT TO SCALE)

Key No.	Description	1000 Series	2000 Series	3000 Series
1	IPE Pilot Assembly	47899x032	47899x036	47899x036
1A	IPE Electrode	47900x032	47900x036	47900x036
2	ZMI Pilot Assembly	84230085	84230095	84230095
3	Flamerod Assembly	406909x022	N/A	N/A
3A	Flamerod Electrode	406910x022	N/A	N/A
4	Gasket, Burner Tee	406865-D	406865-D	406865-D
5	Gasket, Burner Backplate	406900-K	406900-K	406900-K
6	Gas Tube	406870	406902	406902
7	Baffle Assembly	406903	406896	406896
*	Cement, Refractory (Needed For Baffle Replacement)	49046	49046	49046
8	Gasket, Burner Mounting	57928	57928	57928
9	Ring, Refractory	406901	406904	406904
10	Gasket, Tile Cushion	48992	48992	48992
11	Adapter Assembly, Scanner w/Air Purge	53056x001-001	53056x001-001	53056x001-001
12	Observation Port, Backplate	12268	12268	12268
13	Observation Port, Pilot	12268	12268	12268
14	Insulation, Backplate	N/A	N/A	406905-A
15	Insulation, Inlet	N/A	N/A	406905-B
16	Insulation, Gas Tube	N/A	N/A	406905-C
17	Insulation, Body	N/A	N/A	406905
18	Tile Assembly, Converging Alloy	74912-002	74912-002	74912-002
19	Tile Assembly, Converging Refractory	74912	74912	74912
20	Tile Assembly, Diverging Refractory	57931	57931	57931
21	Gasket, Tile Mounting	58624	58624	58624



PARTS LIST

BETA BURNER & TILE GAS SERIES 1000 – 3000 SERIES (12")



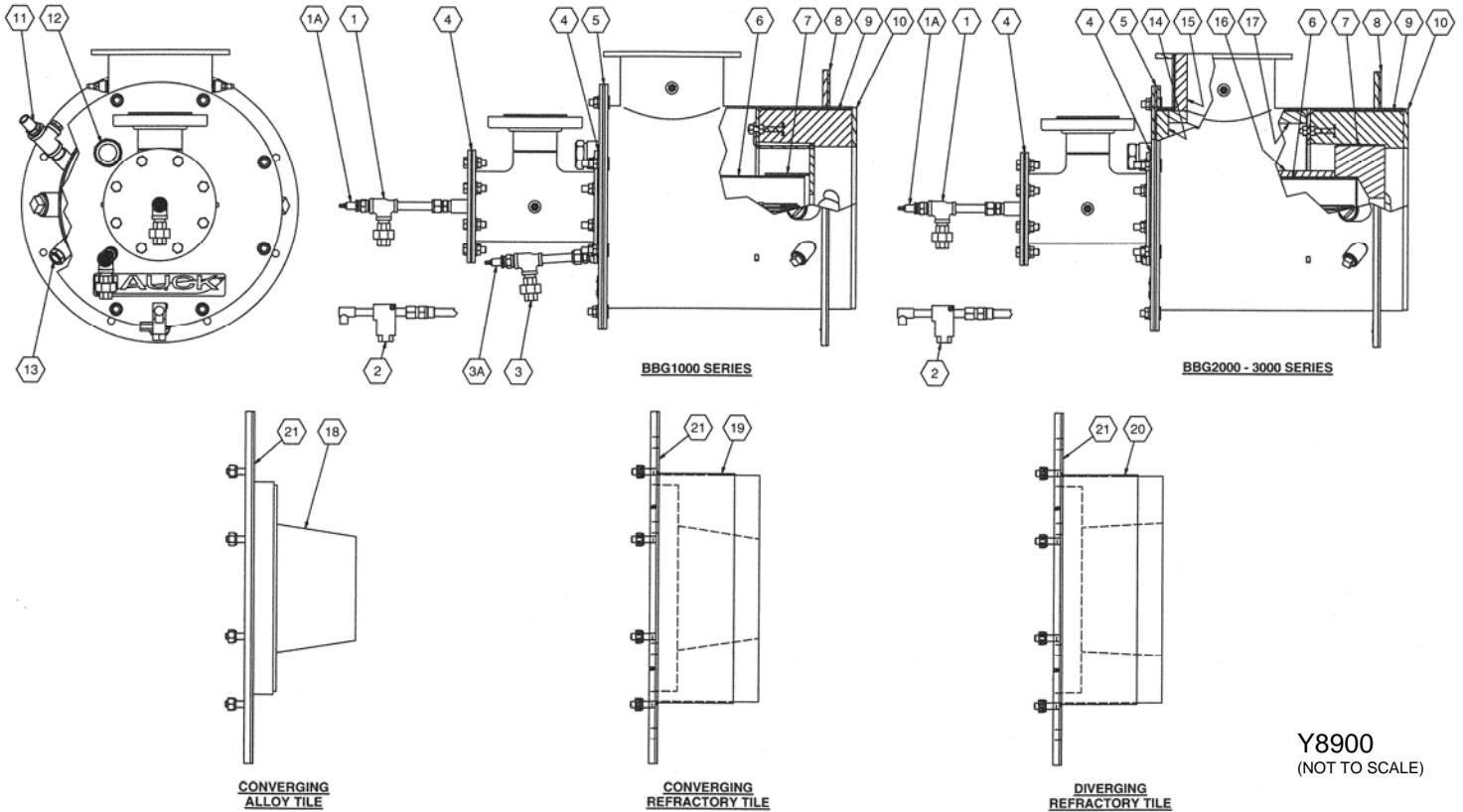
Y8900
(NOT TO SCALE)

Key No.	Description	1000 Series	2000 Series	3000 Series
1	IPE Pilot Assembly	47899x036	47899x040	47899x040
1A	IPE Electrode	47900x036	47900x040	47900x040
2	ZMI Pilot Assembly	84230095	84230105	84230105
3	Flamerod Assembly	406909x026	N/A	N/A
3A	Flamerod Electrode	406910x026	N/A	N/A
4	Gasket, Burner Tee	406917-B	406917-B	406917-B
5	Gasket, Burner Backplate	406908-K	406908-K	406908-K
6	Gas Tube	406918	407000	407000
7	Baffle Assembly	406919	71389	71389
*	Cement, Refractory (Needed For Baffle Replacement)	49046	49046	49046
8	Gasket, Burner Mounting	57942	57942	57942
9	Ring, Refractory	406999	406895	406895
10	Gasket, Tile Cushion	46904	46904	46904
11	Adapter Assembly, Scanner w/Air Purge	53056x001-001	53056x001-001	53056x001-001
12	Observation Port, Backplate	12268	12268	12268
13	Observation Port, Pilot	12268	12268	12268
14	Insulation, Backplate	N/A	N/A	407001-B
15	Insulation, Inlet	N/A	N/A	407001-A
16	Insulation, Gas Tube	N/A	N/A	407001-C
17	Insulation, Body	N/A	N/A	407001
18	Tile Assembly, Converging Alloy	74913-002	74913-002	74913-002
19	Tile Assembly, Converging Refractory	74913	74913	74913
20	Tile Assembly, Diverging Refractory	57945	57945	57945
21	Gasket, Tile Mounting	58625	58625	58625



PARTS LIST

BETA BURNER & TILE GAS SERIES 1000 – 3000 SERIES (14")



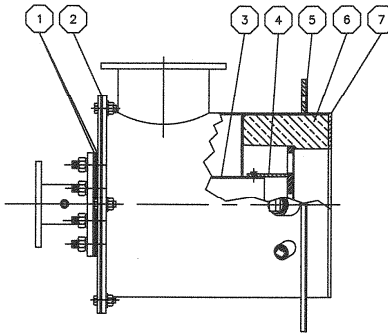
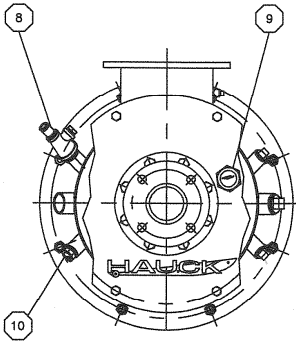
Y8900
(NOT TO SCALE)

Key No.	Description	1000 Series	2000 Series	3000 Series
1	IPE Pilot Assembly	47899x036	47899x044	47899x044
1A	IPE Electrode	47900x036	47900x044	47900x044
2	ZMI Pilot Assembly	84230105	84230125	84230125
3	Flamerod Assembly	406909x030	N/A	N/A
3A	Flamerod Electrode	406910x030	N/A	N/A
4	Gasket, Burner Tee	57956	57956	57956
5	Gasket, Burner Backplate	407103-K	407103-K	407103-K
6	Gas Tube	407107	407107	407107
7	Baffle Assembly	407105	407105	407105
8	Gasket, Burner Mounting	57956	57956	57956
9	Ring, Refractory	407104	407104	407104
10	Cushion, Tile	48468	48468	48468
11	Adapter, Scanner	53056x001-001	53056x001-001	53056x001-001
12	Observation Port, Backplate	12268	12268	12268
13	Observation Port, Pilot	12268	12268	12268
14	Insulation, Backplate	N/A	N/A	407116-B
15	Insulation, Inlet	N/A	N/A	407116-A
16	Insulation, Gas Tube	N/A	N/A	407116-C
17	Insulation, Body	N/A	N/A	407116
18	Tile Assembly, Converging Alloy	74914-001	74914-001	74914-001
19	Tile Assembly, Converging Refractory	74914	74914	74914
20	Tile Assembly, Diverging Refractory	57959	57959	57959
21	Gasket, Tile Mounting	58626	58626	58626

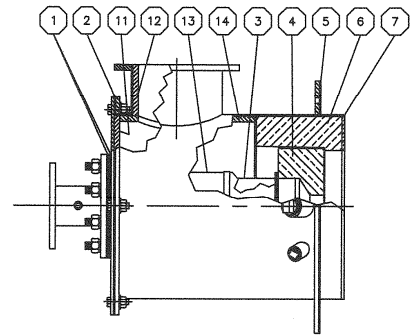


PARTS LIST

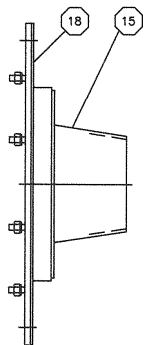
BETA BURNER & TILE GAS SERIES 1000 – 3000 SERIES (18")



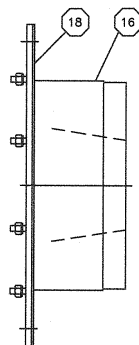
BBG 1000 SERIES



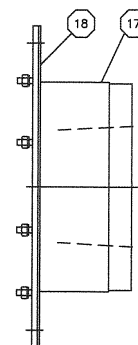
BBG 2000 - 3000 SERIES



CONVERGING
ALLOY TILE



CONVERGING
REFRACTORY TILE



DIVERGING
REFRACTORY TILE

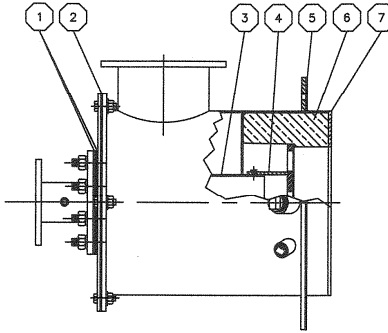
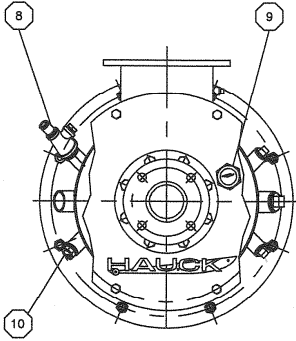
W6873
(NOT TO SCALE)

Key No.	Description	1000 Series	2000 Series	3000 Series
1	Gasket, Gas Tube	52994	52994	52994
2	Gasket, Burner Backplate	57970	57970	57970
3	Gas Tube	52878x001	71552x001	71552x001
4	Baffle Assembly	52891	71557	71557
5	Gasket, Burner Mounting	57971	57971	57971
6	Ring, Refractory	71566	71551	71551
7	Cushion, Tile	48734	48734	48734
8	Adapter, Scanner	53056x001	53056x001	53056x001
9	Observation Port, Backplate	12268	12268	12268
10	Observation Port, Pilot	12268	12268	12268
11	Insulation, Backplate	N/A	N/A	52882
12	Insulation, Body	N/A	N/A	52884
13	Insulation, Inlet	N/A	N/A	52885
14	Insulation, Gas Tube	N/A	N/A	52883
15	Tile Assembly, Converging Alloy	75185-003	75185-003	N/A
16	Tile Assembly, Converging Refractory	75185	75185	75185
17	Tile Assembly, Diverging Refractory	57974	57974	57974
18	Gasket, Tile Mounting	58143	58143	58143

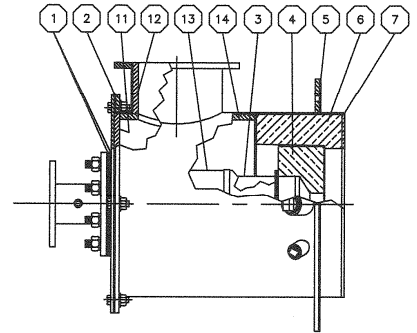


PARTS LIST

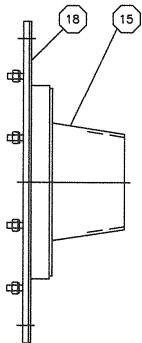
BETA BURNER & TILE GAS SERIES 1000 – 3000 SERIES (20")



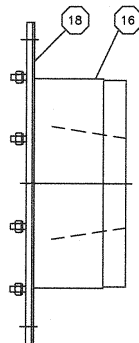
BBG 1000 SERIES



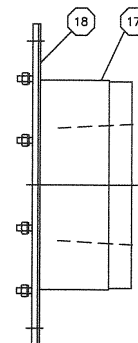
BBG 2000 - 3000 SERIES



CONVERGING
ALLOY TILE



CONVERGING
REFRACTORY TILE



DIVERGING
REFRACTORY TILE

W6873
(NOT TO SCALE)

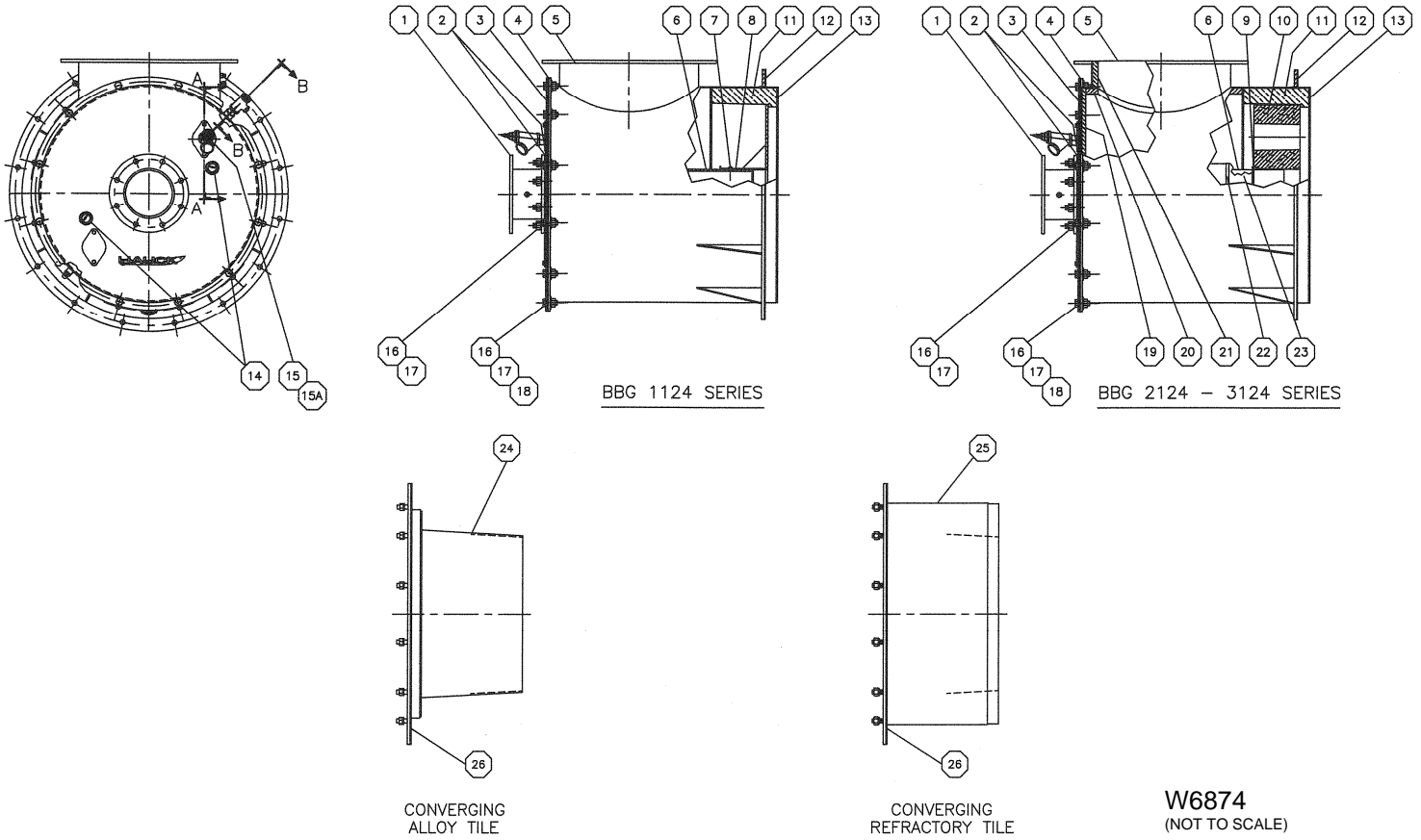
Key
No.

Key No.	Description	1000 Series	2000 Series	3000 Series
1	Gasket, Gas Tube	37242	37242	37242
2	Gasket, Burner Backplate	407070-K	407070-K	407070-K
3	Gas Tube	407073	407280	407280
4	Baffle Assembly	407277	407282	407282
5	Gasket, Burner Mounting	407070-L	407070-L	407070-L
6	Ring, Refractory	407071	407283	407283
7	Cushion, Tile	407070-M	407070-M	407070-M
8	Adapter, Scanner	53056x001	53056x001	53056x001
9	Observation Port, Backplate	12268	12268	12268
10	Observation Port, Pilot	12268	12268	12268
11	Insulation, Backplate	N/A	N/A	407287-B
12	Insulation, Body	N/A	N/A	407287
13	Insulation, Inlet	N/A	N/A	407287-A
14	Insulation, Gas Tube	N/A	N/A	407287-C
15	Tile Assembly, Converging Alloy	407077	407077	N/A
16	Tile Assembly, Converging Refractory	407077-001	407077-001	407077-001
17	Tile Assembly, Diverging Refractory	PENDING	PENDING	PENDING
18	Gasket, Tile Mounting	407077-F	407077-F	407077-F



PARTS LIST

BETA BURNER & TILE GAS SERIES – PILOT IGNITION BBG1124 – BBG3124



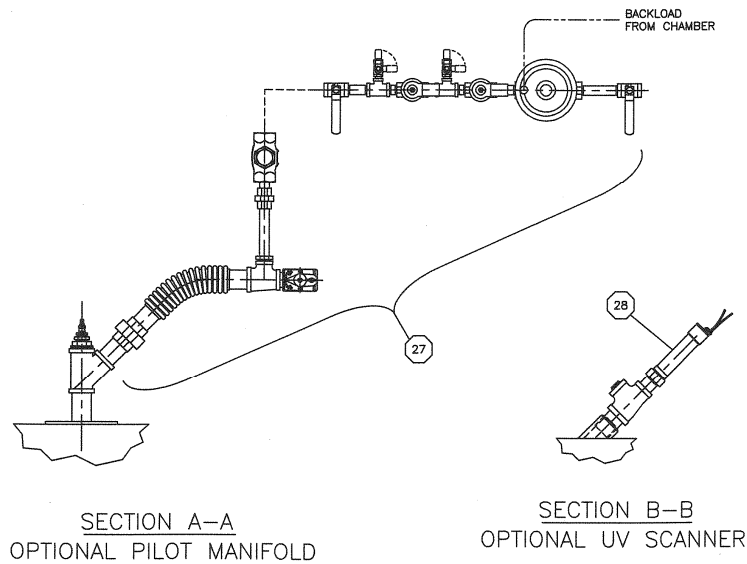
Key

No.	Description	BBG1124	BBG2124	BBG3124
1	Inlet, Gas	75333	75333	75333
2	Gasket, Gas Tube	401313	401313	401313
3	Backplate Assembly, Secondary Air Body	58067	58067	58067
4	Gasket, Backplate Mounting	58070	58070	58070
5	Body Assembly, Secondary Air	58051	58051	58051
6	Tube Assembly, Gas	58081	58081	58081
7	Screw, Hex Hd Cap 1/4-20 x 3/8" Lg.	7332x004	N/A	N/A
8	Baffle Assembly, Stainless Steel	58061	N/A	N/A
9	Rope, Fiberfrax 1/4" Dia.	N/A	96162	96162
10	Baffle Assembly, Gas Refractory	N/A	58053	58053
*	Cement, Refractory (Needed For Baffle Replacement)	49046	49046	49046
11	Ring, Refractory	58059	58059	58059
12	Gasket, Burner Mounting	58071	58071	58071
13	Gasket, Tile Cushion	58072	58072	58072
14	Observation Port 1-1/2 NPT	12268	12268	12268
15	Pilot Assembly (Welding Required)	58155	58011	58011
15A	Gasket, Pilot Assembly	73297	73297	73297
16	Nut, Hex Heavy 3/4-10	7027	7027	7027
17	Washer, Lock 3/4	7211	7211	7211
18	Screw, Hex Hd Cap 3/4-10	7199x016	7199x016	7199x016

Key

<u>No.</u>	<u>Description</u>	<u>BBG1124</u>	<u>BBG2124</u>	<u>BBG3124</u>
19	Insulation Insert, Backplate	N/A	N/A	58133
20	Insulation Insert, Secondary Air Body	N/A	N/A	58135
21	Insulation Insert, Secondary Air Inlet	N/A	N/A	58136
22	Insulation Insert, Gas Tube	N/A	N/A	58134
23	Clamp Assembly	N/A	N/A	35144x010
24	Tile Assembly, Converging Alloy	58054-002	N/A	N/A
25	Tile Assembly, Converging Refractory	58054	58054	58054
26†	Gasket, Tile Mounting	58627	58627	58627

† Part Included in Key No's 24, and 25



W6874
(NOT TO SCALE)

OPTIONAL

27	Ignition Gas Pilot Kit	404848	404848	404848
28	UV Scanner (Honeywell)	20579	20579	20579
	UV Scanner (Kromschroder)	84315205	84315205	84315205