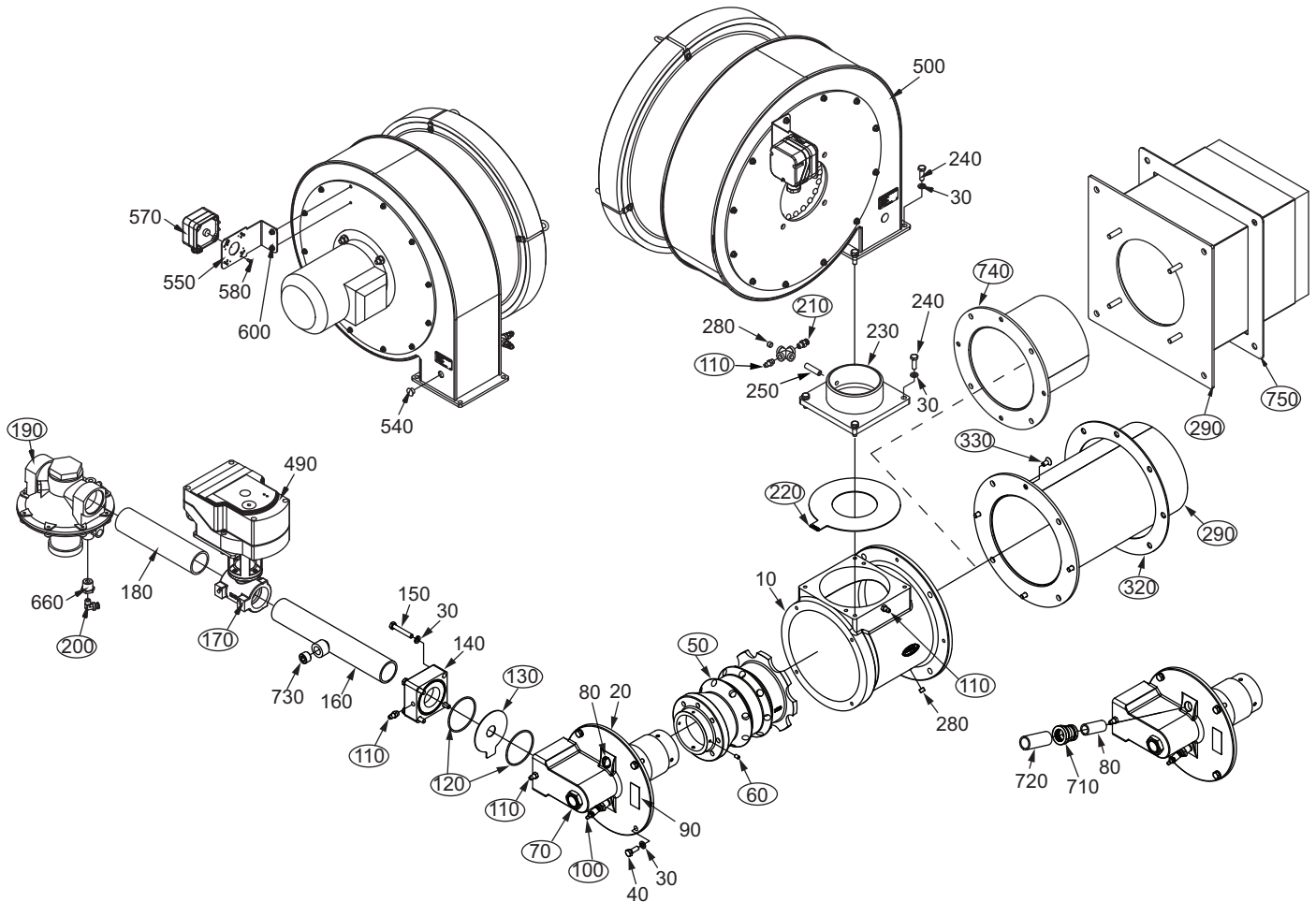


Eclipse ThermAir Burners

Model TA0300

Spare Parts List Edition 08.15

Version 3



○ - Typical Spare Part, for all other items please contact Eclipse.

Ref	Part Number	Description
50	7038-1	Nozzle
60	15885	Set Screw (M6 x 10)
70	13225	Peepsight
100	23045	Igniter
110	13445	Pressure Tap
120	14778	O-Ring for Fuel Orifice Plate (71 mm Diameter)
130	14188-1	Natural Gas Orifice Plate (24 mm)
130	14188-6	Butane Orifice Plate (19 mm)

Ref	Part Number	Description
130	14188-9	Propane Orifice Plate (20 mm)
170	10062073	Butterfly Valve, IC20/SQM4 (1.5" NPT)
170	10062095	Butterfly Valve, IC20/SQM4 (1.5" BSP)
170	101250	Butterfly Valve, PRA/SQM5/M7284 (1.5" BSP)
170	501203	Butterfly Valve, PRA/SQM5/M7284 (1.5" NPT)
190	KS03155146	Ratio Regulator (1.5 Rp)

(Continued on next page)

Ref	Part Number	Description
190	KS03155152	Ratio Regulator (1.5" NPT)
200	1494	Elbow Fitting for Braided Stainless Steel Impulse Line and Air Switch Line
200	14689	Elbow Fitting for Plastic Impulse Line
200	22085	Elbow Fitting for Stainless Steel Tubing Impulse Line
210	2484	Straight Fitting for Braided Stainless Steel Impulse Line and Air Pressure Switch
210	14506	Straight Fitting for Plastic Impulse Line and Air Pressure Switch
210	22210	Straight Fitting for Stainless Steel Tubing Impulse Line
220	10039-1	Air Orifice Plate (90 mm)
290	10046070	Block & Holder Combustor - Straight
290	101018	Alloy Combustor - Straight
320	10027	Burner to Furnace Wall Mounting Gasket
330	10001	Screw for Alloy Combustor
540	20605	Button Plug
590	24844	Straight Fitting for Braided Stainless Steel Line for Air Pressure Switch
740	100067	Block and Holder Liner - Straight
750	15242	Block and Holder Gasket
N/S	11128	Filter Element (508 mm Diameter)
N/S	30027	Stainless Steel Tubing Impulse Line (915 mm)
N/S	34505	Plastic Impulse Line (915 mm)
N/S	34505	Plastic Air Pressure Switch Line (1220 mm)
N/S	015991-03	Braided Stainless Steel Impulse Line (915 mm)
N/S	015991-04	Braided Stainless Steel Air Pressure Switch Line (1220 mm)