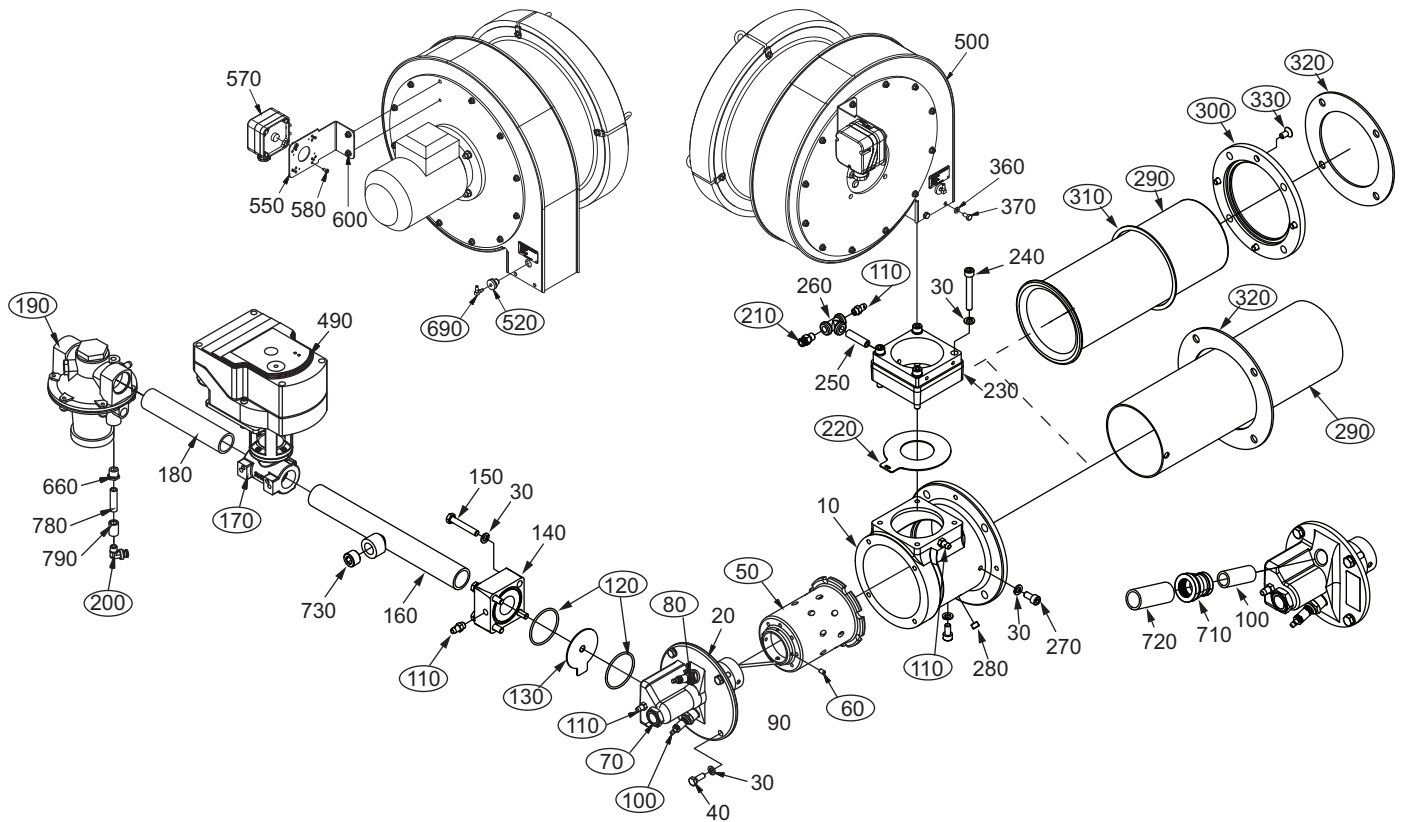


# Eclipse ThermAir Burners

Model TA0100

Spare Parts List Edition 08.15

Version 3



○ - Typical Spare Part, for all other items please contact Eclipse.

Ref	Part Number	Description
50	3997-1	Nozzle
60	15885	Set Screw (M6 x 10)
70	10509	Peepsight
80	10002219-1	Flamerod
100	10019728	Igniter
110	13445	Pressure Tap
120	14778	O-Ring for Fuel Orifice Plate (71 mm Diameter)
130	14188-14	Propane Orifice Plate, 3" Blower (12 mm)
130	14188-28	Natural Gas Orifice Plate, 3" Blower (15.5 mm)
130	14188-29	Butane Orifice Plate, 3" Blower (11 mm)
130	14188-27	Natural Gas Orifice Plate, 6" Blower (15.0 mm)

Ref	Part Number	Description
130	101028545	Propane Orifice Plate, 6" Blower (11.5 mm)
130	101028546	Butane Orifice Plate, 6" Blower (10.5 mm)
170	10062067	Butterfly Valve, IC20/SQM4 (1" NPT)
170	10062093	Butterfly Valve, IC20/SQM4 (1" BSP)
170	101249	Butterfly Valve, PRA/SQM5/M7284 (1" BSP)
170	501224	Butterfly Valve, PRA/SQM5/M7284 (1" NPT)
190	KS03155140	Ratio Regulator (1" NPT)
190	KS03155134	Ratio Regulator (1.0 Rp)
200	1494	Elbow Fitting for Braided Stainless Steel Impulse Line and Air Switch Line

(Continued on next page)

Ref	Part Number	Description
200	14689	Elbow Fitting for Plastic Impulse Line
200	22085	Elbow Fitting for Stainless Steel Tubing Impulse Line
210	2484	Straight Fitting for Braided Stainless Steel Impulse Line and Air Pressure Switch
210	14506	Straight Fitting for Plastic Impulse Line and Air Pressure Switch
210	22210	Straight Fitting for Stainless Steel Tubing Impulse Line
220	14802-8	Air Orifice Plate (70 mm)
220	14802-11	Air Orifice Plate (56 mm)
290	20718	Ceramic Combustor - Straight
290	20716-1	Alloy Combustor - Straight
300	10003	Ceramic Combustor Retaining Ring
310	10005	Ceramic Combustor to Retaining Ring Gasket
320	14932	Burner to Furnace Wall Mounting Gasket
330	10001	Screw for Ceramic Combustor Retainer Ring
520	20606	Grommet for Plastic Air Switch Line
540	20605	Button Plug
590	24844	Straight Fitting for Braided Stainless Steel Line for Air Pressure Switch
690	21197	Barbed Elbow Fitting for Plastic Air Switch Line
N/S	11132	Filter Element (405 mm Diameter)
N/S	11846	Filter Element (254 mm x 254 mm x 51 mm)
N/S	30027	Stainless Steel Tubing Impulse Line (915 mm)
N/S	34505	Plastic Impulse Line (900 mm)
N/S	34505	Plastic Air Pressure Switch Line (915 mm)
N/S	015991-03	Braided Stainless Steel Impulse Line (915 mm)
N/S	015991-03	Braided Stainless Steel Air Pressure Switch Line (915 mm)