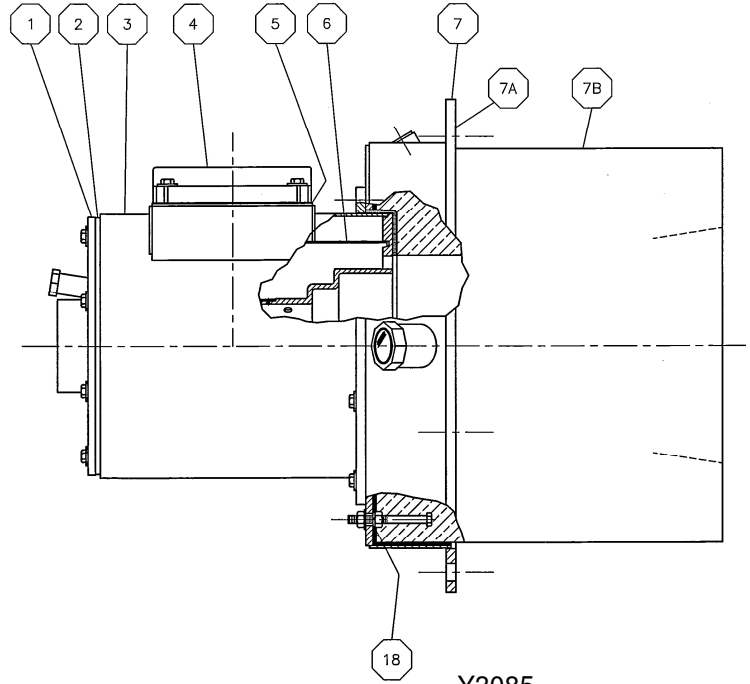
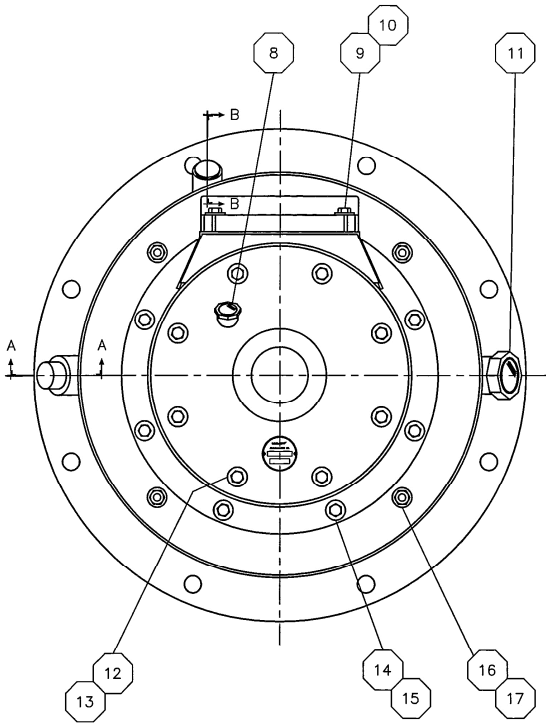




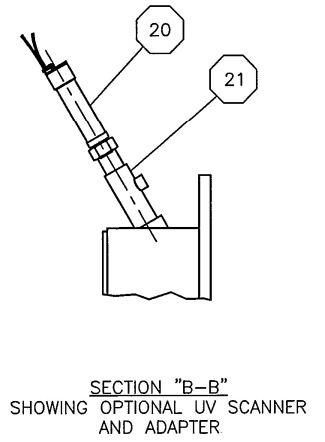
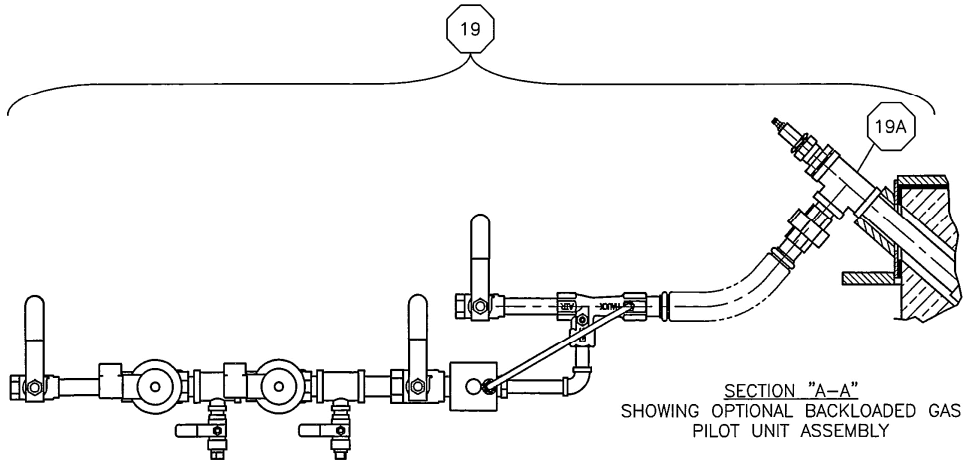
NMG NOZZLE MIX GAS BURNER
NMG260A
 (Includes NMG-H Models)



Y3085
 (NOT TO SCALE)

Key

No.	Description	NMG260A
1	Backplate Assembly	16559
2	Gasket, Backplate	9211
3	Body Assembly	16328
4	Flange, Pipe	5010A
5	Gasket, Pipe Flange	5011
6	Sleeve	9212
7	Plate & Tile Assembly	37634
7A	Plate Assembly, Furnace Mounting	36023
7B	Tile Assembly	36024
8	Observation Port, 3/4 NPT	12718
9	Screw, Hex Hd. Cap	7236x012
10	Washer, Plain	7076
11	Observation Port, 1-1/2 NPT	12268
12	Screw, Hex Hd. Cap	7236x008
13	Washer, Plain	7076
14	Screw, Hex Hd. Cap	7236x008
15	Washer, Plain	7076
16	Washer, Plain	7076
17	Nut, Heavy Hex Steel	7023
18	Washer, Lock	7105



Y3085
(NOT TO SCALE)

Key

No. Description

NMG-H Models

1 Backplate Assembly
6 Sleeve

NMG260A

N/A

OPTIONAL

19 Pilot Unit Assembly, Backloaded Gas Asco
19A Pilot Assembly
20 UV Scanner
21 Adapter Assembly, UV Scanner

45730x001-001
30939x001
20579
37811

NOTE: Parts listed to be available for 5 years. Items shown in red, to be maintained as spares for 10 years.