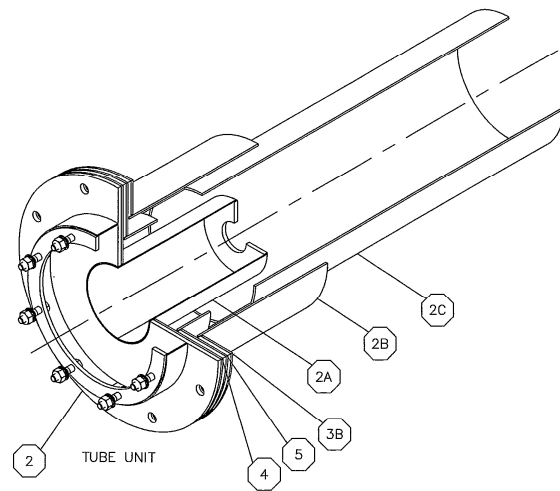
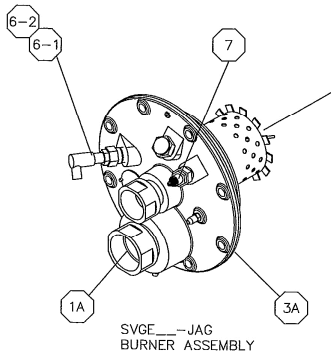
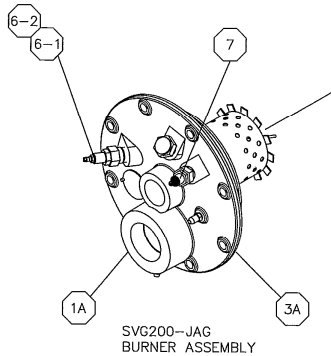
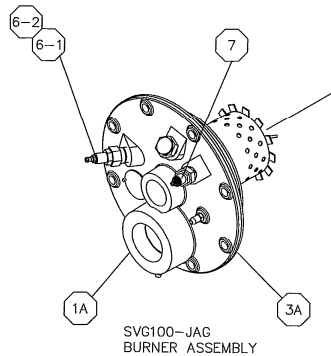




PARTS LIST

JAG JET AIR GAS BURNER JAG_20 – JAG_80



Y7964
(NOT TO SCALE)

Key

No	Description
1A	Burner Assembly, SVG 100 Series
1B	Burner Assembly, SVG 200 Series
1C	Burner Assembly, SVGE Series
2	Tube Unit
2A	Burner Plenum Chamber Assembly
2B	Tube Assembly, Gas Recirculation
2C	Tube Assembly, Flame Protection
3A	Gasket, Burner Assembly
3B	Gasket, Outer Tube Mounting
4	Gasket, Burner Plenum Chamber
5	Gasket, Inner Tube Mounting
6-1	Flame Rod Assembly (Option)
6-2	Scanner (Option) Separate Line Item
7	Igniter Assembly, Spark

SVG 20-JAG
SVG120C
SVG220C
SVGE20C
404151
405708-A
404150
404152
405728
405728
45267-004
45267-005
400099x001

53400x002

SVG 25-JAG
SVG125C
SVG225C
SVGE25C
404148
405709-A
404150
404149
405728
405728
45267-001
45267-002
400099x001

53400x002

SVG 30-JAG
SVG130C
SVG230C
SVGE30C
404135
405700-A
404137
404136
405729
405729
53463-003
53463-004
400099x003

53400x002

Key No	Description	<u>SVG 40-JAG</u>	<u>SVG 60-JAG</u>	<u>SVG 80-JAG</u>
1A	Burner Assembly, SVG 100 Series	SVG140C	SVG160C	SVG180C
1B	Burner Assembly, SVG 200 Series	SVG240C	SVG260C	SVG280C
1C	Burner Assembly, SVGE Series	SVGE40C	SVGE60C	SVGE80C
2	Tube Unit	406254	404142	406560
2A	Burner Plenum Chamber Assembly	405702-A	405703-A	406484-A
2B	Tube Assembly, Gas Recirculation	404147	404144	406562
2C	Tube Assembly, Flame Protection	406254-A	404143	406561
3A	Gasket, Burner Assembly	405729	405722	405731
3B	Gasket, Outer Tube Mounting	53438-007	53438-009	53438-011
4	Gasket, Burner Plenum Chamber	405729	405722	405731
5	Gasket, Inner Tube Mounting	53438-006	53438-004	53438-010
6-1	Flame Rod Assembly (Option)	400099x004	400099x005	400099x006
6-2	Scanner (Option) Separate Line Item	---	---	---
7	Igniter Assembly, Spark	53400x004	53400x028	53400x028

NOTE: Parts listed to be available for 5 years. Items shown in red, to be maintained as spares for 10 years.

