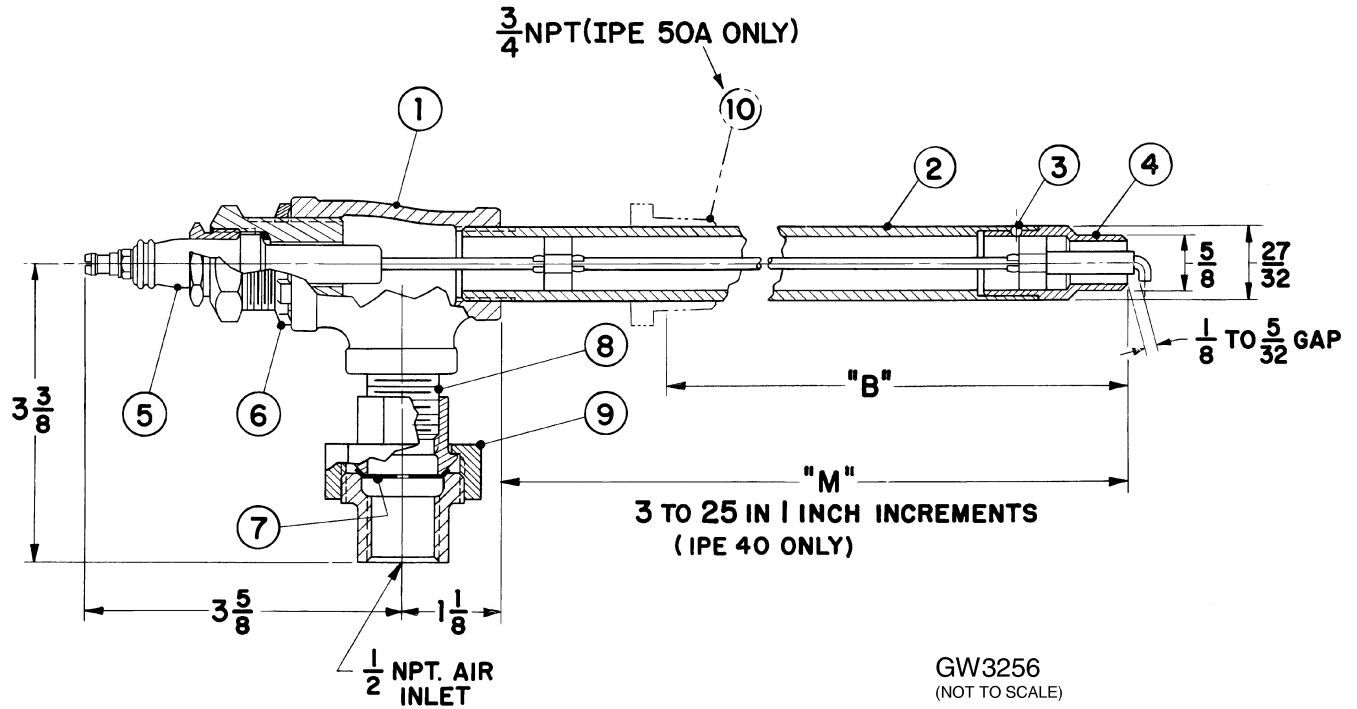


## AIR COOLED SPARK IGNITER IPE40-50A



Key No.	Description		IPE 40-50A
1	Tee		43501
2	Tube, Extension	M-1"	5043x
3	Ball		2830
4	Nozzle		43502
5	Spark Plug Assembly		43493x
6	Locknut		20173
7	Plate, Orifice	M= 6.9" M= 10.25"	44217 43574
8	Nipple, Close 1/2x1-1/8"		435
9	Union		14384
10	Bushing	(IPE 50A Only)	33386

"M" (IPE 40 Only) & "B" MUST BE SPECIFIED ON ORDER.