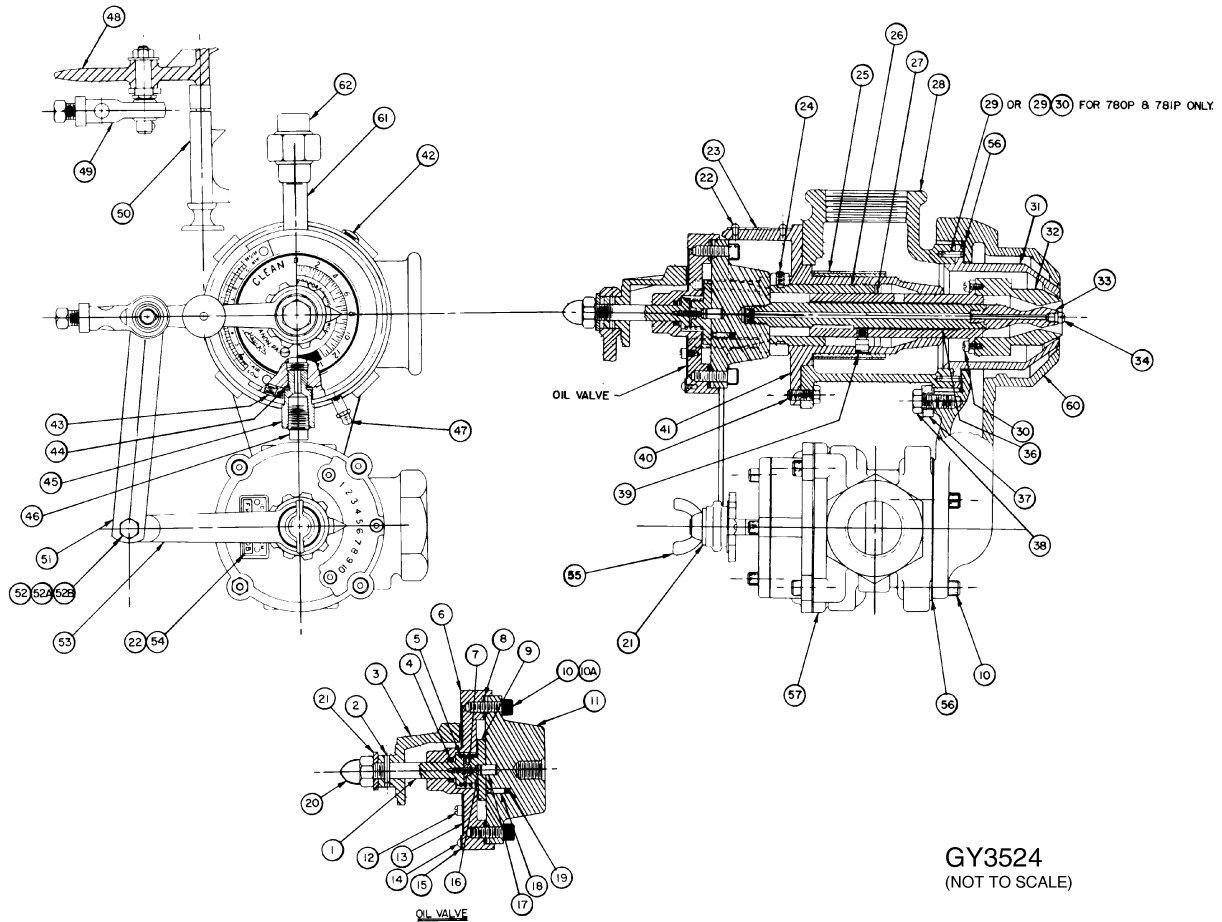




# PARTS LIST

## 780P – 781PAC OIL & COMBINATION BURNERS



### Key

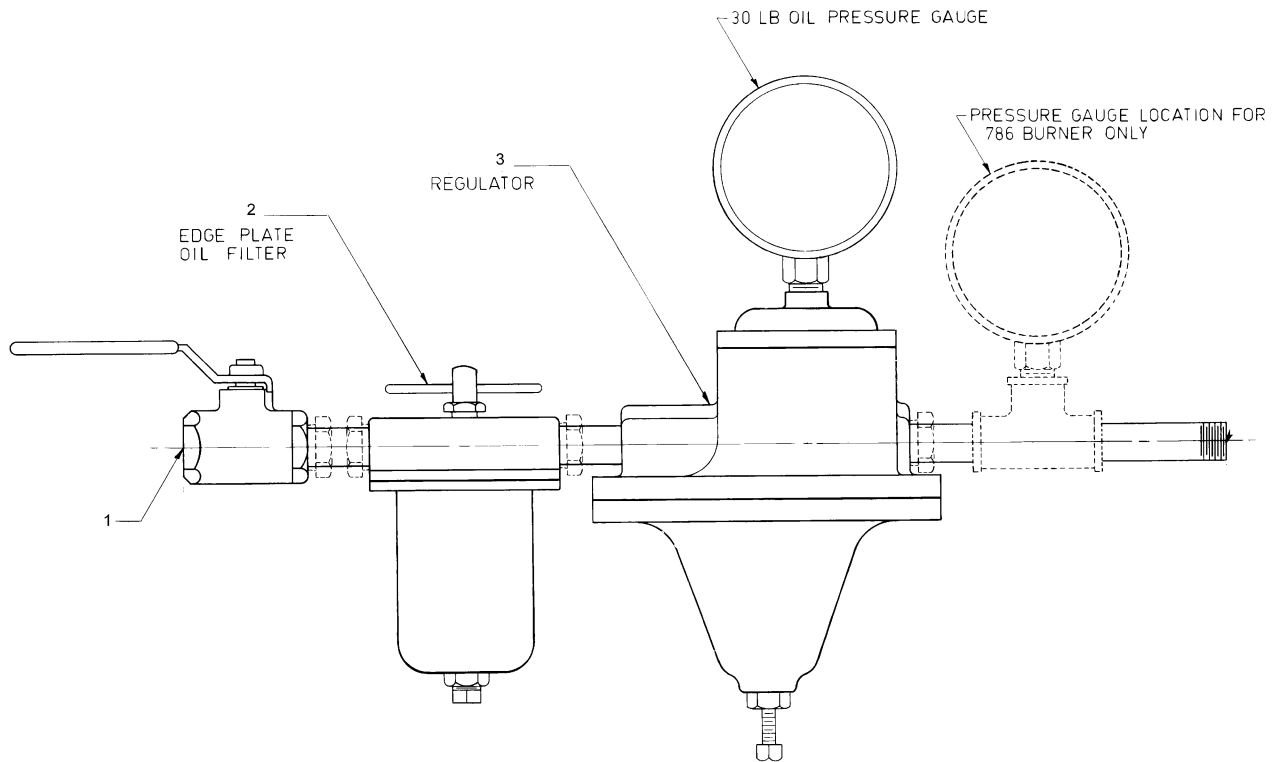
No.	Description	780	781
1*	Stem, Oil Valve	45822x001	45822x001
2	Pin, Roll 1/8 Dia x 11/16 Lg.	7148x011	7148x011
3	Wheel, Oil Valve Pointer	44526A	44526A
4	Packing, O-Ring	7041x110	7041x110
5*	Spring, Oil Valve	1431	1431
6	Cap, Oil Valve	842A	842A
7*	Coupling, Oil Valve	1972B	1972B
8	Gasket, Oil Valve	1358	1358
9*	Disc, Oil Valve	1316C	1316D
10	Screw, Soc. Hd. Cap 1/4-20 x 3/4" Lg.	4 Req'd 6966x006	6966x006
10a	Screw, Soc. Hd. Cap 1/4-20 x 1-1/2" Lg.	4 Req'd 6966x012	6966x012

Key No.	Description		780	781
11	Body, Valve		590A	590B
12	Screw, Fill. Hd Mach. #8-32 x 3/16"Lg.	7 Req'd	6980x003	6980x003
13	Dialplate, Oil Valve		3969	3969
14	Screw, Rd. Hd. "U" Drive #4-40 x 1/4" Lg.		7009x004	7009x004
15	Dialplate, Air		1175	1175
16*	Screw, Flat Hd. Mach. #4-40 x 5/8" Lg.		6985x005	6985x005
17	Pin, Centering		1352	1352
18	Pin, Cleaning		2162	2162
19	Spring, Cleaning Pin		1427	1427
20	Nut, High Crown Acorn 3/8-16		7323	7323
21	Washer, Plain 13/32 I.D. x 13/16 O.D. x 16 Ga.		7071	7071
22	Screw, Rd. Hd. "U" Drive #2 x 3/16" Lg.	2 Req'd	7008x003	7008x003
23	Nameplate, Burner		1176	1176
24	Screw, Hex Soc. Cone Pt. Set #10-32 x 3/8"Lg.	2 Req'd	6954x003	6954x003
25	Sleeve Assembly, Slot Protecting		14442	14443
26	Sleeve, Adjusting		6837A	6838A
27	Tube Extension		1174B	623B
28	Body, Burner		569A	570A
29	Pin, Roll 1/8 Dia x 3/8" Lg.		7148x011	7148x011
30	Screw, Fill Hd Mach. #12-24x1/2" Lg.	7 Req'd	6982x004	6982x004
31	Nozzle, Outer Air		646A	647A
32	Nozzle, Inner Air		14648	14649
33	Nozzle, Oil		1187	1188
34	Screw, Fill. Hd Mach. #8-32x1/4" Lg.		6980x004	6980x004
36	Tube, Oil		1179	1180
37+	Clamp, Gas Nozzle	4 Req'd	4619	4619
38+	Screw, Hex Hd Cap 5/16-18 x 3/4" Lg.	4 Req'd	6939x006	6939x006
39	Screw Assembly, Inner Nozzle Operating		12003	12003
40	Screw, Hex Hd. Cap 1/4-20x5/8"Lg.	2 Req'd	6938x005	6938x005
41	Backplate, Burner		986A	987A
42	Plug, Slotted Pipe 1/8 NPT		254	254
43	Screw, Soc. Hd. Cup Pt. Set 1/4-20x1/4" Lg.	2 Req'd	6955x002	6955x002
44	Gasket, Bleeder Connection		1400	1400
45	Connection, Bleeder		1397	1397
46	Plug, Sq Hd Pipe 1/4 NPT		7054	7054
47	Fitting, Alemite		20238	20238
48	Lever, Adjusting		934A	935A
49	Connection Assembly, Single Bearing		14149	14149
50	Lever Assembly, Quick Disconnect		11127	11127
51+	Link, Gas Valve		4994	4995
52+	Screw, Hex Hd Cap 3/8-16 x 1-1/4" Lg.		7236x010	7236x010
52a+	Washer, Plain 3/8 I.D. x 9/16 O.D. x 16Ga.	2 Req'd	7095	7095
52b+	Nut, Hex W/Nylon Insert 3/8-16		5913	5913
53+	Lever, Gas Valve		950A	950A
54+	Nameplate, Gas Valve		2610J	2610J
55+	Nut, Wing 3/8-16		7038	7038
56+	Gasket, Permatex		11098	11098
57+	Valve Assembly, Gas FVA 9A10C		17979	17980
58+	Nozzle, Gas		708C	---
60+	Nozzle, Gas		---	709C
61	Nipple, 1/4 NPT x 2"Lg.		421	421
62	Union 1/4 NPT		14382	14382
*	Disc. Assembly (Parts #1,5,7,9 & 16)		800792	800793
+	These Parts Are Used On 780PAC – 781PAC ONLY)			

ASSEMBLIES

<u>Description</u>	<u>780</u>	<u>781</u>
Complete Internal Replacement Assembly.	38707	38712
Burner Backplate with Inner Air Nozzle.	38706	38711
Oil Valve with Oil Union, Bleeder Connection, Quick Disconnect Lever, Oil Tube and Oil Nozzle.	38705	38710
Oil Valve with oil Union, Bleeder Connection And Quick Disconnect Lever.	38704	38709
Oil Valve Only but Less Bleeder Connection, Oil Valve Lock Nut and Quick Disconnect Lever.	38703	38708

**REGULATOR SET-UP ASSEMBLY PARTS LIST**



GX3039  
(NOT TO SCALE)

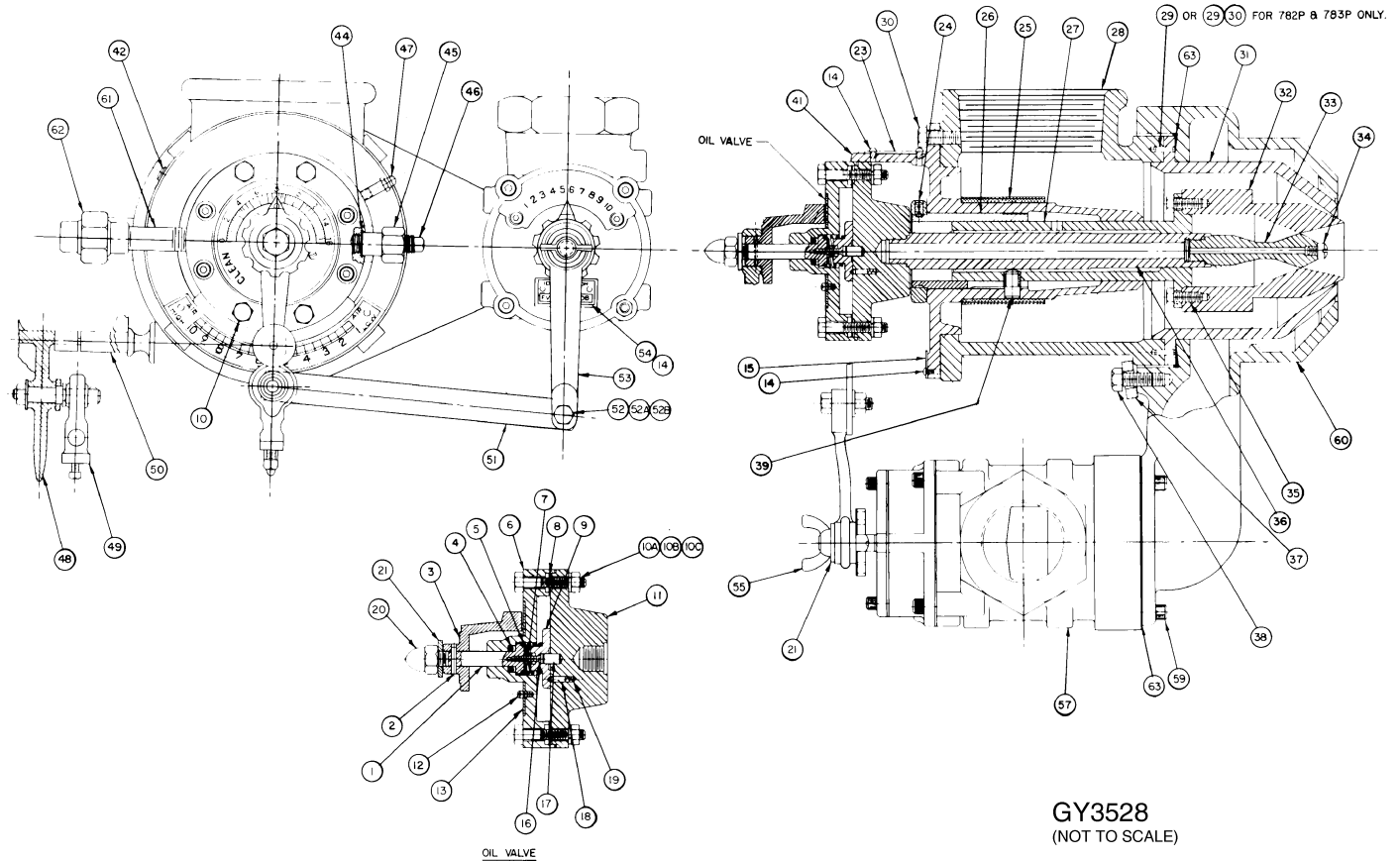
<u>Key No.</u>	<u>Description</u>	<u>780</u>	<u>781</u>
1	Oil Shut-off Valve	41693	41693
2	Edge Plate Oil Filter	11043 (FEP103A)	11043 (FEP103A)
3	Oil Pressure Regulator W/Gauge	800862 (PRO1A)	800863 (PRO2A)

This page left intentionally blank.



# PARTS LIST

## 782P – 783PAC OIL & COMBINATION BURNERS



### Key

No.	Description	782	783
1*	Stem, Oil Valve	45822x001	45822x001
2	Pin, Roll 1/8 Dia x 11/16 Lg.	7148x011	7148x011
3	Wheel, Oil Valve Pointer	44526A	44526A
4	Packing, O-Ring	7041x110	7041x110
5*	Spring, Oil Valve	1431	1431
6	Cap, Oil Valve	1092B	1092B
7*	Coupling, Oil Valve	1972B	1972B
8	Gasket, Oil Valve	1359	1359
9*	Disc, Oil Valve	1316E	1316F
10	Screw, Soc Hd Cap 1/4-20x2-1/2"Lg.	4 Req'd 6966x020	6966x020
10a	Nut, Hex 1/4-20	4 Req'd 7016	7016
10b	Washer, Std Med Spring Lock 1/4	4 Req'd 7103	7103
10c	Screw, Hex Hd Cap 1/4-20x1-1/2"Lg.	4 Req'd 6966x012	6966x012
11	Body, Valve	593A	593A
12	Screw, Fill. Hd Mach. #8-32x3/16" Lg.	4 Req'd 6980x003	6980x003

Key No.	Description		782	783
13	Dialplate, Oil Valve		3969	3969
14	Screw, Rd Hd "U" Drive #2 x 3/16"Lg.	7 Req'd	7008x003	7008x003
15	Dialplate, Air		5083	5083
16	Screw, Flat Hd Mach. #4-40 x 5/8" Lg.		6985x005	6985x005
17	Pin, Centering		1352	1352
18	Pin, Cleaning		2162	2162
19	Spring, Cleaning Pin		1427	1427
20	Nut, High Crown Acorn 3/8-16		7323	7323
21	Washer, Plain 13/32 I.D. x 13/16 O.D. x 16 Ga.		7071	7071
23	Nameplate, Burner		1176	1176
24	Screw, Soc Hd Cone Pt Set #10-32 x 3/8"Lg.	2 Req'd	6954x003	6954x003
25	Sleeve Assembly, Slot Protecting		14444	14445
26	Sleeve, Adjusting		6839A	6840A
27	Tube Extension		624B	625B
28	Body, Burner		571A	572A
29	Pin, Roll 1/8 Dia x 1/2" Lg.	2 Req'd	7148x008	7148x008
30	Screw, Hex Hd Cap 5/16-18 x 5/8" Lg.	7 Req'd	6939x005	6939x005
31	Nozzle, Outer Air		648A	649A
32	Nozzle, Inner Air		14650	14651
33	Nozzle, Oil		1189	1190
34	Screw, Fill. Hd Mach. 1/4-20 x 1/4" Lg.		6983x002	6983x002
35	Screw, Hex Hd Cap 1/4-20 x 1/2" Lg.	4 Req'd	6938x004	6938x004
36	Tube, Oil		1181	1182
37+	Clamp, Gas Nozzle	4 Req'd	4619	4619
38+	Screw, Hex Hd Cap 5/16-18 x 3/4"Lg.	4 Req'd	6939x006	6939x006
39	Screw Assembly, Inner Nozzle Operating		12004	12004
41	Backplate, Burner		988A	989A
42	Plug, Slotted Pipe 1/8 NPT		254	254
44	Gasket, Bleeder Connection		1400	1400
45	Connection, Bleeder		1397	1397
46	Plug, Sq Hd Pipe 1/4 NPT		7054	7054
47	Fitting, Alemite		20238	20238
48	Lever, Adjusting		936A	937A
49	Connection Assembly, Single Bearing		14149	14149
50	Lever Assembly, Quick Disconnect		11128	11128
51+	Link, Gas Valve		4996	4996
52+	Screw, Hex Hd Cap 3/8-16 x 1-1/4" Lg.		7236x010	7236x010
52a+	Washer, Plain 3/8 I.D. x 9/16 O.D. x 16Ga.	2 Req'd	7095	7095
52b+	Nut, Hex W/Nylon Insert 3/8-16		5913	5913
53+	Lever, Gas Valve		951A	951A
54+	Nameplate, Gas Valve		2610J	2610J
55+	Nut, Wing 3/8-16		7038	7038
57+	Valve Assembly, Gas		17981	17982
59+	Screw, Soc Hd Cap 5/16-18 x 5/8"Lg.	3 Req'd	6969x005	6969x005
60+	Nozzle, Gas		710C	711C
61	Nipple, 3/4 NPT x 2"Lg.		2563	2563
62	Union 3/8 NPT		14383	14383
63	Gasket, Permatex		11098	11098

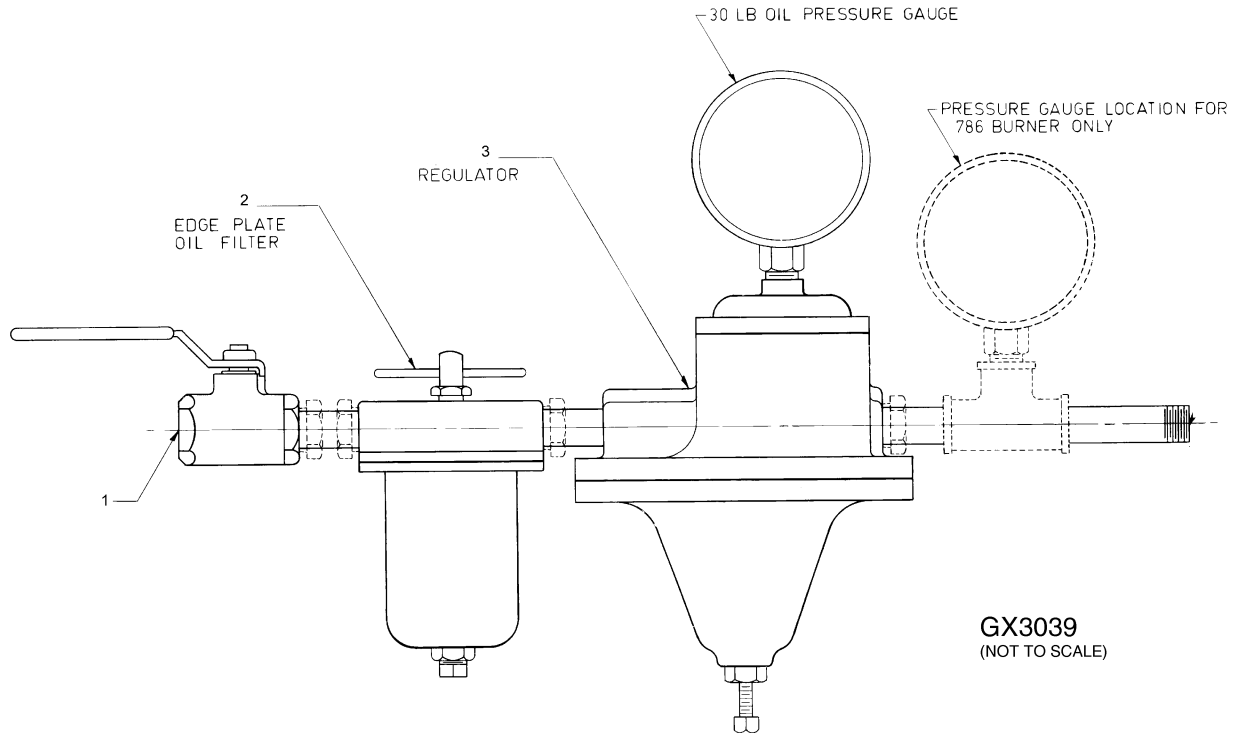
\* Disc. Assembly (Parts #1,5,7,9 & 16)

+ These Parts Are Used On 782PAC – 783PAC ONLY)

ASSEMBLIES

<u>Description</u>	<u>782</u>	<u>783</u>
Complete Internal Replacement Assembly.	38671	38675
Burner Backplate with Inner Air Nozzle.	38670	38676
Oil Valve with Oil Union, Bleeder Connection, Quick Disconnect Lever, Oil Tube and Oil Nozzle.	38669	38677
Oil Valve with oil Union, Bleeder Connection And Quick Disconnect Lever.	38668	38678
Oil Valve Only but Less Bleeder Connection, Oil Valve Lock Nut and Quick Disconnect Lever.	38667	38674

**REGULATOR SET-UP ASSEMBLY PARTS LIST**



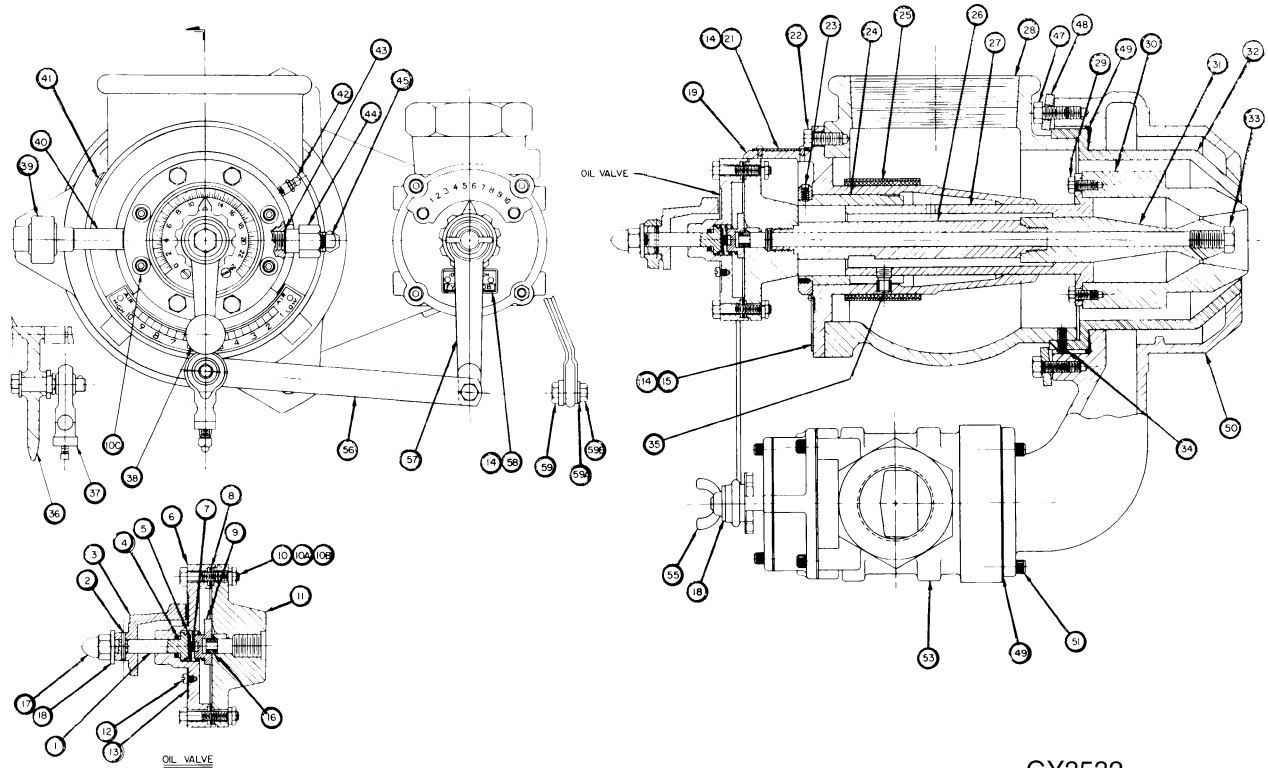
**Key**

<u>No.</u>	<u>Description</u>	<u>782</u>	<u>783</u>
1	Oil Shut-off Valve	41693	41693
2	Edge Plate Oil Filter	11043 (FEP103A)	11043 (FEP103A)
3	Oil Pressure Regulator W/Gauge	800865 (PRO4A)	800865 (PRO4A)

This page left intentionally blank.



**784P – 784PAC  
OIL & COMBINATION BURNERS**



**GY3532**  
(NOT TO SCALE)

**Key**

No.	Description		784
1	Stem, Oil Valve		45822x002
2	Pin, Roll 1/8 Dia x 11/16 Lg.		7148x011
3	Wheel, Oil Valve Pointer		44526A
4	Packing, O-Ring		7041x110
5	Spring, Oil Valve		1431
6	Cap, Oil Valve		1092B
7	Coupling, Oil Valve		1972B
8	Gasket, Oil Valve		1359
9	Disc, Oil Valve		1543A
10	Screw, Soc. Hd. Cap 1/4-20x1-1/2"Lg.	4 Req'd	6938x012
10a	Washer, Std. Medium Spring Lock 1/4"		7103
10b	Nut, Hex 1/4-20	4 Req'd	7016
10c	Screw, Hex Hd. Cap 1/4-20x2-1/2"Lg.	4 Req'd	6966x020
11	Body, Valve		12178
12	Screw, Oval Hd. Mach. #2-56x3/16" Lg.	2 Req'd	6986x001

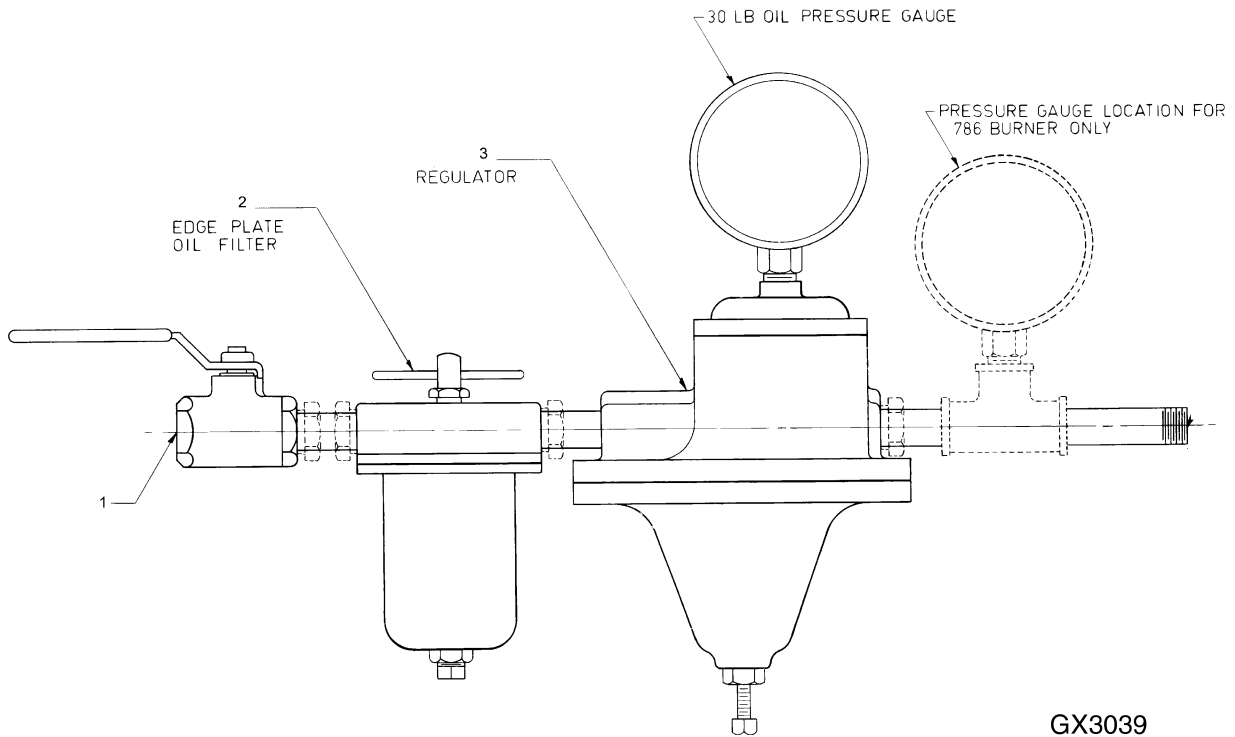
Key No.	Description		784
13	Dialplate, Oil Valve		1195
14	Screw, Rd. Hd. "U" Drive #2 x 3/16"Lg.	7 Req'd	7008x003
15	Dialplate, Air		5083
16	Pin, Oil Valve		1455
17	Nut, High Crown Acorn 3/8-16		7323
18	Washer, Plain 13/32 I.D. x 13/16 O.D. x 16 GA.		7071
19	Backplate, Burner		990A
21	Nameplate, Burner		1176
22	Screw, Hex Hd. Cap 3/8-16x3/4" Lg.	4 Req'd	6940x006
23	Screw, Soc. Hd. Cone Pt. Set #10-32 x 3/8"Lg.	2 Req'd	6954x003
24	Sleeve, Adjusting		6859A
25	Sleeve Assembly, Slot Protecting		14446
26	Tube, Oil		1183
27	Tube, Extension		626B
28	Body, Burner		573A
29	Screw, Hex Hd. Cap 5/16-18x1/2" Lg.	4 Req'd	6939x004
30	Nozzle, Inner Air		14652
31	Nozzle, Oil		1191
32	Nozzle, Outer Air		650A
33	Screw, Hex Hd. Cap 7/16-14x1/2" Lg.		6941x004
34	Screw, Air Nozzle	3 Req'd	1231B
35	Screw, Assembly, Inner Nozzle Operating		12005
36	Lever, Adjusting		938A
37	Connector Assembly, Single Bearing		14149
38	Lever Assembly, Quick Disconnect		11128
39	Union, 1/2 NPT		14384
40	Nipple, 1/2 NPT x 2" Lg.		437
41	Plug, Slotted Pipe 1/8 NPT		254
42	Fitting, Alemite		20238
43	Gasket, Bleeder Connection		1400
44	Connection, Bleeder		1397
45	Plug, Sq. Hd. Pipe 1/4 NPT		7054
47	Screw, Hex Hd. Cap 5/16-18 x 3/4" Lg.	6 Req'd	6939x006
48+	Clamp	6 Req'd	5170
49+	Gasket, Permatex		11098
50+	Nozzle, Gas		712C
51+	Screw, Soc. Hd. Cap 5/16-18 x 3/4" Lg.	3 Req'd	6969x006
53+	Valve Assembly, Gas FVA 9A20C		17982
55+	Nut, Wing 3/8-16		7038
56+	Link, Gas Valve		4996
57+	Lever, Gas Valve		953A
58+	Nameplate, Gas Valve		2610J
59+	Screw, Hex Hd Cap 3/8-16 x 1-1/4" Lg.		7236x010
59a+	Washer, Plain 3/8 I.D. x 9/16 O.D. x 16Ga.	2 Req'd	7095
59b+	Nut, Hex W/Nylon Insert 3/8-16		5913

+ These Parts Are Used On 784PAC Only

**ASSEMBLIES**

<u>Description</u>	<u>784</u>
Complete Internal Replacement Assembly.	38696
Burner Backplate with Inner Air Nozzle.	38695
Oil Valve with Oil Union, Bleeder Connection, Quick Disconnect Lever, Oil Tube and Oil Nozzle.	38694
Oil Valve with Oil Union, Bleeder Connection And Quick Disconnect Lever.	38693
Oil Valve Only but Less Bleeder Connection, Oil Valve Lock Nut and Quick Disconnect Lever.	38692

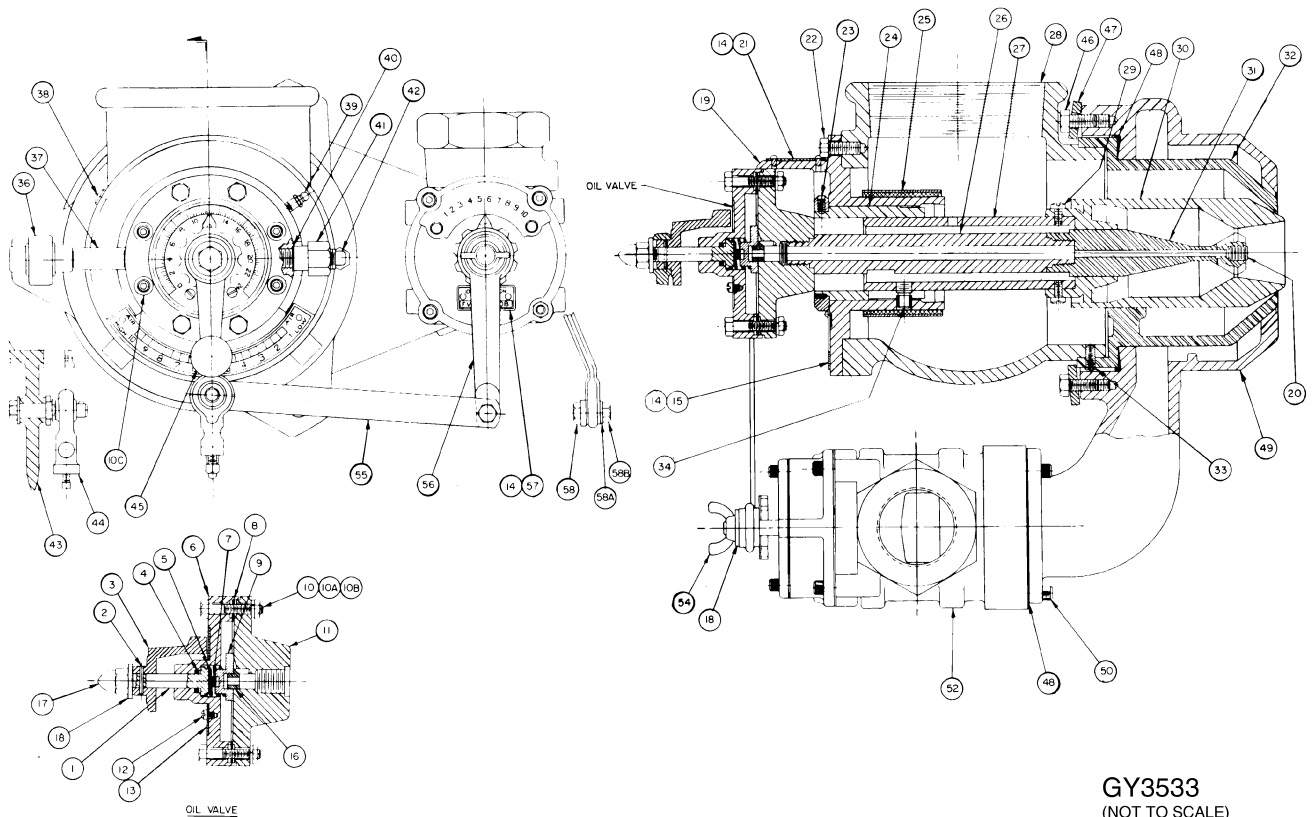
**REGULATOR SET-UP ASSEMBLY PARTS LIST**



Key		
<u>No.</u>	<u>Description</u>	<u>784</u>
1	Oil Shut-off Valve	41694
2	Edge Plate Oil Filter	11043 (FEP103A)
3	Oil Pressure Regulator W/Gauge	800865 (PRO4A)

This page left intentionally blank.

**785P – 785PAC  
OIL & COMBINATION BURNERS**



**GY3533**  
(NOT TO SCALE)

**Key**

<u>No.</u>	<u>Description</u>		<u>785</u>
1	Stem, Oil Valve		45822x002
2	Pin, Roll 1/8 Dia x 11/16 Lg.		7148x011
3	Wheel, Oil Valve Pointer		44526A
4	Packing, O-Ring		7041x110
5	Spring, Oil Valve		1431
6	Cap, Oil Valve		1092B
7	Coupling, Oil Valve		1972B
8	Gasket, Oil Valve		1359
9	Disc, Oil Valve		1543A
10	Screw, Soc. Hd. Cap 1/4-20x1-1/2"Lg.	4 Req'd	6938x012
10a	Washer, Std. Medium Spring Lock 1/4"	4 Req'd	7103
10b	Nut, Hex 1/4-20	4 Req'd	7305
10c	Screw, Hex Hd. Cap 1/4-20x2-1/2"Lg.	4 Req'd	6966x020
11	Body, Valve		12180
12	Screw, Oval Hd. Mach. #2-56x3/16" Lg.	2 Req'd	6986x003

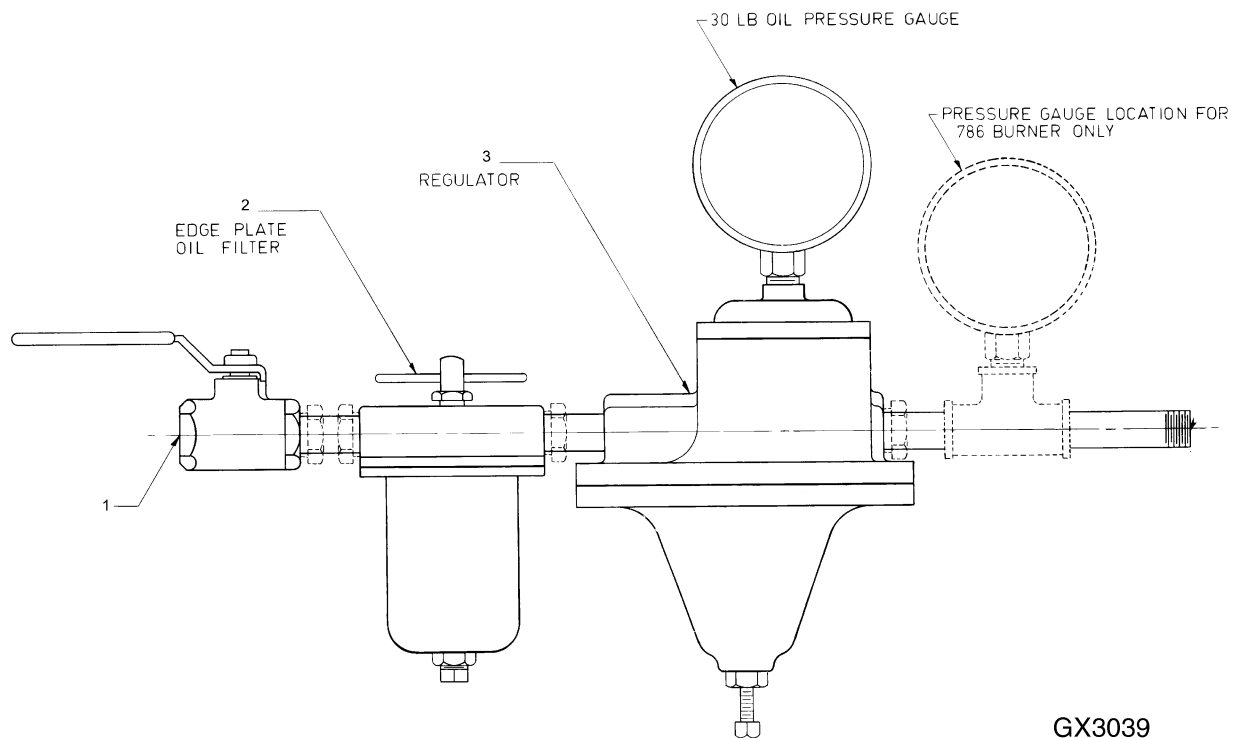
Key No.	Description		785
13	Dialplate, Oil Valve		1195
14	Screw, Rd. Hd. "U" Drive #2 x 3/16"Lg.	7 Req'd	7008x003
15	Dialplate, Air		5083
16	Pin, Oil Valve		2156
17	Nut, High Crown Acorn 3/8-16		7323
18	Washer, Plain 13/32 I.D. x 13/16 O.D. x 16 GA.		7071
19	Backplate, Burner		990C
20	Screw, Soc. Hd. Cup Pt. Set 3/8-16x3/8" Lg.		6960x003
21	Nameplate, Burner		1176
22	Screw, Hex Hd. Cap 3/8-16x3/4" Lg.	4 Req'd	6940x006
23	Screw, Soc. Hd. Cone Pt. Set #10-32x3/8"Lg.	2 Req'd	6954x003
24	Sleeve, Adjusting		6859B
25	Sleeve Assembly, Slot Protecting		14446
26	Tube, Oil		1184
27	Tube, Extension		5277
28	Body, Burner		573A
29	Screw, Fill. Hd. Mach. 1/4-20x1/2" Lg.	4 Req'd	6983x004
30	Nozzle, Inner Air		37583
31	Nozzle, Oil		1192B
32	Nozzle, Outer Air		651A
33	Screw, Air Nozzle	3 Req'd	1231B
34	Screw Assembly, Inner Nozzle Operating		12005
36	Union, 1/2 NPT		14384
37	Nipple, 1/2 NPT x 2" Lg.		437
38	Plug, Slotted Pipe 1/8 NPT		254
39	Fitting, Alemite		20238
40	Gasket, Bleeder Connection		1400
41	Connection, Bleeder		1397
42	Plug Sq. Hd. Pipe 1/4 NPT		7054
43	Lever, Adjusting		938A
44	Connector Assembly, Single Bearing		14149
45	Lever Assembly, Quick Disconnect		11128
46+	Screw, Hex Hd. Cap 5/16-18x3/4" Lg.	6 Req'd	6939x006
47+	Clamp, Gas Nozzle	6 Req'd	5170
48+	Gasket, Permatex		11098
49+	Nozzle, Gas		712H
50+	Screw, Soc Hd. Cap 5/16-18x3/4"Lg.	3 Req'd	6969x006
52+	Valve Assembly, Gas FVA 9A20C		17982
54+	Nut, Wing 3/8-16		7038
55+	Link, Gas Valve		4996
56+	Lever, Gas Valve		953A
57+	Nameplate, Gas Valve		2610J
58+	Screw, Hex Hd Cap 3/8-16 x 1-1/4" Lg.		7236x010
58a+	Washer, Plain 3/8 I.D. x 9/16 O.D. x 16Ga.	2 Req'd	7095
58b+	Nut, Hex W/Nylon Insert 3/8-16		5913

+ These Parts Are Used On 785PAC Only

**ASSEMBLIES**

<u>Description</u>	<u>785</u>
Complete Internal Replacement Assembly.	38701
Burner Backplate with Inner Air Nozzle.	38700
Oil Valve with Oil Union, Bleeder Connection, Quick Disconnect Lever, Oil Tube and Oil Nozzle.	38699
Oil Valve with Oil Union, Bleeder Connection And Quick Disconnect Lever.	38698
Oil Valve Only but Less Bleeder Connection, Oil Valve Lock Nut and Quick Disconnect Lever.	38697

**REGULATOR SET-UP ASSEMBLY PARTS LIST**



GX3039  
(NOT TO SCALE)

Key		<u>785</u>
<u>No.</u>	<u>Description</u>	
1	Oil Shut-off Valve	41694
2	Edge Plate Oil Filter	11045 (FEP107A)
3	Oil Pressure Regulator W/Gauge	800866 (PRO5A)

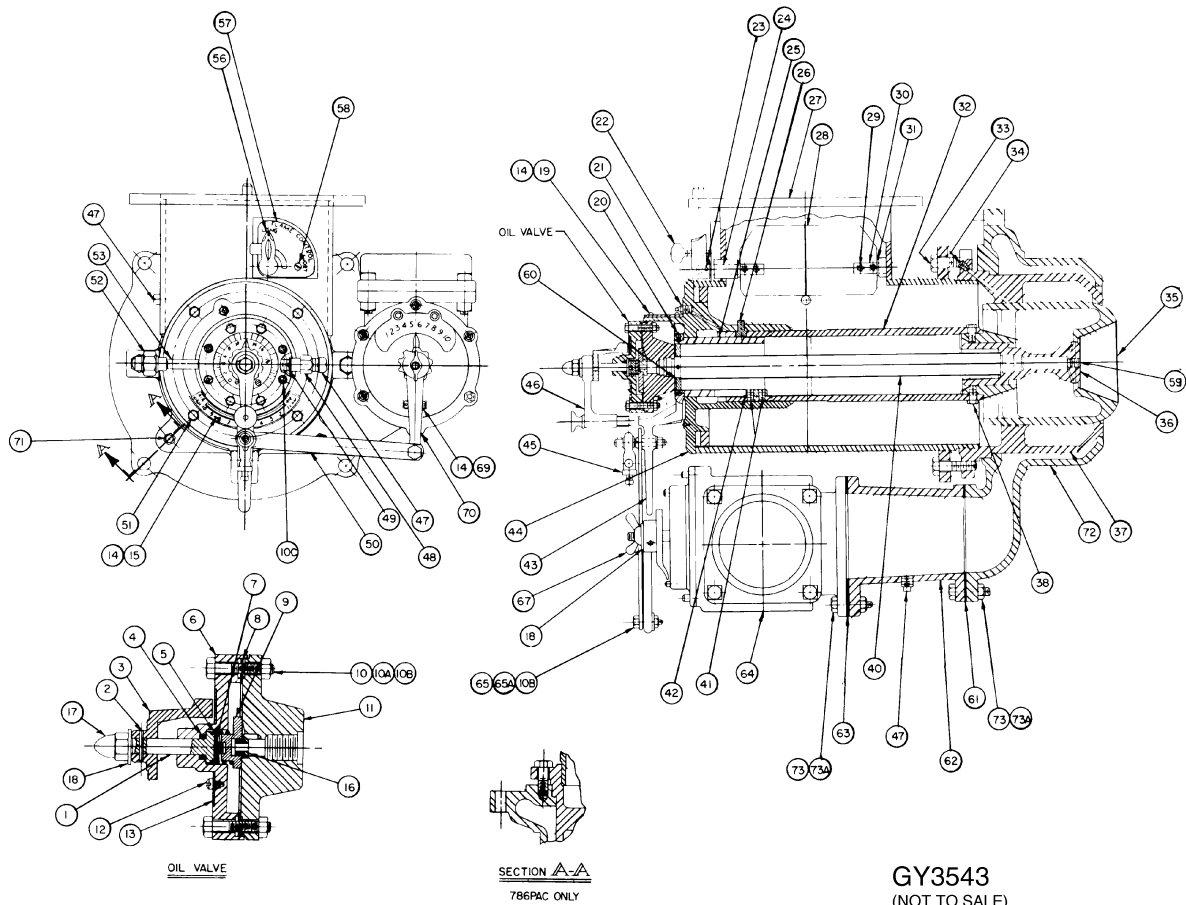
This page left intentionally blank.





# PARTS LIST

## 786P – 786PAC OIL & COMBINATION BURNERS



GY3543  
(NOT TO SALE)

### Key

No.	Description	786
1	Stem, Oil Valve	45822x002
2	Pin, Roll 1/8 Dia x 11/16 Lg.	7148x011
3	Wheel, Oil Valve Pointer	44526A
4	Packing, O-Ring	7041x110
5	Spring, Oil Valve	1431
6	Cap, Oil Valve	1092B
7	Coupling, Oil Valve	1972A
8	Gasket, Oil Valve	1359
9	Disc, Oil Valve	1543A
10	Screw, Soc. Hd. Cap 1/4-20x1-1/2"Lg.	4 Req'd 6938x012
10a	Washer, Std. Medium Spring Lock 1/4"	4 Req'd 7103
10b	Nut, Hex 1/4-20	4 Req'd 7305
10c	Screw, Hex Hd. Cap 1/4-20x2-1/2"Lg.	4 Req'd 6966x020
11	Body, Oil Valve	14709
12	Screw, Oval Hd. Mach. #2-56x3/16" Lg.	2 Req'd 6986x003

Key No.	Description		786
13	Dialplate, Oil Valve		1195
14	Screw, Rd. Hd. "U" Drive #2 x 3/16"Lg.	7 Req'd	7008x003
15	Dialplate, Air		5083
16	Pin, Oil Valve		2156
17	Nut, High Crown Acorn 3/8-16		7323
18	Washer, Plain 13/32 I.D. x 13/16 O.D. x 16 GA.		7071
19	Nameplate, Burner		1176
20	Screw, Hex Soc. Cone Pt. Set 10-32x3/8" Lg.	2 Req'd	6954x003
21	Fitting, Grease 30 Tip		43392
22	Screw, Thumb 1/4-20x1-1/4" Lg.	4 Req'd	6988x010
23	Pin, Roll 1/8 Dia. 13/16" Lg.		7148x013
24	Shaft, Flame Control Front		2547
25	Sleeve, Adjusting		6859A
26	Pin, Extension Tube		43097
27	Body, Burner		13156A
28	Vane, Flame Control		5290
29	Screw, Rd. Hd. Mach.1/4-20		6974x
30	Shaft, Flame Control Rear		2546
31	Washer, Plain 1/2 I.D.	2 Req'd	---
32	Tube, Extension		1691
33	Screw, Hex Hd. Cap 1/2-13x1-3/4" Lg.	4 Req'd	6942x014
34	Fitting, Alemite		13215
35	Nozzle, Inner Air		645B
36	Nozzle, Oil		1864B
37	Nozzle, Outer Air		652A
38	Screw, Hex Hd. Cap 5/16-18x5/8" Lg.	2 Req'd	6939x005
40	Tube, Oil		1870
41	Screw, Hex Soc. Flat Hd. Cap 1/4-28x1/2"Lg.	2 Req'd	7187x004
42	Key, Straight		2774
43	Lever, Adjusting		1715A
44	Backplate, Burner		992A
45	Connector Assembly, Single Bearing		14149
46	Lever, Quick Disconnect		11129
47	Plug, 1/4 NPT Sq. Hd. Pipe		7054
48	Connection, Bleeder		1397
49	Gasket, Bleeder Connection		1400
50+	Link, Gas Valve		4997
51	Screw, Hex Hd. Cap 3/8-16x 1-1/4" Lg.	4 Req'd	6940x010
52	Union, 1/2 NPT		14384
53	Nipple, 1/2 NPT x 2" Lg.		437
56	Pointer, Flame Control		1719A
57	Dialplate, Flame Control		1717
58	Screw, Flat Hd. Mach. #6-32x3/16" Lg.		7188x003
59	Screw, Soc. Cup Pt. Set 3/8-16x3/8" Lg.		6960x003
60	Disc, Air Seal		2499
61+	Gasket, Permatex		11098
62+	Nipple, 4x3 Flanged Reducing		59196
63+	Gasket, Gas Valve		4124
64+	Valve Assembly, Gas FVA 9A30F		18003
65+	Screw, Hex Hd Cap 3/8-16 x 1-1/4" Lg.		7236x010
65a+	Washer, Plain 3/8 I.D. x 9/16 O.D. x 16Ga.	2 Req'd	7095
65b	Nut, Hex W/Nylon Insert 3/8-16		5913

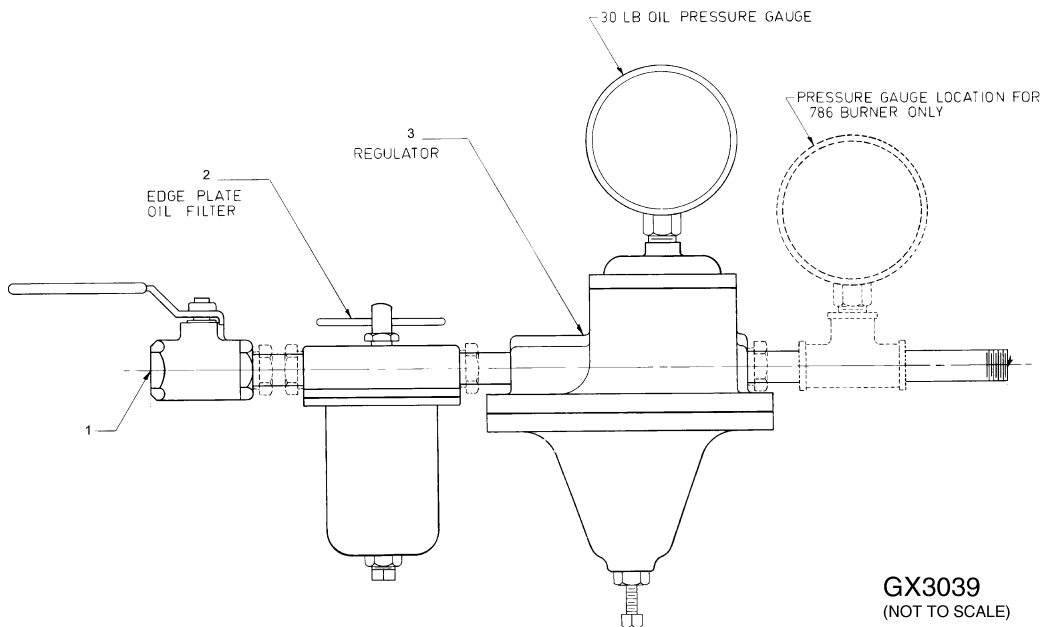
<u>Key No.</u>	<u>Description</u>		<u>786</u>
67+	Nut, Wing 3/8-16		7038
69+	Nameplate, Gas Valve		2610J
70+	Lever, Gas Valve		951A
71+	Screw, Hex Hd. Cap 1/2-13x1-1/4"Lg.	4 Req'd	6942x010
72+	Nozzle, Gas		1722C
73+	Screw, Hex Hd. Cap 3/8-16x1-1/2" Lg.	8 Req'd	6940x012
73a+	Nut, Hex Heavy 3/8-16	8 Req'd	7023

+ These Parts Are Used On 786PAC Only

### ASSEMBLIES

<u>Description</u>	<u>786</u>
Complete Internal Replacement Assembly.	41359
Burner Backplate with Inner Air Nozzle.	41360
Oil Valve with Oil Union, Bleeder Connection, Quick Disconnect Lever, Oil Tube and Oil Nozzle.	41361
Oil Valve with Oil Union, Bleeder Connection And Quick Disconnect Lever.	41362
Oil Valve Only but Less Bleeder Connection, Oil Valve Lock Nut and Quick Disconnect Lever.	41358

### REGULATOR SET-UP ASSEMBLY PARTS LIST



<u>Key No.</u>	<u>Description</u>	<u>786</u>
1	Oil Shut-off Valve	41694
2	Edge Plate Oil Filter	11045
3	Oil Pressure Regulator W/Gauge	(FEP107A) 801124 (1000LP)

This page left intentionally blank.