

Applicationbrief

Eclipse Product: TFB-CGO
Submitted by: Guy BLONDEAU / Mike DEBIER
Application: Destruction of ammunitions
Fuel: Light-oil
Capacity: 700 kW
Operating temperature: 500°C
Customer: New Lachaussee/Belgium

Background: Destruction of ammunition

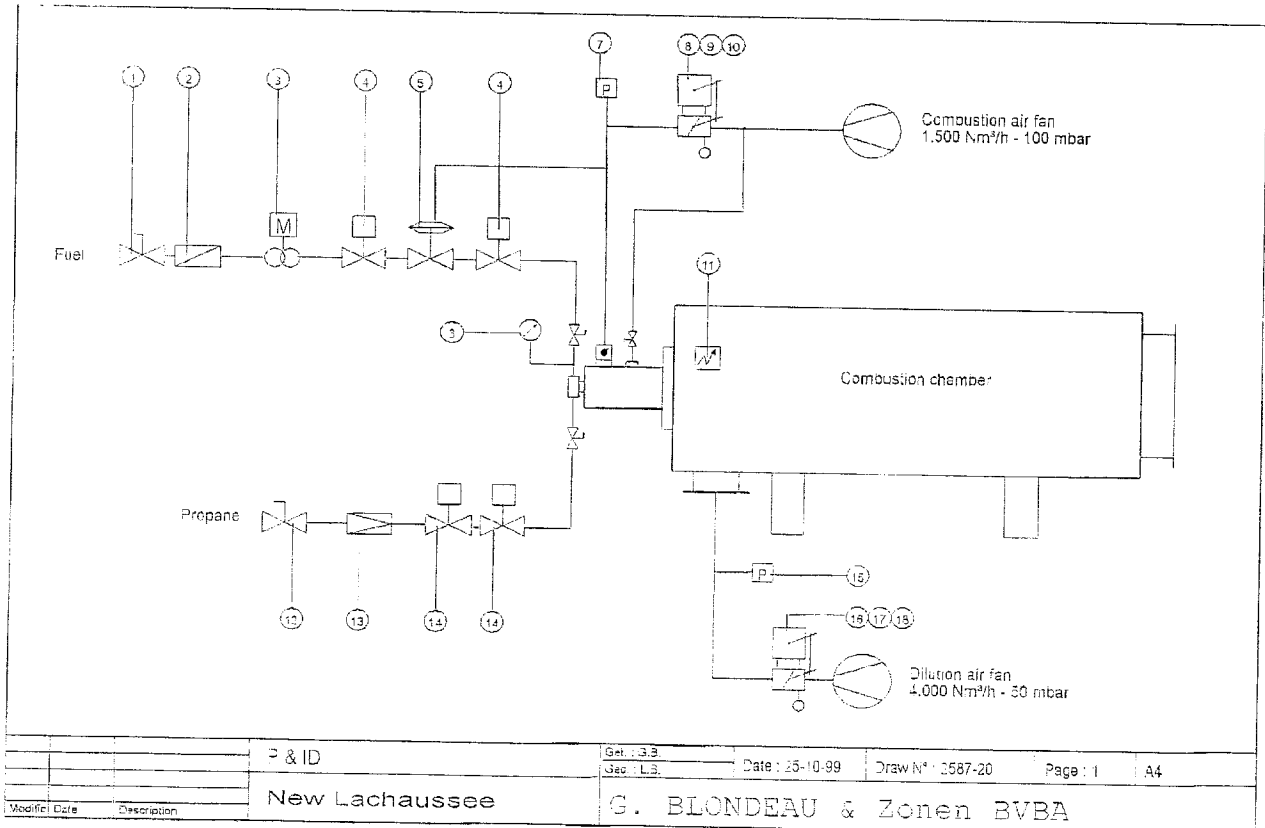
This unit is designed to destroy bullets up to .50 caliber by submitting them to a temperature ranging from 400 to 500°C. Larger calibers are transported one at a time on a conveyer, while smaller calibers are transported in complete boxes.

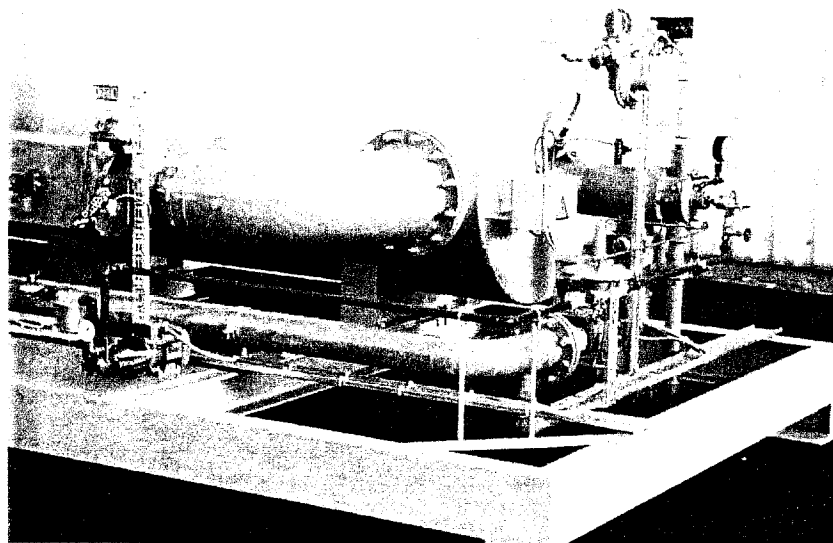
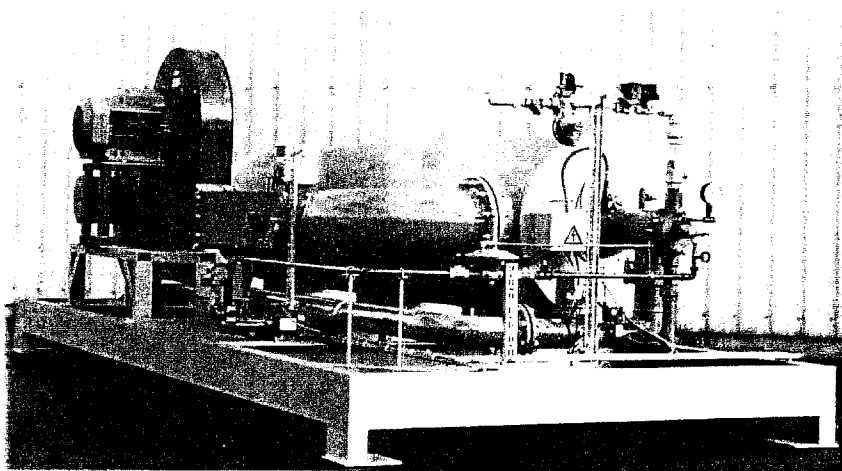
The unit is installed in Saudi-Arabia

Another unit is expected for larger calibers.

Description: The unit consists of a hot gas generator fired by one 166-48TFB-CGO rated at 700 kW. The system includes the generator, the combustion air supply, the oil line with ratio control, the propane pilot and the secondary dilution fan. You will notice the large capacity of the dilution fan. This is required to keep the process temperature under control (by tempered cooling) when the bullets are exploding.

Flow-sheet and pictures:





ECLIPSE
Innovative Thermal Solutions

Eclipse Combustion
www.eclipsenet.com
ISO 9001 Registered