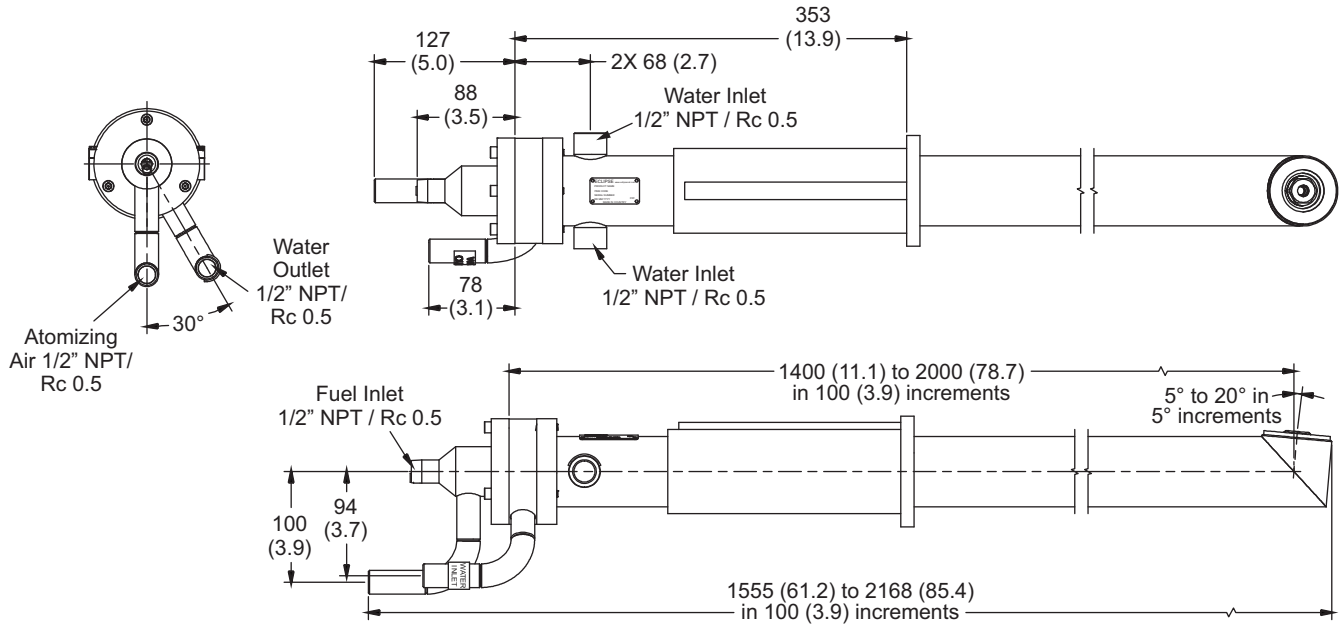


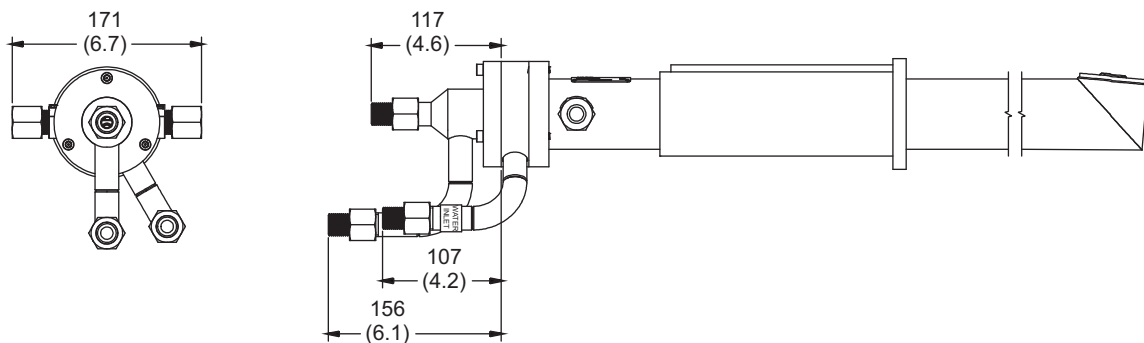
Eclipse WTPU Throughport Oil Burners

Version 1

NPT OPTION



BSP OPTION



Parameter	Specification
Oil Pressure, psig (barg)	40.6 (2.8)
Oil Viscosity, SSU (cSt)	160 (< 30) maximum
Atomizing Air Pressure, psig (barg)	40.6 (2.8)
Nozzle Range, US gal/h (L/h)	120-180 (455-680)
Atomizing Air Quantity, lb/lb oil (kg/kg oil)	0.3 (0.3)
Cooling Water Flow, US gal/min (L/min)	12 (45)
Cooling Water Pressure Drop, psi (bar)	12.3 (0.85)
Water Outlet Temperature, °F (°C)	140 (60) maximum
Water Temperature Rise, °F (°C)	27 (15) maximum
Water Condition	< 30 ppm hardness < 1 ppm dissolved oxygen pH between 7.5 and 8.5
Insertion Hole Diameter, inches (mm)	4.5 (115)
Burner Length*, inches (mm)	55 to 79 (1400 to 2000)
Firing Angle**	5° to 20°

*4 inch (100 mm) increments.

**5° increments

Nozzle Reference Chart

Nozzle Reference	Capacity		Atomizing Air Flow	
	L/h	US gal/h	Nm ³ /h	SCFH
W2/20/12/8	455	120	109	4146
W2/24/12/8	545	144	131	4983
W2/28/12/8	635	168	152	5782
W2/30/12/8	680	180	163	6200

- Standard conditions: 1 atmosphere, 70°F (21°C)
- Normal conditions: 1 atmosphere, 32°F (0°C)
- Eclipse reserves the right to change the construction and/or configuration of our products at any time without being obliged to adjust earlier supplies accordingly.