

Eclipse BrightFire

Burners

Model BRT Size G

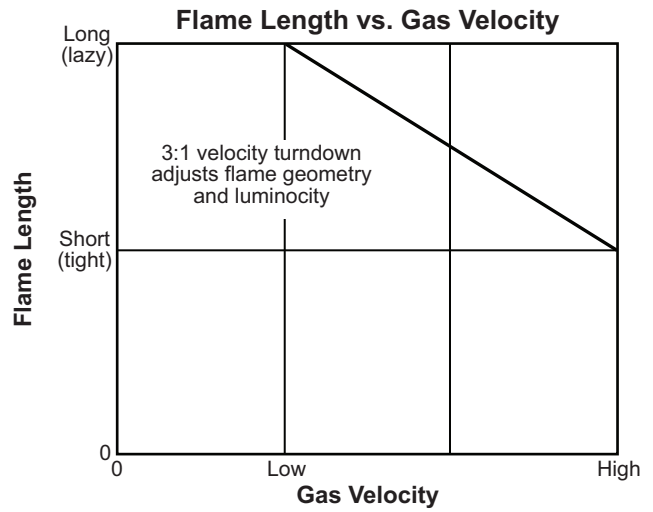
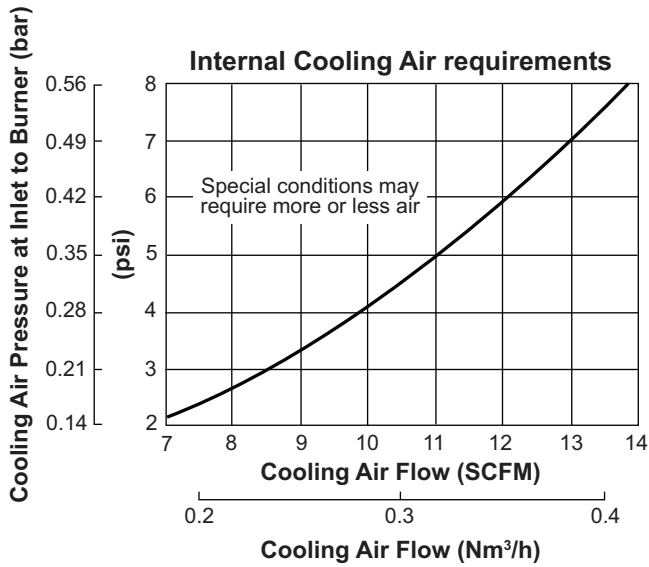
Gross Input ¹ , MM Btu/h (kW)	Velocity Range, ft/s (m/s)	Gas Pressure Required ² "w.c. (mbar)	BRT Gas Flow Curve	Atomizing Air Flow ³ , SCFM (Nm ³ /h)
2 (586)	200-600 (61-183)	51 (127)	1110-1	13 (0.34)
3 (879)	200-600 (61-183)	49 (122)	1110-2	20 (0.53)
3 (879)	400-1000 (122-305)	155 (386)	1110-3	20 (0.53)
3 (879)	267-801 (81-244)	90 (224)	1110-4	20 (0.53)
4 (1172)	200-600 (61-183)	45 (112)	1110-5	26 (0.68)
4 (1172)	400-1000 (122-305)	138 (344)	1110-6	26 (0.68)
4 (1172)	267-801 (81-244)	82 (204)	1110-7	26 (0.68)
5 (1465)	200-600 (61-183)	48 (120)	1110-8	33 (0.87)
5 (1465)	400-1000 (122-305)	127 (316)	1110-9	33 (0.87)
5 (1465)	267-801 (81-244)	82 (204)	1110-10	33 (0.87)
6 (1758)	200-600 (61-183)	47 (117)	1110-11	40 (1.05)
6 (1758)	400-1000 (122-305)	132 (329)	1110-12	40 (1.05)
6 (1758)	267-801 (81-244)	88 (219)	1110-13	40 (1.05)
7 (2051)	200-600 (61-183)	46 (115)	1110-14	46 (1.21)
7 (2051)	400-1000 (122-305)	131 (326)	1110-15	46 (1.21)
7 (2051)	267-801 (81-244)	85 (212)	1110-16	46 (1.21)
8 (2344)	200-600 (61-183)	44 (110)	1110-17	53 (1.39)
8 (2344)	400-1000 (122-305)	140 (349)	1110-18	53 (1.39)
8 (2344)	267-801 (81-244)	85 (212)	1110-19	53 (1.39)
9 (2637)	400-1000 (122-305)	136 (339)	1110-20	59 (1.55)
9 (2637)	267-801 (81-244)	82 (204)	1110-21	59 (1.55)
10 (2930)	400-1000 (122-305)	135 (336)	1110-22	66 (1.73)
10 (2930)	267-801 (81-244)	82 (204)	1110-23	66 (1.73)
Atomizing Air Pressure (nominal requirement for rated input)			psi	bar
• < 40 SSU, #2 diesel / light oil			25	1.6
• 40 - 125 SSU, heated heavy oil			35	2.4
• 125 - 225 SSU, heated heavy oil			50	3.5
Internal Cooling Air Requirement			See page 2	
External Cooling Air Requirement			200 SCFM	340 Nm ³ /h
Materials: Burner body / Inner nozzle / Outer nozzle			304 SS / 440 SS / Ductile Iron	

¹ Inputs based on gross calorific value natural gas; 1000 Btu/ft³ at standard conditions (40 MJ/m³ at normal conditions) and SG = 0.60.

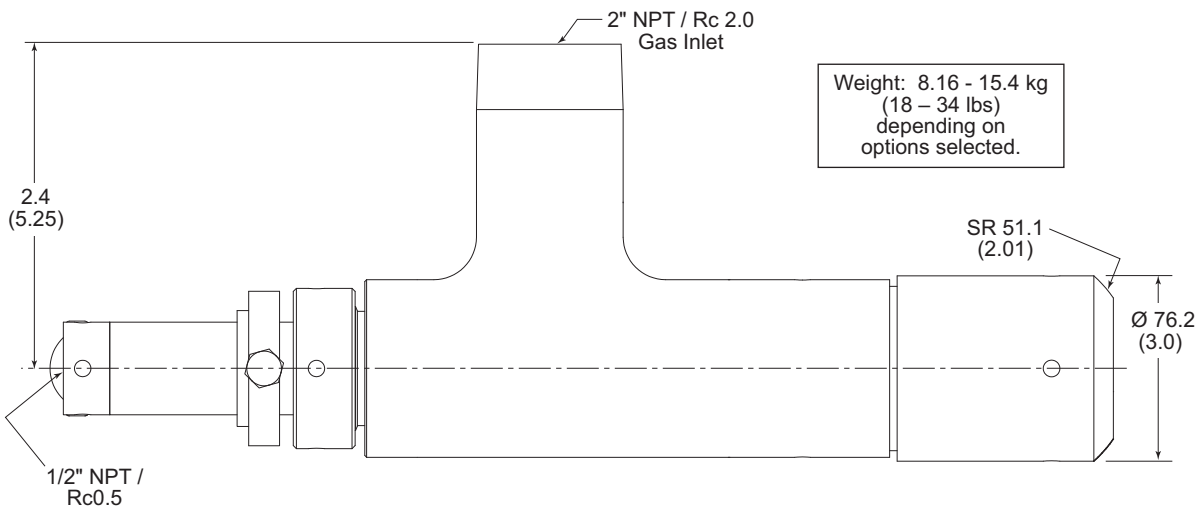
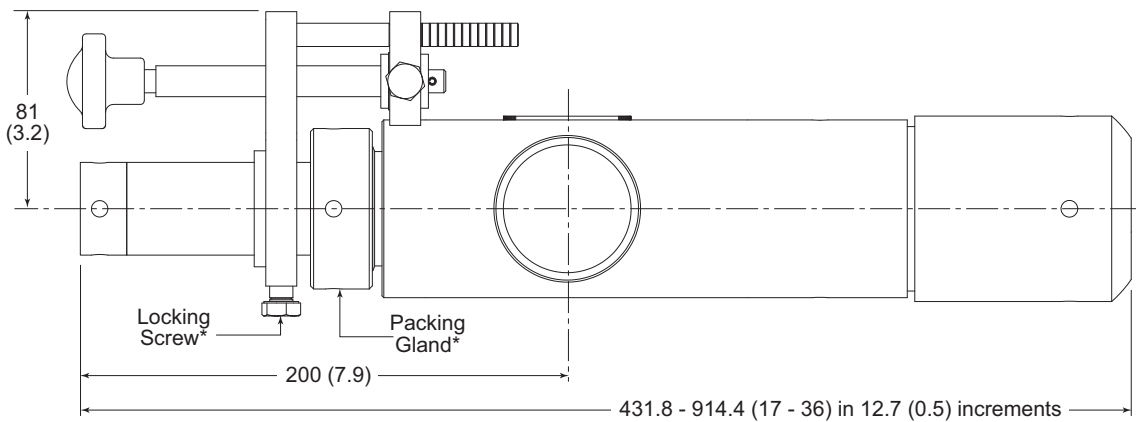
² Gas pressure required at the gas inlet to the burner for rated gross input and maximum velocity.

³ Nominal atomizing air flow at 35 psi (2.4 bar).

Specifications

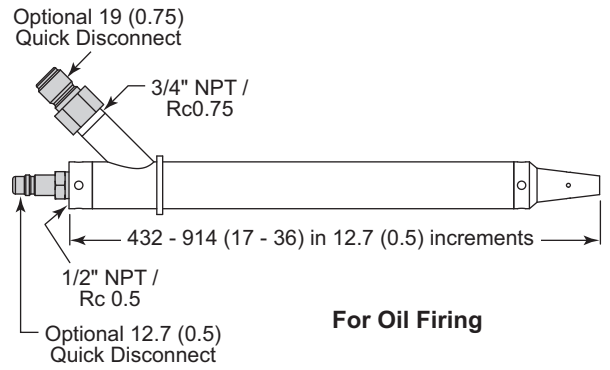
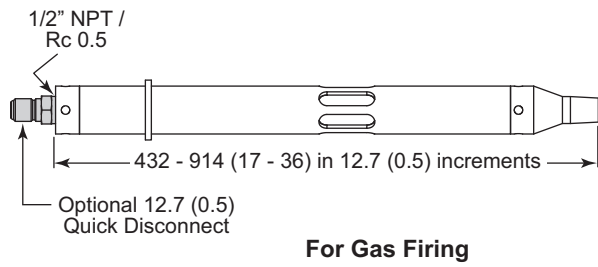


Dimensions

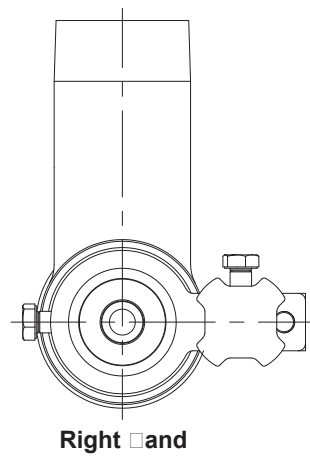
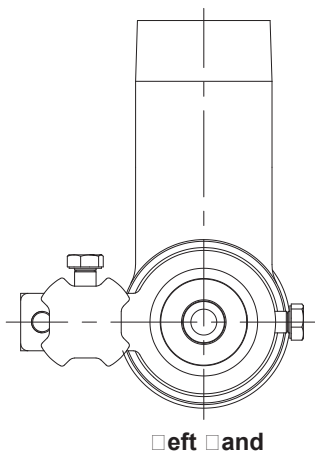


* Loosen to remove air tube

Spare Air Tube



Adjusting Screw



Configurations

