

Furnace Monitoring System

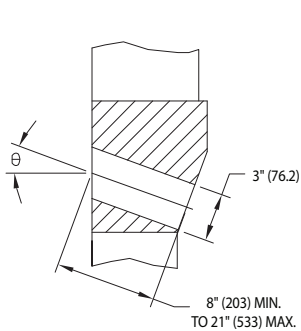
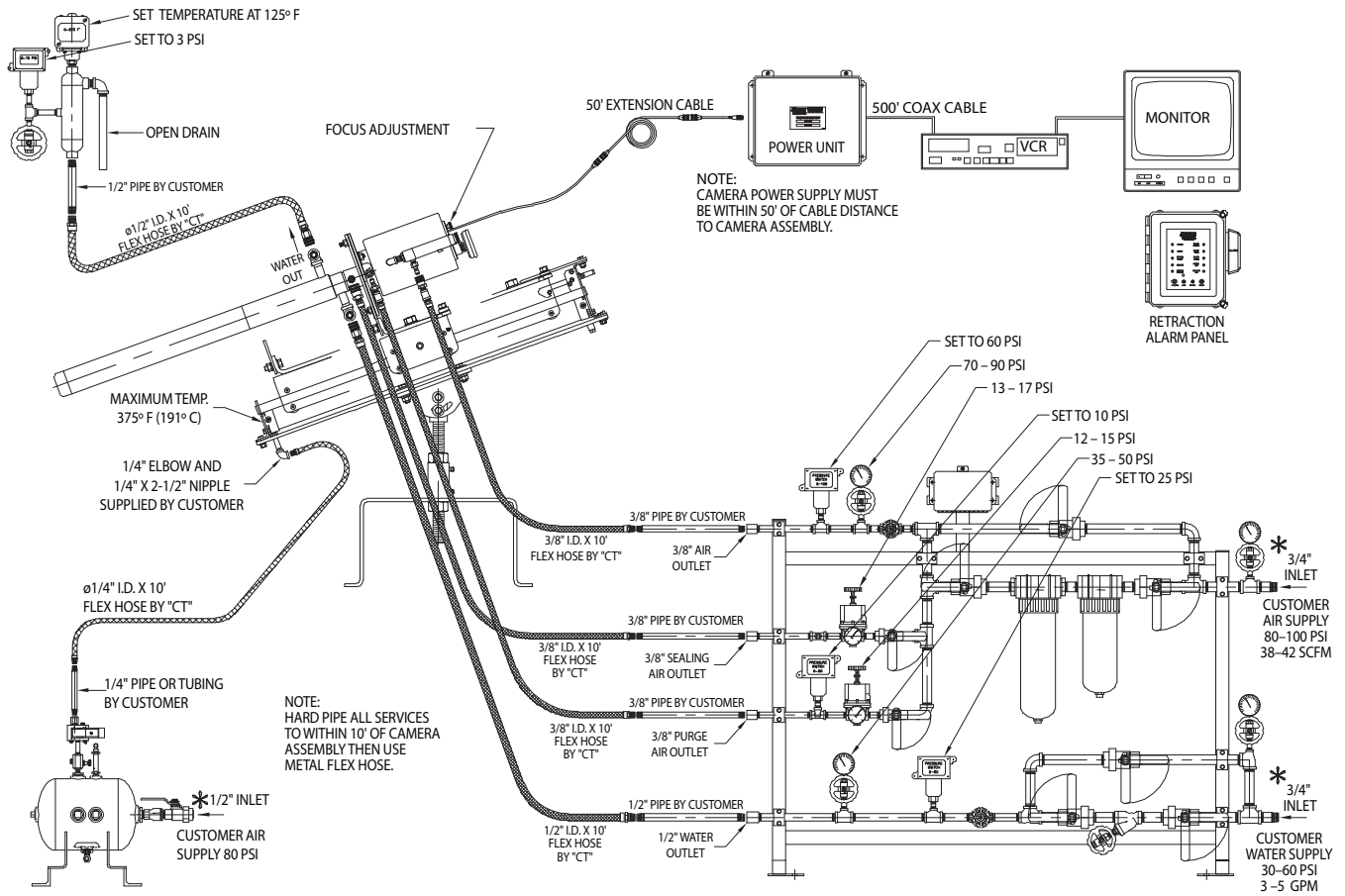
CCTV Series

Water Cooled Systems

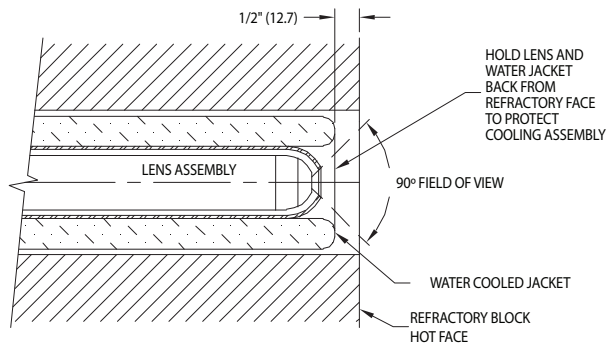
1-1/2" Water and Air Cooled Lens with 2-3/4" Water Jacket for 3" Camera Block		
Total Instrument Air	38 - 42 scfm, 80 - 100 psig	1.0 - 1.12 Nm ³ /m, 5.5 - 6.9 bar
Lens Purge Air	12 - 15 scfm, 12 - 15 psig	0.32 - 0.40 Nm ³ /m, 0.82 - 1.0 bar
Lens Sealing Air	13 - 17 scfm, 13 - 17 psig	0.34 - 0.45 Nm ³ /m, 0.89 - 1.17 bar
Camera Cooling Air	8 - 10 scfm, 70 - 90 psig	0.21 - 0.26 Nm ³ /m, 4.8 - 6.2 bar
Retraction Cylinder Air	80 - 100 psig	5.5 - 6.9 bar
Water	3 - 5 GPM, 30 - 60 psig	11 - 19 lpm, 2.0 - 4.1 bar
1-1/2" Water and Oxygen Cooled Lens with 2-3/4" Water Jacket for 3" Camera Block		
Total Instrument Air	10 - 12 scfm, 80 - 100 psig	0.26 - 0.32 Nm ³ /m, 5.5 - 6.9 bar
Lens Purge Oxygen	8 - 12 scfm, 5 - 8 psig	0.21 - 0.32 Nm ³ /m, 0.34 - 0.55 bar
Lens Sealing Oxygen	8 - 12 scfm, 5 - 8 psig	0.21 - 0.32 Nm ³ /m, 0.34 - 0.55 bar
Camera Cooling Air	8 - 10 scfm, 70 - 90 psig	0.21 - 0.26 Nm ³ /m, 4.8 - 6.2 bar
Retraction Cylinder Air	80 - 100 psig	5.5 - 6.9 bar
Water	3 - 5 GPM, 30 - 60 psig	11 - 19 lpm, 2.0 - 4.1 bar
Power	120 V 50/60 Hz	
	220 V 50/60 Hz	
Video Format Signal	NTSC - color	
	PAL - color	
	EIA - black and white	
	CCIR - black and white	
Monitor	12 inch - black and white	
	13 inch - color	
	Optional larger sizes available	
DVD Recorder	Time lapse video recording	

System Layout

1-1/2" Water and Air Cooled Lens with 2-3/4" Water Jacket for 3" Camera Block

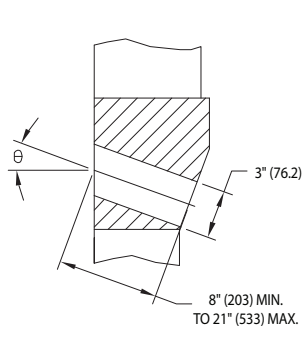
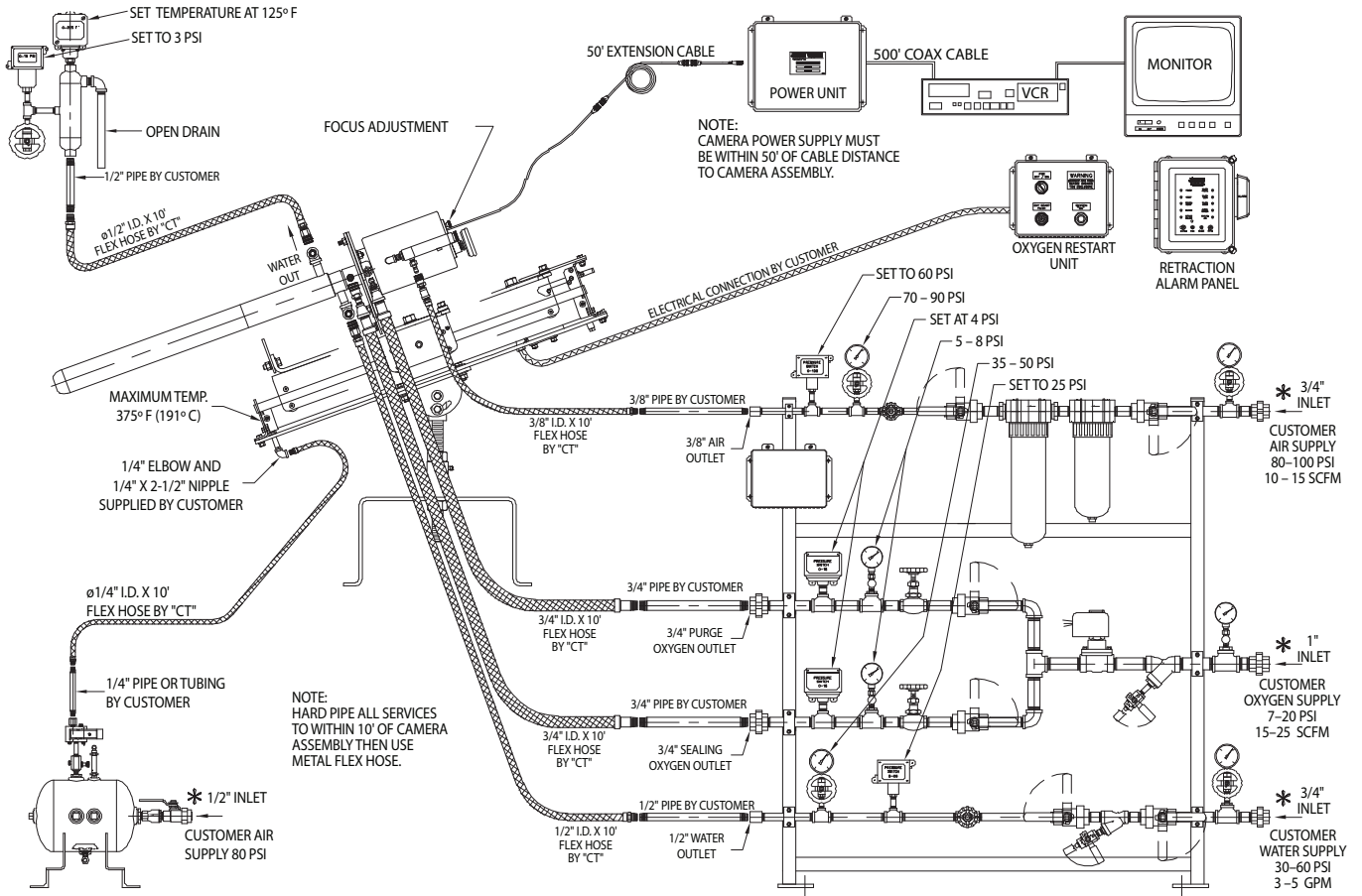


CAMERA BLOCK



System Layout

1-1/2" Water and Oxygen Cooled Lens with 2-3/4" Water Jacket for 3" Camera Block



CAMERA BLOCK

