

# Furnace Monitoring System

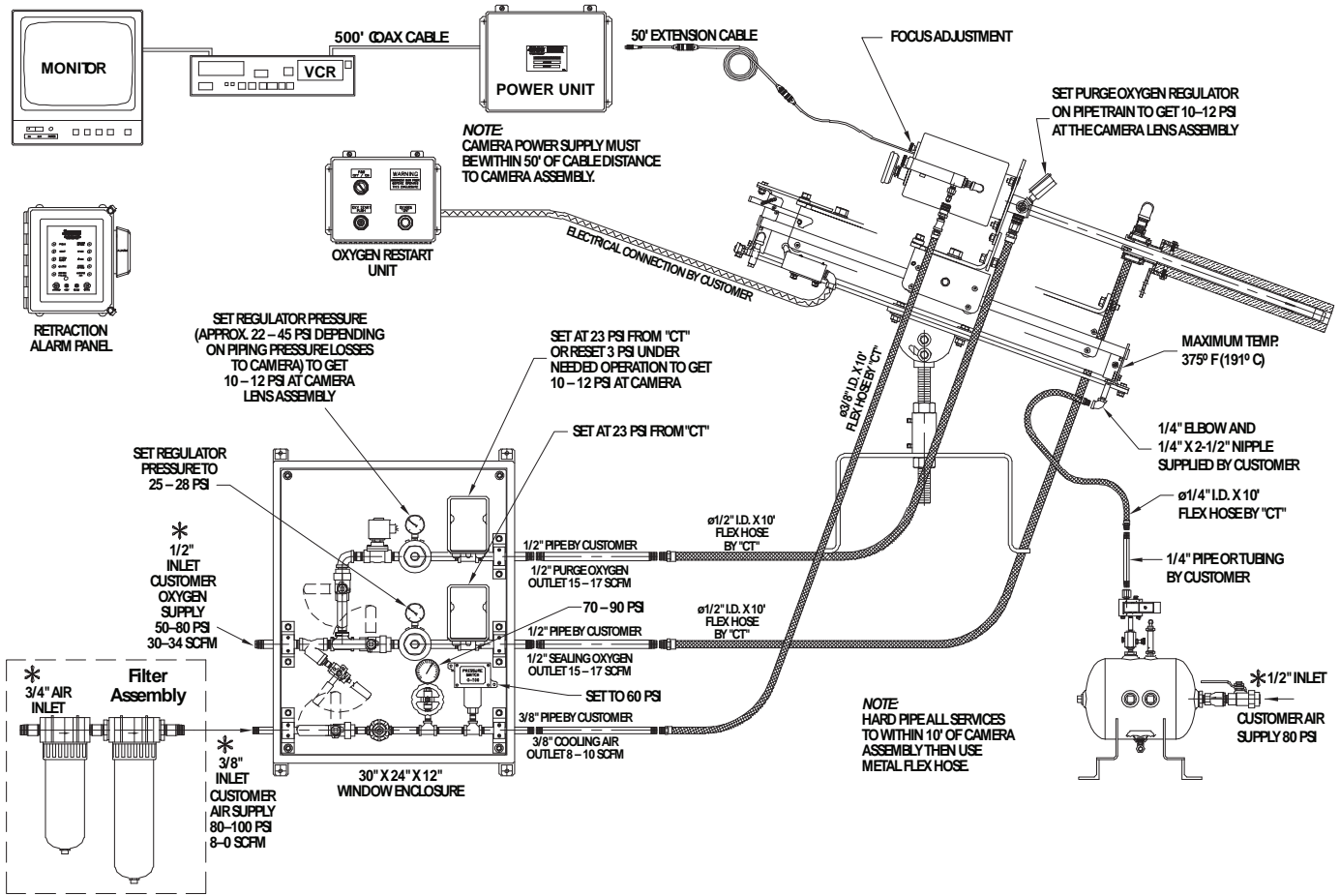
CCTV Series

### Oxygen Cooled Systems

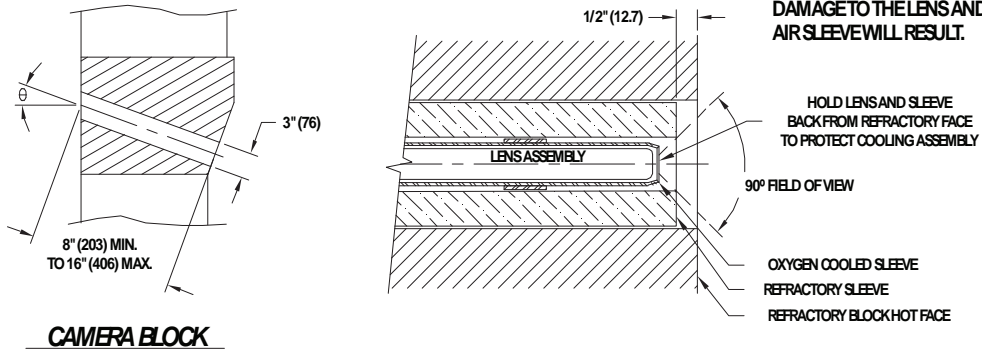
<b>1" Oxygen Cooled Lens with Refractory Sleeve for 3" Camera Block</b>		
Total Instrument Oxygen	30 - 34 scfm, 50 - 80 psig	0.8 - 0.91 Nm <sup>3</sup> /m, 3.44 - 5.51 bar
Lens Purge Oxygen at Camera	15 - 17 scfm, 10 - 12 psig	0.40 - 0.45 Nm <sup>3</sup> /m, 0.7 - 1.0 bar
Lens Sealing Oxygen	15 - 17 scfm, 25 - 28 psig	0.40 - 0.45 Nm <sup>3</sup> /m, 1.7 - 1.9 bar
Camera Cooling Air	8 - 10 scfm, 70 - 90 psig	0.21 - 0.26 Nm <sup>3</sup> /m, 4.8 - 6.2 bar
Retraction Cylinder Oxygen	80 - 100 psig	5.5 - 6.9 bar
<b>1" Oxygen Cooled Lens for 1-1/4" Camera Block</b>		
Total Instrument Oxygen	38 - 44 scfm, 50 - 80 psig	0.8 - 0.91 Nm <sup>3</sup> /m, 3.44 - 5.51 bar
Lens Purge Oxygen at Camera	30 - 34 scfm, 10 - 12 psig	1.0 - 1.18 Nm <sup>3</sup> /m, 0.7 - 1.0 bar
Camera Cooling Air	8 - 10 scfm, 70 - 90 psig	0.21 - 0.26 Nm <sup>3</sup> /m, 4.8 - 6.2 bar
Retraction Cylinder Air	80 - 100 psig	5.5 - 6.9 bar
<b>Power</b>	120 V 50/60 Hz	
	220 V 50/60 Hz	
<b>Video Format Signal</b>	NTSC - color	
	PAL - color	
	EIA - black and white	
	CCIR - black and white	
<b>Monitor</b>	12 inch - black and white	
	13 inch - color	
	Optional larger sizes available	
<b>DVD Recorder</b>	Time lapse video recording	

# System Layout

## 1" Oxygen Cooled Lens with Refractory Sleeve for 3" Camera Block



**CAUTION:**  
IF OXYGEN COOLED SLEEVE IS PUSHED PAST HOT FACE OF THE REFRACTORY BLOCK, DAMAGE TO THE LENS AND AIR SLEEVE WILL RESULT.





## Dimensions and Specifications Common to Both Systems

