

# Furnace Monitoring System

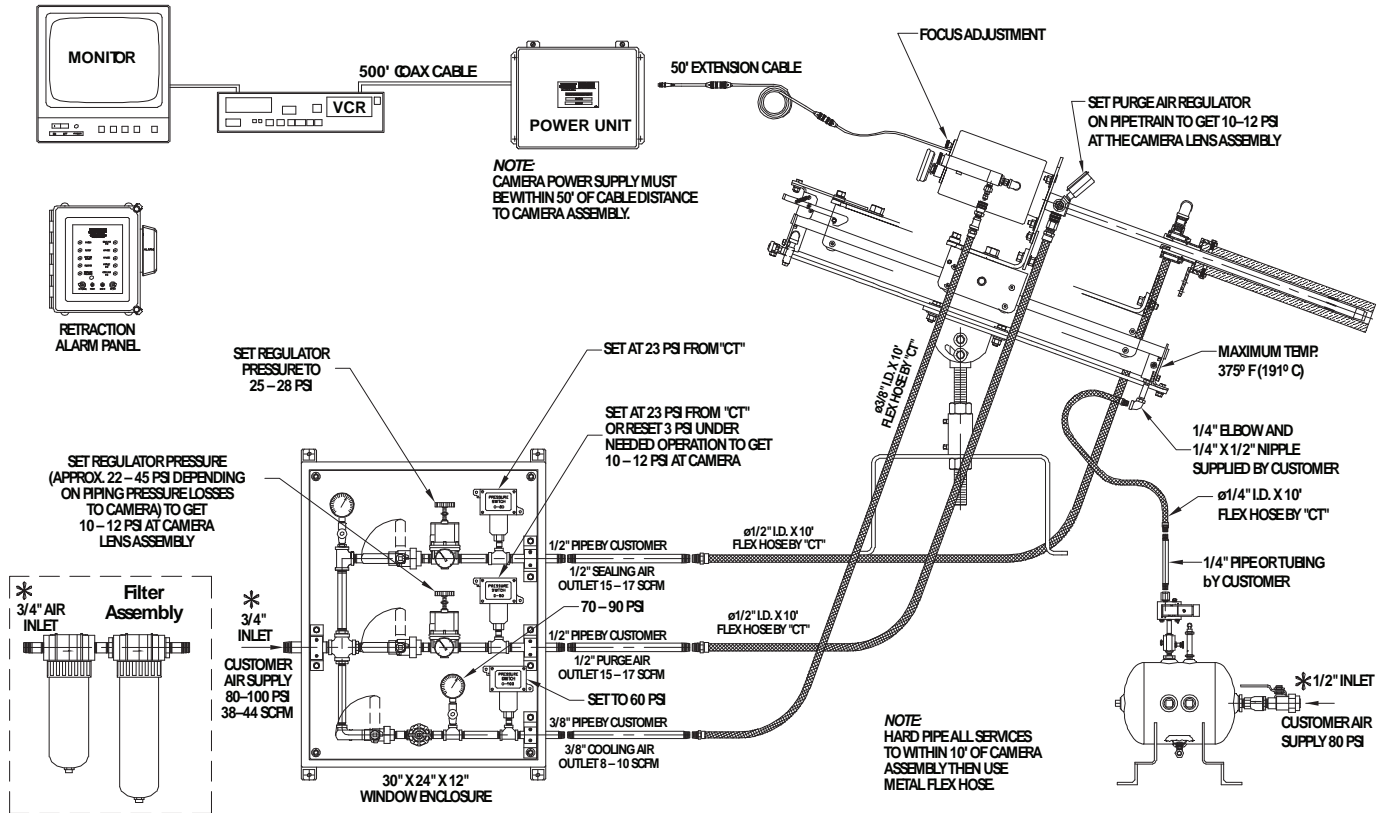
CCTV Series

## Air Cooled Systems

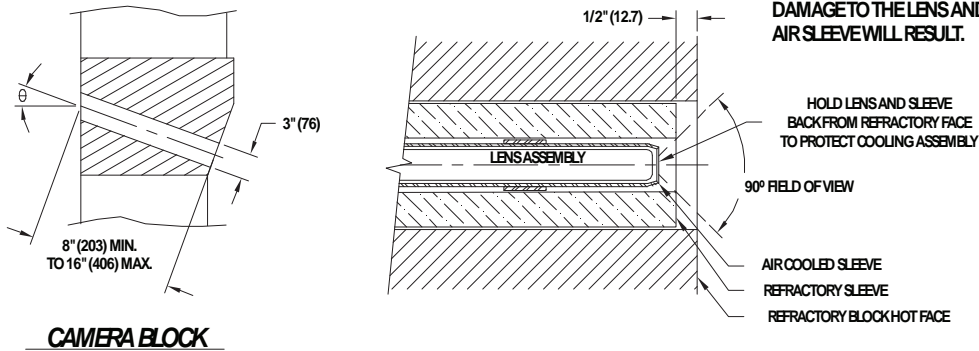
<b>1" Air Cooled Lens with Refractory Sleeve for 3" Camera Block</b>		
Total Instrument Air	38 - 44 scfm, 80 - 100 psig	1.0 - 1.18 Nm <sup>3</sup> /m, 5.5 - 6.9 bar
Lens Purge Air at Camera	15 - 17 scfm, 10 - 12 psig	0.40 - 0.45 Nm <sup>3</sup> /m, 0.7 - 1.0 bar
Lens Sealing Air	15 - 17 scfm, 25 - 28 psig	0.40 - 0.45 Nm <sup>3</sup> /m, 1.7 - 1.9 bar
Camera Cooling Air	8 - 10 scfm, 70 - 90 psig	0.21 - 0.26 Nm <sup>3</sup> /m, 4.8 - 6.2 bar
Retraction Cylinder Air	80 - 100 psig	5.5 - 6.9 bar
<b>1" Air Cooled Lens for 1/4" Camera Block</b>		
Total Instrument Air	38 - 44 scfm, 80 - 100 psig	1.0 - 1.18 Nm <sup>3</sup> /m, 5.5 - 6.9 bar
Lens Purge Air at Camera	30 - 34 scfm, 10 - 12 psig	0.80 - 0.91 Nm <sup>3</sup> /m, 0.7 - 1.0 bar
Camera Cooling Air	8 - 10 scfm, 70 - 90 psig	0.21 - 0.26 Nm <sup>3</sup> /m, 4.8 - 6.2 bar
Retraction Cylinder Air	80 - 100 psig	5.5 - 6.9 bar
<b>Power</b>	120 V 50/60 Hz	
	220 V 50/60 Hz	
<b>Video Format Signal</b>	NTSC - color	
	PAL - color	
	EIA - black and white	
	CCIR - black and white	
<b>Monitor</b>	12 inch - black and white	
	13 inch - color	
	Optional larger sizes available	
<b>DVD Recorder</b>	Time lapse video recording	

# System Layout

## 1" Air Cooled Lens with Refractory Sleeve for 3" Camera Block

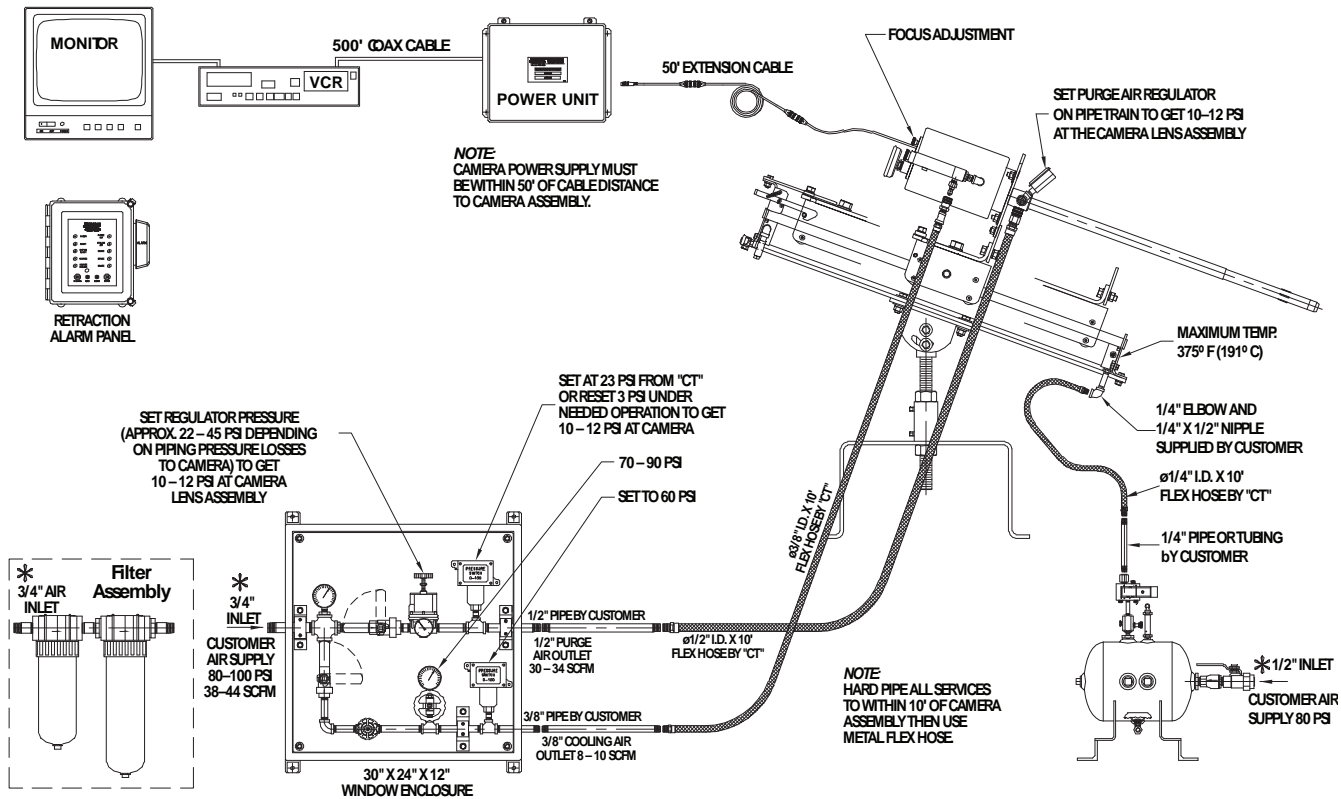


**CAUTION:**  
IF AIR COOLED SLEEVE IS PUSHED PAST HOT FACE OF THE REFRACTORY BLOCK, DAMAGE TO THE LENS AND AIR SLEEVE WILL RESULT.

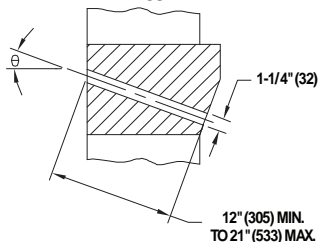


# System Layout

## 1" Air Cooled Lens for 1-1/4" Camera Block

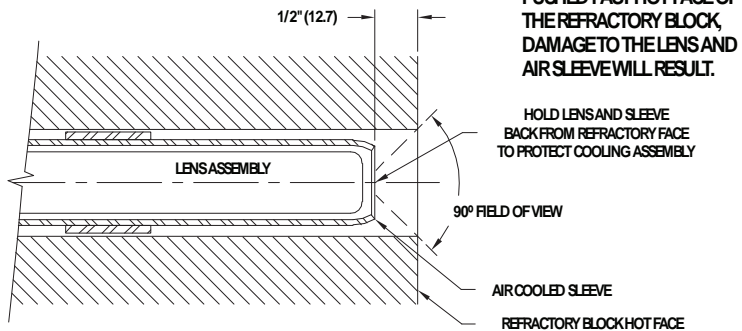


**CAUTION:**  
CAMERA BLOCK HOLE MUST BE Ø-1/4" AND AT LEAST 1/2" DEEP OR DAMAGE TO THE LENS AND AIR SLEEVE WILL RESULT.

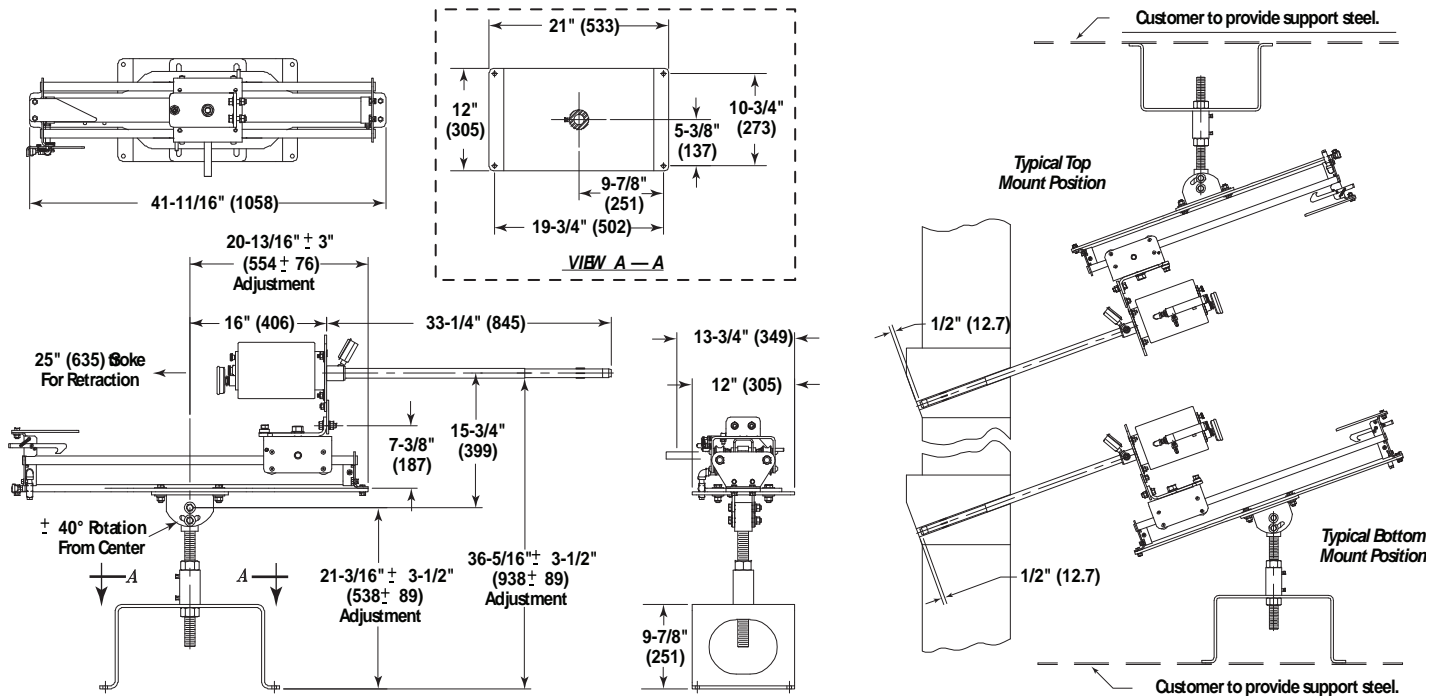


### CAMERA BLOCK

**CAUTION:**  
IF AIR COOLED SLEEVE IS PUSHED PAST HOT FACE OF THE REFRACTORY BLOCK, DAMAGE TO THE LENS AND AIR SLEEVE WILL RESULT.



## Dimensions and Specifications Common to Both Systems



Approximate weight of components illustrated above: 220 lbs. (100 kg)

