

Eclipse Thermocouples

MgO and Industrial Models

MgO Insulated Thermocouples

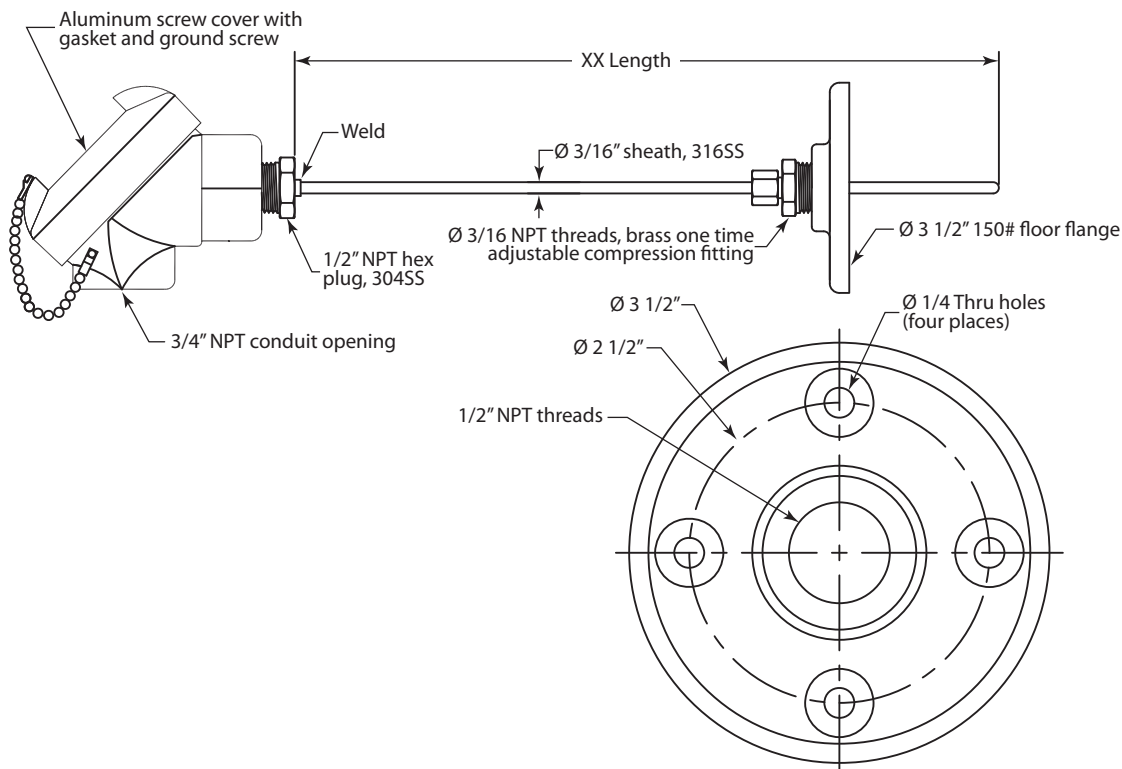
Thermocouple, MgO, single grounded junction, 3/16" diameter, 316SS sheath, adjustable flange and brass compression fitting for 1/2" NPT, cast aluminum screw cover head, standard limits of error.

The thermocouple element is swaged into hard-packed 96% Magnesium Oxide mineral insulation and encased in a fully annealed stainless steel sheath. Their rugged construction makes them more durable, faster responding and capable of higher temperatures than ceramic insulator or fiberglass insulated thermocouples. Use in direct, immersion, or thermowell applications.

They are durable and can be bent into a radius of twice the size of its outer sheath. The flange can be removed for installation into a 1/2" NPT process connection. The insertion length should be greater than 10 times the OD of the sheath.

Part No.	Description
10030762	Type J, 6" long, Max. 1150°F (620°C)
10030763	Type J, 12" long, Max. 1150°F (620°C)
10030764	Type J, 18" long, Max. 1150°F (620°C)
10030765	Type J, 24" long, Max. 1150°F (620°C)
10030766	Type K, 6" long, Max. 1700°F (927°C) *
10030767	Type K, 12" long, Max. 1700°F (927°C) *
10030768	Type K, 18" long, Max. 1700°F (927°C) *
10030769	Type K, 24" long, Max. 1700°F (927°C) *

* Note: Maximum temperature ratings are for oxidizing (air) conditions. For inert atmospheres, the life decreases at temperatures higher than 1700°F (927°C) up until rapid failure at 2100°F (1150°C).



Industrial Thermocouple

Thermocouple, Industrial, single, 1/2" diameter, 8 gauge, 316SS schedule 40 protection tube, adjustable flange, cast iron screw cover head, standard limits of error.

A straight, solid base metal element with oval ceramic insulators rated to 2330°F is assembled into a schedule 40 stainless steel protection tube with connections at a ceramic terminal block. The rugged industrial construction is ideal for medium to high temperature process heating applications.

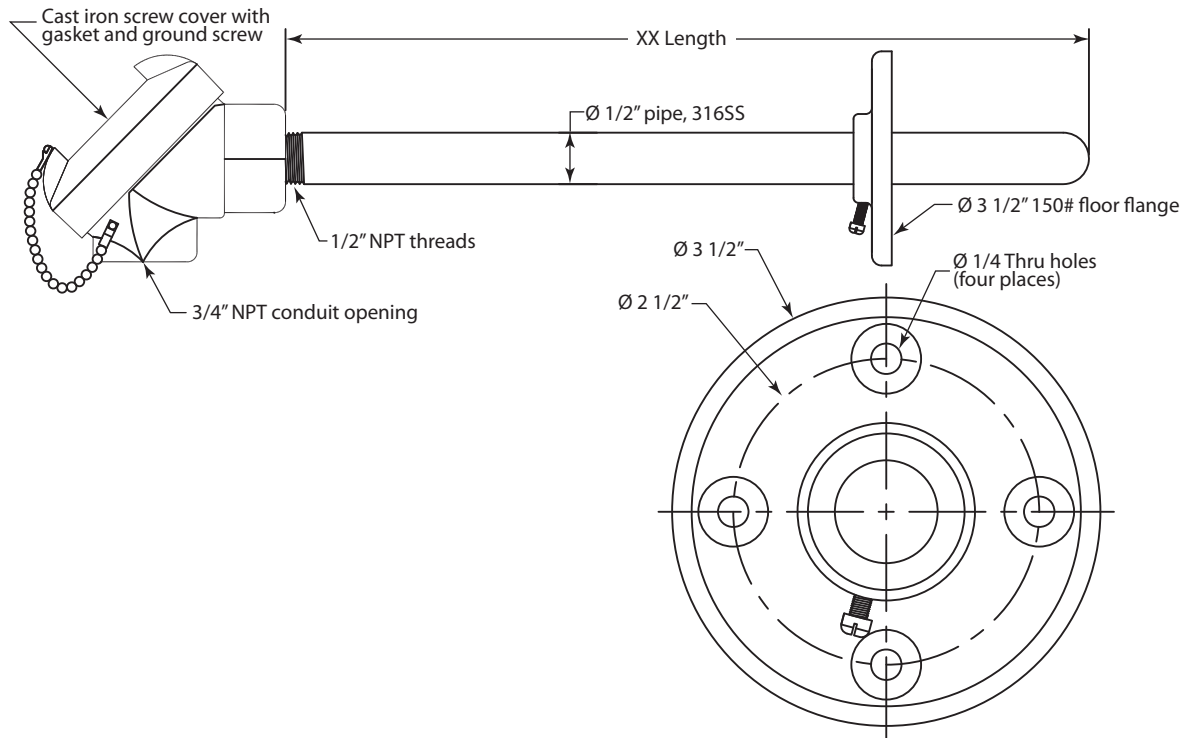
The insertion length should be greater than 10 times the OD of the protection tube.

Part No.	Description
10030770	Type J, 12" long, Max. 1400°F (760°C)
10030771	Type J, 18" long, Max. 1400°F (760°C)
10030772	Type K, 12" long, Max. 1700°F (927°C) *
10030773	Type K, 18" long, Max. 1700°F (927°C) *

* Note: Maximum temperature ratings are for oxidizing (air) conditions. For inert atmospheres, the life decreases at temperatures higher than 1700°F (927°C) up until rapid failure at 2100°F (1150°C).

Same thermocouple as above, except with Inconel 601 schedule 40 protection tube

Part No.	Description
10030774	Type K, 12" long, Max. 2300°F (1260°C)
10030775	Type K, 18" long, Max. 2300°F (1260°C)



Thermocouple Extension Wire

All wire is solid extension-grade polyvinyl with standard limits of error.

Wire cut to length

Part No.	Description
PY15348-10	Type J, 16 gauge
PY15348-11	Type J, 20 gauge
PY15348-12	Type K, 16 gauge
PY15348-13	Type K, 20 gauge

Wire in 250 ft. spool

Part No.	Description
10030754	Type J, 16 gauge
10030755	Type J, 20 gauge
10030756	Type K, 16 gauge
10030757	Type K, 20 gauge



Wire in 100 ft. spool

Part No.	Description
10030750	Type J, 16 gauge
10030751	Type J, 20 gauge
10030752	Type K, 16 gauge
10030753	Type K, 20 gauge

Wire in 500 ft. spool

Part No.	Description
10030758	Type J, 16 gauge
10030759	Type J, 20 gauge
10030760	Type K, 16 gauge
10030761	Type K, 20 gauge

