

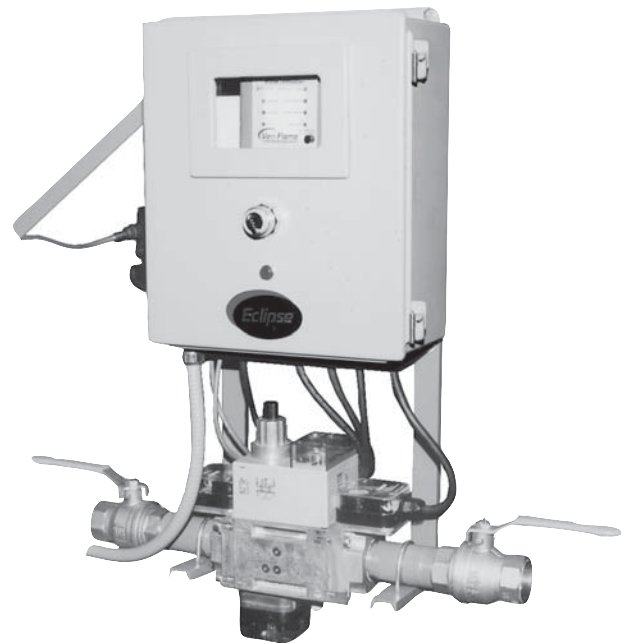


HeatPak

Packaged Burner Options

Version 1

The Eclipse HeatPak is a quick, simple and reliable preconfigured, packaged system for use with Eclipse RatioMatic, ThermAir, RatioAir, Winnox, ImmersoJet and ImmersoPak Burners. Components include Dungs DMV-DLE 702 valve train, Eclipse VeriFlame 5602 modulating single burner monitoring system, GAO-A2 gas pressure switches, CPI 400 position indicator, 7000V ignition transformer and a metal NEMA 12 enclosure. In order to select the HeatPak option, the desired burner must be ordered with an Eclipse Rotary Actuator, an air pressure switch and a flame rod or U.V. scanner. All components of the HeatPak are pre piped and pre wired and will be shipped assembled to the burner for a completely packaged burner system. The included burner support bracket is intended only to provide support during shipment and may not be an adequate means of supporting the HeatPak in the final installation. Customer must provide additional support. HeatPak is available for left hand or right hand burner piping options and can be supplied with upright or inverted burner configurations.

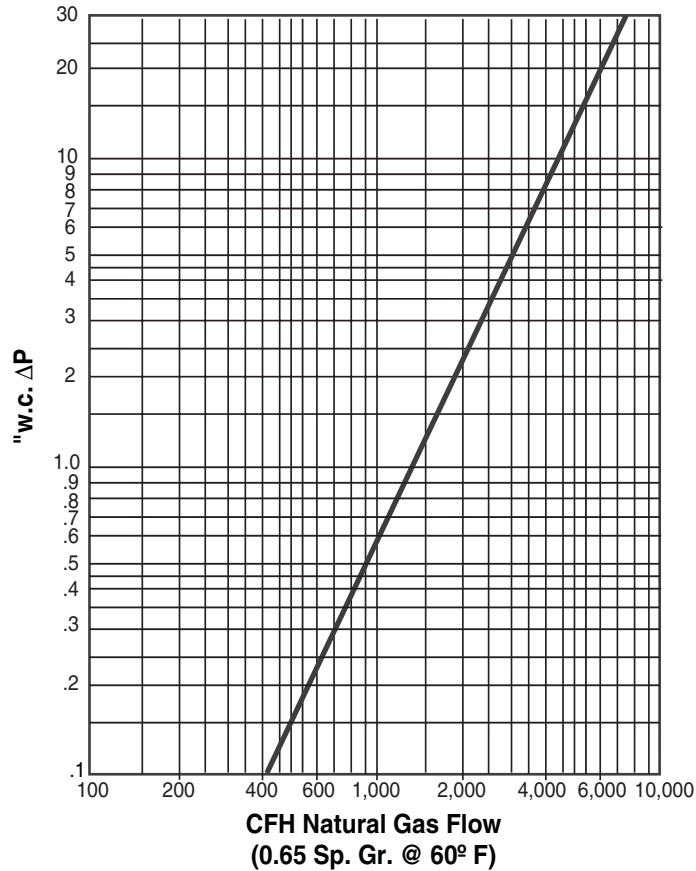


PARAMETER	SPECIFICATIONS
N.P.T. Pipe Interfaces	1/2", 3/4", 1", 1-1/2", 2"
Max. Operating Pressure	7 PSI
Gases	Natural, Propane, Butane (for other gases, consult factory)
Gas Temperature	-40° F to 140° F
Ambient Temperature	0° F to 140° F
Ambient Environment	NEMA 12
Electrical Rating	110-120VAC, 50 to 60Hz
Power Consumption	90VA
Weight	See charts for individual models pages 3 and 4
Approvals	None, Components are UL approved, recognized or meet UL requirements

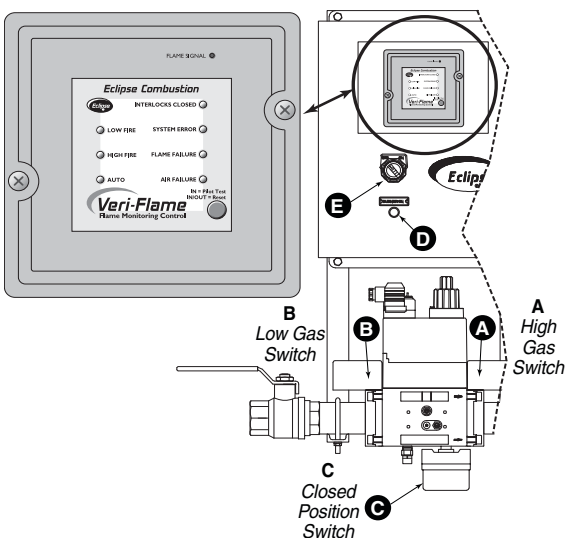
Burner/HeatPak Model Selection

Burner Model	HP Model - (Gas Train Pipe Size in Inches)				
	HP025 (1/2")	HP050 (3/4")	HP100 (1")	HP400 (1-1/2")	HP600 (2")
RatioMatic (RM)		050	075, 100	200, 300	400, 500
RatioAir (RA)	025	040	075, 100	200, 300	500
ThermAir (TA)	015, 025	040	075, 100	200, 300	400, 500
Winox (WX)			100	200, 300, 400	500, 600
ImmersoJet (IJ)		002	003	004, 006	008
ImmersoPak (IP)	004		005, 006	008	010, 012

Capacities

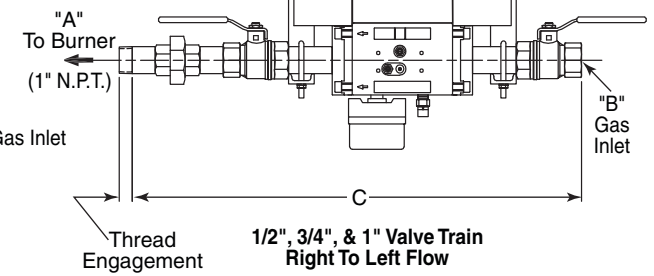
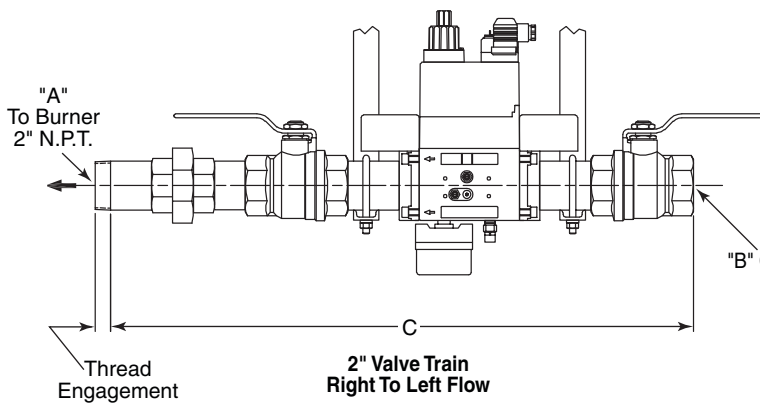
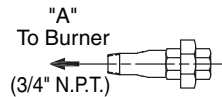
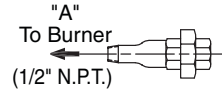
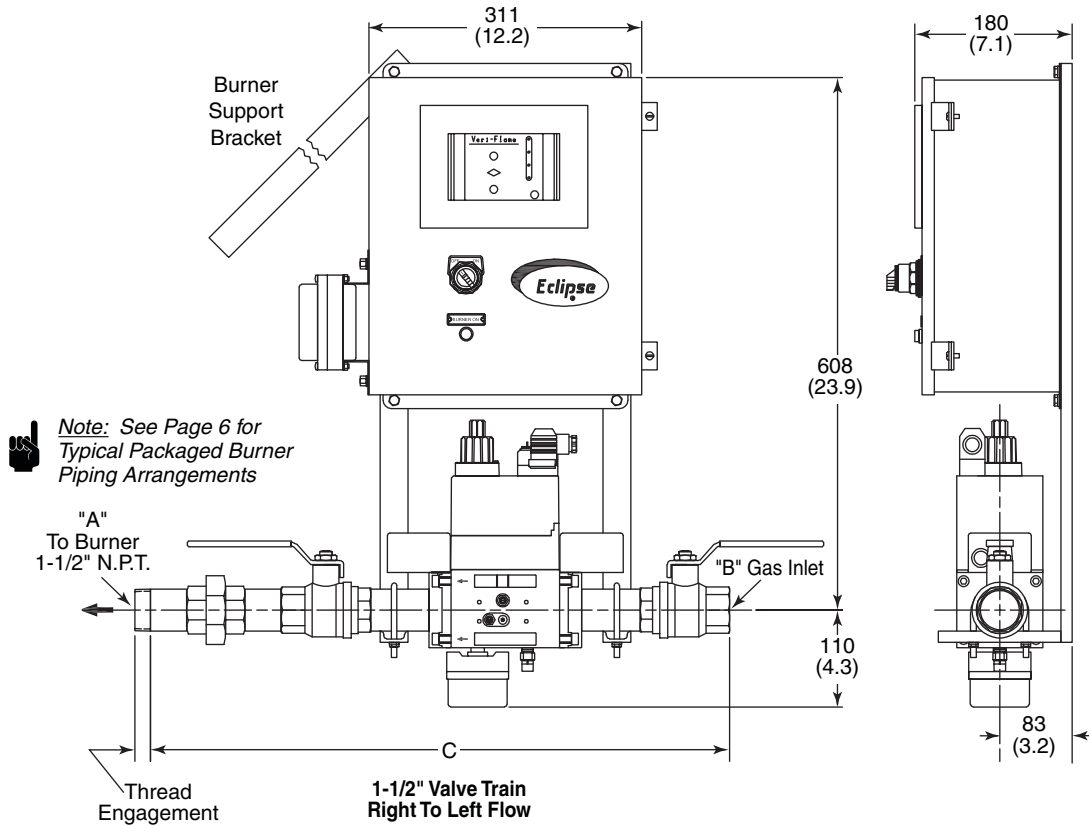


Sequence of Operation



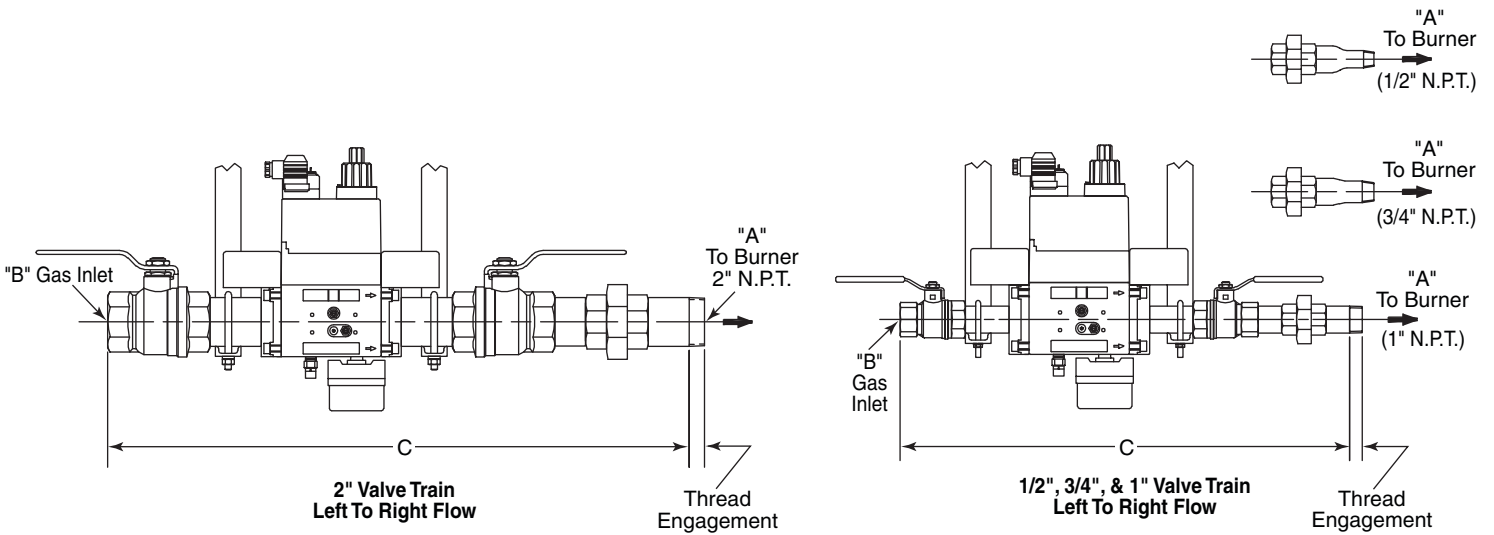
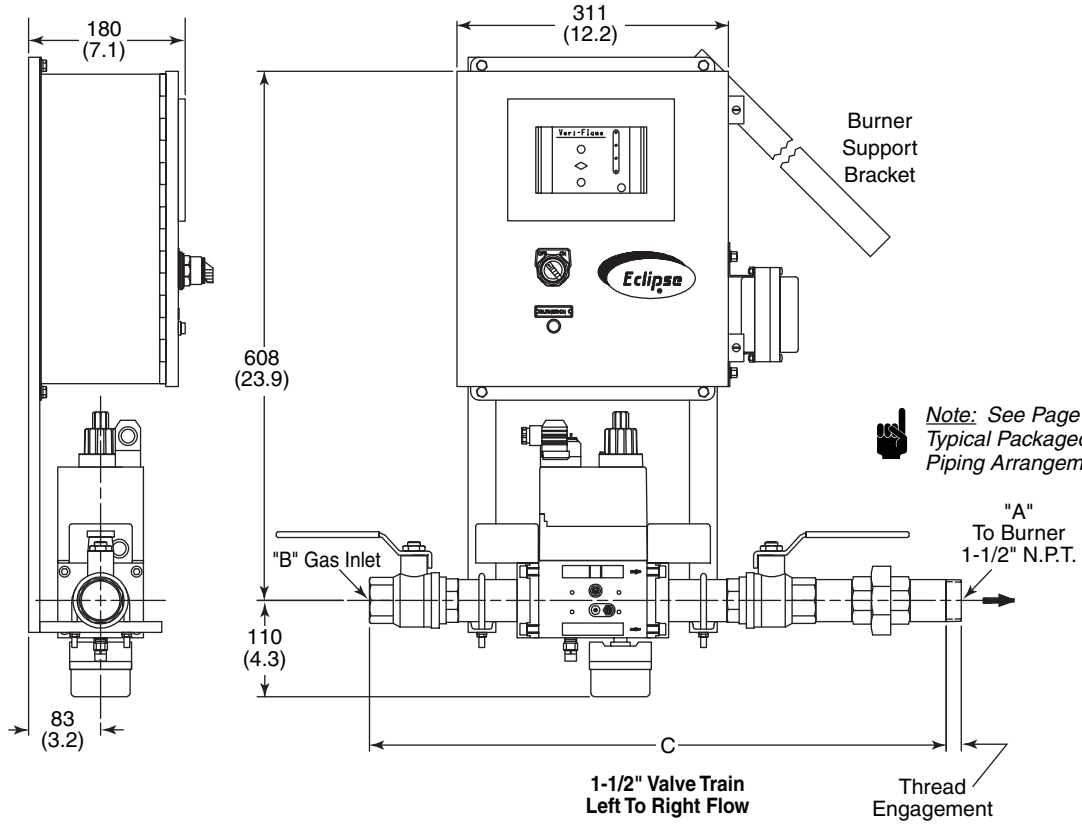
1. With power applied, the Eclipse actuator displays position.
2. Turn control box switch **E** on
3. If customer provided interlock (or jumper 3) are made, and the low and high gas pressure switches (**A** & **B**) are made, then the INTERLOCKS CLOSED light on the Veri-Flame comes on.
4. The Veri-Flame energizes the motor (or motor starter), and then checks for combustion air pressure switch.
5. The LOW FIRE light on the Veri-Flame turns off and the HIGH FIRE light turns on.
6. The actuator rotates to high fire.
7. The Veri-Flame finishes the set purge time and turns on the LOW FIRE light.
8. The actuator rotates to low fire.
9. The spark and main gas valve **C** are energized.
10. The Veri-Flame flame on light (FLAME SIGNAL) comes on when lit.
11. After a time, the control panel light **D** turns on, then the LOW FIRE light turns off and the AUTO light comes on. Now the actuator will respond to a control signal (temperature controller).

Dimensions mm (inches) (Right Hand Piping)



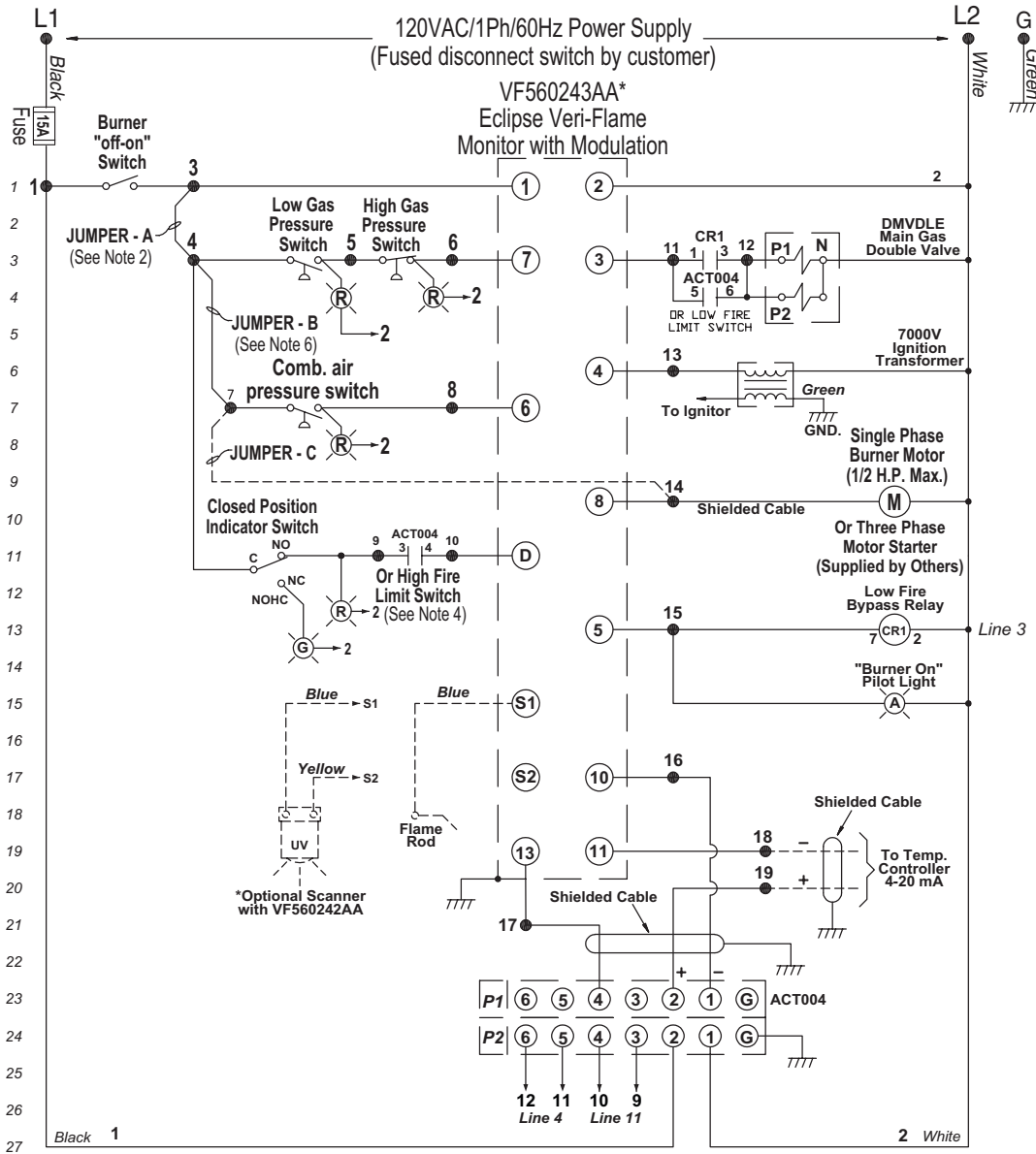
HeatPak Model	"A" N.P.T.	"B" N.P.T.	C	Weight (lbs.) kg
HP025	1/2	1	710 (28.0)	57 (26)
HP050	3/4	1	661 (26.0)	57 (26)
HP100	1	1	556 (21.8)	57 (26)
HP400	1-1/2	1-1/2	574 (22.6)	60 (27)
HP600	2	2	575.5 (22.7)	63 (29)

Dimensions mm (inches) (Left Hand Piping)



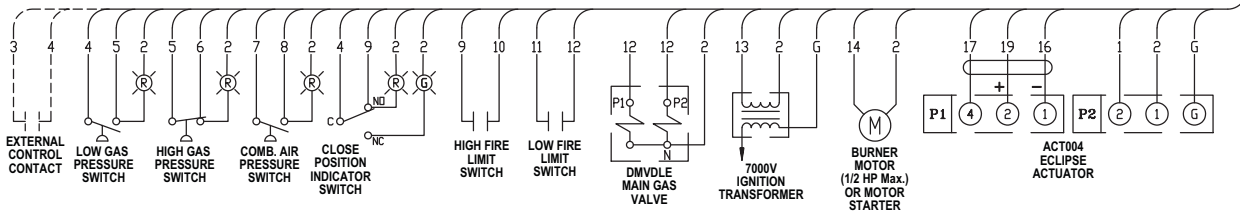
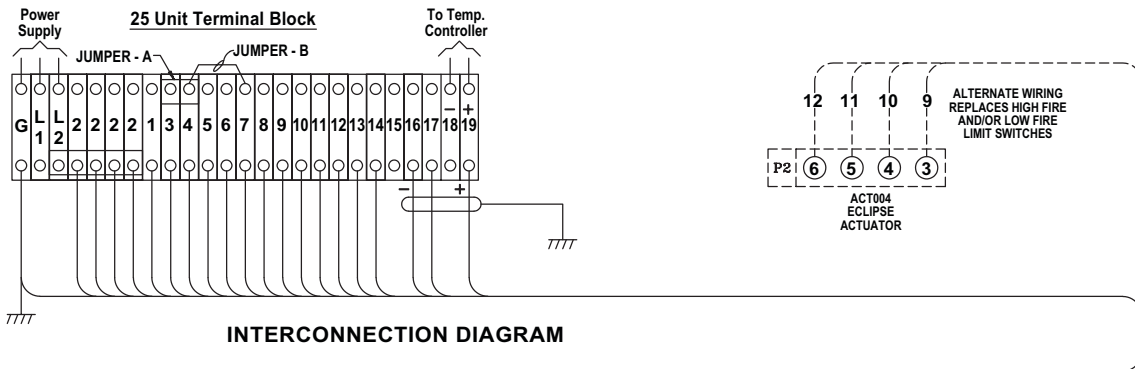
HeatPak Model	"A" N.P.T.	"B" N.P.T.	C	Weight (lbs.) kg
HP025	1/2	1	710 (28.0)	57 (26)
HP050	3/4	1	661 (26.0)	57 (26)
HP100	1	1	556 (21.8)	57 (26)
HP400	1-1/2	1-1/2	574 (22.6)	60 (27)
HP600	2	2	575.5 (22.7)	63 (29)

Wiring



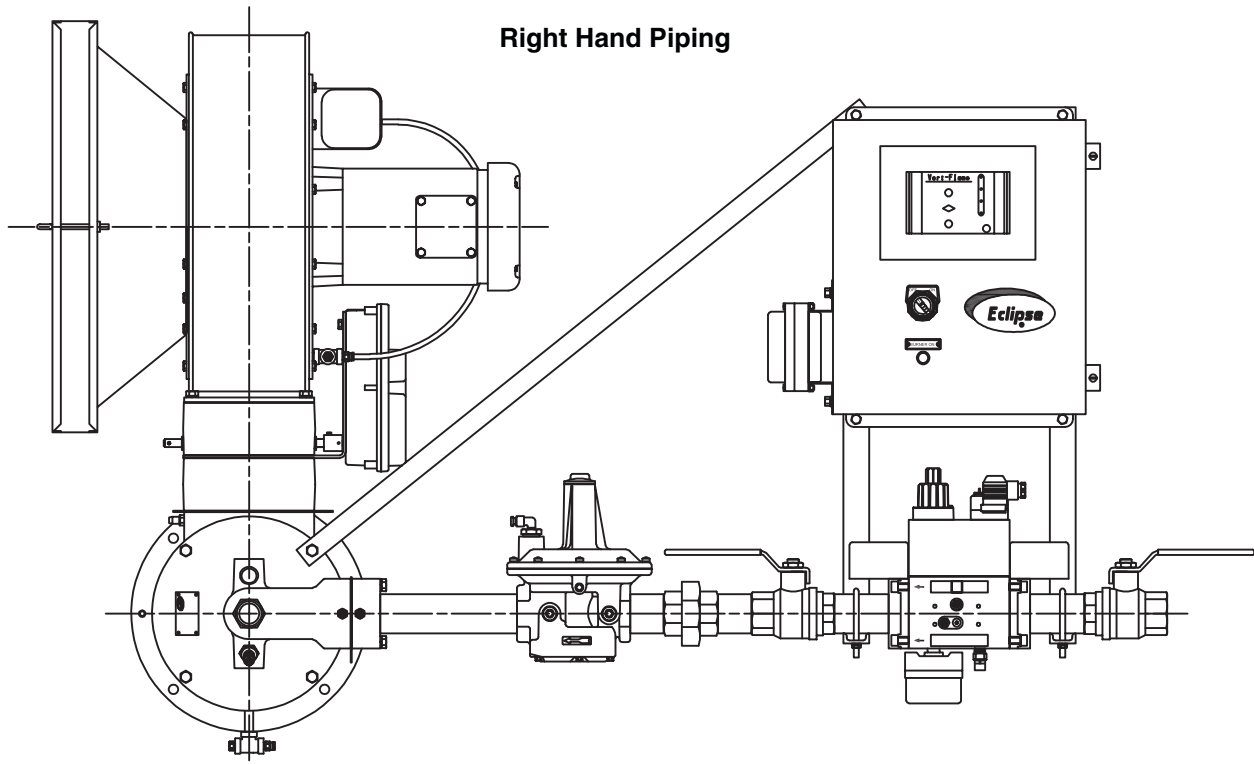
- NOTES:**
1. INCOMING POWER LINES MARKED (L1 & L2) MUST BE CONNECTED TO THE 120VAC POTENTIAL THE NEUTRAL (L2) WIRE MUST BE BONDED TO GROUND AT ITS SOURCE
 2. EXTERNAL LIMIT CONTROL, TIMER, CLOCK OR OTHER REMOTE CONTROL DEVICE AS REQUIRED, TO BE SUPPLIED BY CUSTOMER (CONNECT BETWEEN TERMINALS "3" & "4" AND REMOVE JUMPER-A)
 3. INSTALLATION, OPERATION AND MAINTENANCE SHALL CONFORM WITH NATIONAL FIRE PROTECTION ASSOCIATION STANDARDS NATIONAL AND LOCAL CODES, AND AUTHORITIES HAVING JURISDICTION
 4. CUT RED WIRE IN VERI-FLAME BASE TO ACTIVATE HIGH FIRE SWITCH
 5. CONNECT ALL GROUND & SHIELD WIRES AND WIRE TERMINAL "G" TO GROUND STUD ON SUB-PANEL
 6. FOR REMOTE MOTOR STARTER (NOT DRIVEN BY VERIFLAME TERMINAL "8") REMOVE JUMPER-B AND ADD JUMPER-C BETWEEN TERMINALS "7" & "14"

KEY: ● — Terminal number on Eclipse terminal block.



Typical Packaged Burner Arrangement

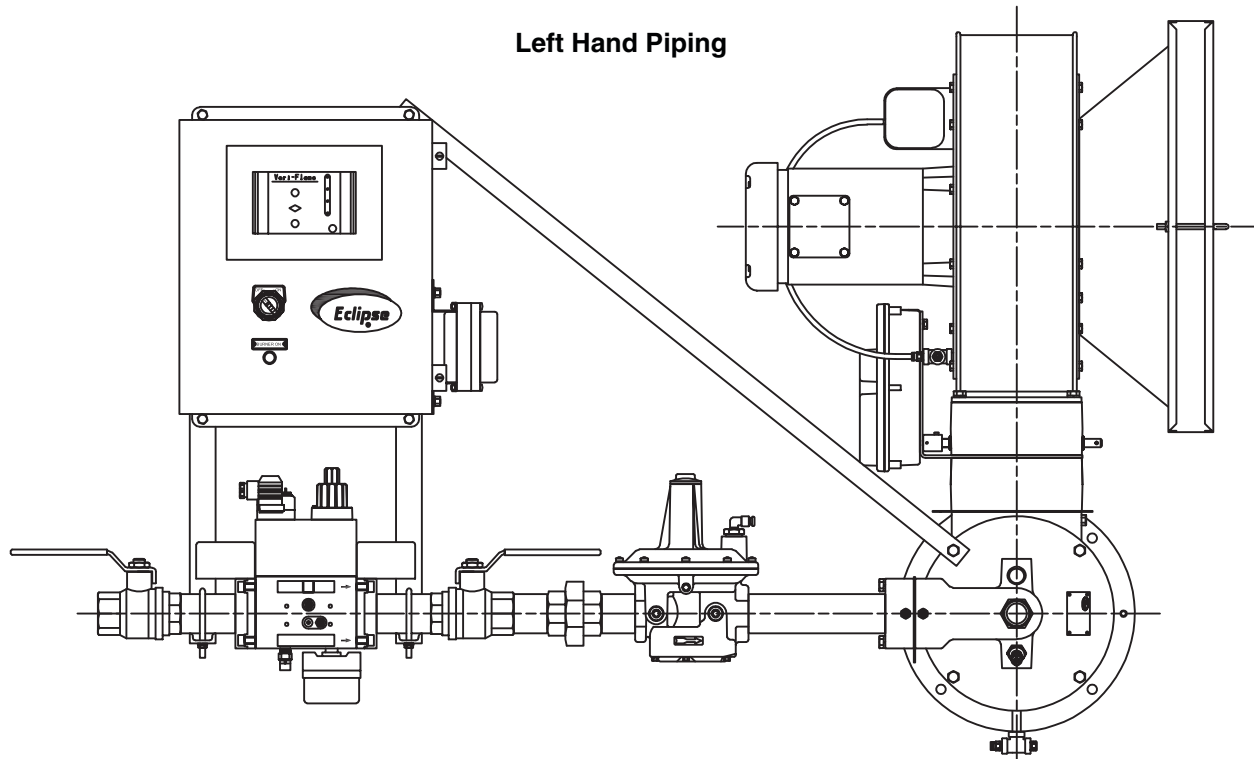
Right Hand Piping



IP008 ImmersoPak v2.0 Burner

HP400 HeatPak

Left Hand Piping



HP400 HeatPak

IP008 ImmersoPak v2.0 Burner



Eclipse Combustion

www.eclipsenet.com

ISO 9001 Registered