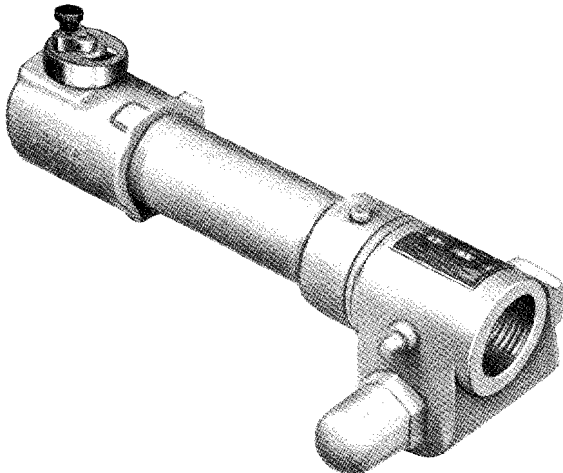


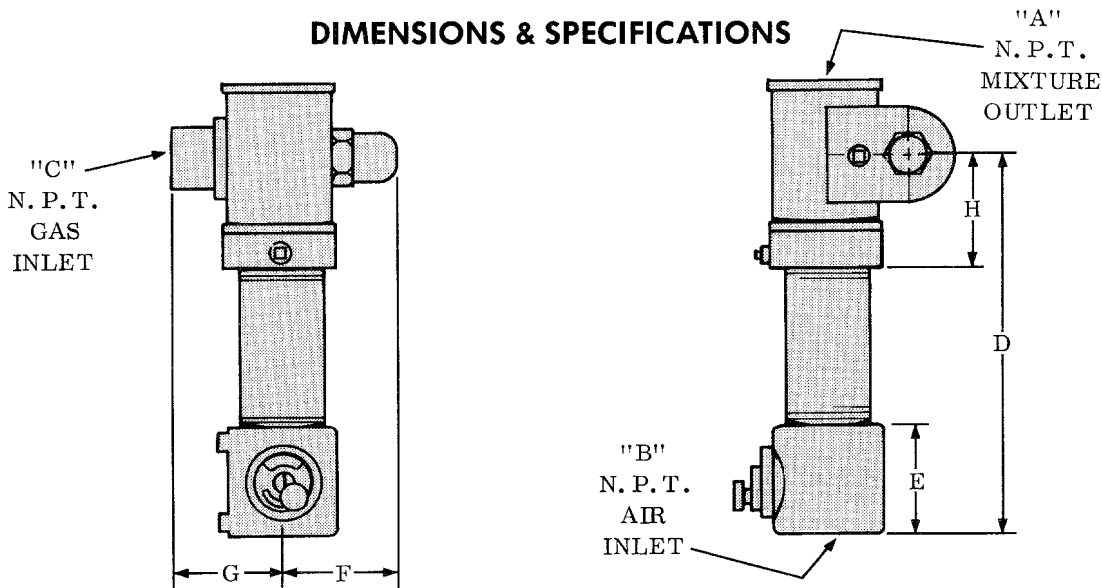
Eclipse Mixing Tees

Series TVT



Eclipse Mixing Tees provide two valve control for the mixing of low pressure gas and air. The mixer consists of an Eclipse ALO-R valve, with integral ratio adjuster for control of the gas, an air butterfly valve, and an air jet sized for air capacity required in the system. Capacities will vary according to the gas and air pressures available and the allowable pressure drop. The jet size will be selected by the factory, based on gas and air pressures and the Btu of the gas used. A tight shut-off valve for the gas inlet may be selected from Bulletin M-101.

DIMENSIONS & SPECIFICATIONS



CATALOG NUMBER	ASSEMBLY NUMBER	DIMENSIONS IN INCHES								AIR JET SIZE RANGE - MTD.*
		A	B	C	D	E	F	G	H	
44-17 TVT	302075	1	1	1	9-5/32	2-7/8	2-19/32	2-5/16	2-17/32	#10 - #16
64-16 TVT	302076	1-1/2	1-1/2	1	10-7/32	3-1/8	3	2-5/8	2-21/32	#12 - #25
66-24 TVT	302077	1-1/2	1-1/2	1-1/2	10-7/32	3-1/8	3	2-1/2	2-21/32	#12 - #25
84-16 TVT	302078	2	2	1	13	3-1/8	3-15/16	3-1/8	3-3/8	#20 - #38
86-24 TVT	302079	2	2	1-1/2	13	3-1/8	3-15/16	3	3-3/8	#20 - #38
124-24 TVT	302080	3	3	1	15-11/16	3-7/8	2-1/8	3-11/16	4-13/16	#32 - #56
126-24 TVT	302081	3	3	1-1/2	15-11/16	3-7/8	2-1/8	3-1/2	4-13/16	#32 - #56
166-24 TVT	302082	4	4	1-1/2	19-11/16	5	2-3/8	4-1/2	4-15/16	#36 - #80
168-30 TVT	302083	4	4	2	19-11/16	5	2-3/8	4-1/4	4-15/16	#36 - #80

*Air jet numbers indicate 1/32". For example, #32 = 32 x 1/32" = 1"

CATALOG NUMBER EXAMPLE

